



US00D584081S

(12) **United States Design Patent**
Vestweber

(10) **Patent No.:** **US D584,081 S**
(45) **Date of Patent:** **** Jan. 6, 2009**

(54) **SEAT FRAME**
(75) Inventor: **Nikki Vestweber**, Manhattan, KS (US)
(73) Assignee: **Cushion Seats, Inc.**, Manhattan, KS (US)

2,545,840 A 3/1951 Browne
2,558,315 A 6/1951 Pavey
2,571,282 A 10/1951 Newton
2,725,925 A 12/1955 Sanderson
2,736,365 A 2/1956 Hines

(Continued)

(**) Term: **14 Years**

Primary Examiner—Sandra Snapp
(74) *Attorney, Agent, or Firm*—McAndrews, Held & Malloy, Ltd.

(21) Appl. No.: **29/234,923**

(22) Filed: **Jul. 25, 2005**

(57) **CLAIM**

(51) **LOC (9) Cl.** **06-01**

The ornamental design for a seat frame, as substantially shown and described.

(52) **U.S. Cl.** **D6/500**

(58) **Field of Classification Search** D6/349–355,
D6/363–364, 484, 495, 500–502, 335, 458,
D6/487, 511; 297/195.1, 195.11, 16.1, 118,
297/16.2, 175, 187, 462, 215.16, 219.11,
297/423.1, 423.39, 423.41, 423.43, 461;
108/53.3, 115, 150; 248/325, 250; 211/119.003,
211/134, 153; D8/381

See application file for complete search history.

DESCRIPTION

FIG. 1 is a perspective view of a first embodiment of a seat frame showing my new design;
FIG. 2 is a right side elevation view thereof;
FIG. 3 is a left side elevation view thereof;
FIG. 4 is a top plan view thereof;
FIG. 5 is a front side elevation view thereof;
FIG. 6 is a perspective view of a second embodiment thereof;
FIG. 7 is a right side elevation view thereof;
FIG. 8 is a left side elevation view thereof;
FIG. 9 is a top plan view thereof; and,
FIG. 10 is a front side elevation view thereof.

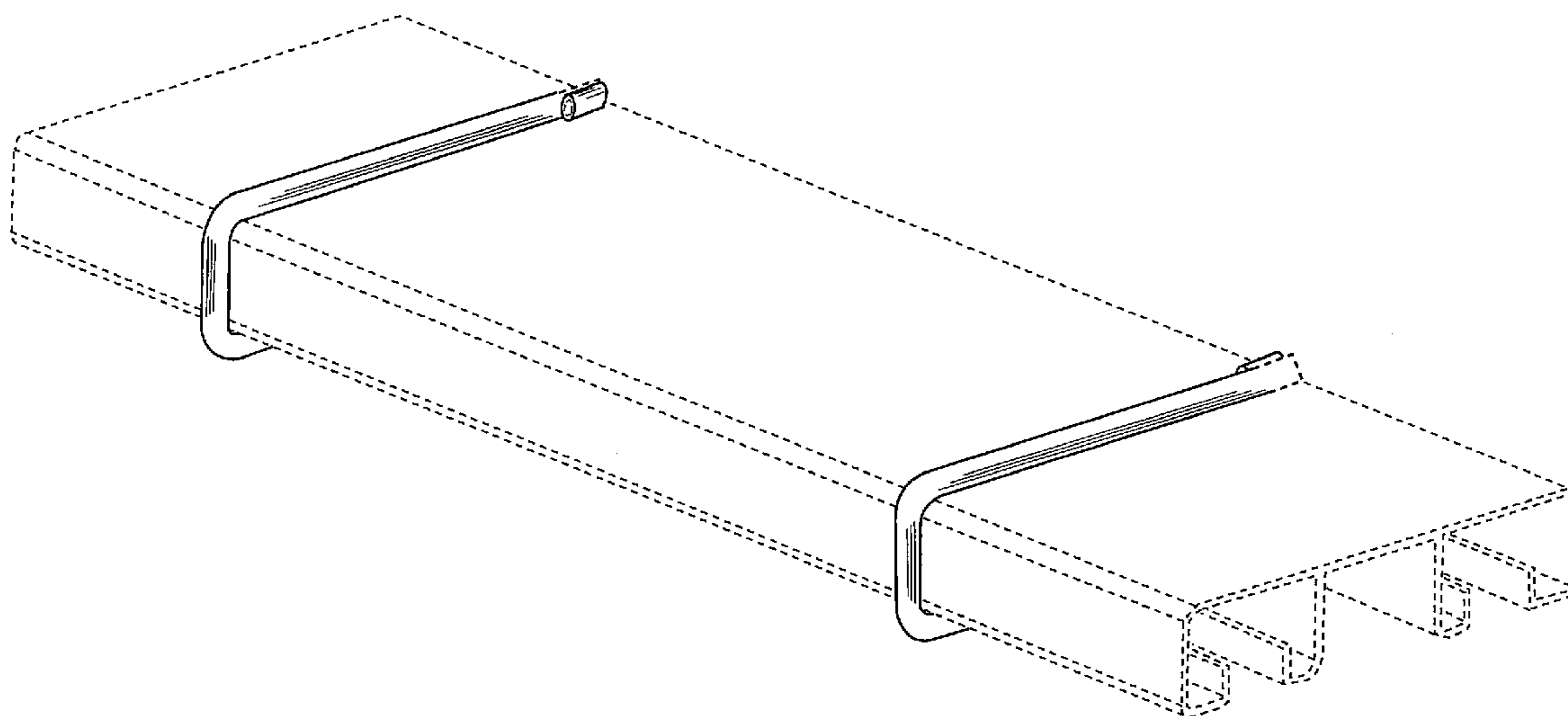
The broken lines in the drawings, indicating that no particular shape is being claimed, represent environmental subject matter and form no part of the claimed design. The pairs of adjacently spaced jagged, broken lines form no portion of the claimed design and the portions between such pairs of adjacently spaced jagged, broken lines are broken away to disclose indeterminate length.

(56) **References Cited**

U.S. PATENT DOCUMENTS

116,934 A	7/1871	Cutter	
653,105 A	7/1900	MacLeay	
816,545 A	3/1906	Field	
1,213,762 A	1/1917	Dunn	
1,293,778 A	2/1919	Holm	
1,515,564 A	11/1924	Field	
2,004,237 A	6/1935	Costello	
2,046,198 A	6/1936	Letts	
2,059,493 A	11/1936	Schoenhoff	
2,137,312 A *	11/1938	Thompson	297/252
2,276,308 A *	3/1942	Hugh	446/482
2,287,611 A *	6/1942	Harbison	312/313
2,475,962 A	7/1949	Horn	
2,491,784 A *	12/1949	Thompson	297/252

1 Claim, 6 Drawing Sheets



US D584,081 S

Page 2

U.S. PATENT DOCUMENTS

2,792,875	A	5/1957	Pirrone				
2,816,871	A	12/1957	Fish				
2,865,433	A	12/1958	Warner				
2,954,125	A *	9/1960	Husted	108/62			
3,026,142	A	3/1962	Holloway				
3,066,980	A	12/1962	Clute				
3,153,526	A *	10/1964	Pawsey	248/219.1			
3,279,620	A *	10/1966	Nesbitt	211/106.01			
3,288,414	A *	11/1966	Fortunato	248/222.12			
3,393,888	A *	7/1968	Henningsgard	248/230.8			
D216,158	S *	11/1969	Williams	D25/68			
3,672,624	A *	6/1972	Keller	248/243			
3,675,882	A *	7/1972	Dibble	248/235			
3,695,569	A *	10/1972	Pullan	248/235			
3,797,790	A *	3/1974	Iseki	248/230.2			
3,900,110	A *	8/1975	Soroka	211/113			
3,994,529	A	11/1976	Lippert				
4,036,369	A *	7/1977	Eisenberg	211/88.02			
4,094,415	A *	6/1978	Larson	211/57.1			
4,269,381	A *	5/1981	Harms	248/465.1			
4,367,819	A *	1/1983	Lewis	211/59.1			
4,469,031	A *	9/1984	Haycock	108/147.17			
4,688,683	A *	8/1987	Thalenfeld et al.	211/57.1			
4,809,941	A *	3/1989	Sheridan	248/249			
4,898,355	A *	2/1990	Steinway	248/235			
5,044,505	A *	9/1991	Spratt	211/22			
D337,938	S *	8/1993	Shaw et al.	D8/380			
D344,868	S *	3/1994	Martinell	D6/552			
5,388,709	A *	2/1995	Adams	211/70.6			
5,533,219	A	7/1996	Meyers				
5,842,581	A *	12/1998	Graefe	211/17			
D417,353	S *	12/1999	Laga	D6/566			
D423,269	S *	4/2000	Laga et al.	D6/566			
D427,824	S *	7/2000	Osburn et al.	D6/511			
6,209,837	B1 *	4/2001	Harms	248/302			
6,352,306	B1	3/2002	Dreiling				
6,502,902	B1	1/2003	Romero				
6,581,789	B1 *	6/2003	Spanski et al.	211/106			
6,592,187	B2	7/2003	Calvery				
6,739,667	B1	5/2004	Jones				
6,823,999	B2 *	11/2004	Heneveld, Sr.	211/87.01			
6,926,360	B2	8/2005	Jones				
7,104,605	B2	9/2006	Jones				
2005/0127731	A1	6/2005	Jones				

* cited by examiner

Fig. 1

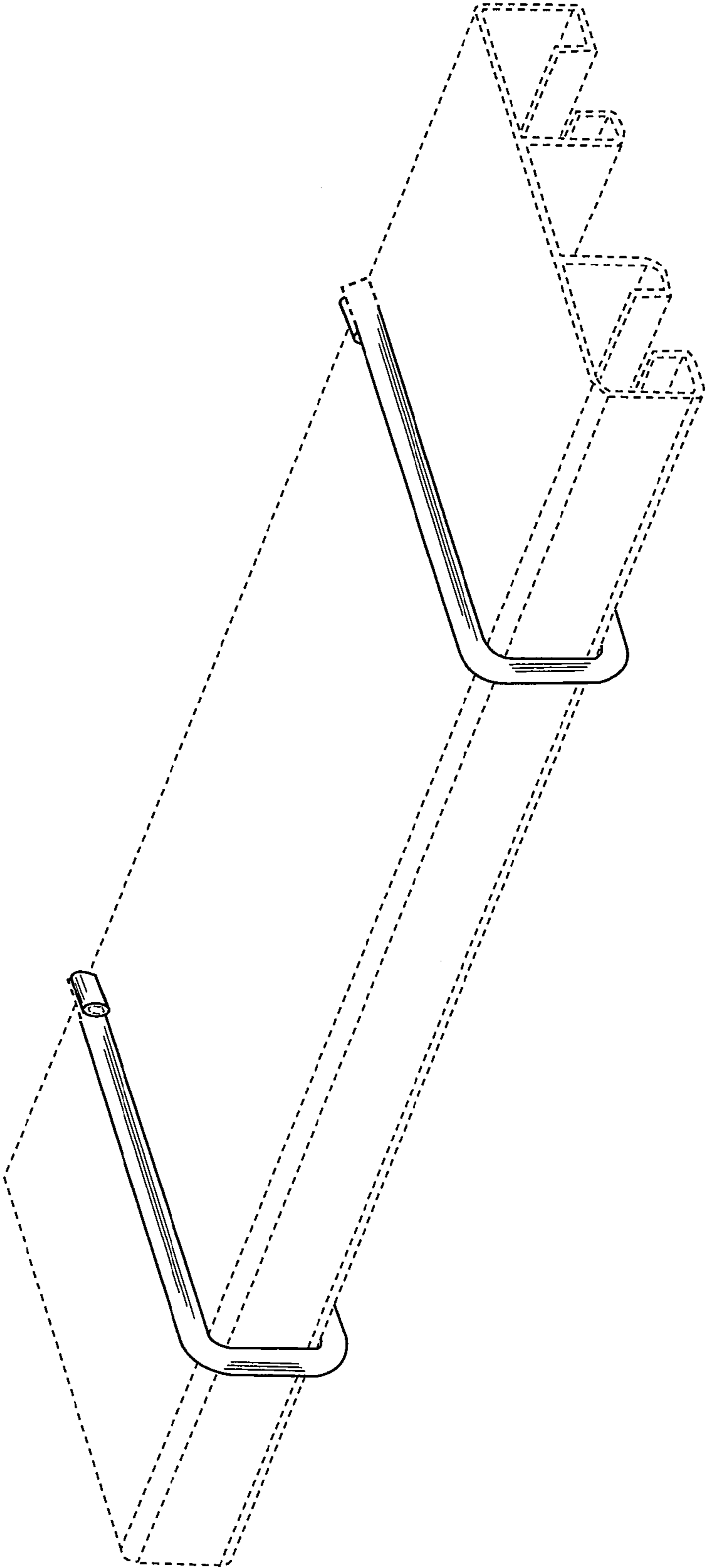


Fig. 3

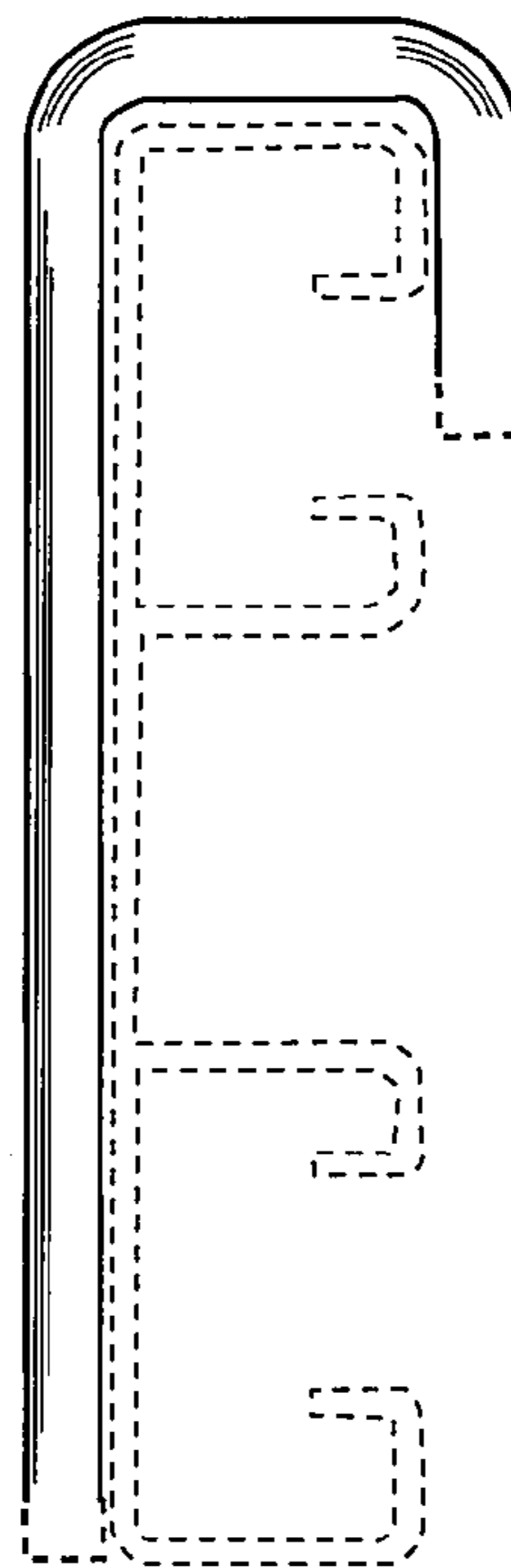


Fig. 2

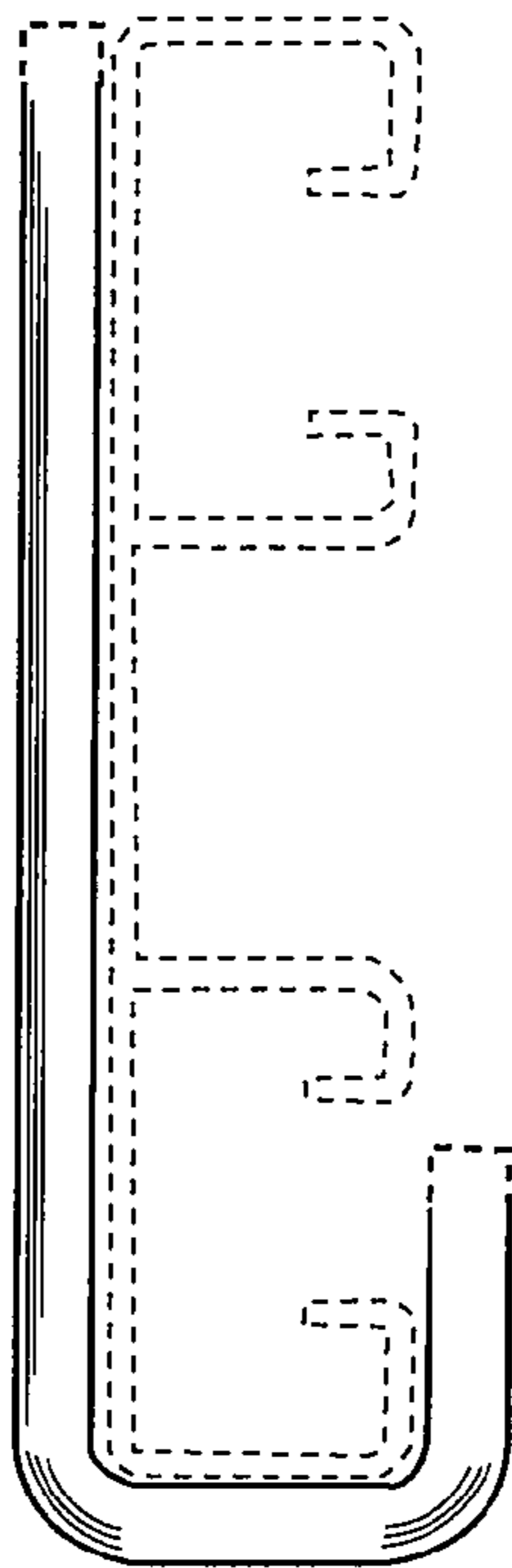


Fig. 4

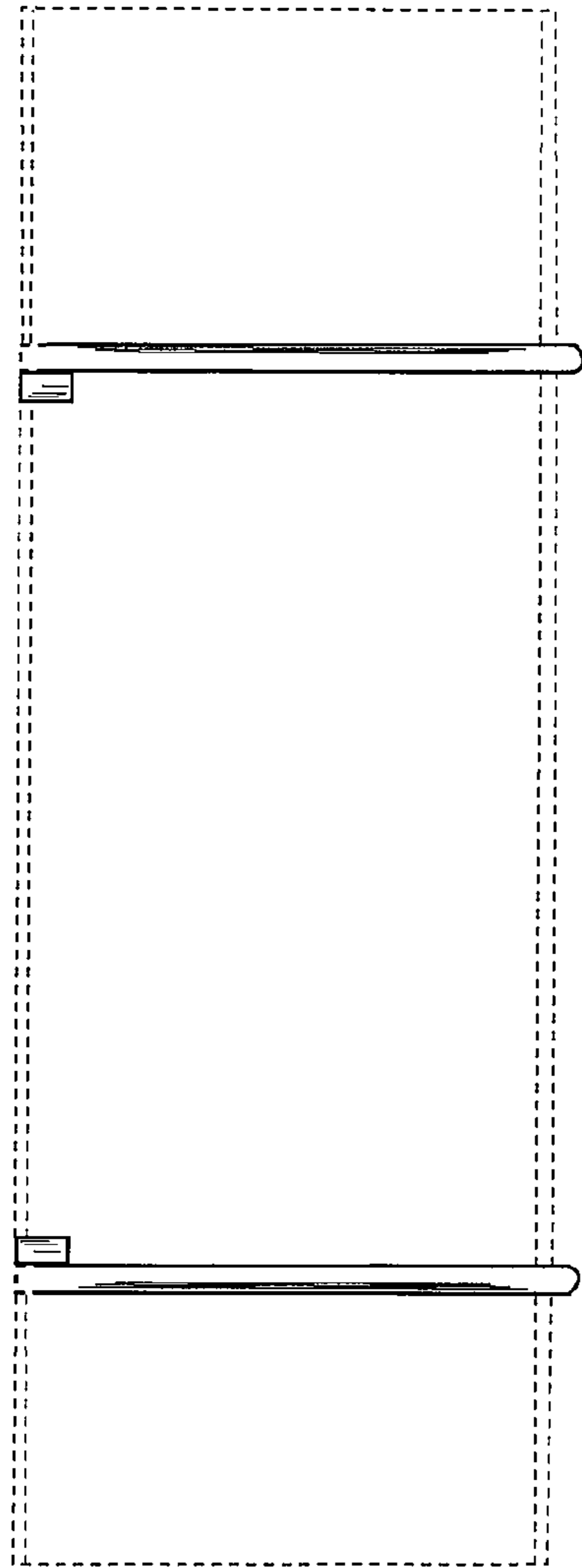


Fig. 5

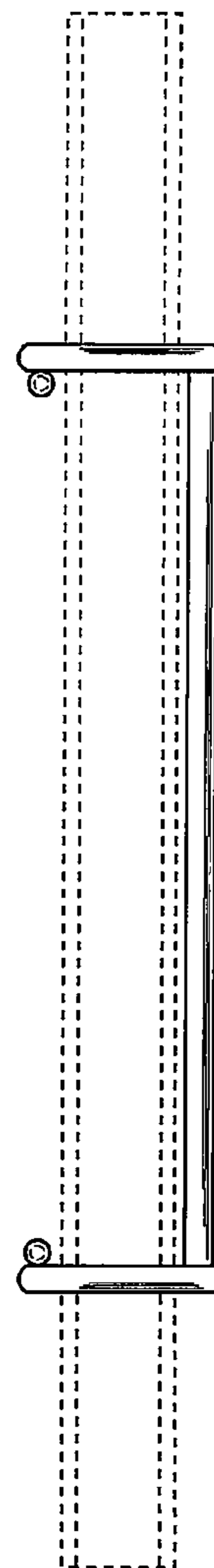


Fig. 6

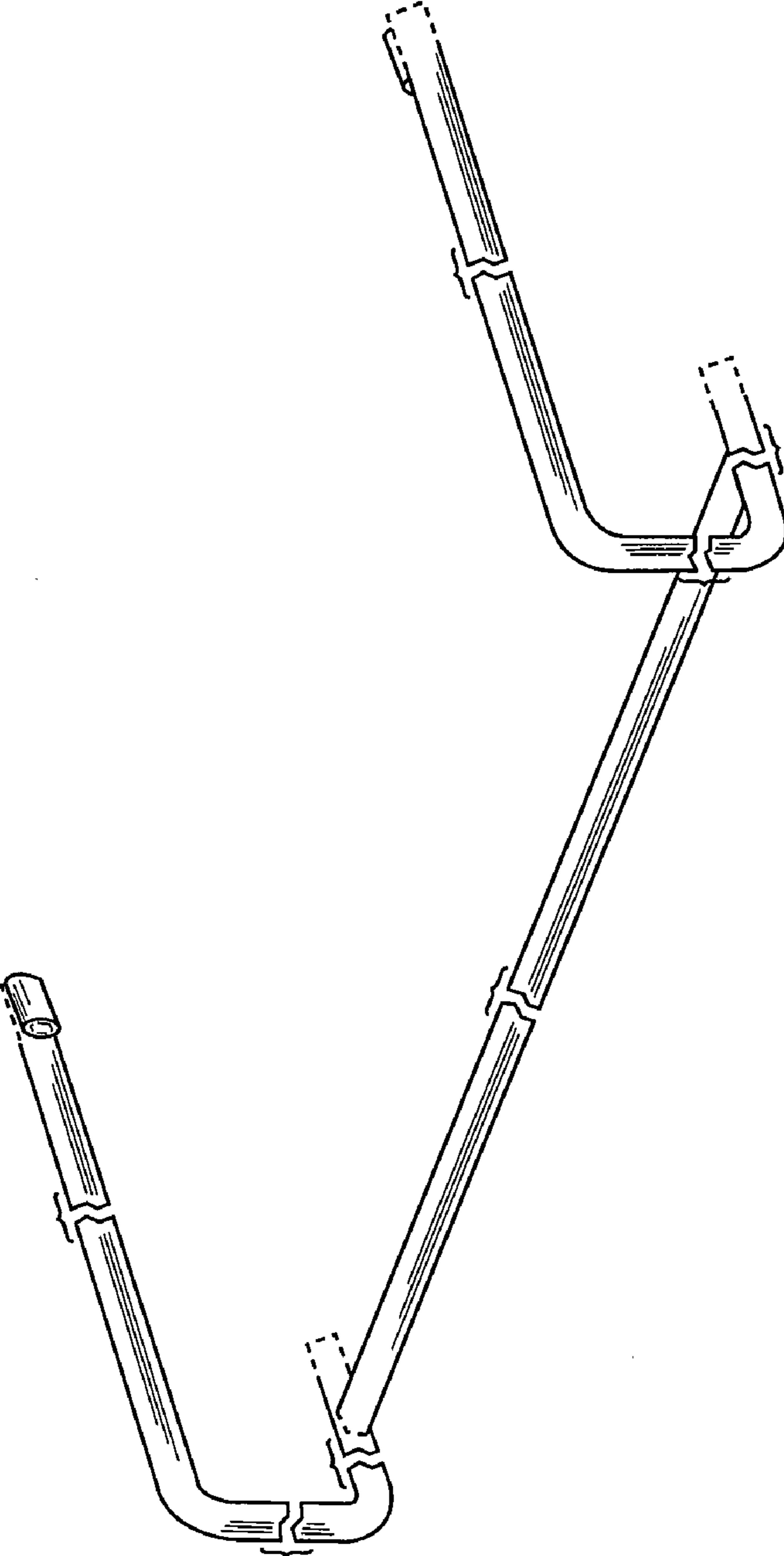


Fig. 8

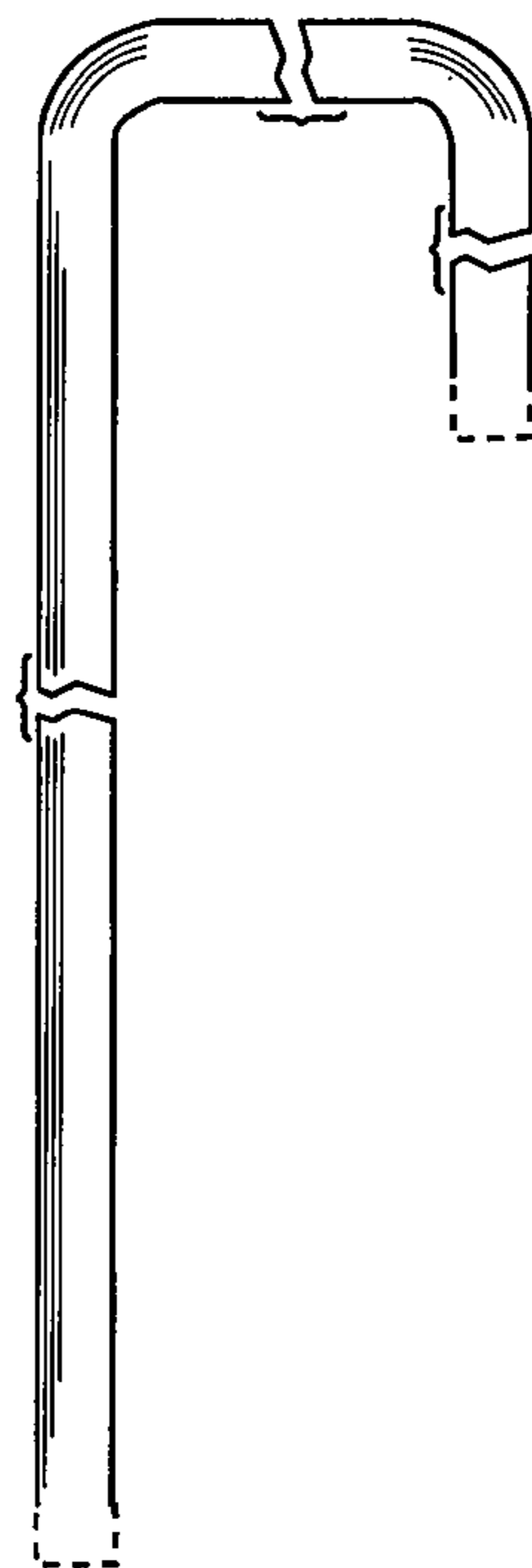


Fig. 7

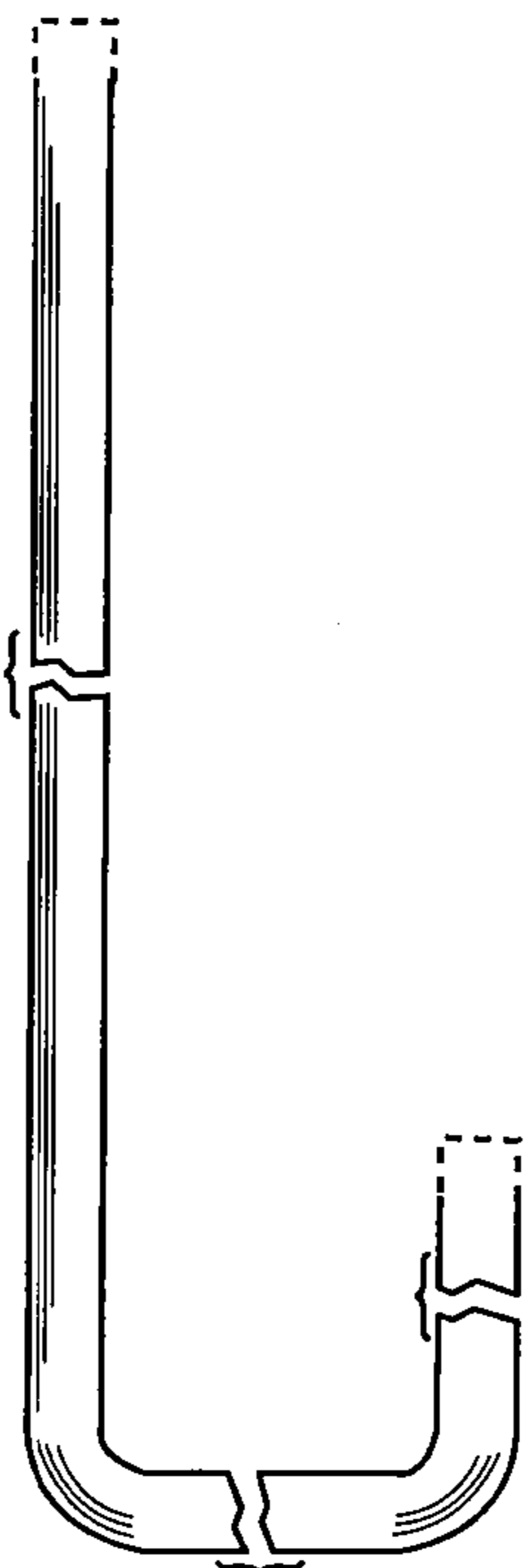


Fig. 9

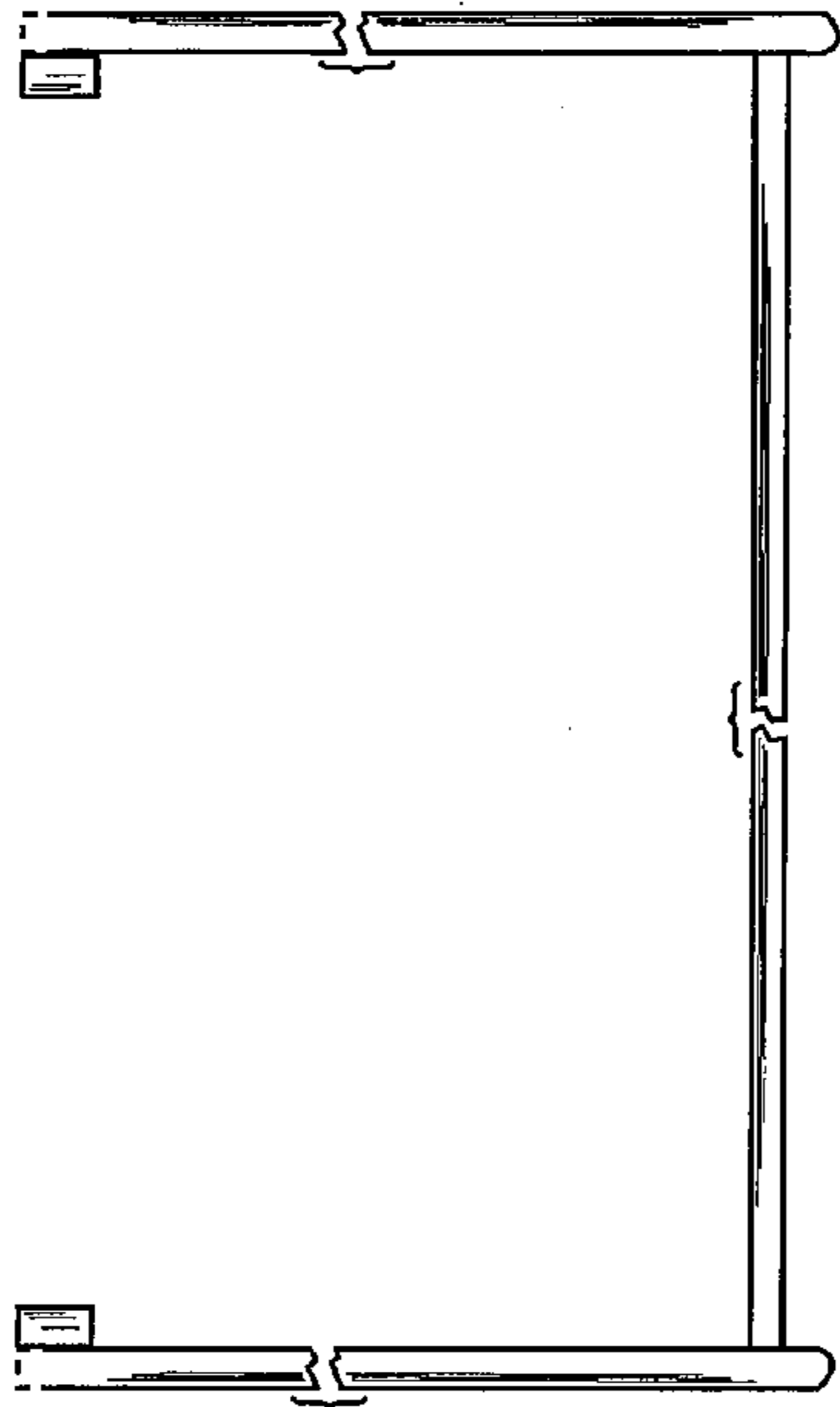


Fig. 10

