



US00D584080S

(12) **United States Design Patent**
Lenterman

(10) **Patent No.:** **US D584,080 S**

(45) **Date of Patent:** **** Jan. 6, 2009**

(54) **SUPPORT FOR A DESK**

D520,269 S * 5/2006 Searl D6/480
7,216,861 B1 * 5/2007 LaBarbera 267/221

(75) Inventor: **Henri B. Lenterman**, Chino Hills, CA
(US)

* cited by examiner

(73) Assignee: **Intro-Tech Automotive, Inc.**, Chino, CA
(US)

Primary Examiner—Janice E Seeger
(74) *Attorney, Agent, or Firm*—Intellectual Property Law
Office of Joel D. Voelzke

(**) Term: **14 Years**

(57) **CLAIM**

(21) Appl. No.: **29/305,756**

The ornamental design for a support for a desk, as shown and described.

(22) Filed: **Mar. 27, 2008**

(51) **LOC (9) Cl.** **06-06**

(52) **U.S. Cl.** **D6/491**

(58) **Field of Classification Search** D6/480–489,
D6/495–499, 429–431, 511, 422–428, 504;
108/150, 153.1, 156, 157.1, 161, 50.01, 50.02;
248/188, 188.1, 188.8, 188.91; 312/194–196,
312/258; D8/370; D12/159, 160; 267/166,
267/221, 167

See application file for complete search history.

DESCRIPTION

FIG. 1 is a perspective view showing the rear, left side, and top of two supports for a desk showing my new design; and,

FIG. 2 is an enlarged perspective view of one such support for a desk.

The right side elevational view is a mirror image of the left side, and the front elevational view is a mirror image of the rear. The bottom view is not shown because it forms no part of the claimed design. The desk, brackets, and fasteners are shown in broken lines for illustrative purposes only and form no part of the claimed design.

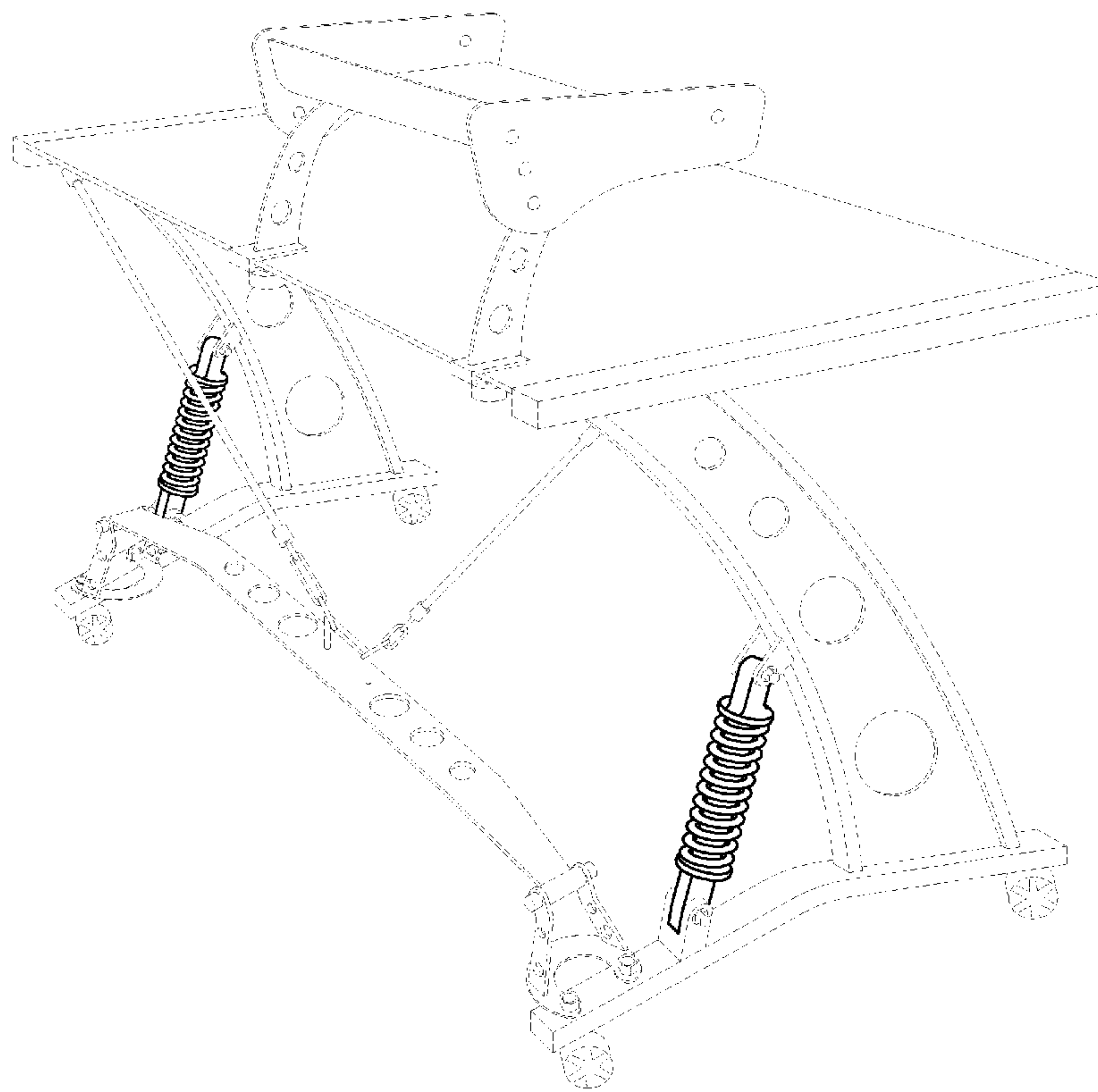
The characteristic feature of the design resides in the application of a part having the appearance of an automotive shock absorber to the support for a desk.

(56) **References Cited**

U.S. PATENT DOCUMENTS

4,521,002	A *	6/1985	Adorjan et al.	267/221
D302,672	S *	8/1989	Ueno	D12/159
5,803,443	A *	9/1998	Chang	267/221
6,142,268	A *	11/2000	Kuo-An	188/274
6,796,569	B2 *	9/2004	Pankau	280/124.155

1 Claim, 2 Drawing Sheets



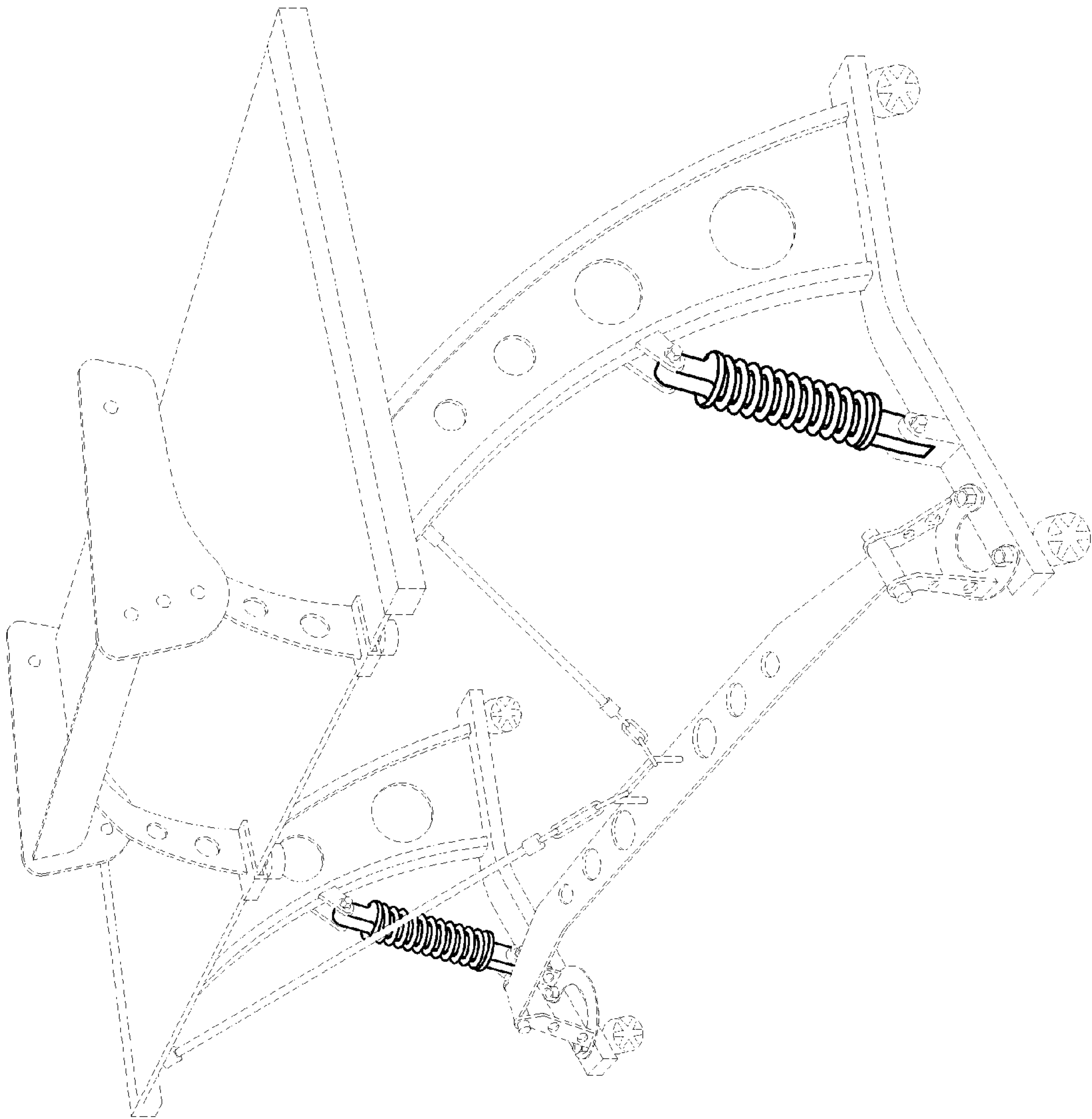


FIG. 1

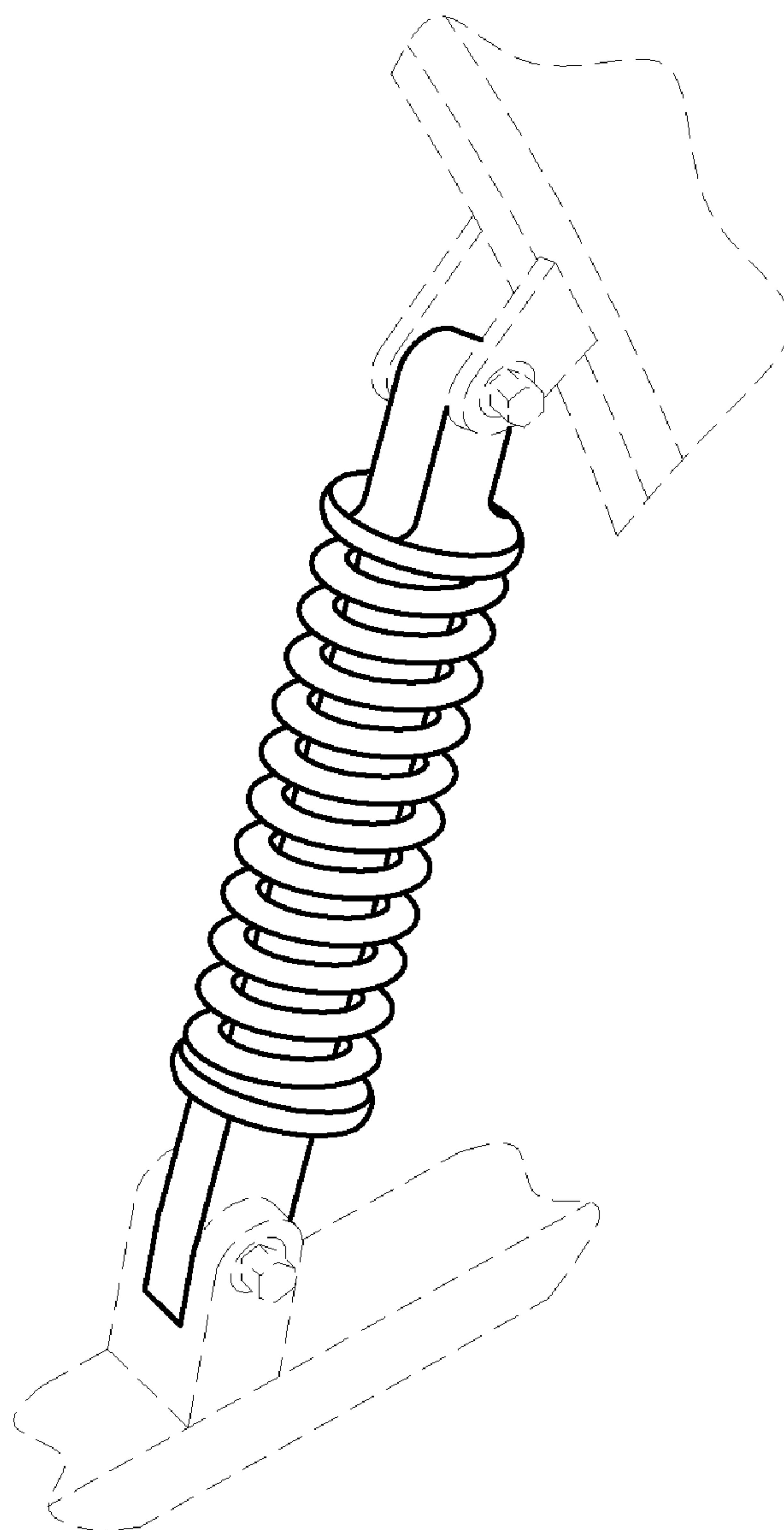


FIG. 2