



US00D584079S

(12) **United States Design Patent**
Lenterman

(10) **Patent No.:** **US D584,079 S**
(45) **Date of Patent:** **** Jan. 6, 2009**

(54) **DESK BRACKET**

(75) Inventor: **Henri B. Lenterman**, Chino Hills, CA
(US)

(73) Assignee: **Intro-Tech Automotive, Inc.**, Chino, CA
(US)

(**) Term: **14 Years**

(21) Appl. No.: **29/305,755**

(22) Filed: **Mar. 27, 2008**

(51) **LOC (9) Cl.** **06-06**

(52) **U.S. Cl.** **D6/491**

(58) **Field of Classification Search** D6/480-489,
D6/495-499, 429-431, 511, 422-428; 108/150,
108/153.1, 156, 157.1, 161, 50.01, 50.02;
248/188, 188.1, 188.8, 188.91; 312/194-196,
312/258; D8/363; D12/159, 160
See application file for complete search history.

(56) **References Cited**

U.S. PATENT DOCUMENTS

- D472,404 S * 4/2003 Mavis D6/484
- D480,900 S * 10/2003 Tolfsen et al. D6/503
- D528,615 S * 9/2006 Black D21/694
- D574,164 S * 8/2008 Lambert et al. D6/429

OTHER PUBLICATIONS

AUTOSPORTSTYLE.COM, online catalog listing of a Toyota 1994-2000 Tercel Front—Netami Strut Bar 67-1029, downloaded Mar. 17, 2008 (also available at <http://autosportstyle.com>).

Inner Auto Parts, online catalog listing a Vibrant Front Upper Strut Bar, downloaded Mar. 17, 2008 (also available at http://www.innerauto.com/Acura_Strut_Bar_Part/).

* cited by examiner

Primary Examiner—Janice E Seeger

(74) *Attorney, Agent, or Firm*—Intellectual Property Law Office of Joel D. Voelzke

(57) **CLAIM**

The ornamental design for a desk bracket, as shown and described.

DESCRIPTION

FIG. 1 is a perspective view showing the rear, left side, and top of a desk bracket showing my new design;

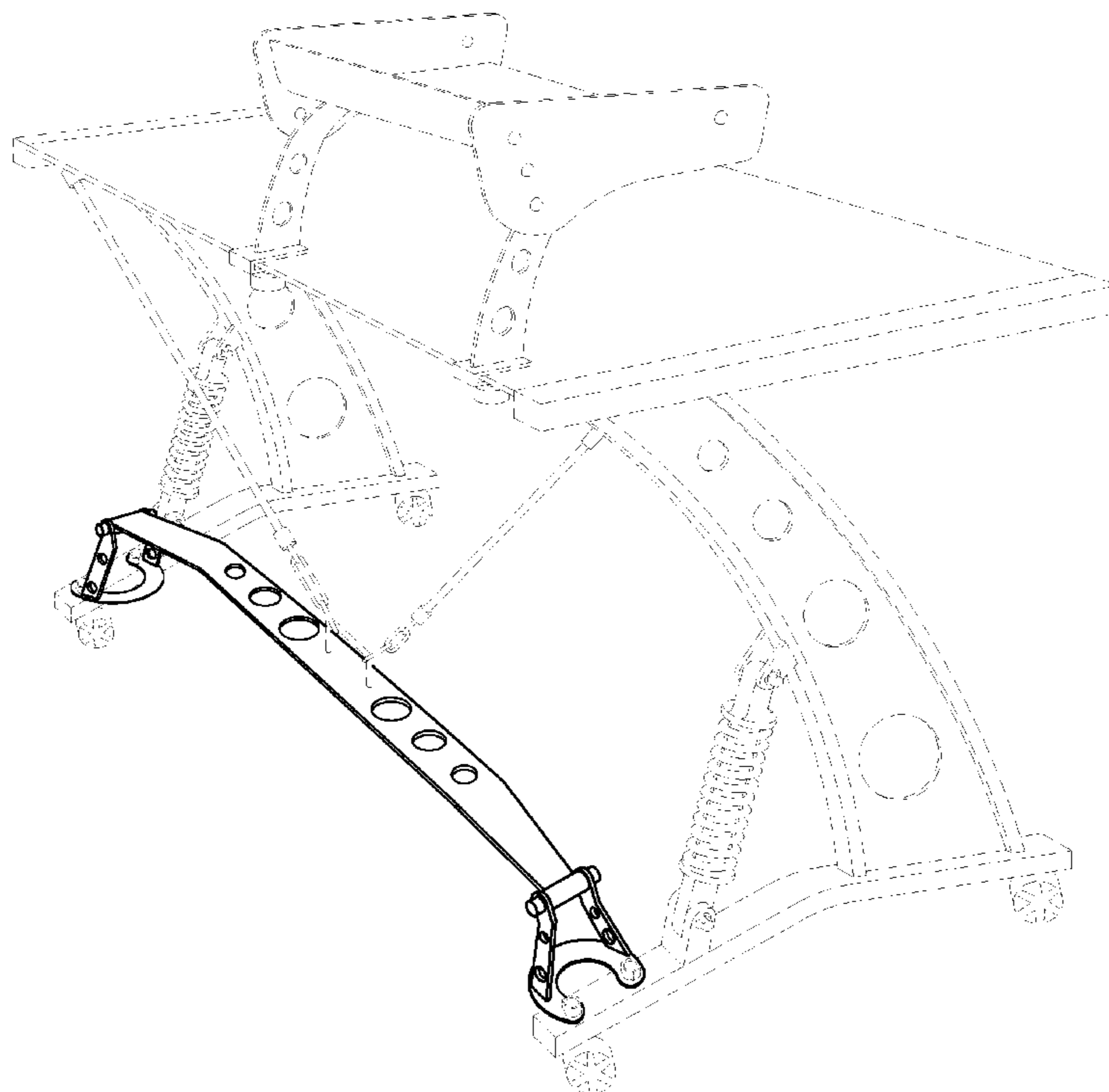
FIG. 2 is an enlarged perspective view thereof; and,

FIG. 3 is a left side elevational view thereof.

The right side elevational view is a mirror image of the left side. The front side elevational view is a mirror image of the rear. The bottom view is not shown because it forms no part of the claimed design. The desk parts and attachment hardware are shown in broken lines for illustrative purposes only and form no part of the claimed design.

The characteristic feature of the design resides in the application of a part having the appearance of an automotive tower strut bar to the desk bracket.

1 Claim, 2 Drawing Sheets



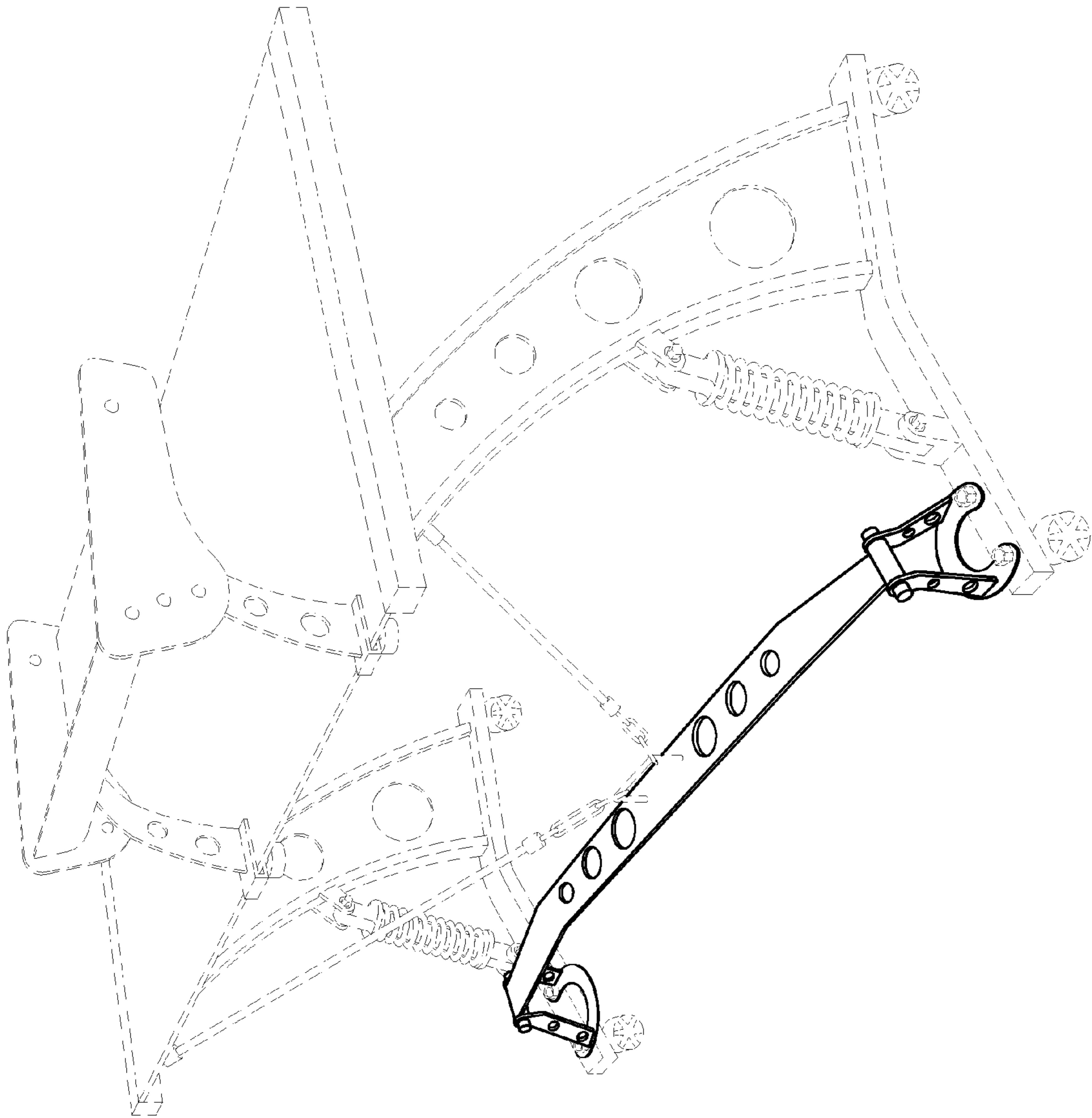


FIG. 1

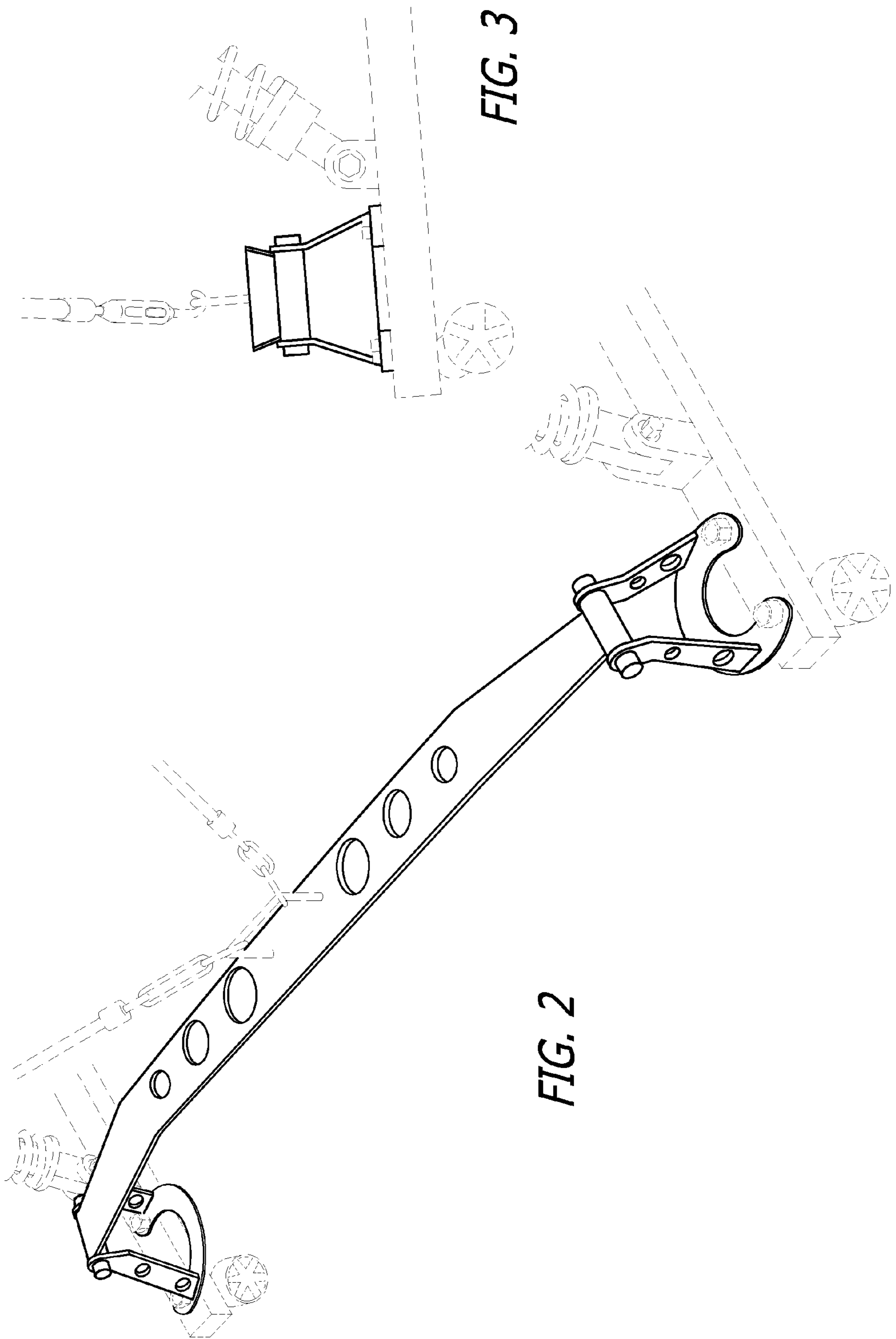


FIG. 3

FIG. 2