



US00D584076S

(12) **United States Design Patent**
Stengel

(10) **Patent No.:** **US D584,076 S**

(45) **Date of Patent:** **** Jan. 6, 2009**

(54) **DISPLAY SCREEN SUPPORT APPARATUS**

Primary Examiner—Janice E Seeger
Assistant Examiner—Sydney R Buffalow

(76) Inventor: **Michael John Stengel**, 14368 Cedar Springs Dr., Town and Country, MO (US) 63017

(57) **CLAIM**

The ornamental design for a display screen support apparatus, as shown and described.

(**) Term: **14 Years**

(21) Appl. No.: **29/295,978**

DESCRIPTION

(22) Filed: **Oct. 11, 2007**

(51) **LOC (9) Cl.** **06-04**

(52) **U.S. Cl.** **D6/449**

(58) **Field of Classification Search** D6/396,
D6/449, 471, 477, 479, 468, 460–461, 474,
D6/407; 211/40, 41.12, 42, 49.1, 50, 85.2,
211/90.04, 187, 190; D14/239; 108/91–92,
108/96, 50.01; D34/19, 21

FIG. 1 is a perspective front-side view of the display screen support apparatus of the present invention, with the wheels of the apparatus shown in phantom, the wheels not forming part of the inventive design;

FIG. 2 is a top plan view of the support apparatus of FIG. 1; FIG. 3 is a front elevation view of the support apparatus of FIG. 1;

See application file for complete search history.

FIG. 4 is a side elevation view of the support apparatus of FIG. 1, the opposite side being a mirror image of FIG. 4;

(56) **References Cited**

U.S. PATENT DOCUMENTS

D360,779 S *	8/1995	Allekotte et al.	D6/449
D379,886 S *	6/1997	Towfigh	D6/479
D433,846 S *	11/2000	Chang	D6/474
D544,253 S *	6/2007	Fujii	D6/477
D547,096 S *	7/2007	Stengel et al.	D6/477

FIG. 5 is a rear elevation view of the support apparatus of FIG. 1;

FIG. 6 is a bottom plan view of the support apparatus of FIG. 1; and,

FIG. 7 is a perspective rear-side view of the support apparatus of FIG. 1.

* cited by examiner

1 Claim, 2 Drawing Sheets

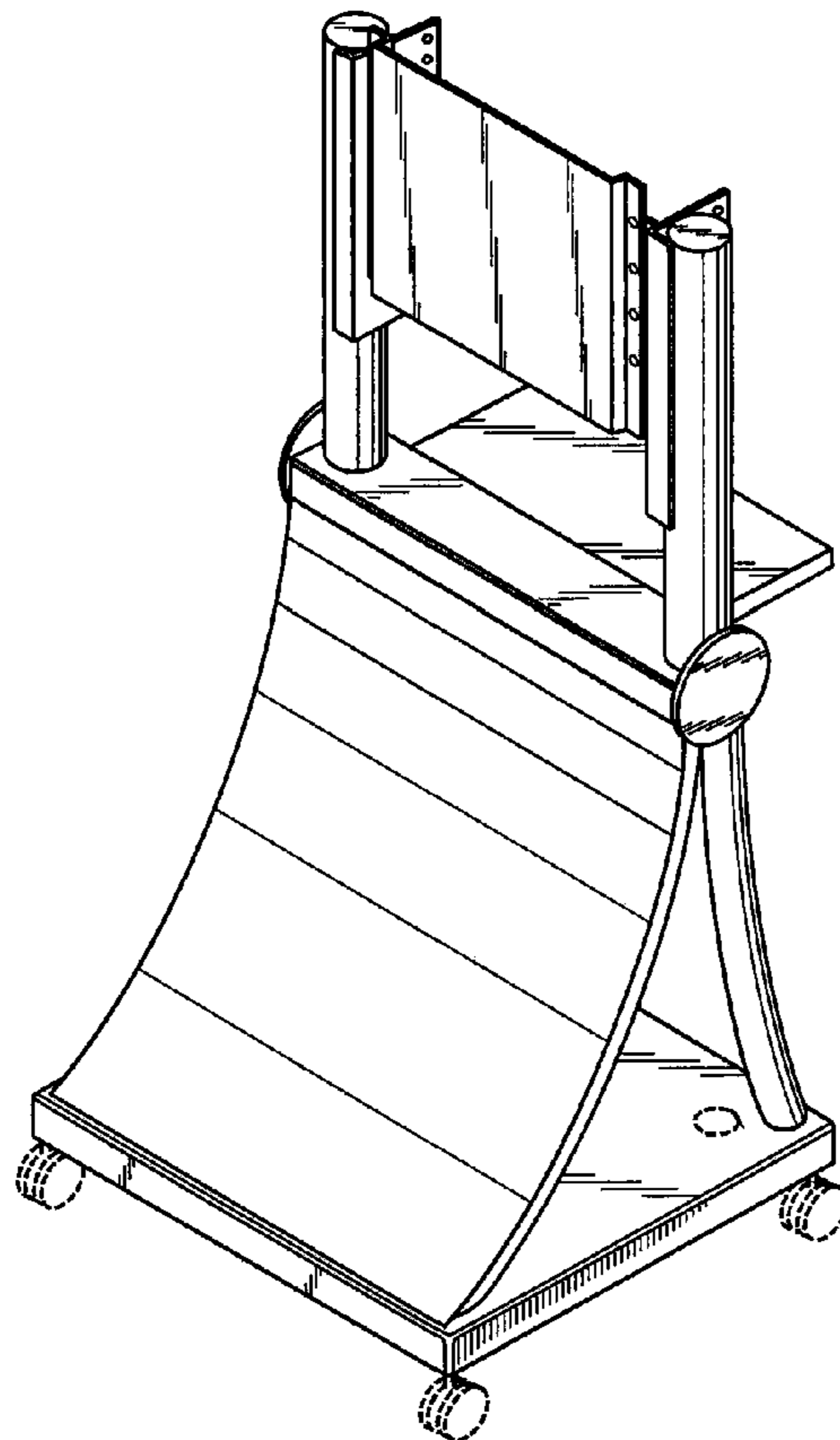


Fig. 2

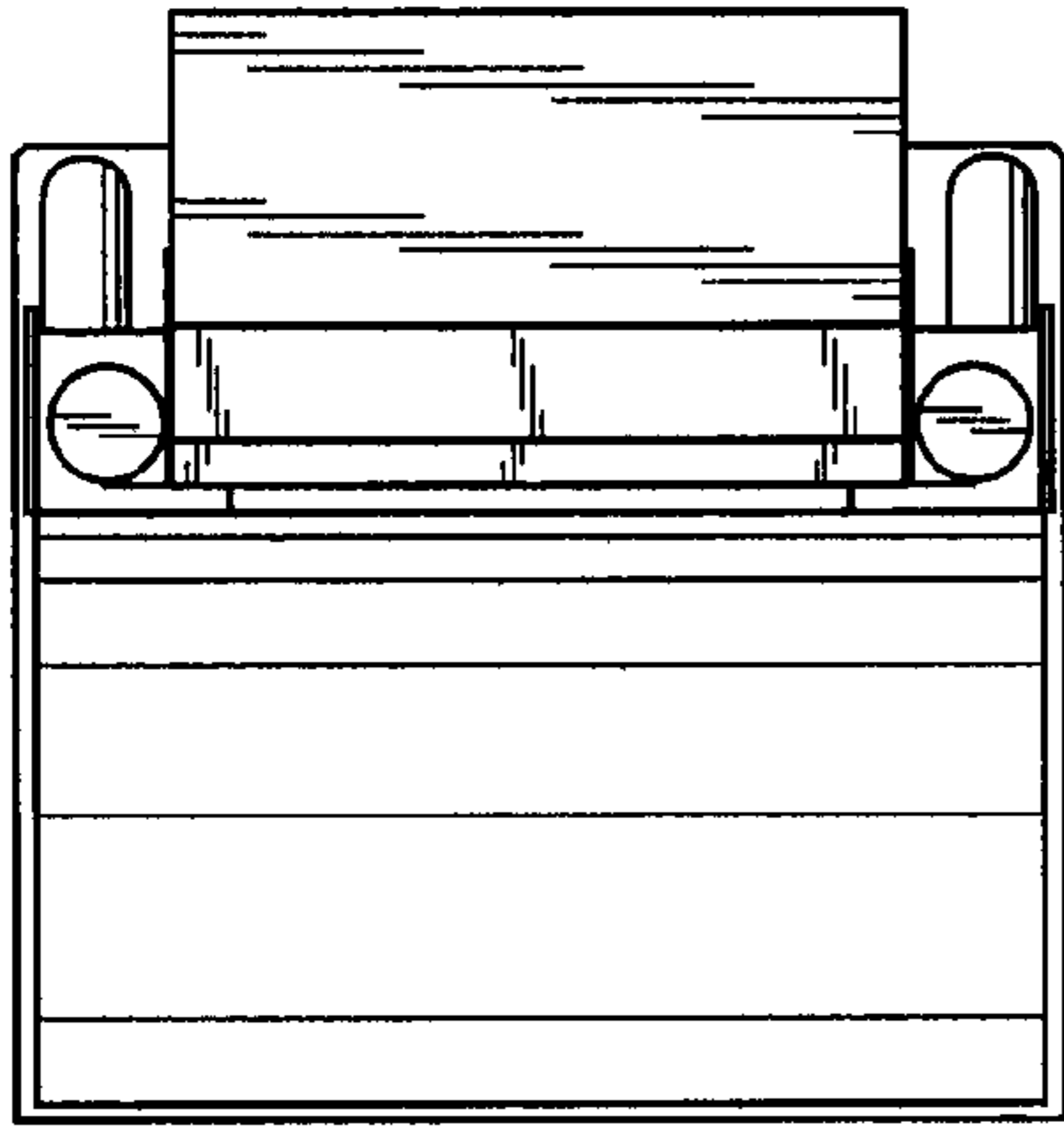


Fig. 3

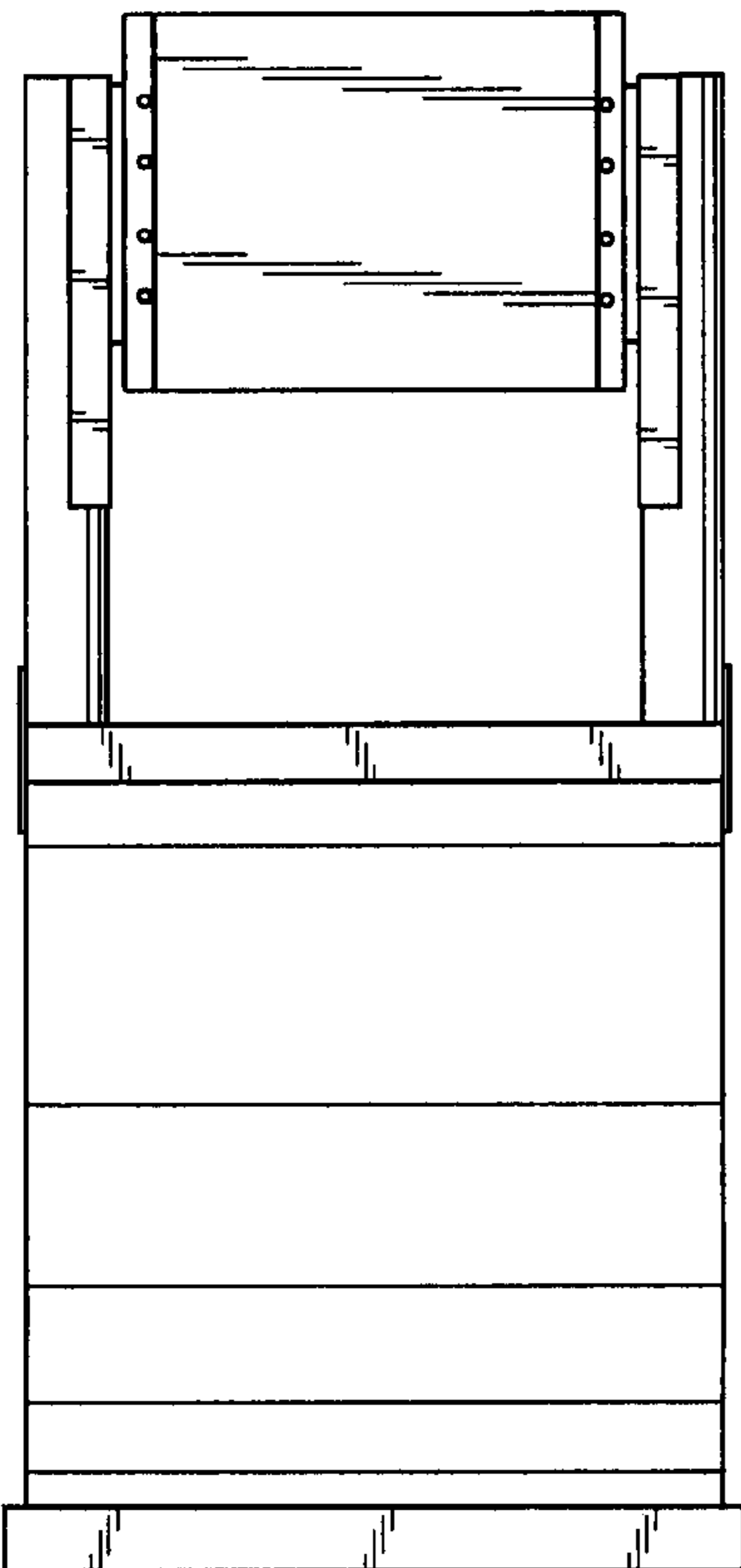


Fig. 1

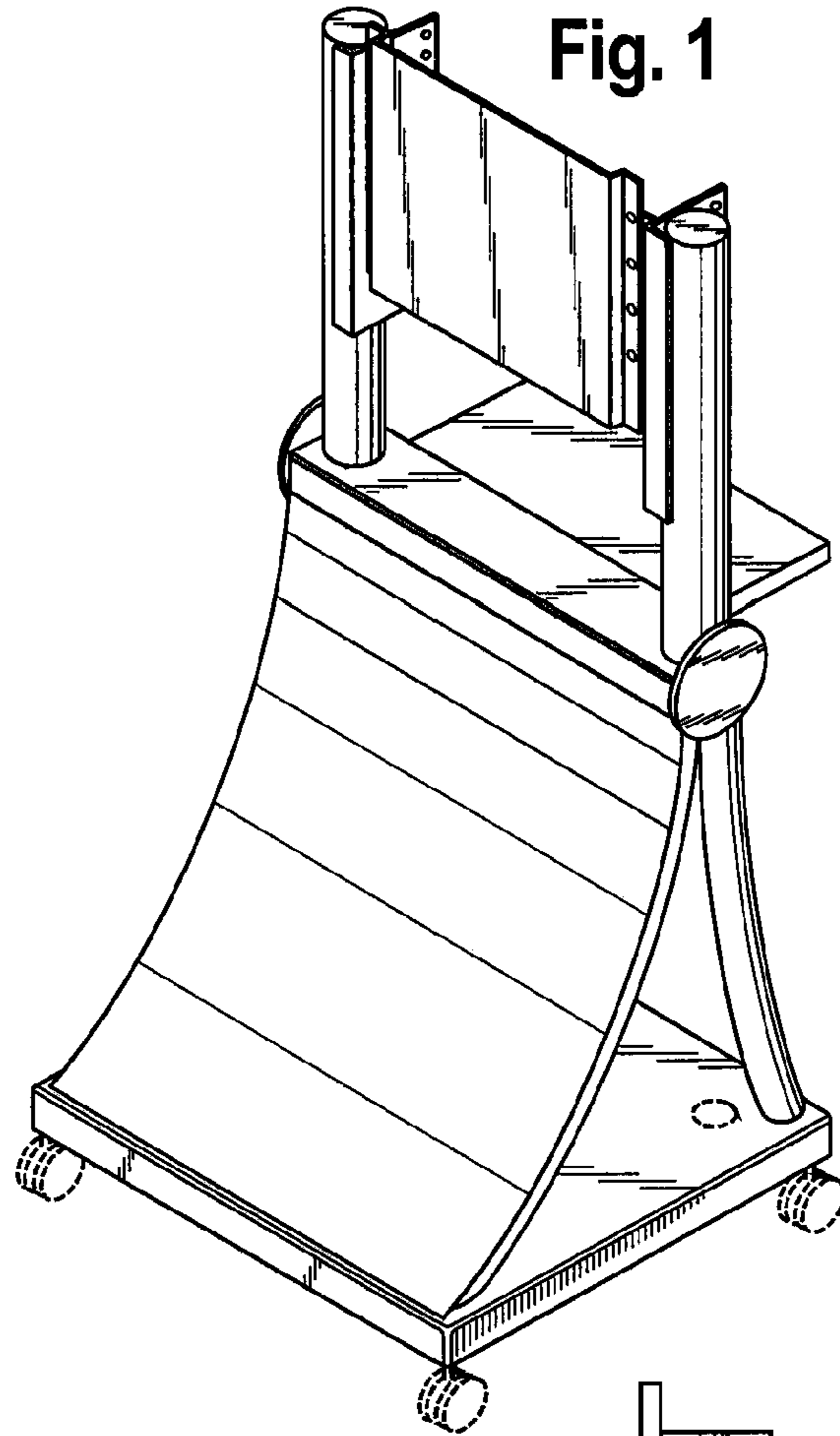


Fig. 4

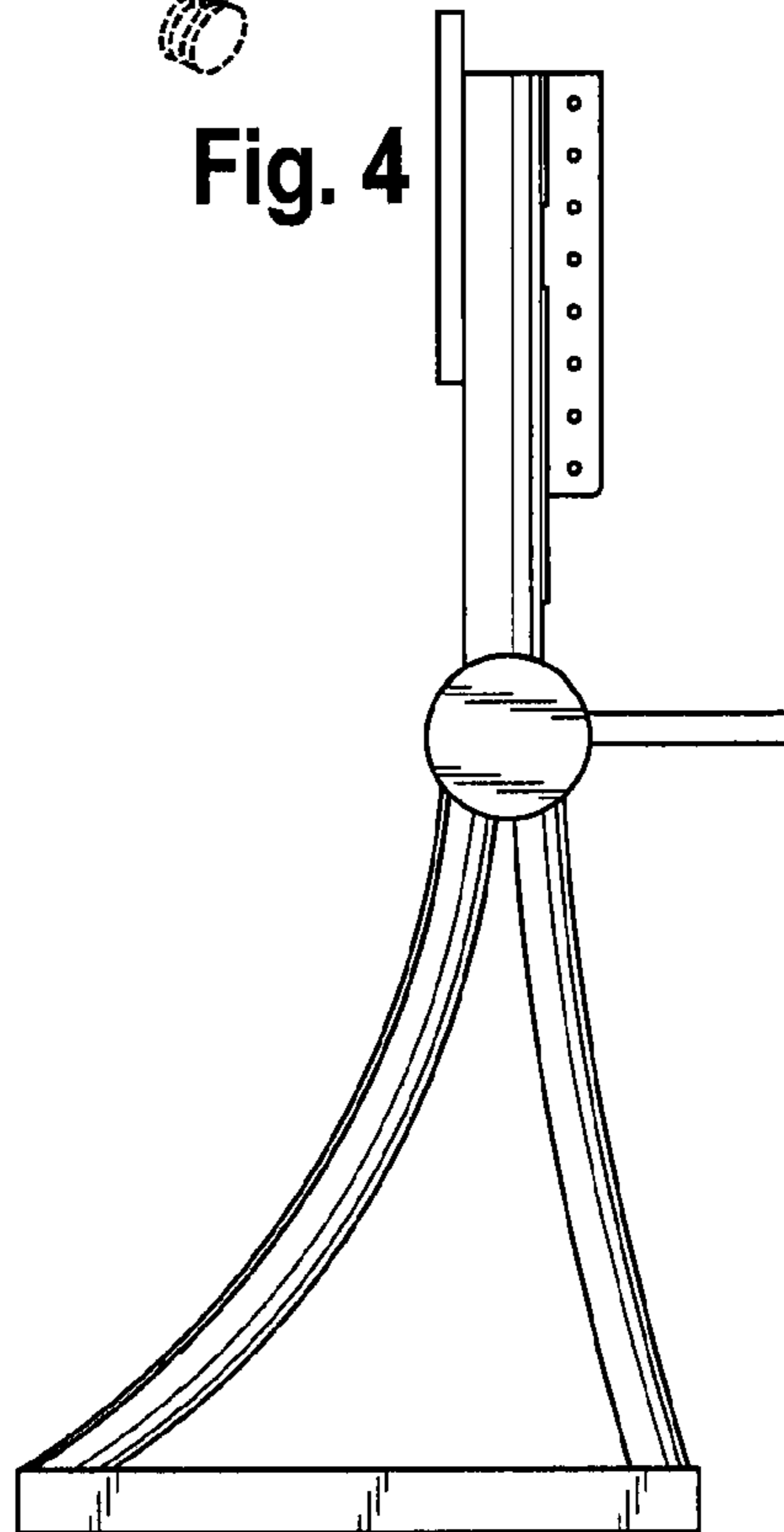


Fig. 5

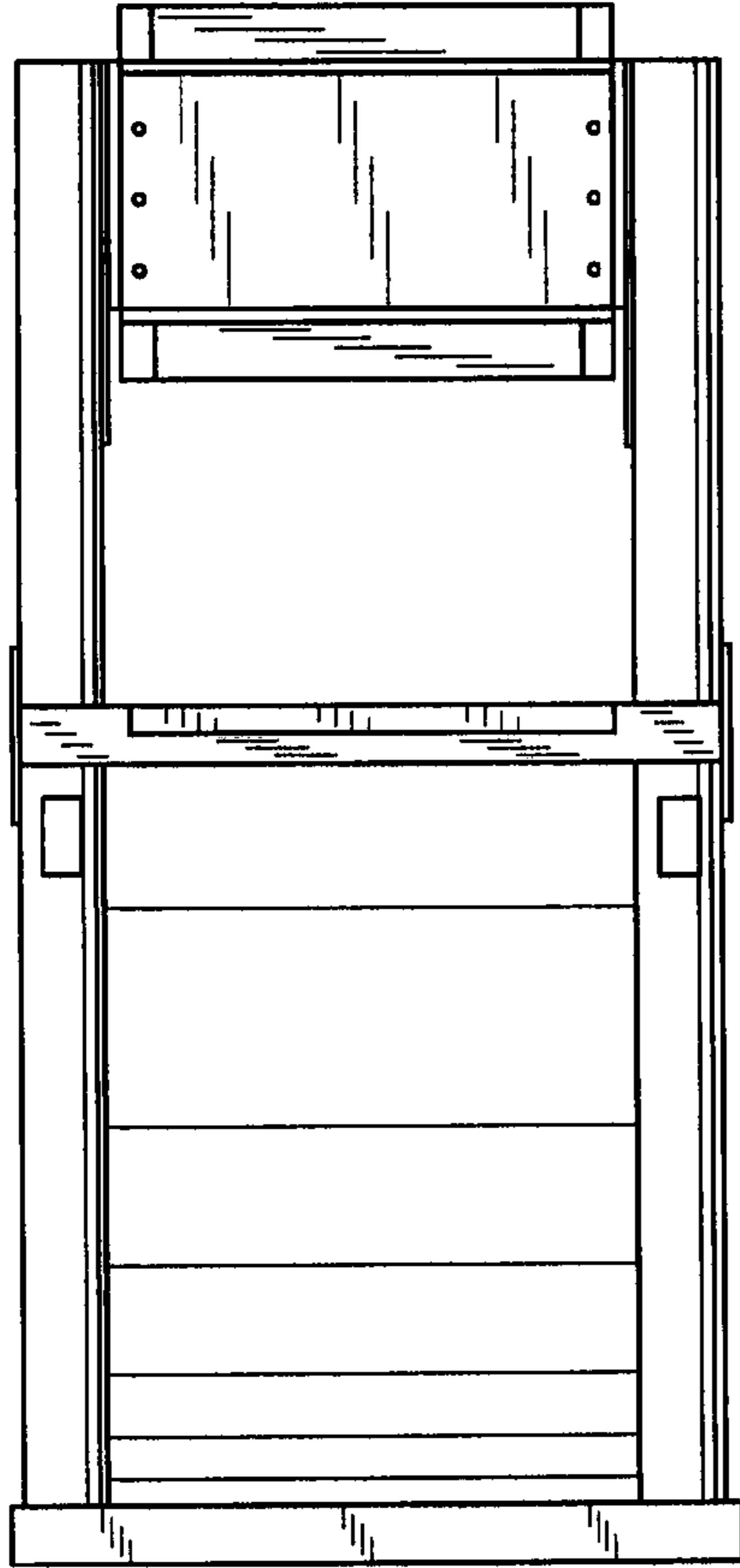


Fig. 7

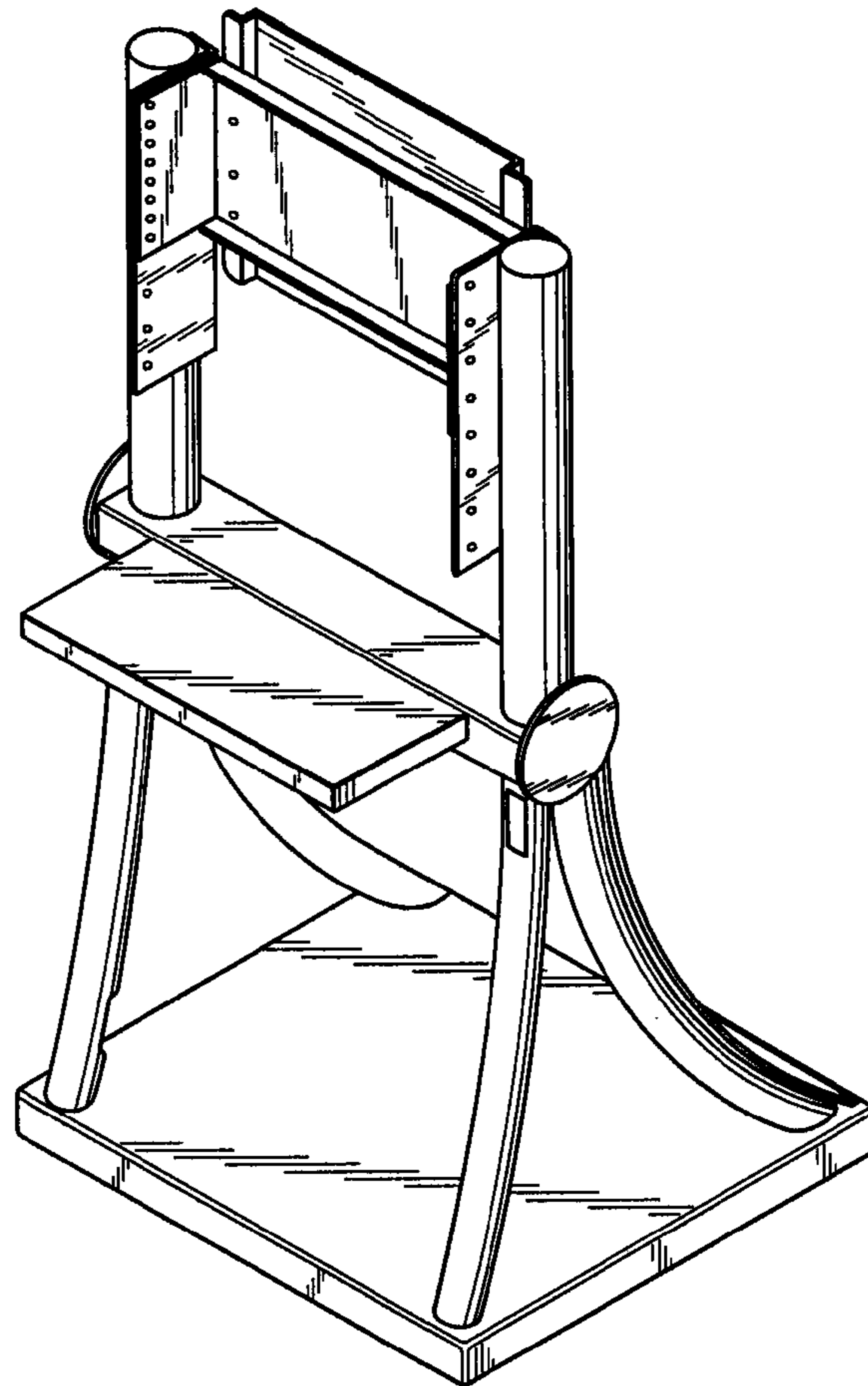


Fig. 6

