



US00D584075S

(12) **United States Design Patent**
Hung

(10) **Patent No.:** **US D584,075 S**
(45) **Date of Patent:** **** Jan. 6, 2009**

- (54) **FLAT PANEL DISPLAY STAND**
- (75) Inventor: **Chin-Jui Hung**, Taichung Hsien (TW)
- (73) Assignee: **Modernsolid Industrial Co., Ltd.**,
Taichung Hsien (TW)
- (**) Term: **14 Years**
- (21) Appl. No.: **29/293,177**
- (22) Filed: **Nov. 8, 2007**
- (51) **LOC (9) Cl.** **06-07**
- (52) **U.S. Cl.** **D6/449; D14/239**
- (58) **Field of Classification Search** D6/515,
D6/466, 449, 431, 421, 300, 498; D29/130;
D27/107; D34/6; D10/113, 114, 109; D21/397;
D20/41, 10; 361/683, 686, 388; 248/553,
248/288.11, 125.1
See application file for complete search history.

- D478,434 S * 8/2003 Pearlson D6/449
- D498,161 S * 11/2004 Gagnon D10/109
- D503,832 S * 4/2005 Kennon D29/130
- D546,890 S * 7/2007 Siler D20/1
- D565,044 S * 3/2008 Witts et al. D14/307
- 2006/0203441 A1* 9/2006 Lauffer et al. 361/683
- 2007/0023600 A1* 2/2007 Lee 248/288.11

* cited by examiner

Primary Examiner—Cathron C Brooks
Assistant Examiner—Austin Murphy
(74) *Attorney, Agent, or Firm*—William E. Pelton, Esq.;
Cooper & Dunham LLP

(57) **CLAIM**

The ornamental design for a flat panel display stand, as shown and described.

DESCRIPTION

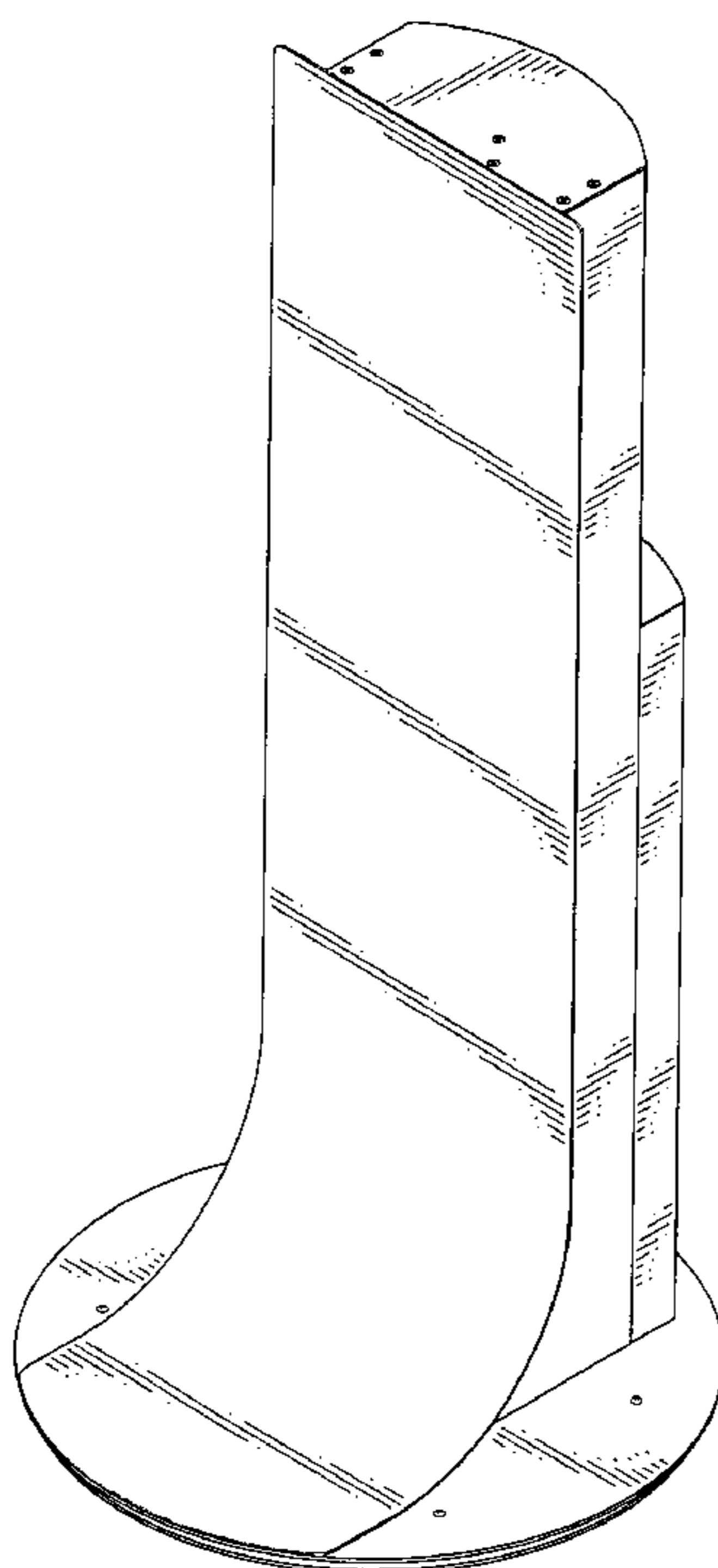
FIG. 1 is a perspective view of a flat panel display stand, showing my new design;
FIG. 2 is a front view thereof;
FIG. 3 is a rear view thereof;
FIG. 4 is a left side view thereof;
FIG. 5 is a right side view thereof;
FIG. 6 is a top view thereof;
FIG. 7 is a bottom view thereof; and,
FIG. 8 is a right side elevational view thereof, with the broken line showing of a flat panel display forming no part of the claimed design.

1 Claim, 7 Drawing Sheets

(56) **References Cited**

U.S. PATENT DOCUMENTS

- D232,223 S * 7/1974 Bartley et al. D6/421
- 4,246,451 A * 1/1981 Nix 248/553
- D272,809 S * 2/1984 Bent et al. D10/109
- D276,510 S * 11/1984 Bent et al. D10/109
- D354,171 S * 1/1995 Schmidt D6/300
- D400,735 S * 11/1998 House et al. D6/466
- D408,458 S * 4/1999 Hempel D20/10
- 6,189,842 B1 * 2/2001 Bergeron Gull et al. .. 248/125.1
- D445,054 S * 7/2001 Despino et al. D10/113
- D452,712 S * 1/2002 Kim D20/10
- D462,286 S * 9/2002 Perelli D10/113



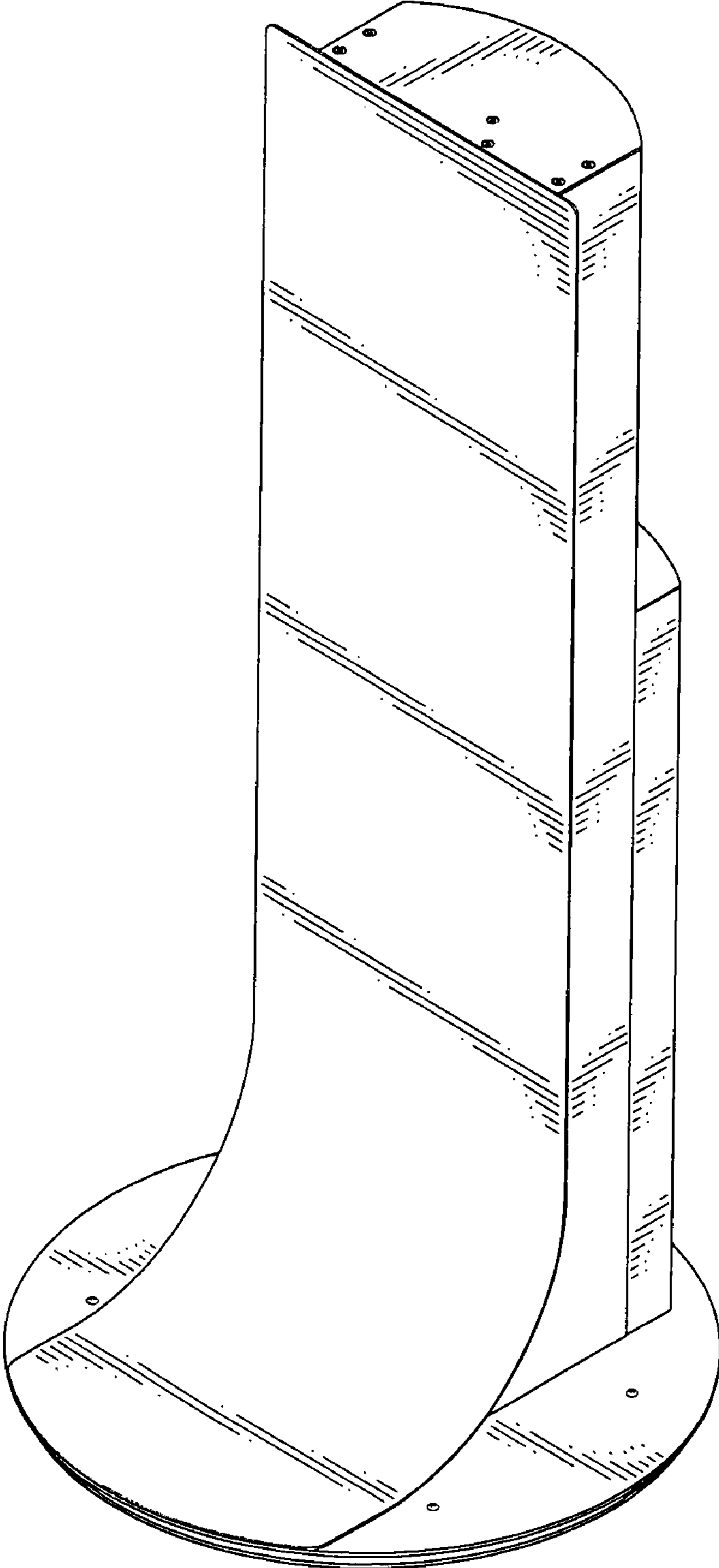


FIG. 1

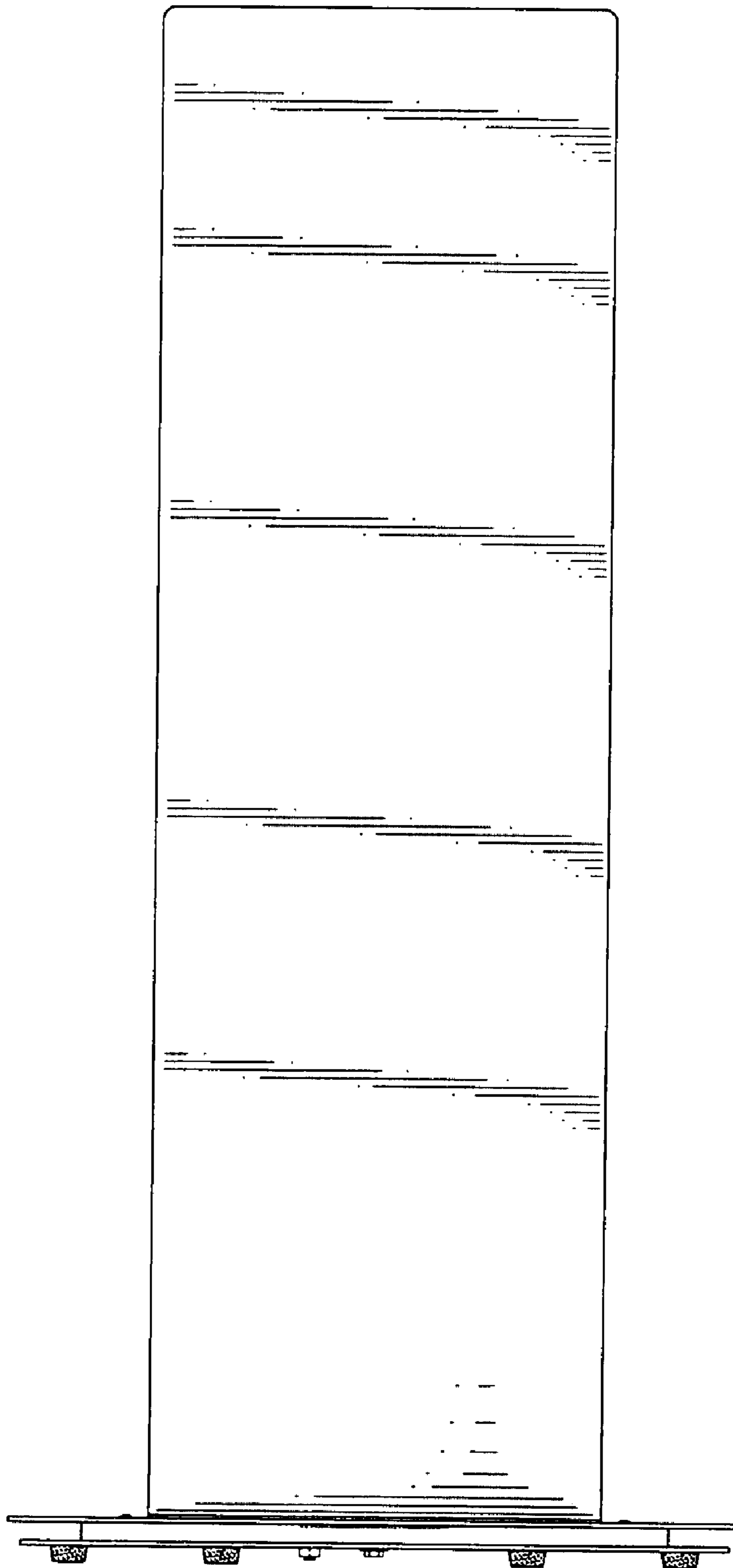


FIG. 2

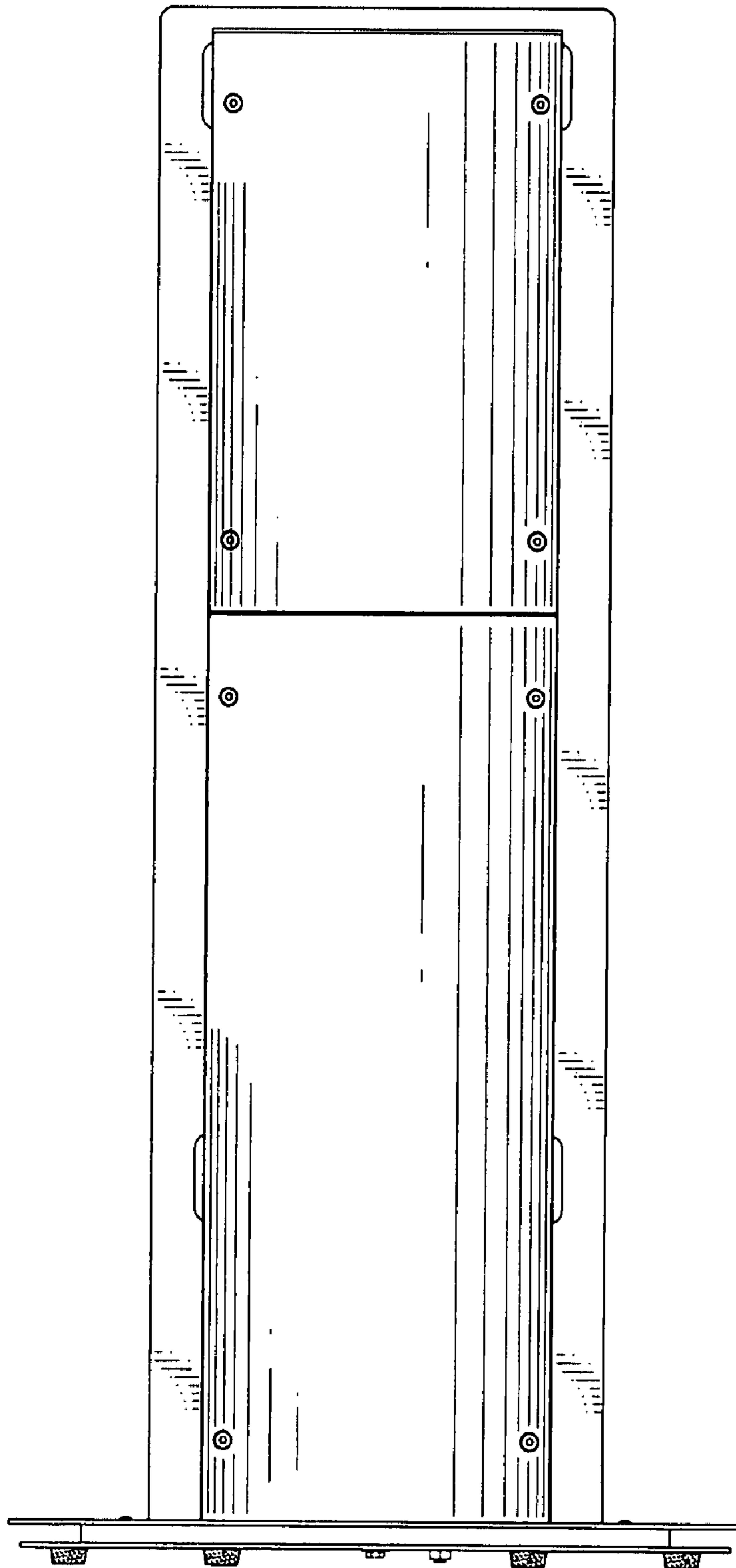


FIG. 3

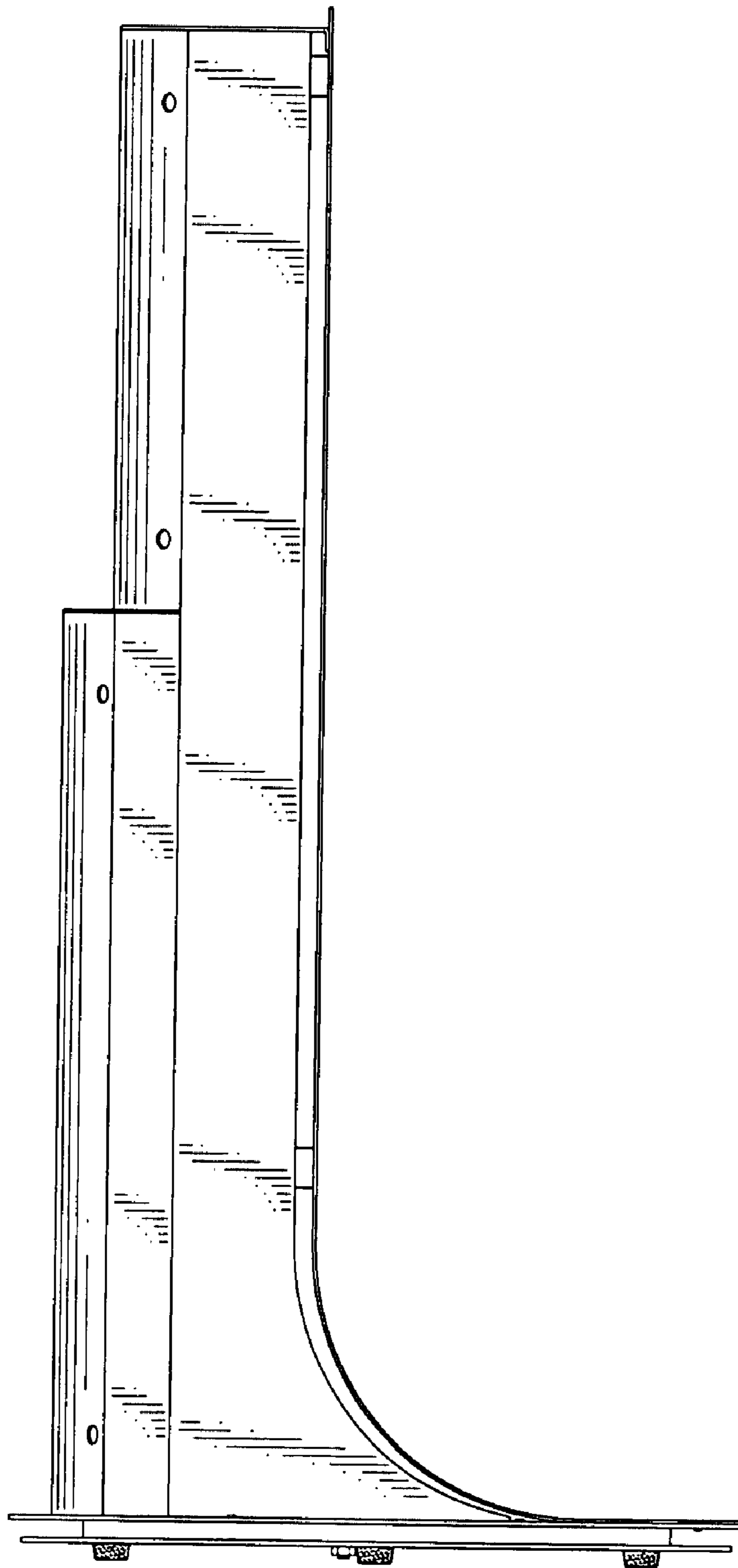


FIG. 4

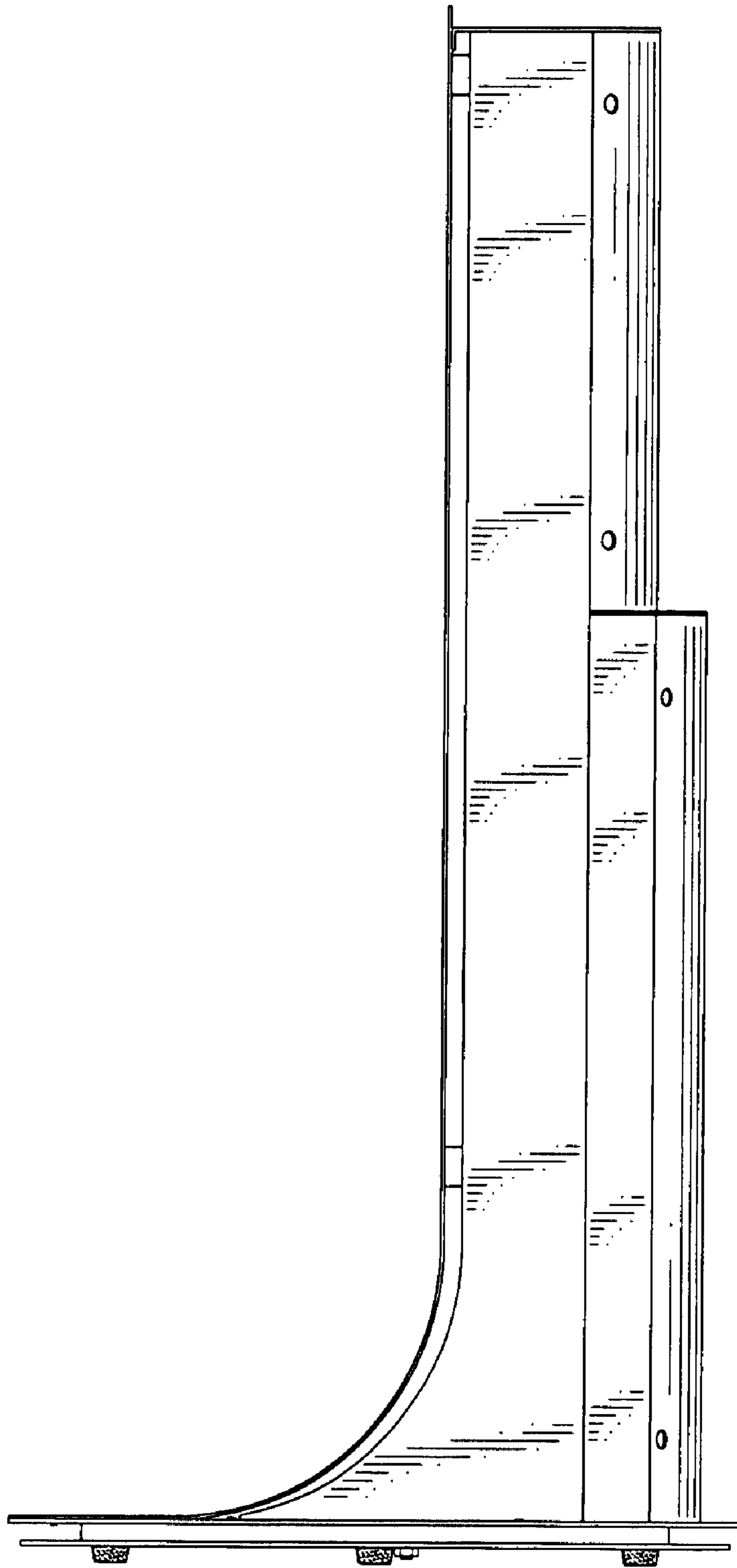


FIG. 5

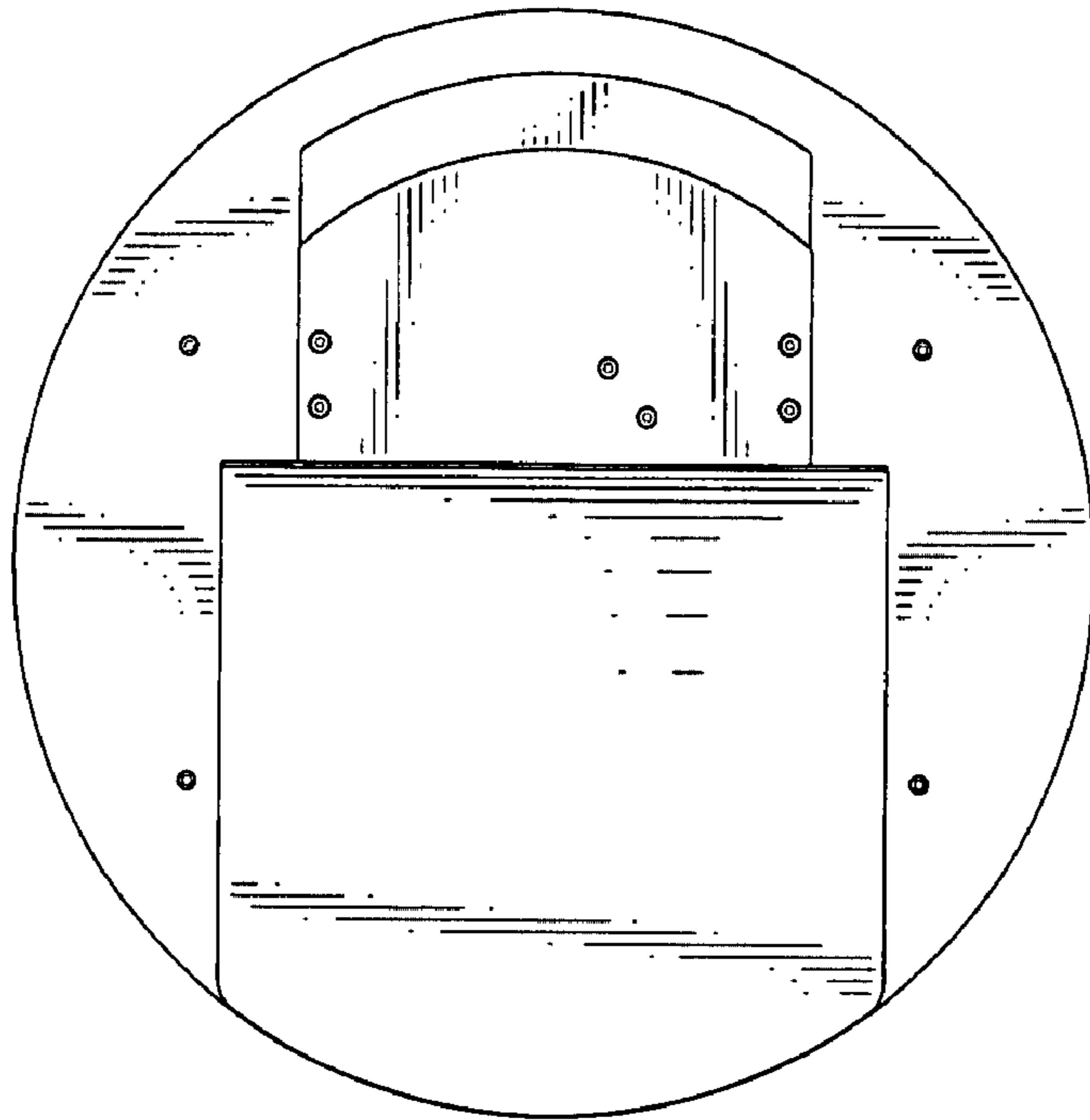


FIG. 6

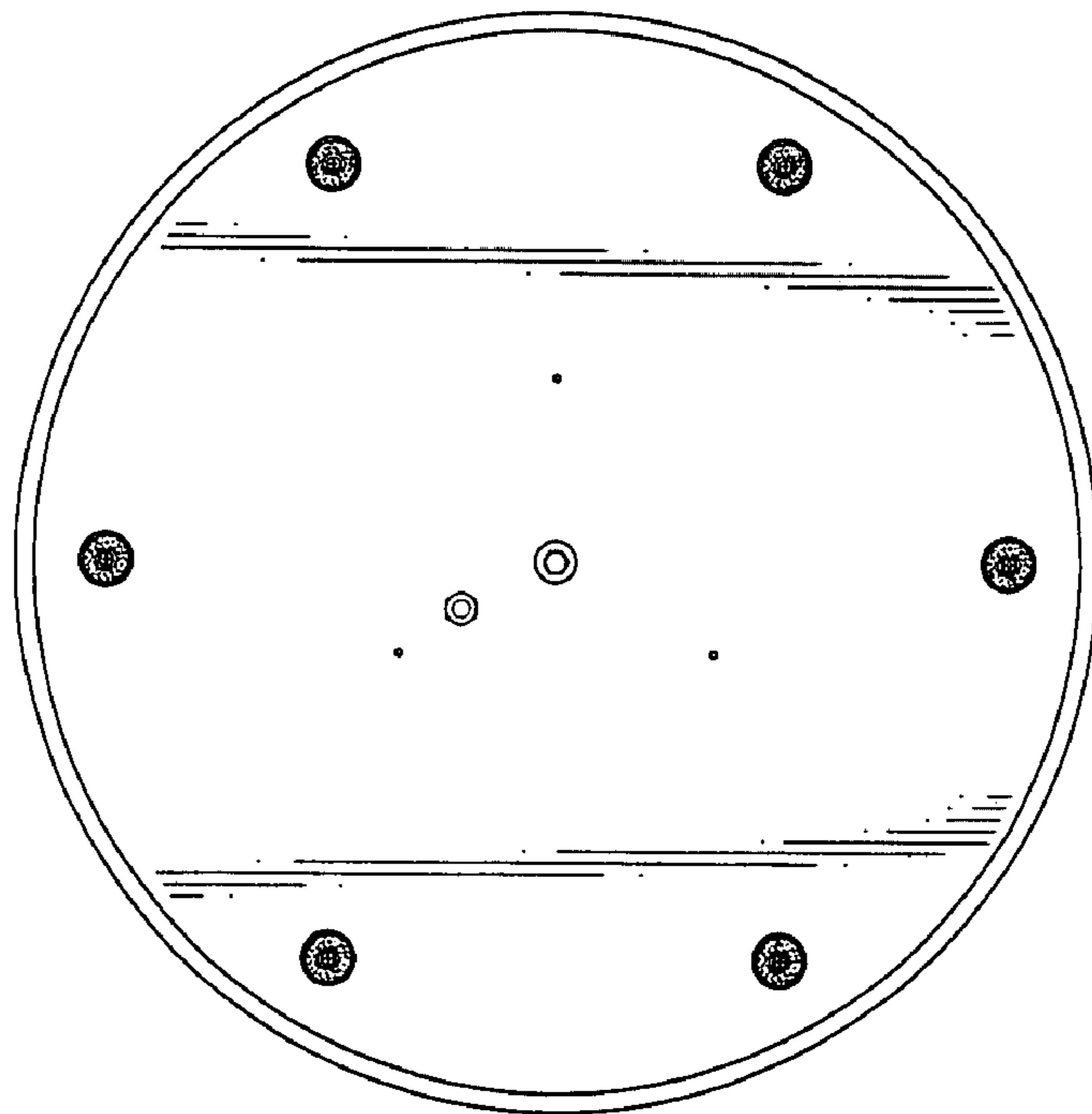


FIG. 7

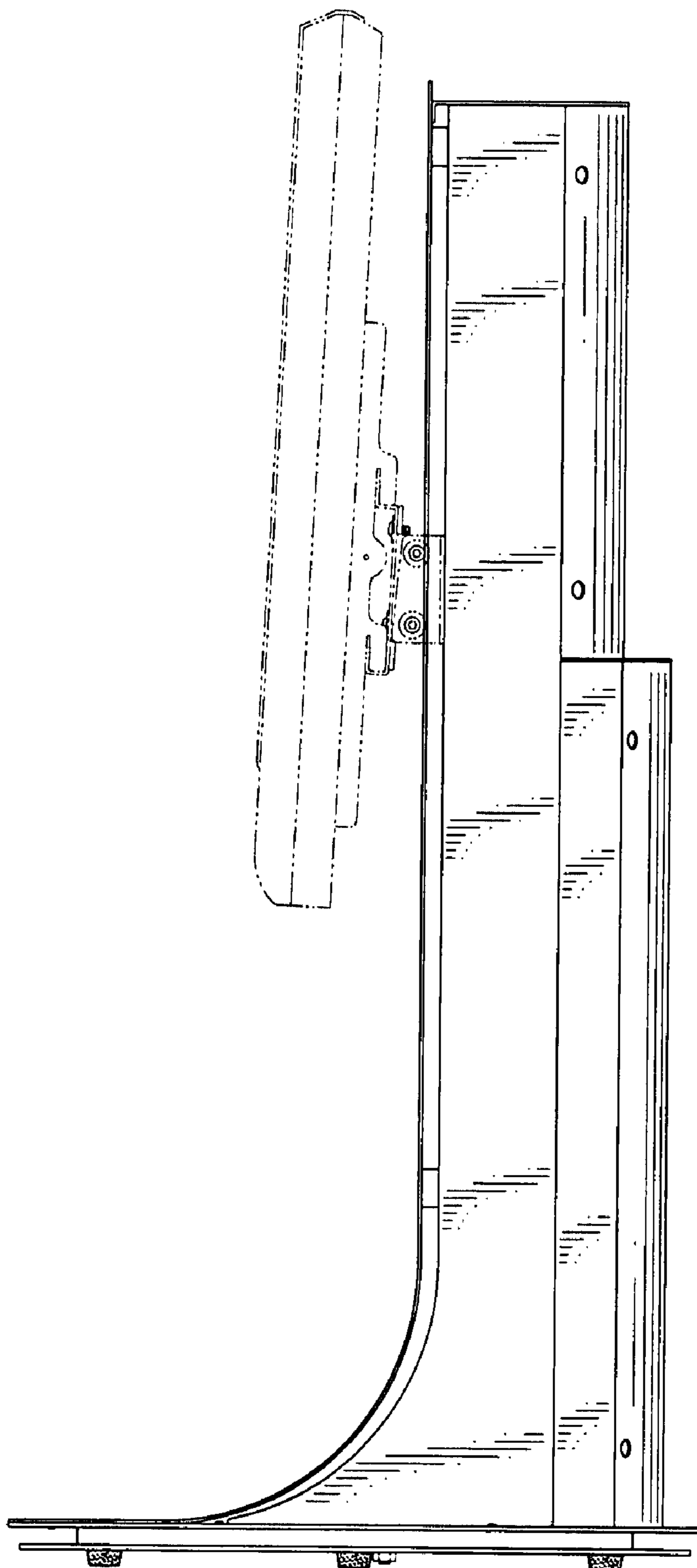


FIG. 8