



US00D584071S

(12) **United States Design Patent**
Weigand et al.

(10) **Patent No.:** **US D584,071 S**

(45) **Date of Patent:** **** Jan. 6, 2009**

(54) **CARD DISPLAY**

(75) Inventors: **Christopher P. Weigand**, Sagamore Hills, OH (US); **Carly Price**, Evanston, IL (US); **Valeria Cardoso**, Chicago, IL (US); **Christian Schmidt**, Brooklyn, NY (US); **Julie Post-Smith**, Broadview Hts, OH (US); **Steve Laserson**, University Heights, OH (US); **Anne Marie Thomas**, Westlake, OH (US); **Sharon Schneider**, Richfield, OH (US); **Mark Jones**, Evanston, IL (US); **Paul Mougey**, Chicago, IL (US); **Travis Lee**, Chicago, IL (US); **John Grimley**, Kenosha, WI (US)

(73) Assignee: **American Greetings Corporation**, Cleveland, OH (US)

(**) Term: **14 Years**

(21) Appl. No.: **29/280,785**

(22) Filed: **Jun. 7, 2007**

(51) **LOC (9) Cl.** **06-04**

(52) **U.S. Cl.** **D6/411**

(58) **Field of Classification Search** D6/454,
D6/457, 436, 396, 397, 432, 449, 455, 464-465,
D6/468, 332, 462, 477, 479, 474, 409-415;
D20/19; 211/85.26, 49.1, 50, 169, 194, 188,
211/134, 153; 108/16, 91, 92; 312/50, 117,
312/128

See application file for complete search history.

(56) **References Cited**

U.S. PATENT DOCUMENTS

D353,284 S * 12/1994 Greenwald D6/457

D377,566 S * 1/1997 Norge, Jr. D6/457
D404,958 S * 2/1999 Cheris et al. D6/630
6,126,020 A * 10/2000 Mok 211/40
D435,189 S * 12/2000 Mok D6/630
D453,654 S * 2/2002 Kwok D6/630
D464,841 S * 10/2002 Chow et al. D6/630
6,536,608 B2 * 3/2003 Buckley 211/41.18
D500,418 S * 1/2005 Levin et al. D6/457
D507,146 S * 7/2005 Chow et al. D6/630

* cited by examiner

Primary Examiner—Caron Veynar

Assistant Examiner—Abraham Bahta

(74) *Attorney, Agent, or Firm*—Roetzel & Andress

(57) **CLAIM**

The ornamental design for a card display, as shown and described.

DESCRIPTION

FIG. 1 is a perspective view of the card display showing our new design;

FIG. 2 is a front elevation view thereof;

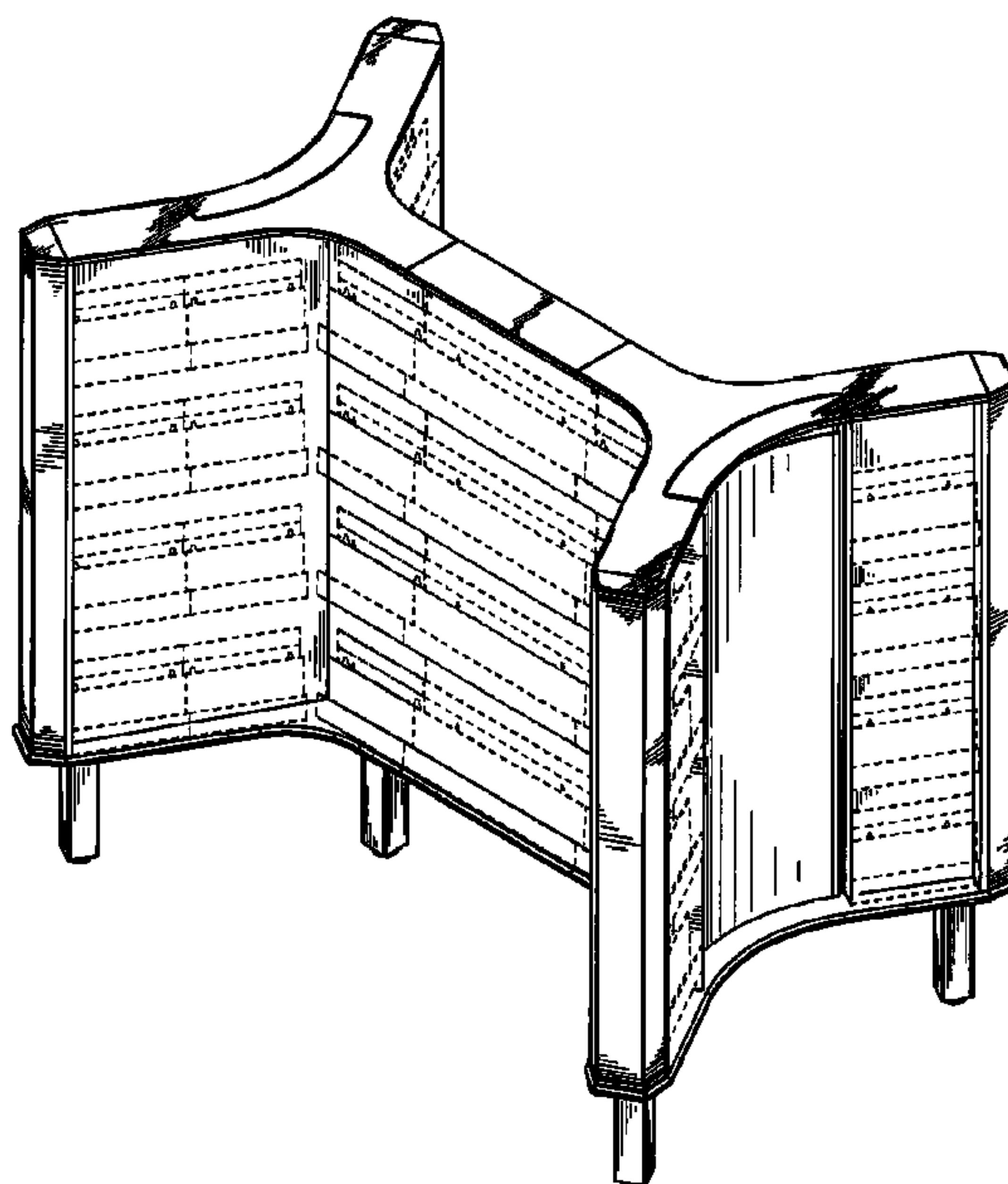
FIG. 3 is a right side elevation view, the left side elevation view being a mirror image thereof;

FIG. 4 is a top plan view thereof; and,

FIG. 5 is a bottom plan view thereof.

The broken line showing of shelves is included for the purpose of illustrating environmental structure and forms no part of the claimed design.

1 Claim, 3 Drawing Sheets



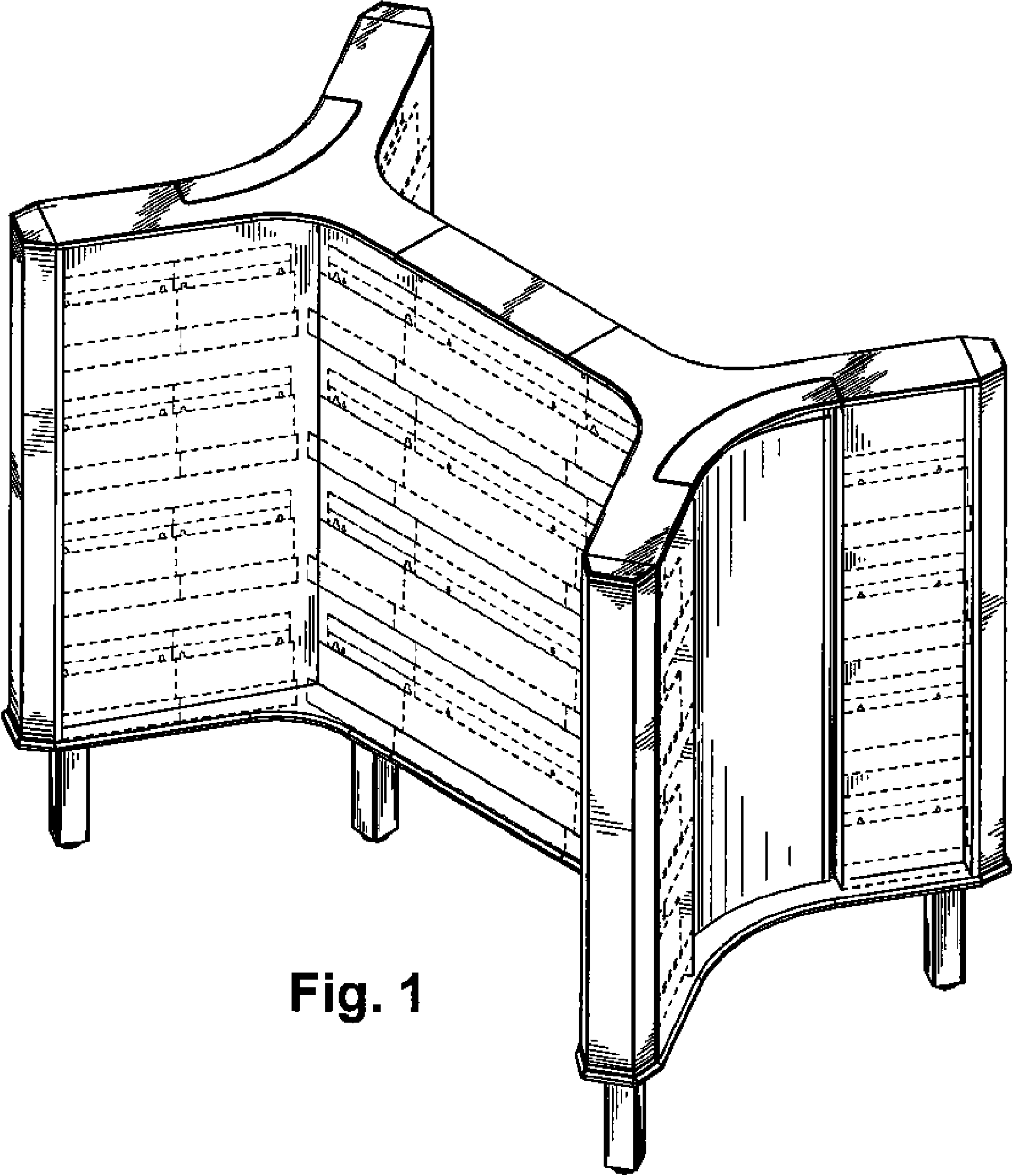


Fig. 1

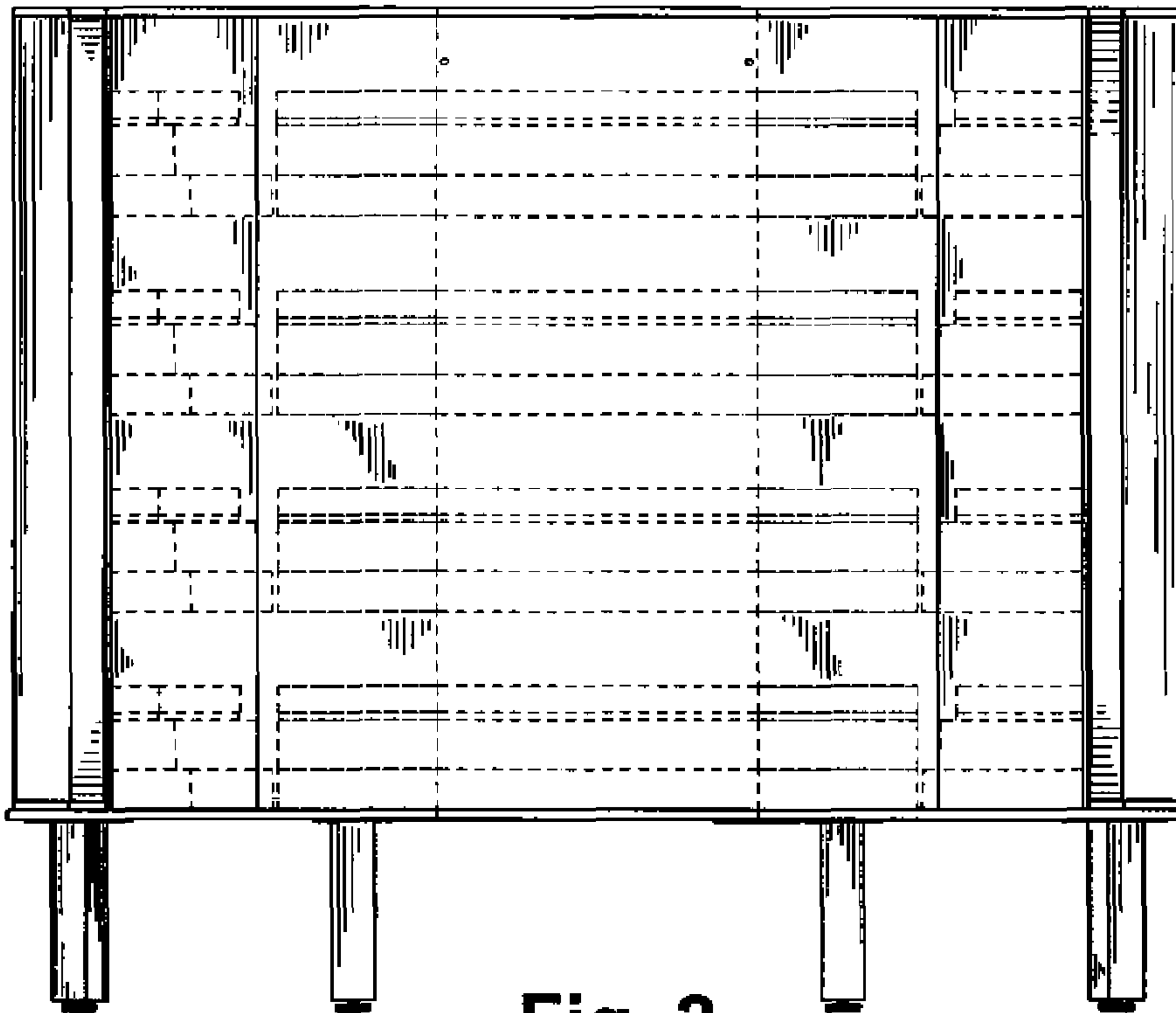


Fig. 2

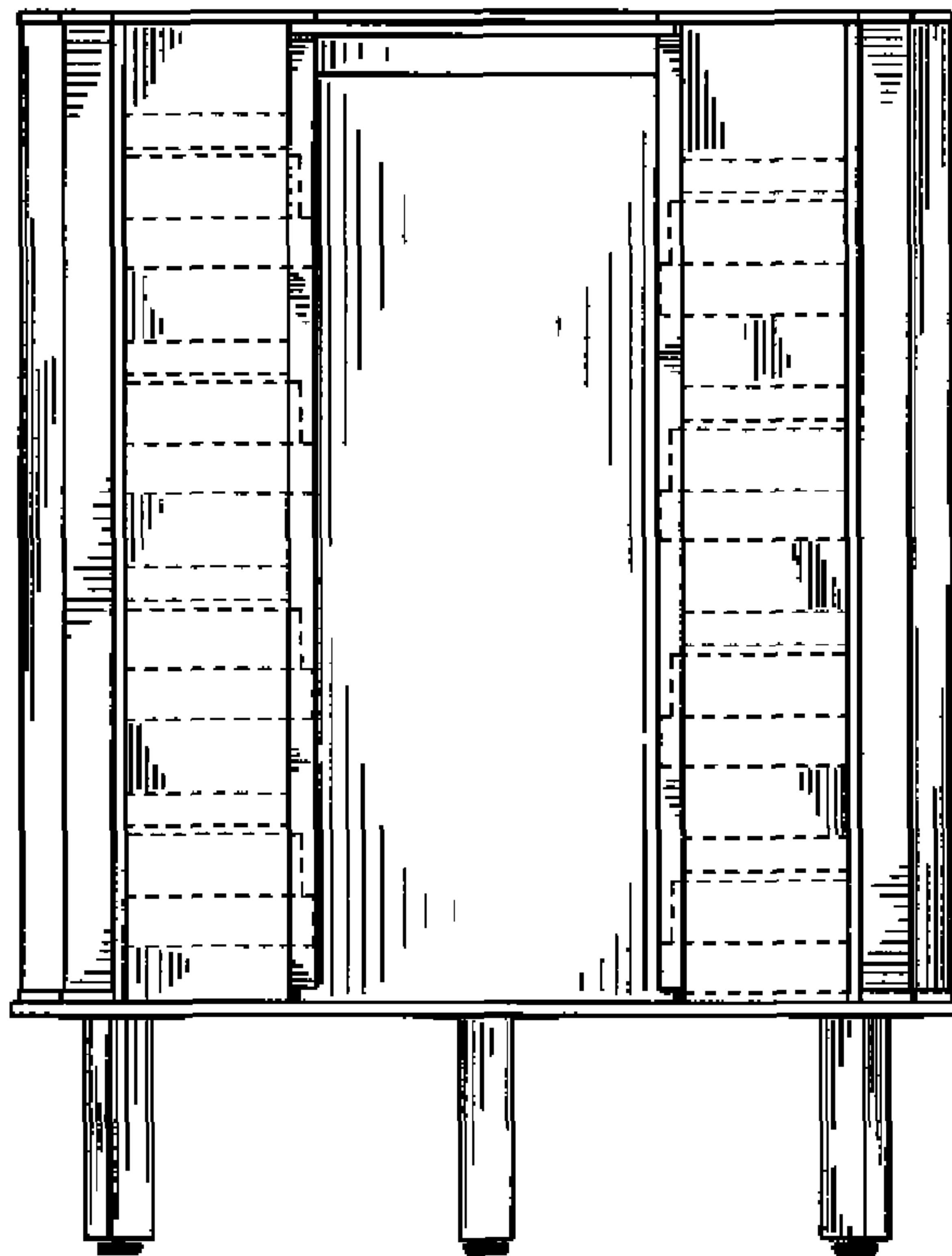


Fig. 3

