



US00D584068S

(12) **United States Design Patent**  
**Figueras Mitjans**

(10) **Patent No.:** **US D584,068 S**

(45) **Date of Patent:** **\*\* Jan. 6, 2009**

(54) **CHAIR**

(75) Inventor: **José Figueras Mitjans**, Llicà D'Amunt (ES)

(73) Assignee: **Figueras International Seating, S.A.**, Llica D'Amunt (Barcelona) (ES)

(\*\*) Term: **14 Years**

(21) Appl. No.: **29/298,070**

(22) Filed: **Nov. 28, 2007**

(30) **Foreign Application Priority Data**

May 29, 2007 (EM) ..... 000731377-0001

(51) **LOC (9) Cl.** ..... **06-01**

(52) **U.S. Cl.** ..... **D6/375**

(58) **Field of Classification Search** ..... D6/334-336, D6/370, 371, 372, 373, 374, 375, 376, 379, D6/380, 500-502; 297/411.42, 445.1, 446.1, 297/448.1, 448.2

See application file for complete search history.

(56) **References Cited**

**U.S. PATENT DOCUMENTS**

D344,194 S \* 2/1994 Gibbs ..... D6/373  
D357,135 S \* 4/1995 Hess ..... D6/373

D358,721 S \* 5/1995 Hess ..... D6/373  
D366,573 S \* 1/1996 Hess ..... D6/373  
D378,253 S \* 3/1997 Frinier ..... D6/375  
D431,727 S \* 10/2000 Bell ..... D6/373  
D467,444 S \* 12/2002 Hess et al. .... D6/373

\* cited by examiner

*Primary Examiner*—Mimosa De

(74) *Attorney, Agent, or Firm*—Lucas & Mercanti, LLP

(57) **CLAIM**

The ornamental design for a chair, substantially as shown and described.

**DESCRIPTION**

FIG. 1 is a left-front side perspective view of my chair design;

FIG. 2 is a left-back side perspective view of my chair design;

FIG. 3 is bottom plan view of my chair design;

FIG. 4 is a back view of my chair design;

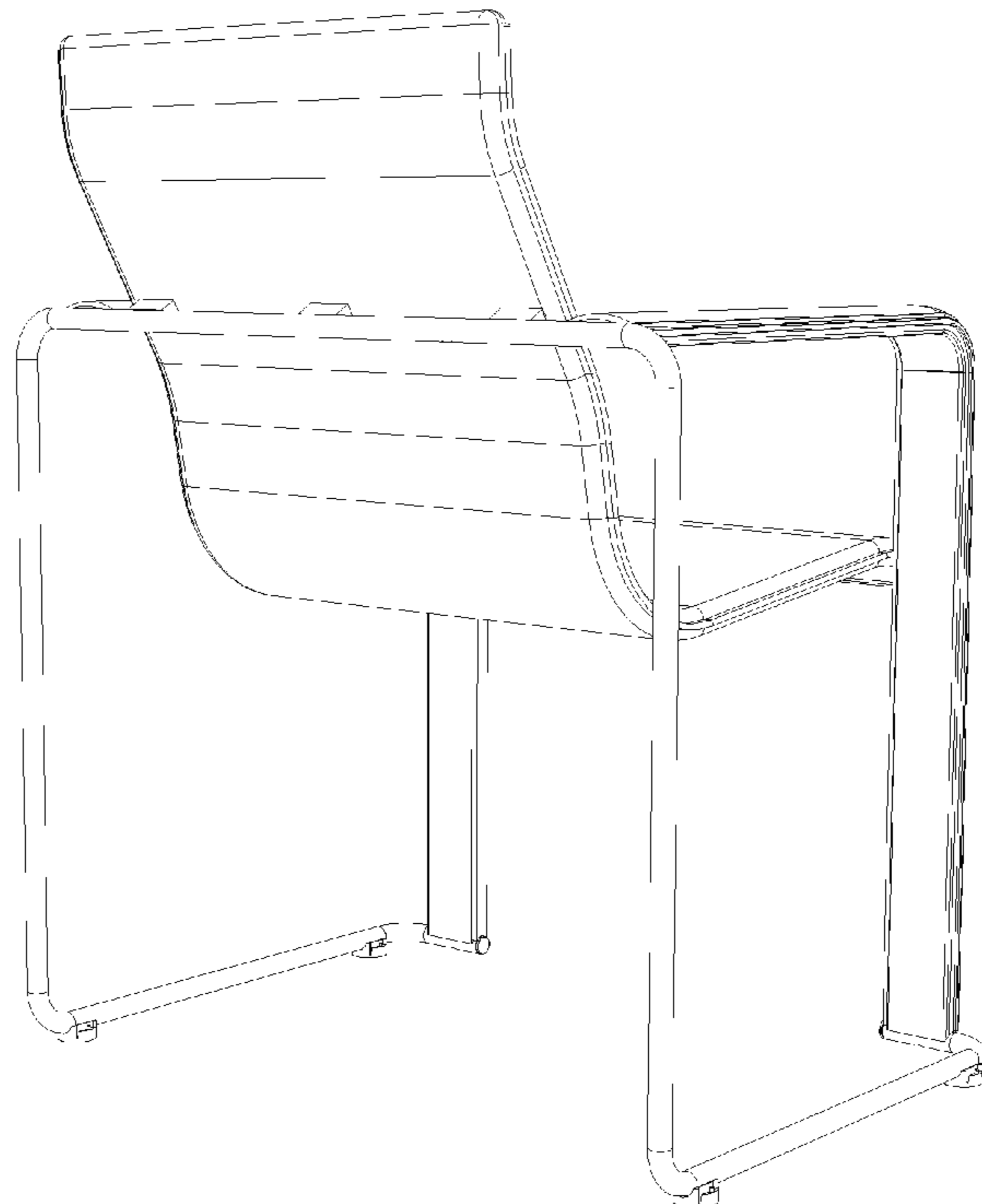
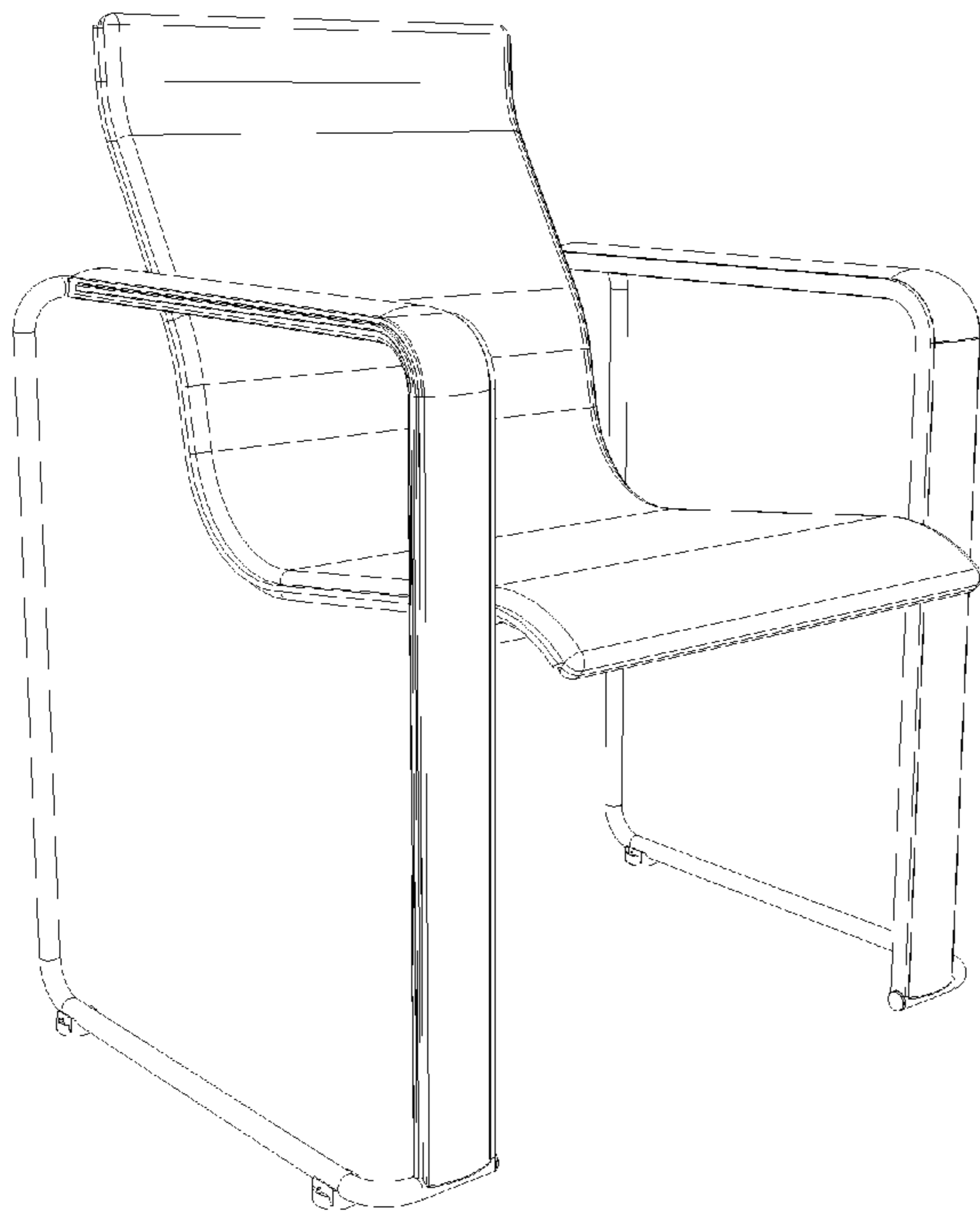
FIG. 5 is a front view of my chair design;

FIG. 6 is a left-side view of my chair design; and,

FIG. 7 is a top plan view of my chair design.

Right-side plan view of the chair is mirror image to the left-side plane view in FIG. 6, and the drawing of it is therefore omitted.

**1 Claim, 4 Drawing Sheets**



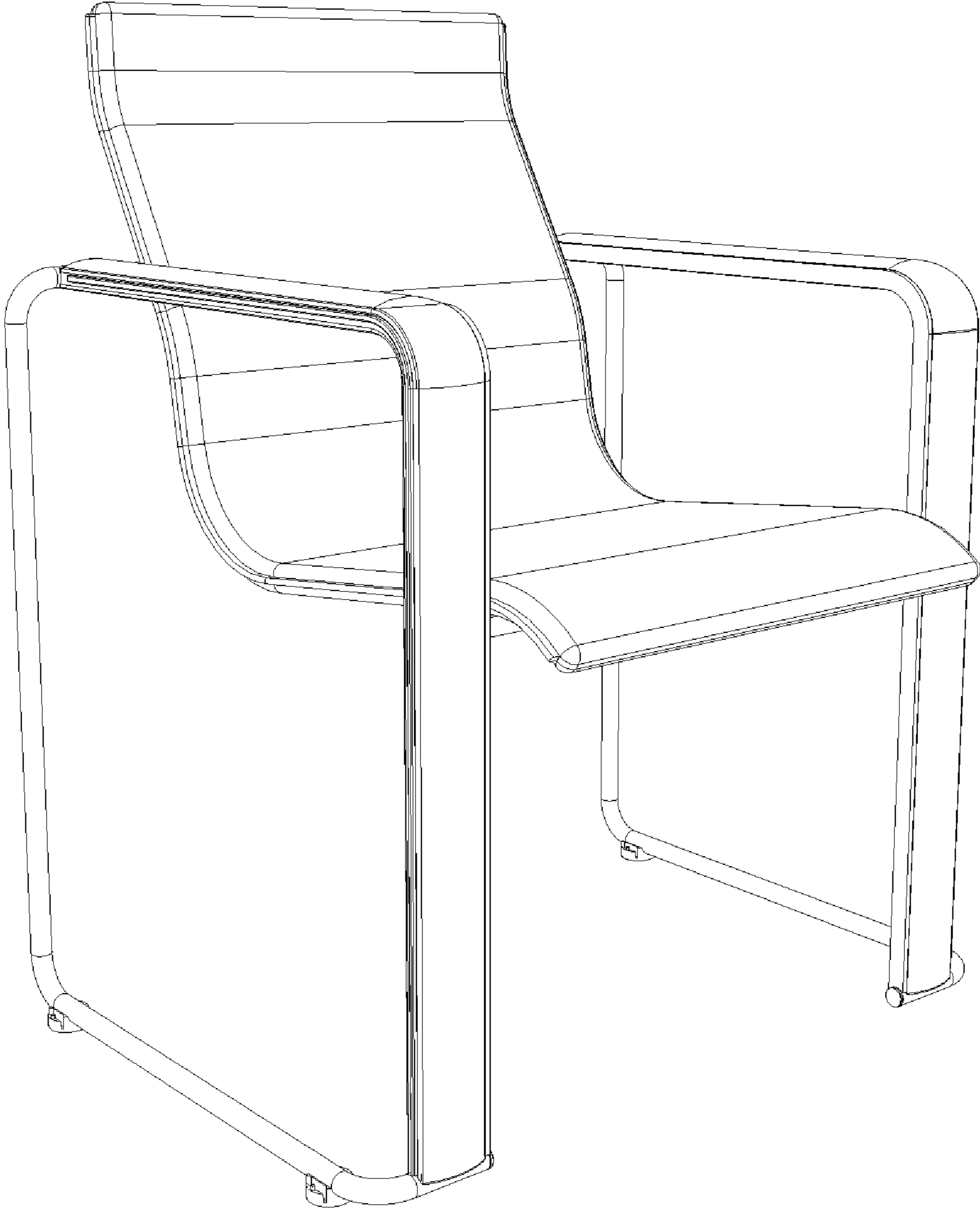


Fig. 1

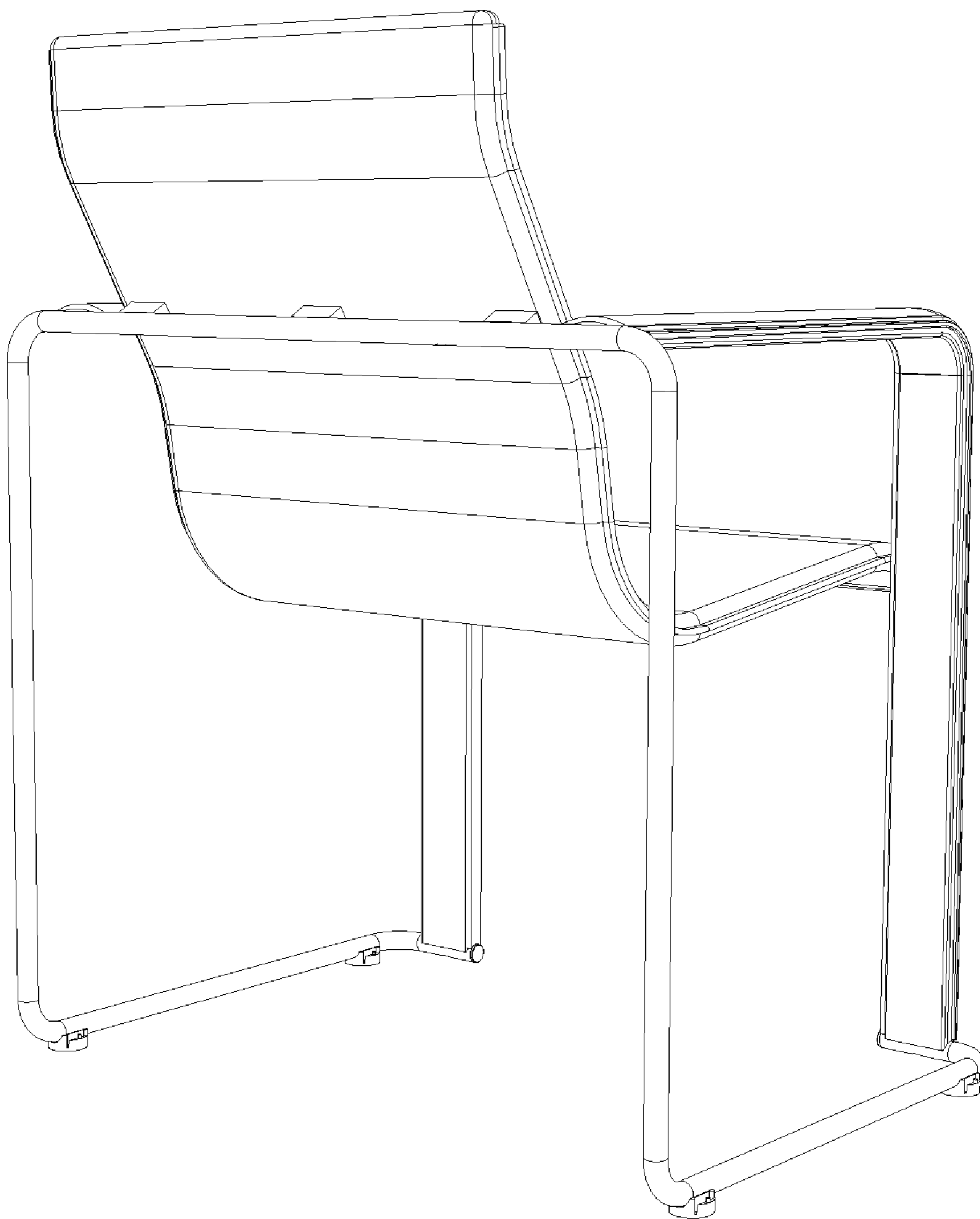


Fig. 2

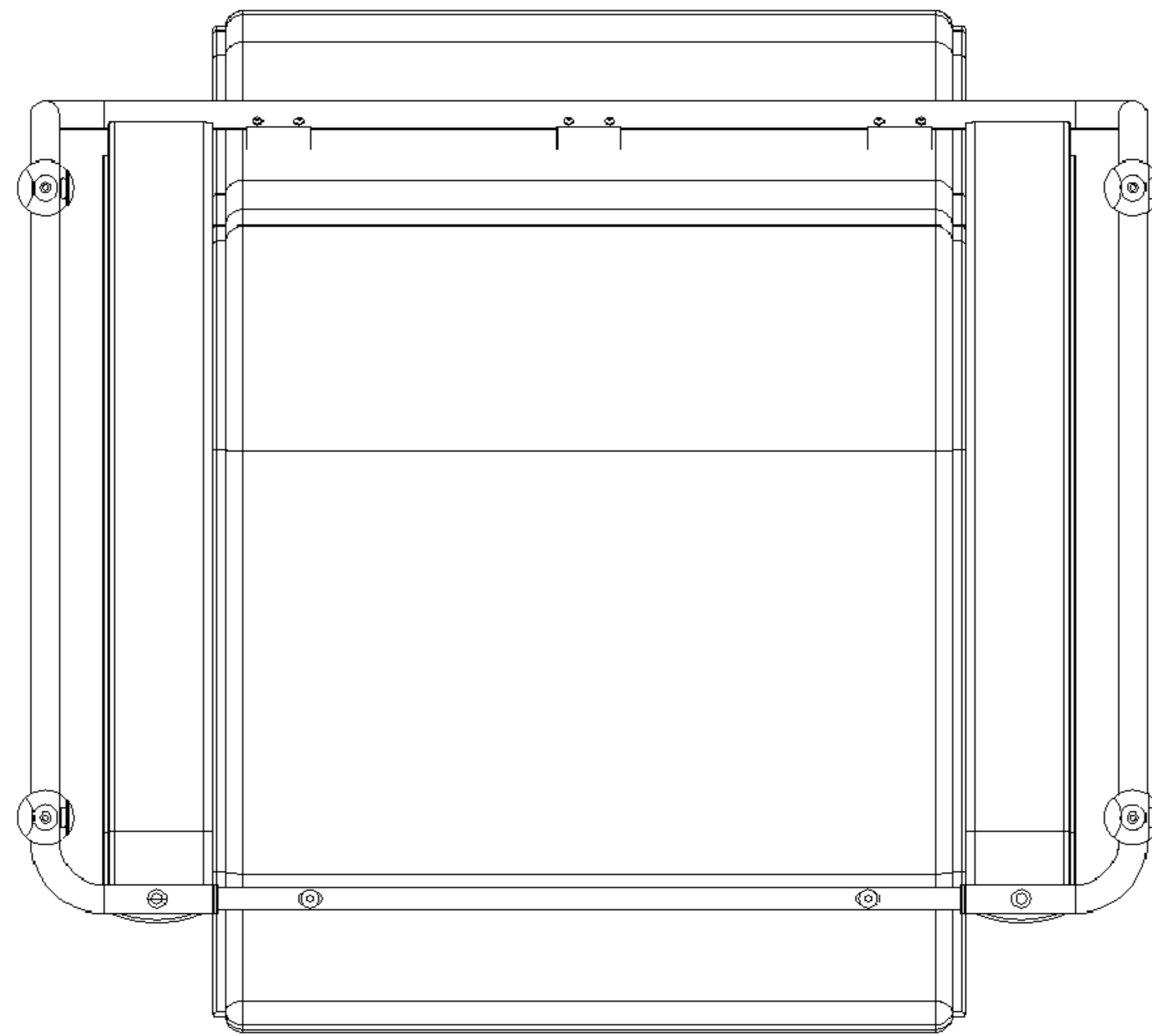


Fig. 3

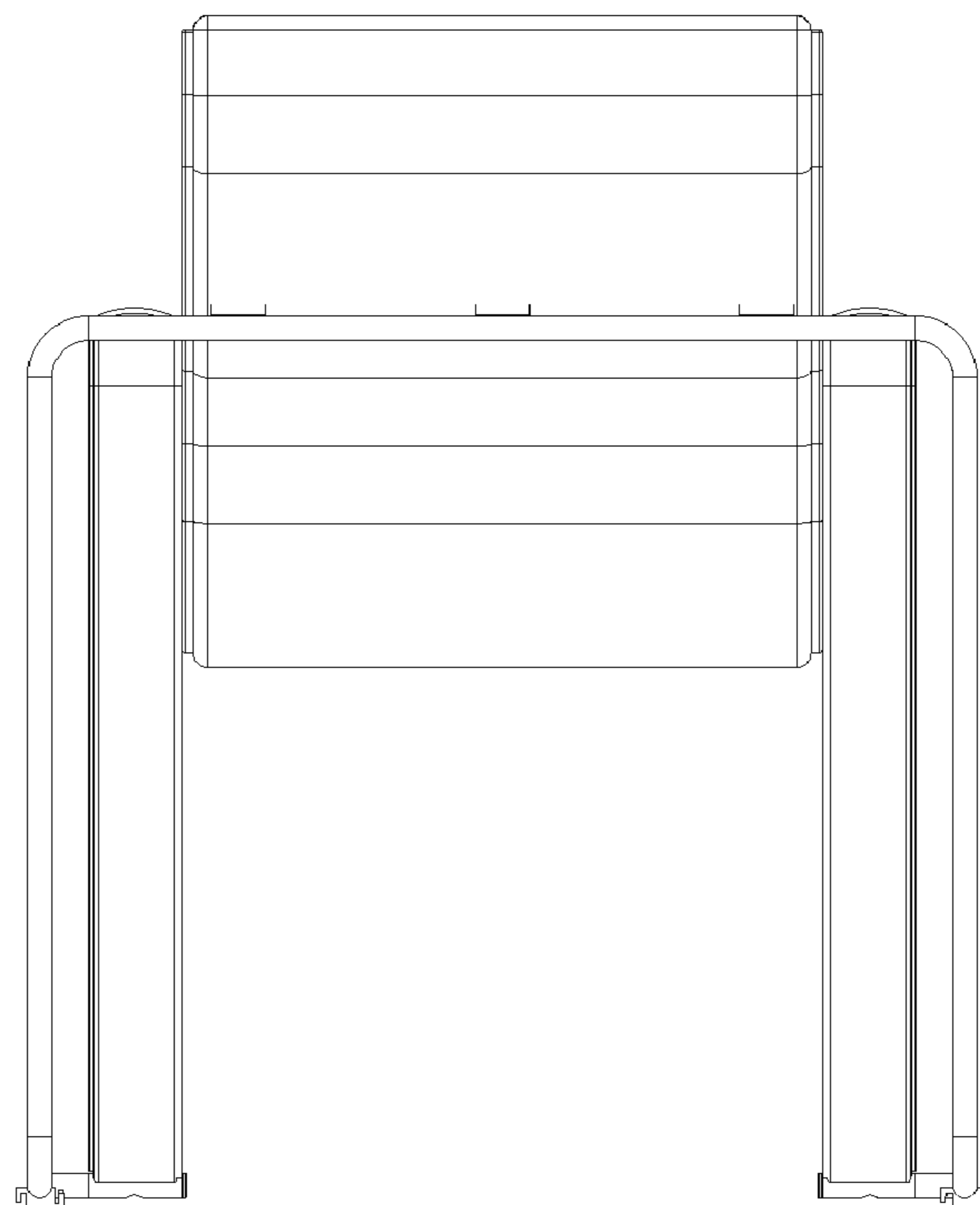


Fig. 4

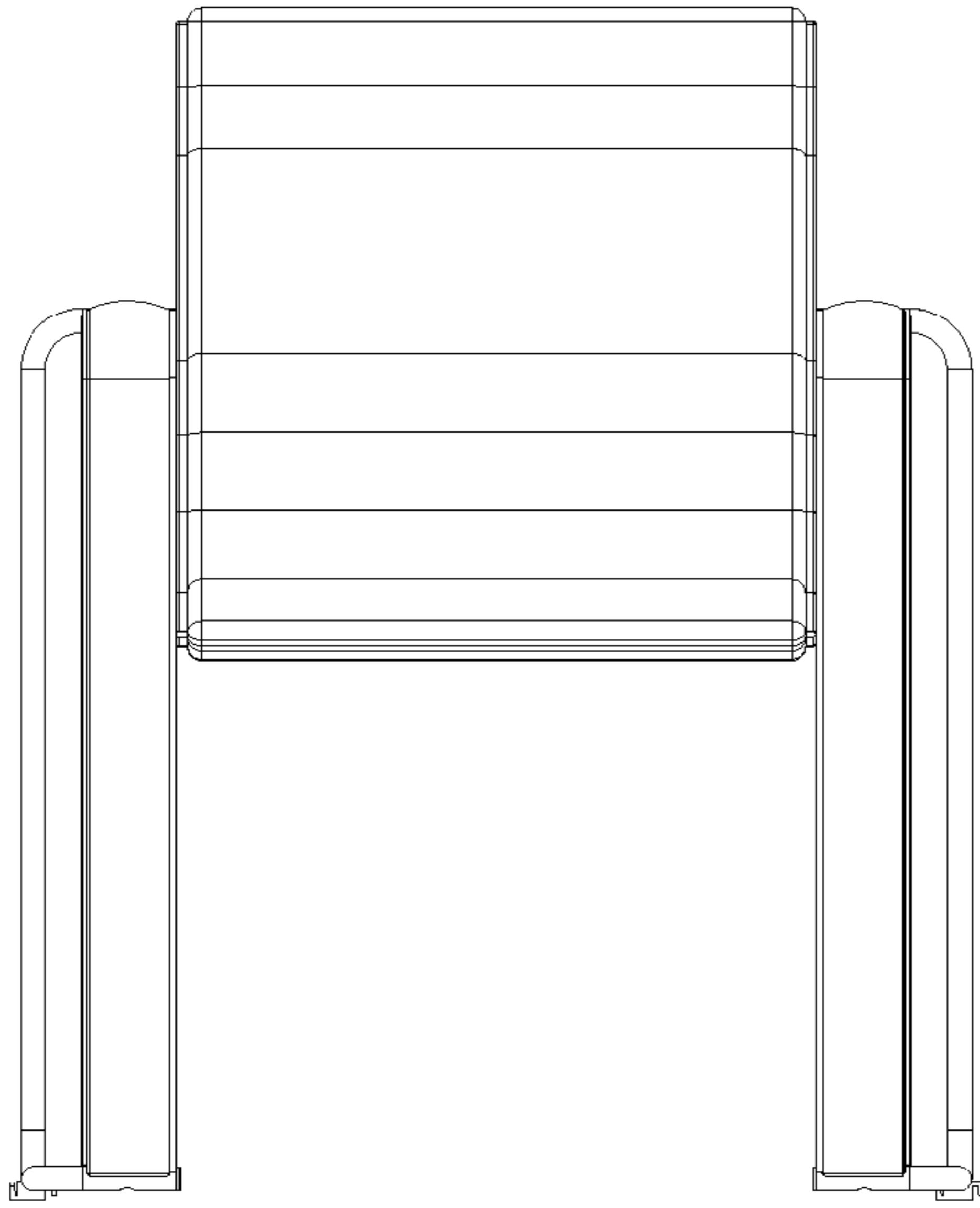


Fig. 5

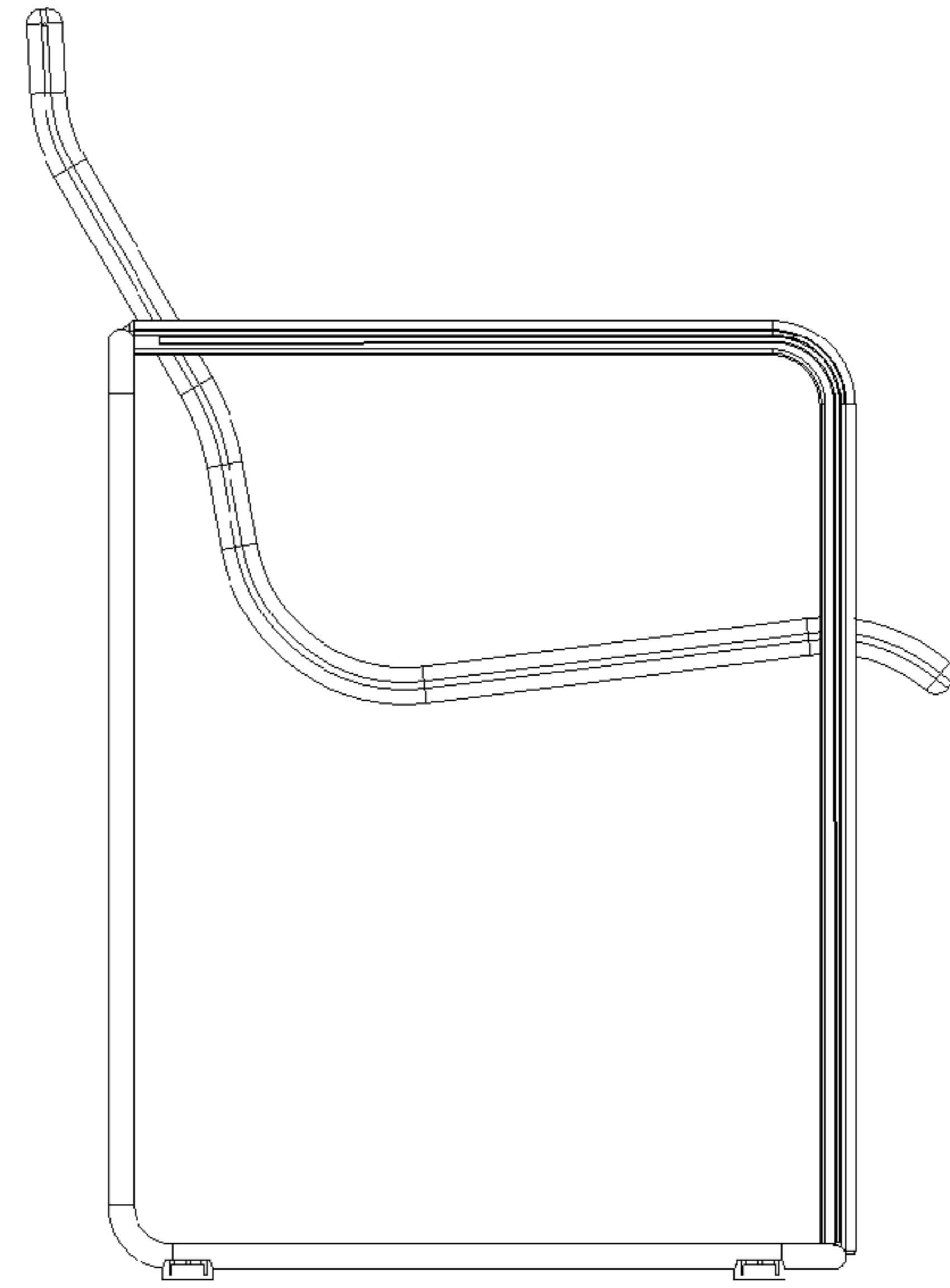


Fig. 6

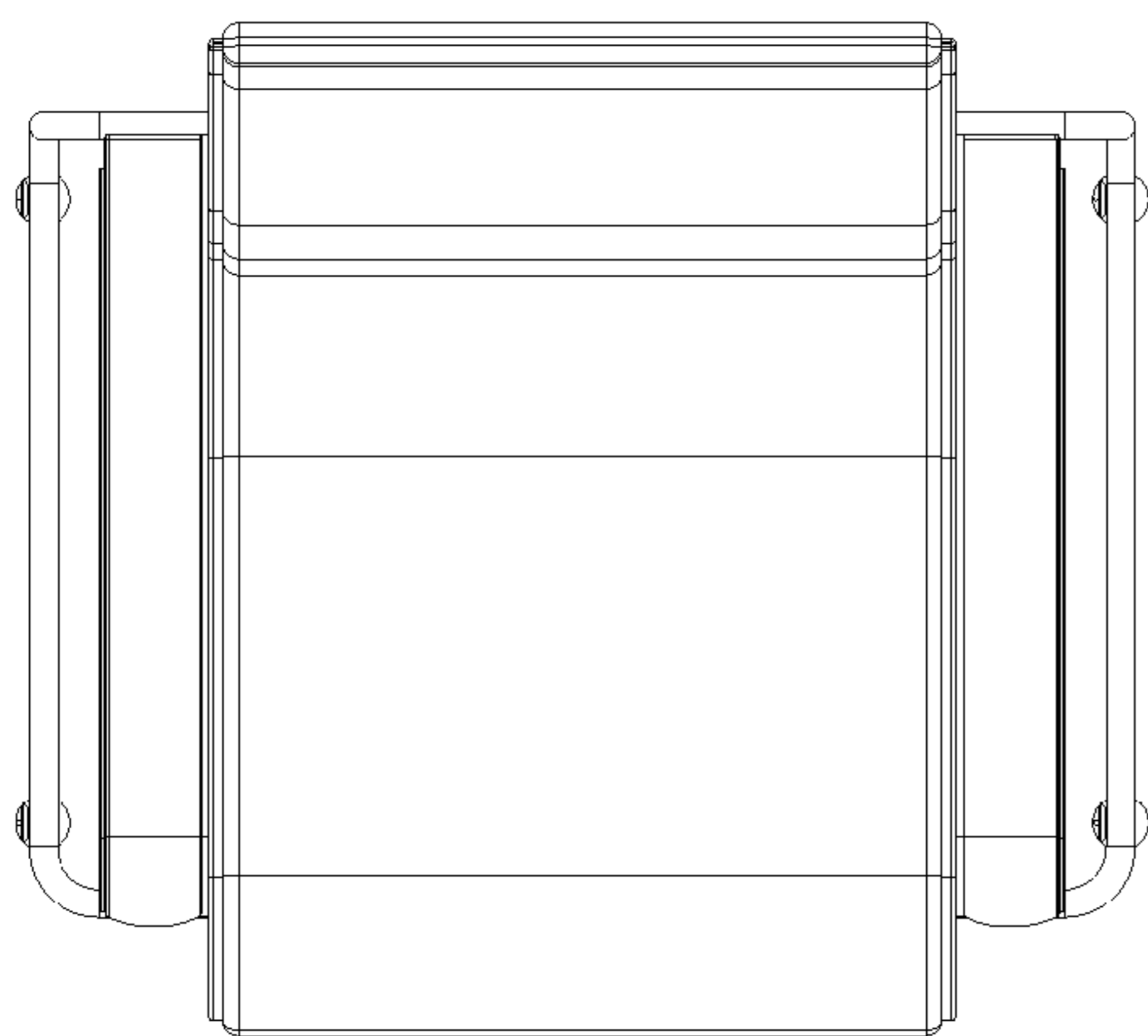


Fig. 7