

US00D584067S

(12) **United States Design Patent**  
**Koukios**

(10) **Patent No.:** **US D584,067 S**

(45) **Date of Patent:** **\*\* Jan. 6, 2009**

(54) **CHAIR**

(76) Inventor: **Peter Koukios**, 2736 SW. 23 St., Miami,  
FL (US) 33145

(\*\*) Term: **14 Years**

(21) Appl. No.: **29/280,793**

(22) Filed: **Jun. 7, 2007**

(51) **LOC (9) Cl.** ..... **06-01**

(52) **U.S. Cl.** ..... **D6/375; D6/377**

(58) **Field of Classification Search** ..... D6/358,  
D6/375, 377, 371, 372, 373; 297/411.36,  
297/452.21, 452.29, 284.4, 452.3, 452.35,  
297/452.38

See application file for complete search history.

(56) **References Cited**

**U.S. PATENT DOCUMENTS**

D246,554 S *	12/1977	Fisher	.....	D6/373
D266,378 S *	10/1982	Offredi	.....	D6/371
D284,814 S *	7/1986	Culler	.....	D6/375
D284,915 S *	8/1986	Nemschoff et al.	.....	D6/375
D438,398 S *	3/2001	Frinier	.....	D6/375
D502,818 S *	3/2005	Thompson	.....	D6/373
D510,486 S *	10/2005	Karl	.....	D6/334
D513,898 S *	1/2006	Frey	.....	D6/368
D514,340 S *	2/2006	Frey	.....	D6/368
D517,823 S *	3/2006	Sterner	.....	D6/372

D518,303 S *	4/2006	Vira	.....	D6/368
D522,264 S *	6/2006	Dekker et al.	.....	D6/368
D532,985 S *	12/2006	Mitjans	.....	D6/368
D555,925 S *	11/2007	Mercs	.....	D6/368
D560,382 S *	1/2008	Brooks	.....	D6/368
D564,769 S *	3/2008	Alter Molina et al.	.....	D6/371

\* cited by examiner

*Primary Examiner*—Caron Veynar

*Assistant Examiner*—Katrina A Kile

(74) *Attorney, Agent, or Firm*—Luca D'Ottone

(57) **CLAIM**

I claim the ornamental design for a chair, as shown and described.

**DESCRIPTION**

FIG. 1 is a perspective front view of a chair showing my new design;

FIG. 2 is a perspective rear view thereof;

FIG. 3 is a front view thereof;

FIG. 4 is a right side view thereof;

FIG. 5 is a left side view thereof;

FIG. 6 is a top view thereof;

FIG. 7 is a rear view thereof; and,

FIG. 8 is a bottom view thereof.

**1 Claim, 8 Drawing Sheets**

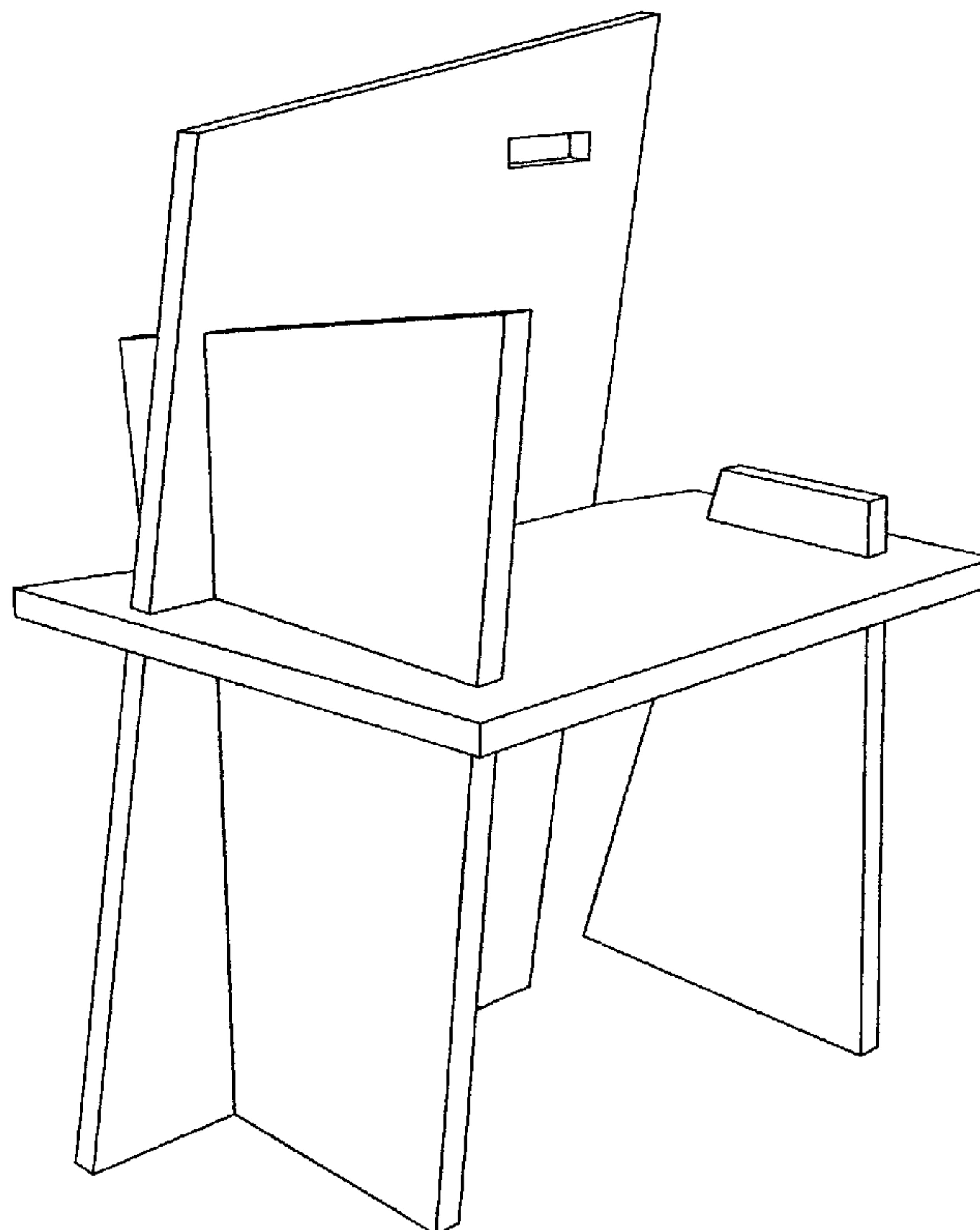


FIG. 1

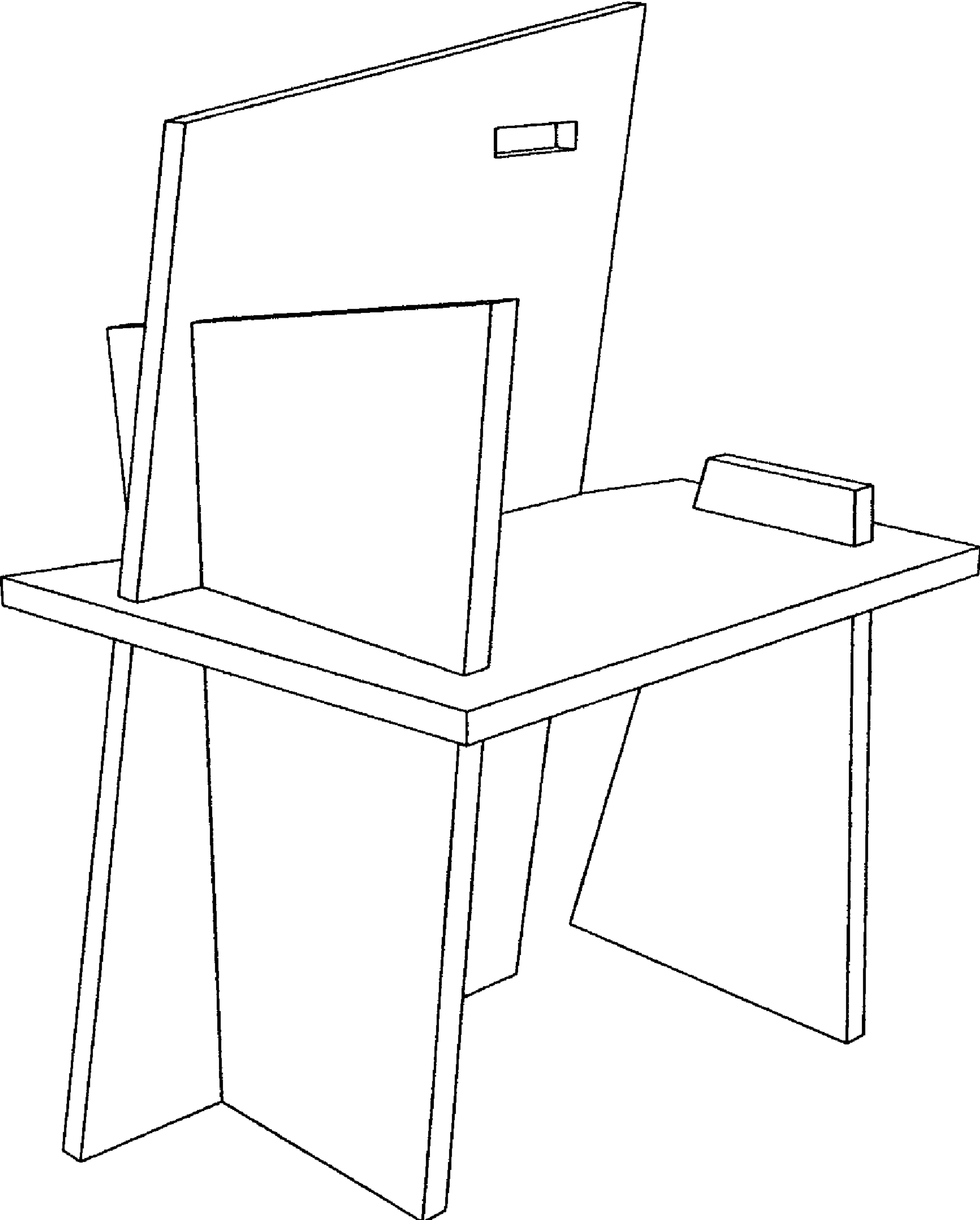


FIG. 2

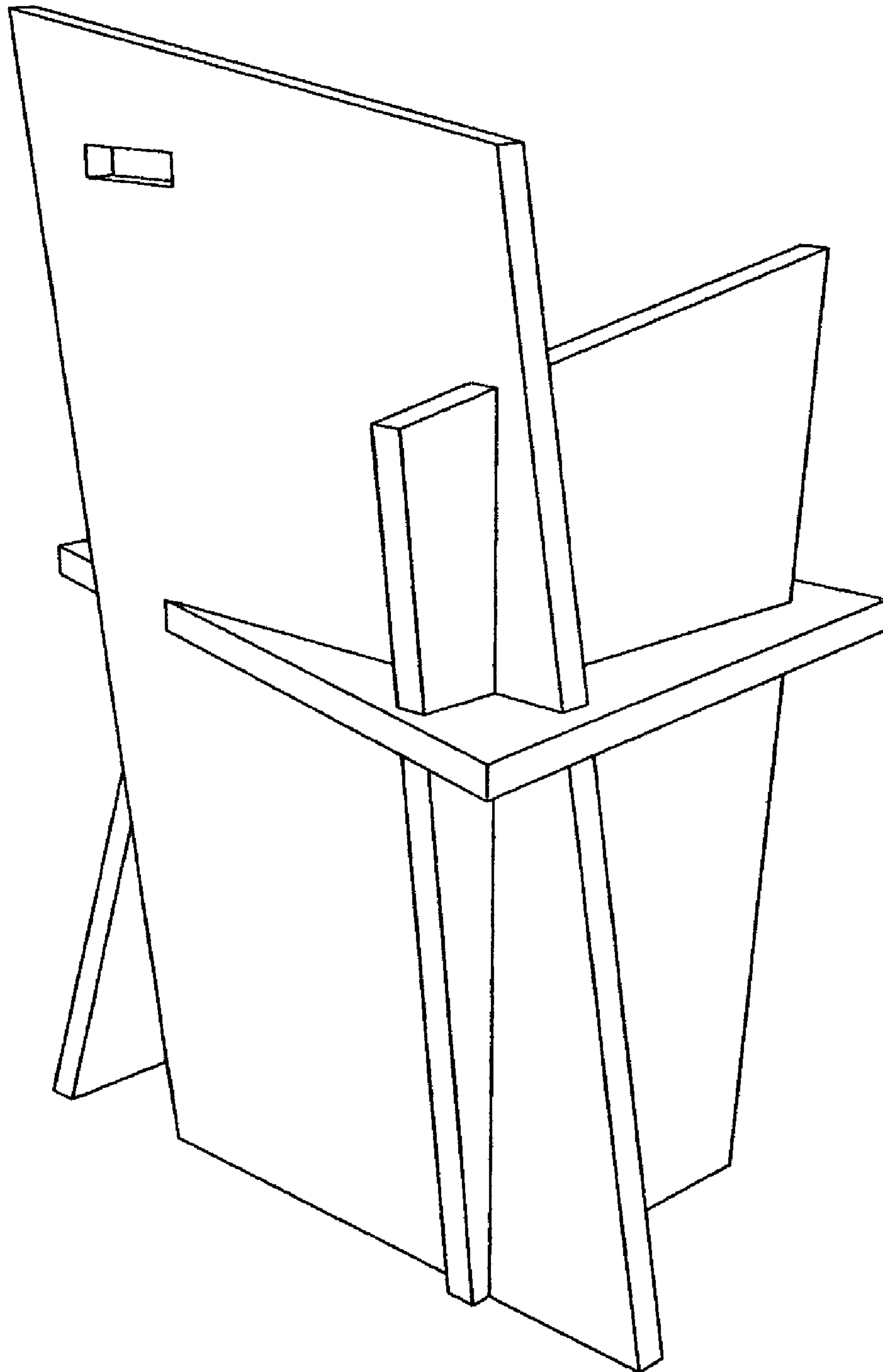


FIG. 3

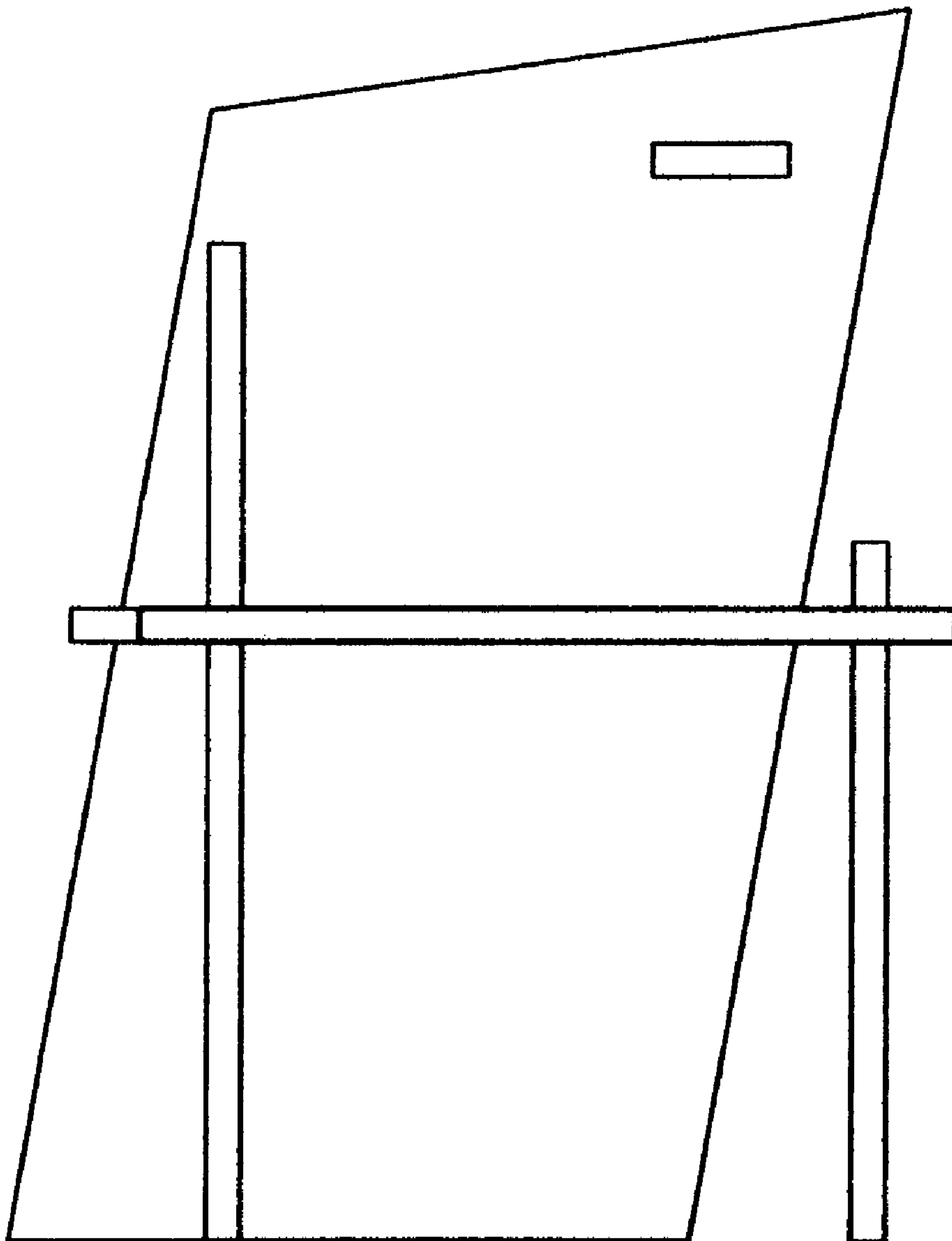


FIG. 4

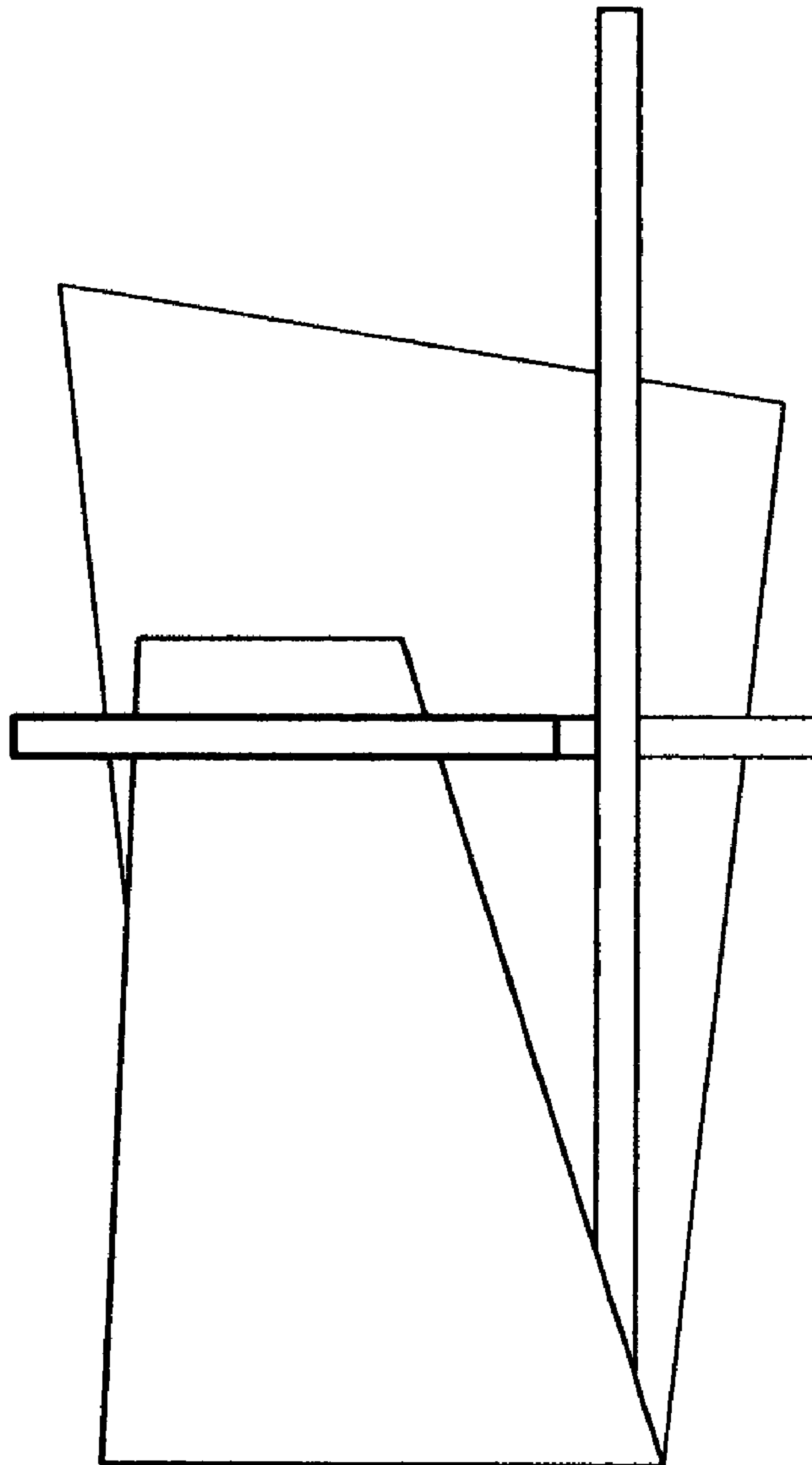


FIG. 5

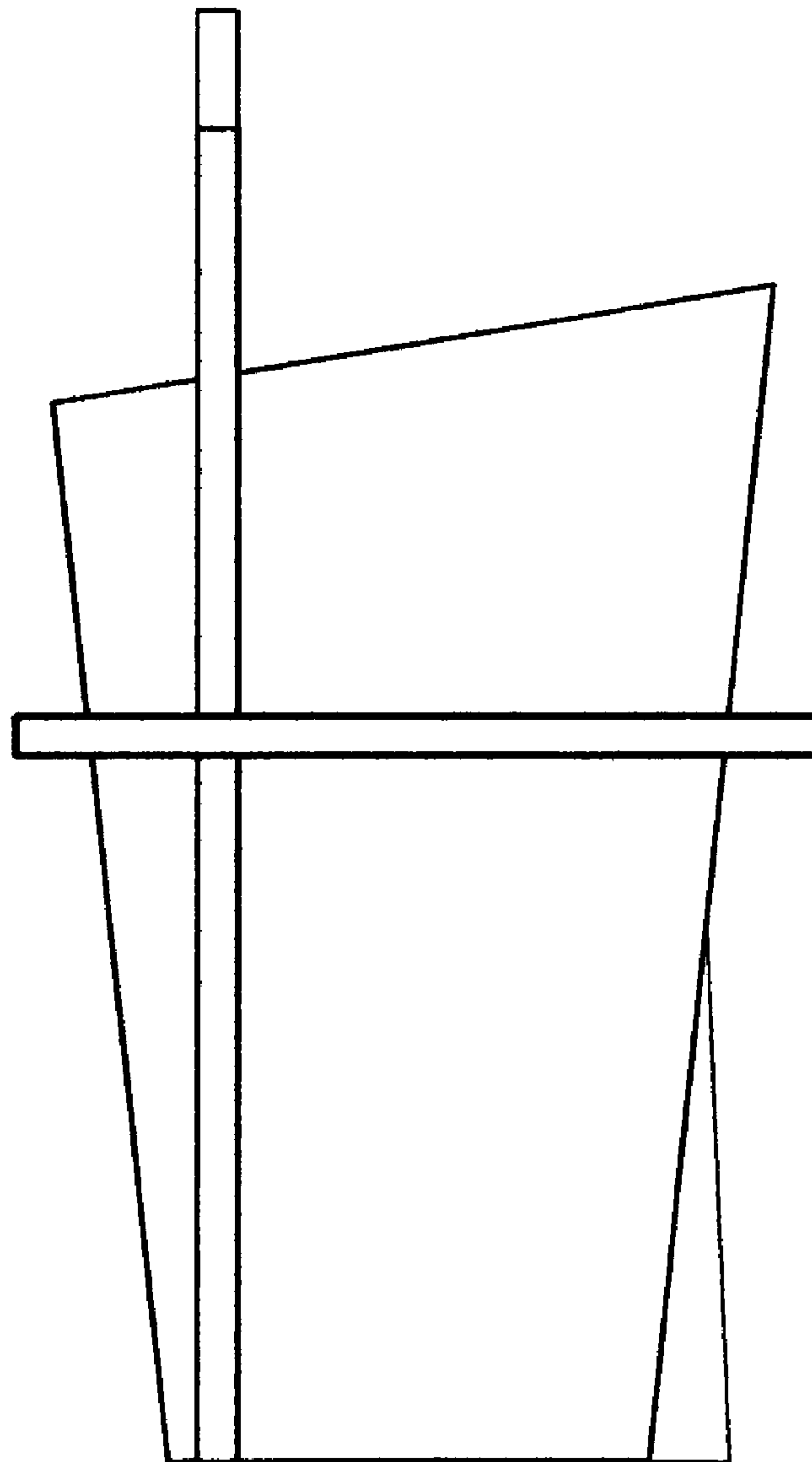


FIG. 6

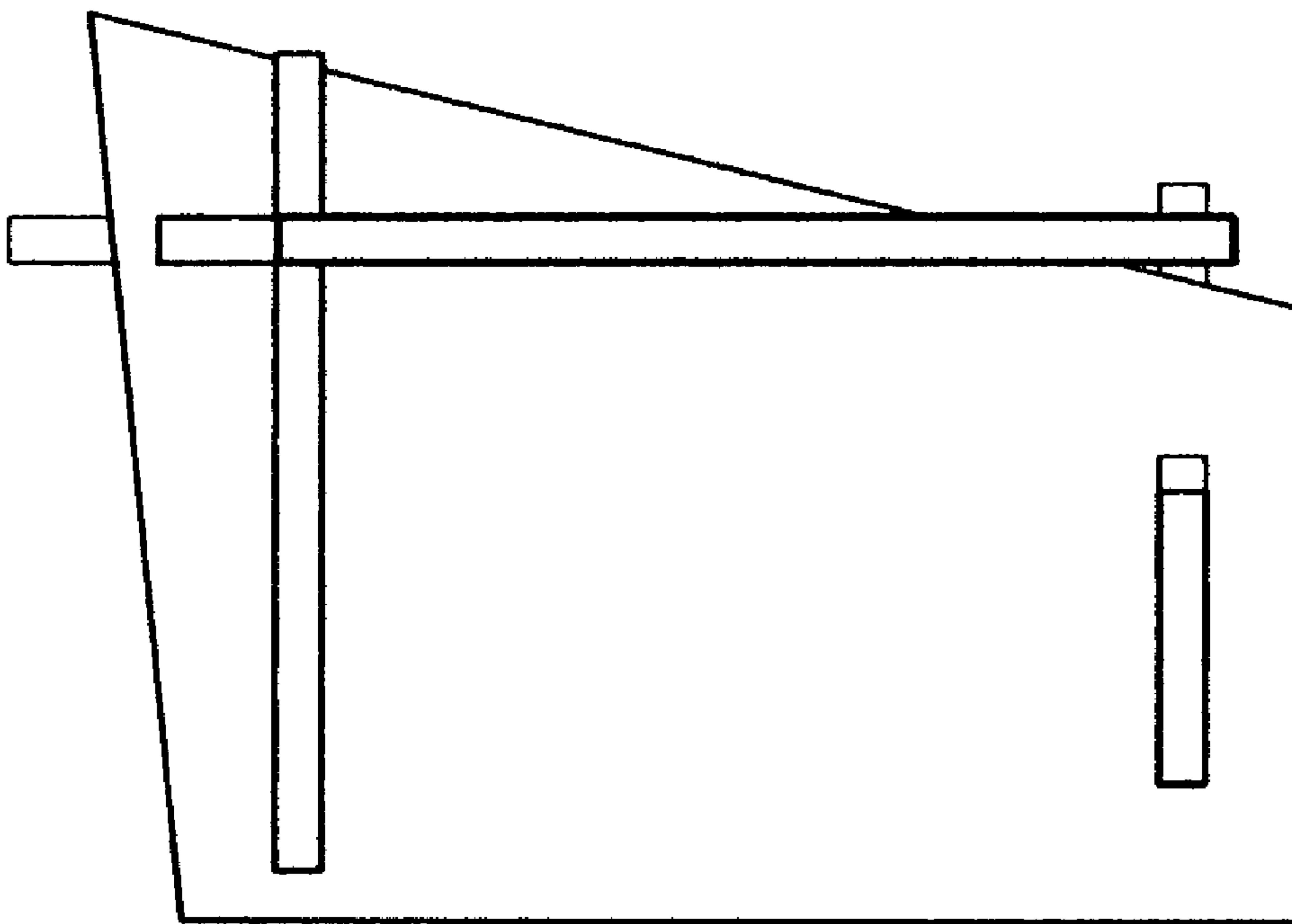


FIG. 7

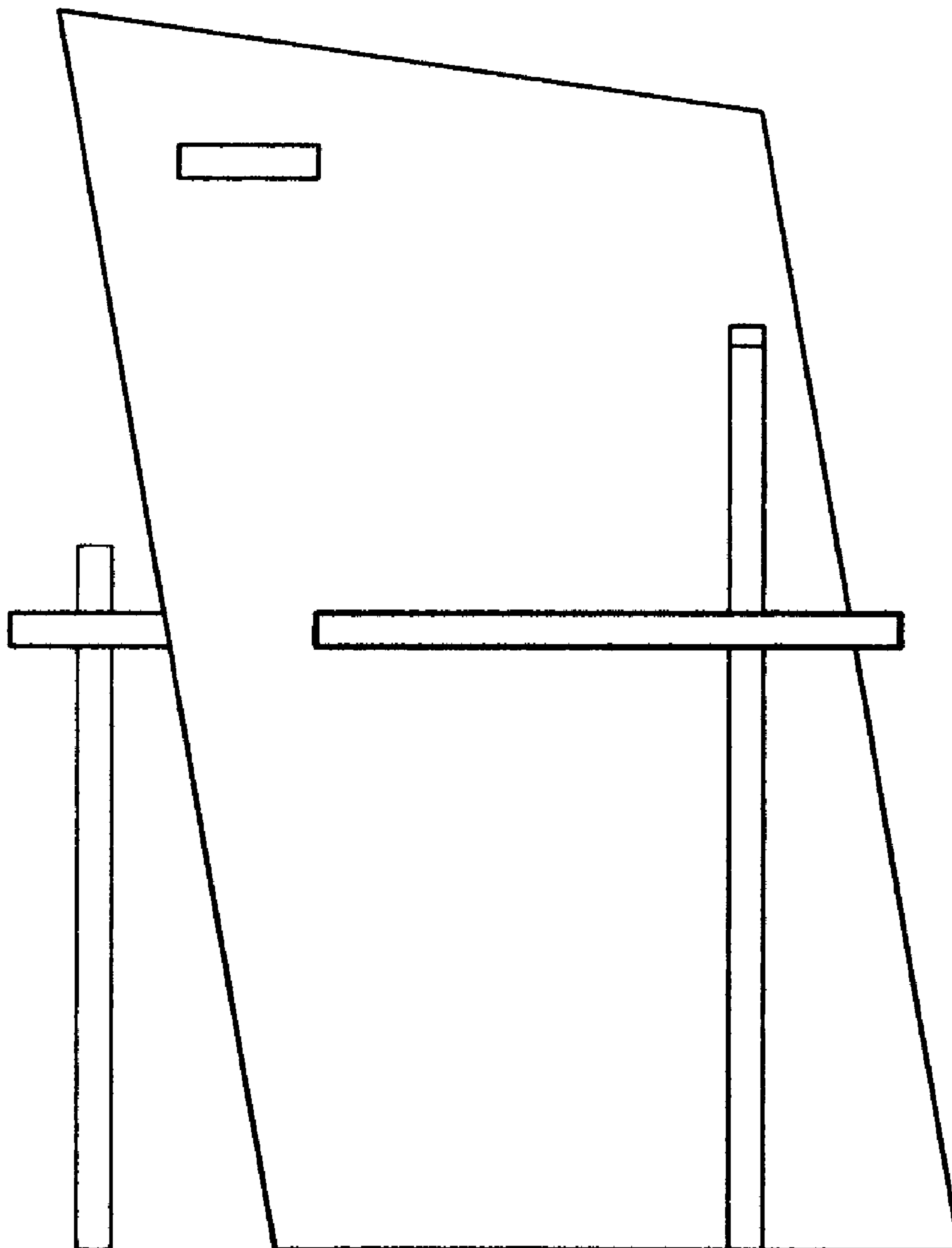




FIG. 8

