



US00D584060S

(12) **United States Design Patent**  
**Hay et al.**

(10) **Patent No.:** **US D584,060 S**  
(45) **Date of Patent:** **\*\* Jan. 6, 2009**

(54) **HANDLE WITH BASE FOR CLEANING IMPLEMENT**

(75) Inventors: **Christopher James McCaughan Hay**,  
Hong Kong (HK); **Mark Armstrong**,  
New South West (AU)

(73) Assignee: **Hayco Manufacturing Limited**,  
Causeway Bay (HK)

(\*\*) Term: **14 Years**

(21) Appl. No.: **29/287,165**

(22) Filed: **Jul. 5, 2007**

**Related U.S. Application Data**

(63) Continuation of application No. 29/241,386, filed on  
Oct. 27, 2005, now abandoned.

(51) **LOC (9) Cl.** ..... **04-01**

(52) **U.S. Cl.** ..... **D4/138; D4/134**

(58) **Field of Classification Search** ..... D4/101,  
D4/104, 119, 120, 131-134, 138; D7/393,  
D7/395, 401.2; D8/107, 300, 303; D32/51;  
15/143.1, 159.1, 160, 186-188; 16/110.1,  
16/430, 431, DIG. 12, DIG. 19; 81/489  
See application file for complete search history.

(56) **References Cited**

**U.S. PATENT DOCUMENTS**

D165,862 S	2/1952	Partridge	
D176,304 S	12/1955	Bennett	
D176,554 S	1/1956	Racicot	
D373,904 S	9/1996	Vanderhoef et al.	
D412,641 S *	8/1999	Schiffer	D7/395
D465,930 S	11/2002	Offer et al.	
D483,186 S	12/2003	Libman et al.	
6,681,775 B2	1/2004	Wang	

**FOREIGN PATENT DOCUMENTS**

JP	11-33072	2/1999
JP	2002-191435	7/2002

\* cited by examiner

*Primary Examiner*—Cathron C Brooks

*Assistant Examiner*—Lavone D Tabor

(74) *Attorney, Agent, or Firm*—Buchanan Ingersoll &  
Rooney PC

(57) **CLAIM**

The ornamental design for a handle with base for cleaning  
implement, as shown and described.

**DESCRIPTION**

FIG. 1 is a perspective view showing one embodiment of a  
“handle with base for cleaning implement” incorporating the  
design;

FIG. 2 is a top view thereof;

FIG. 3 is a bottom view thereof;

FIG. 4 is a side view thereof;

FIG. 5 is another side view thereof;

FIG. 6 is a front view thereof;

FIG. 7 is a rear view thereof;

FIG. 8 is a perspective view showing another embodiment of  
a “handle with base for cleaning implement” incorporating  
the design;

FIG. 9 is a top view thereof;

FIG. 10 is a bottom view thereof;

FIG. 11 is a side view thereof;

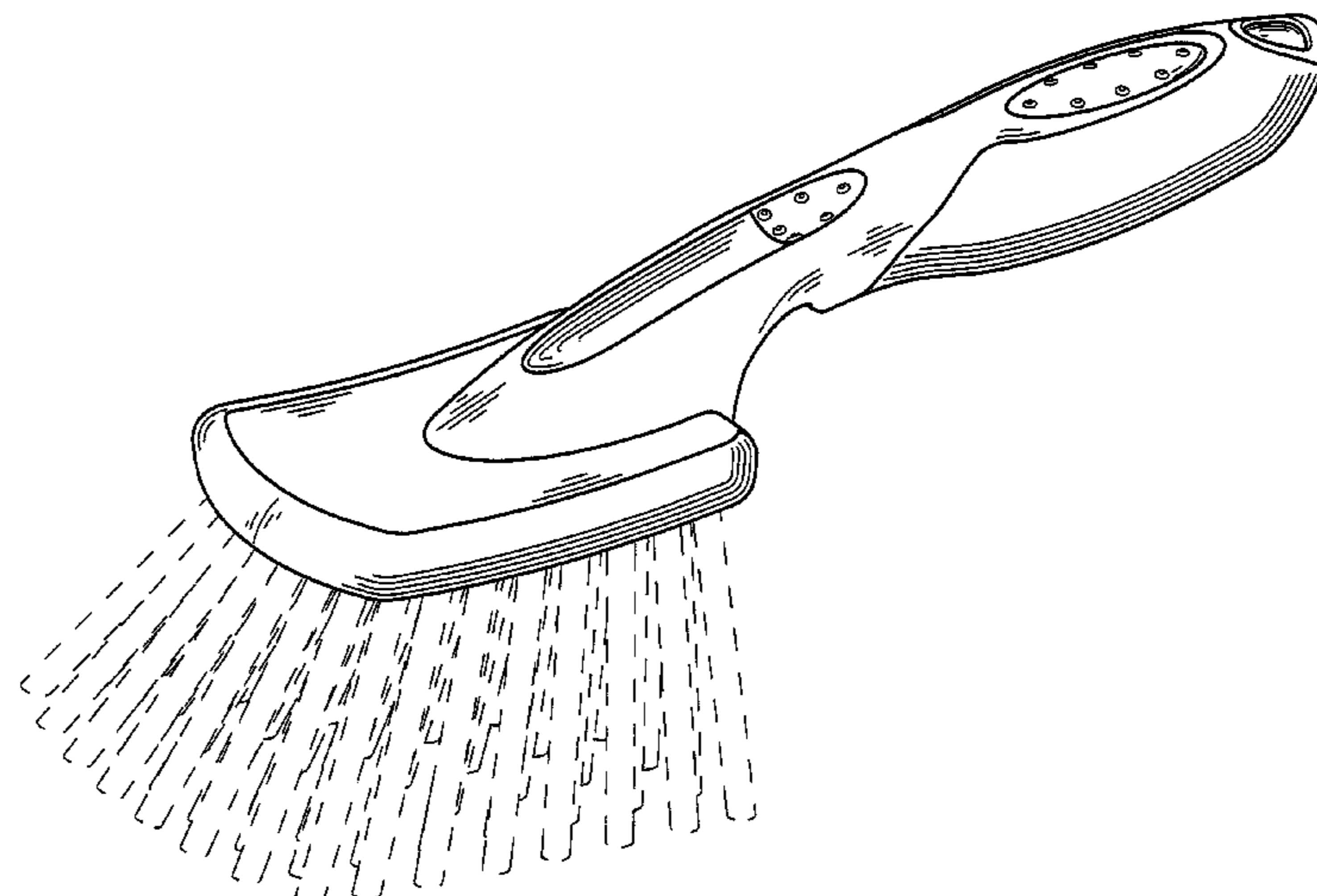
FIG. 12 is another side view thereof;

FIG. 13 is a front view thereof; and,

FIG. 14 is a rear view thereof.

The phantom lines showing the bristles of the cleaning imple-  
ment in FIGS. 1 to 14 depict the environment of our new  
design and form no part of the claimed design. The dotted area  
of the set shown in FIGS. 8 to 14 indicates that the area has  
different surface pattern and/or ornament.

**1 Claim, 14 Drawing Sheets**



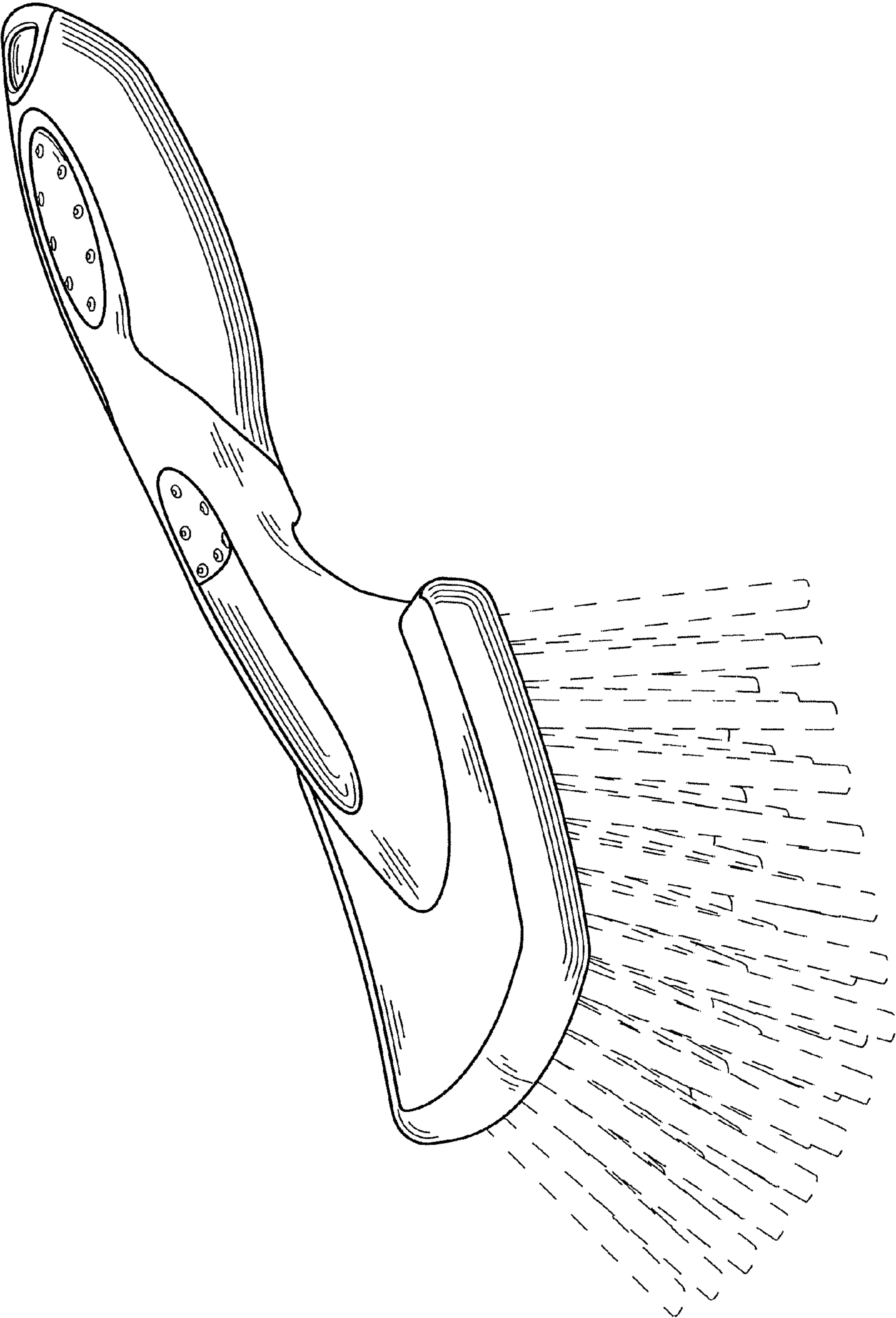


FIG. 1

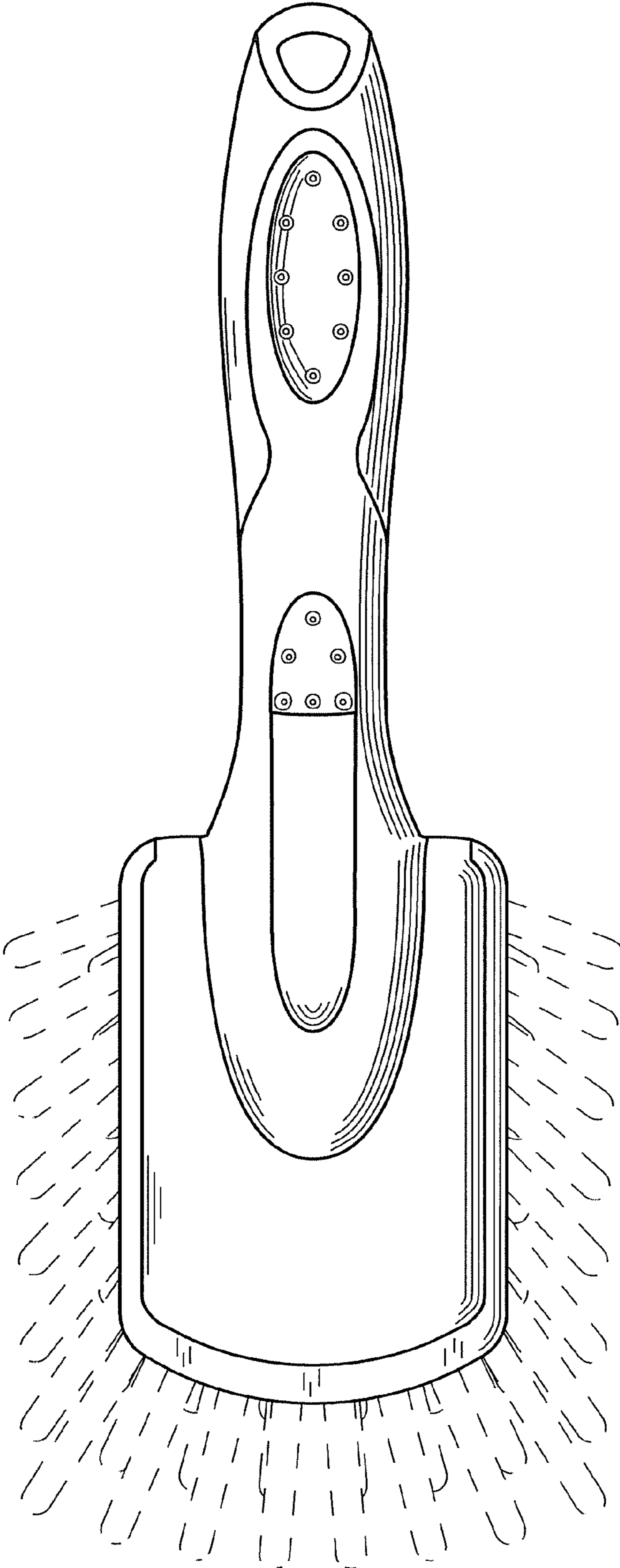


FIG. 2

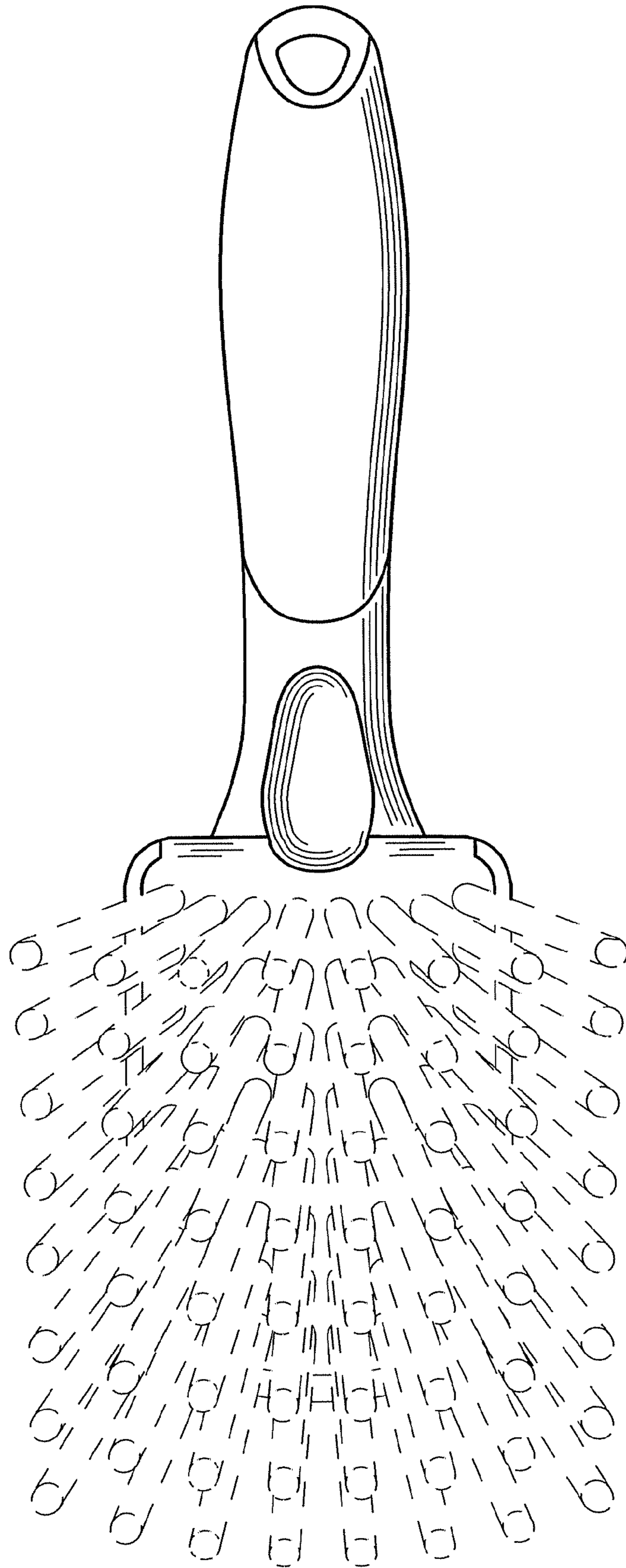


FIG. 3



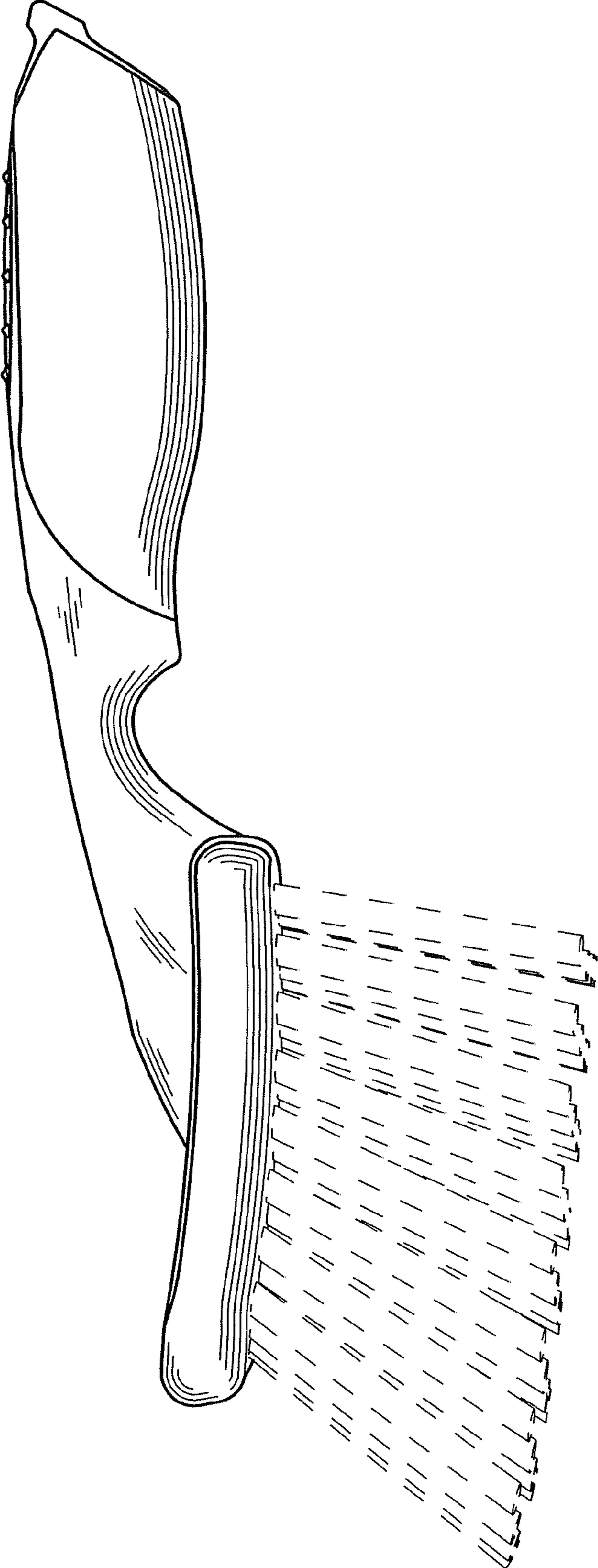


FIG. 4

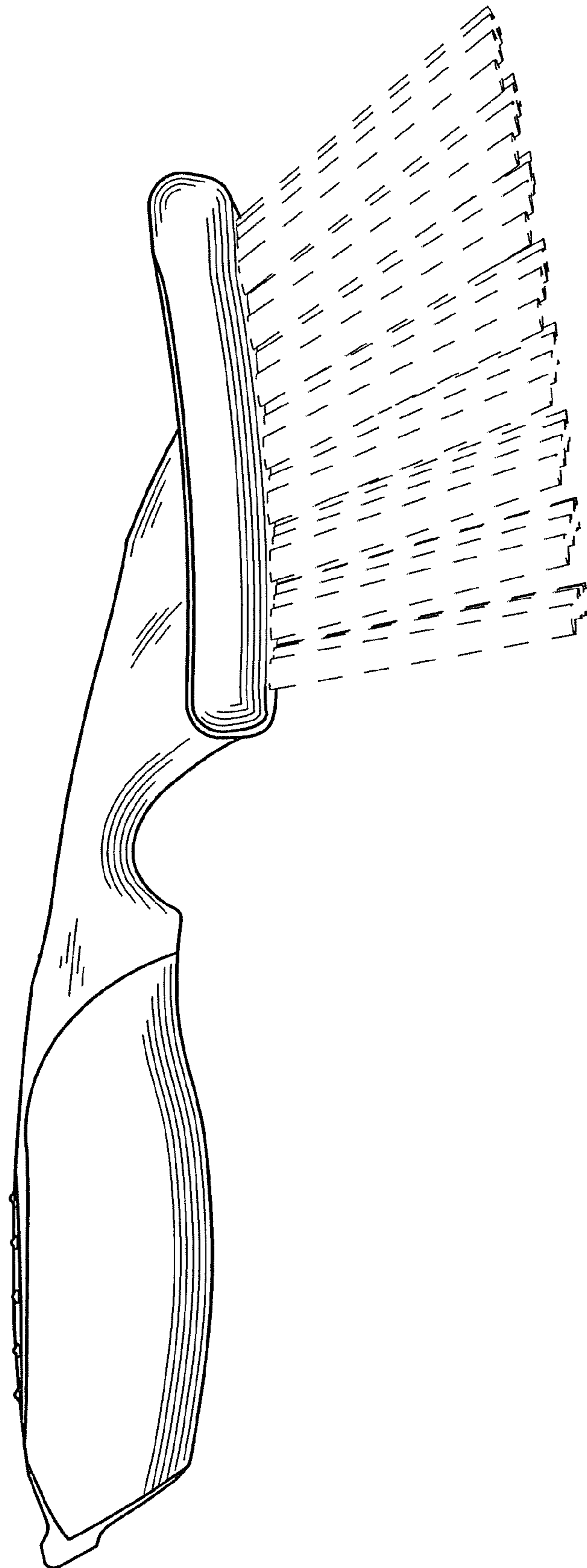


FIG. 5

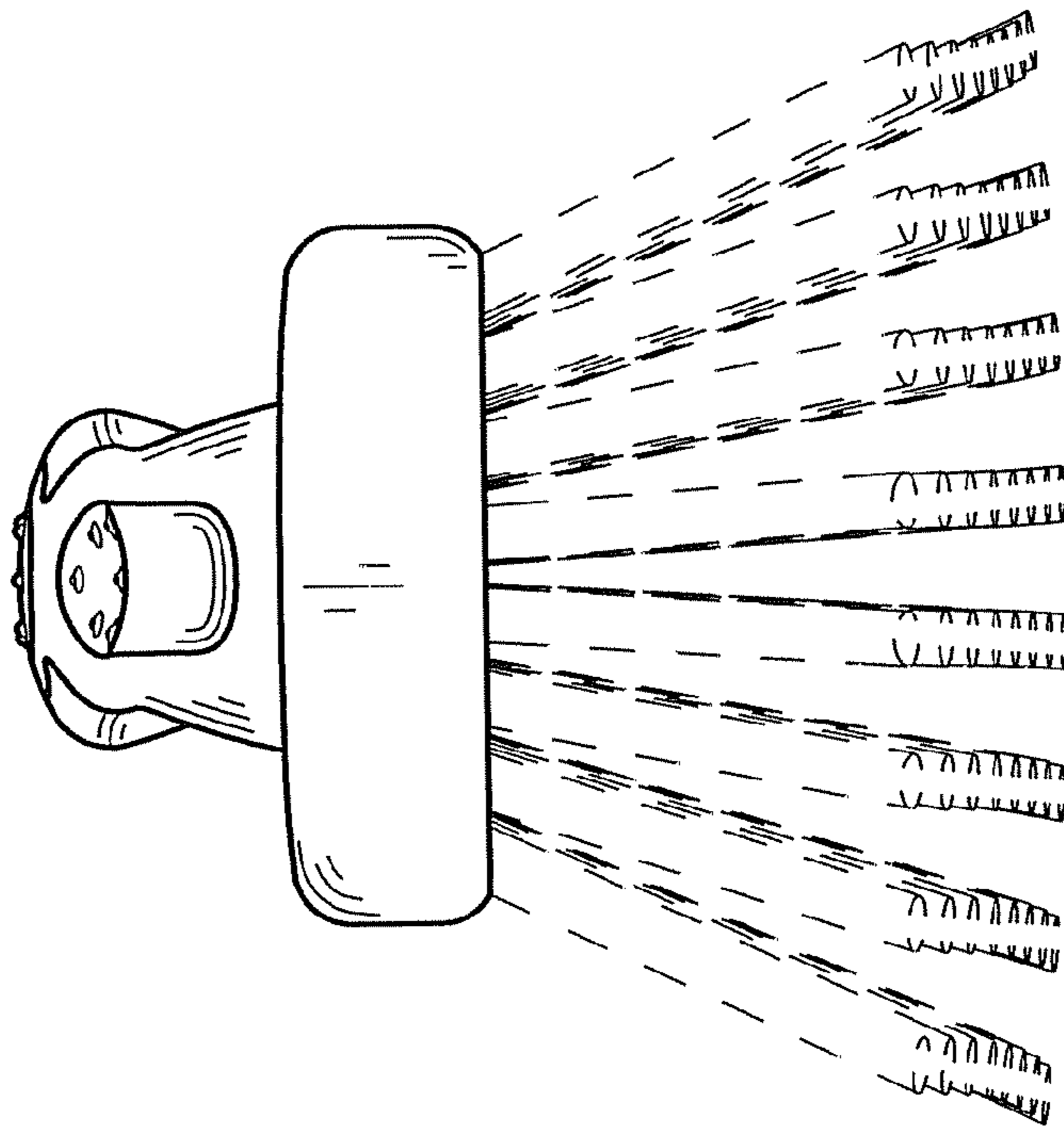


FIG. 6

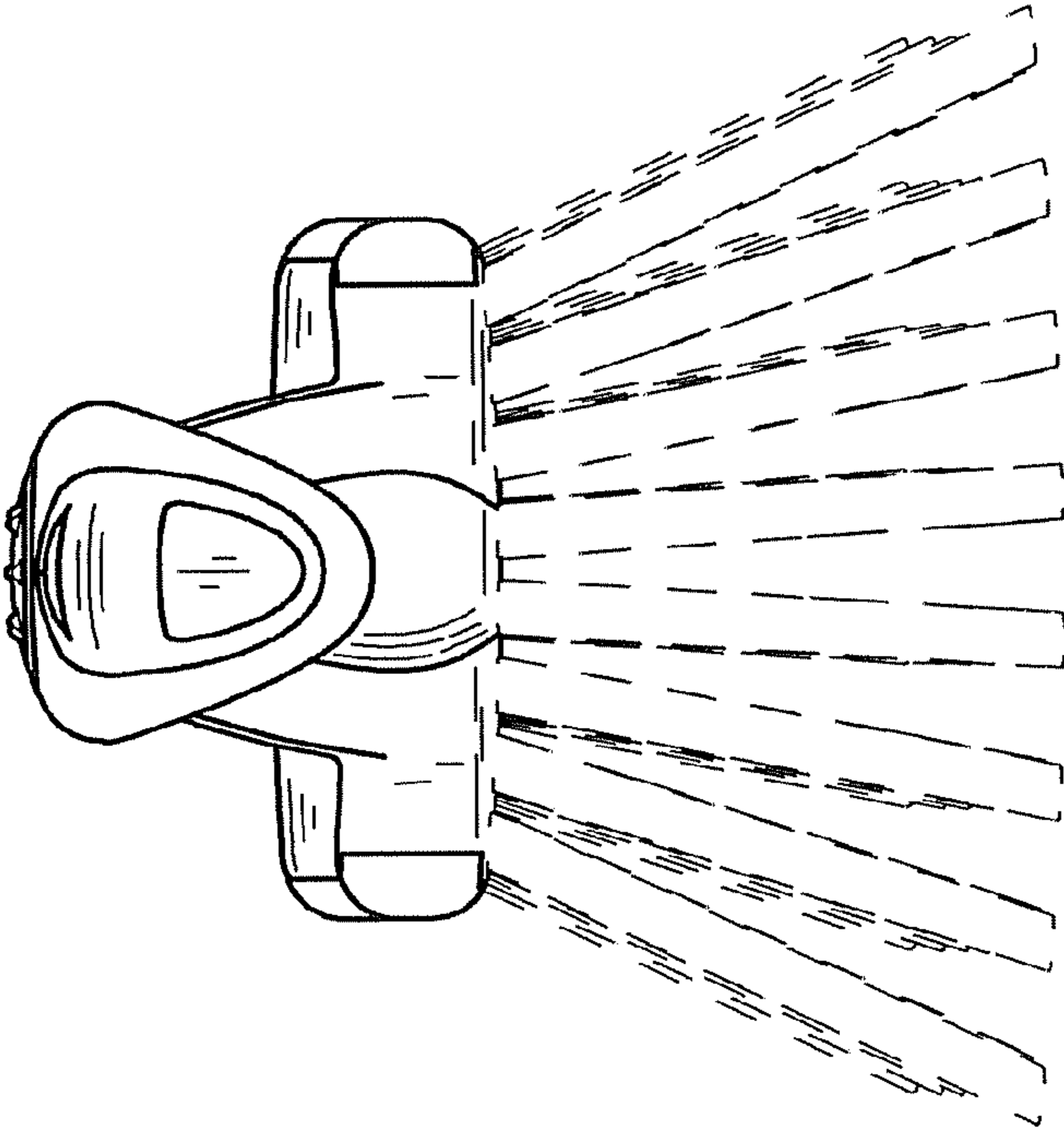


FIG. 7



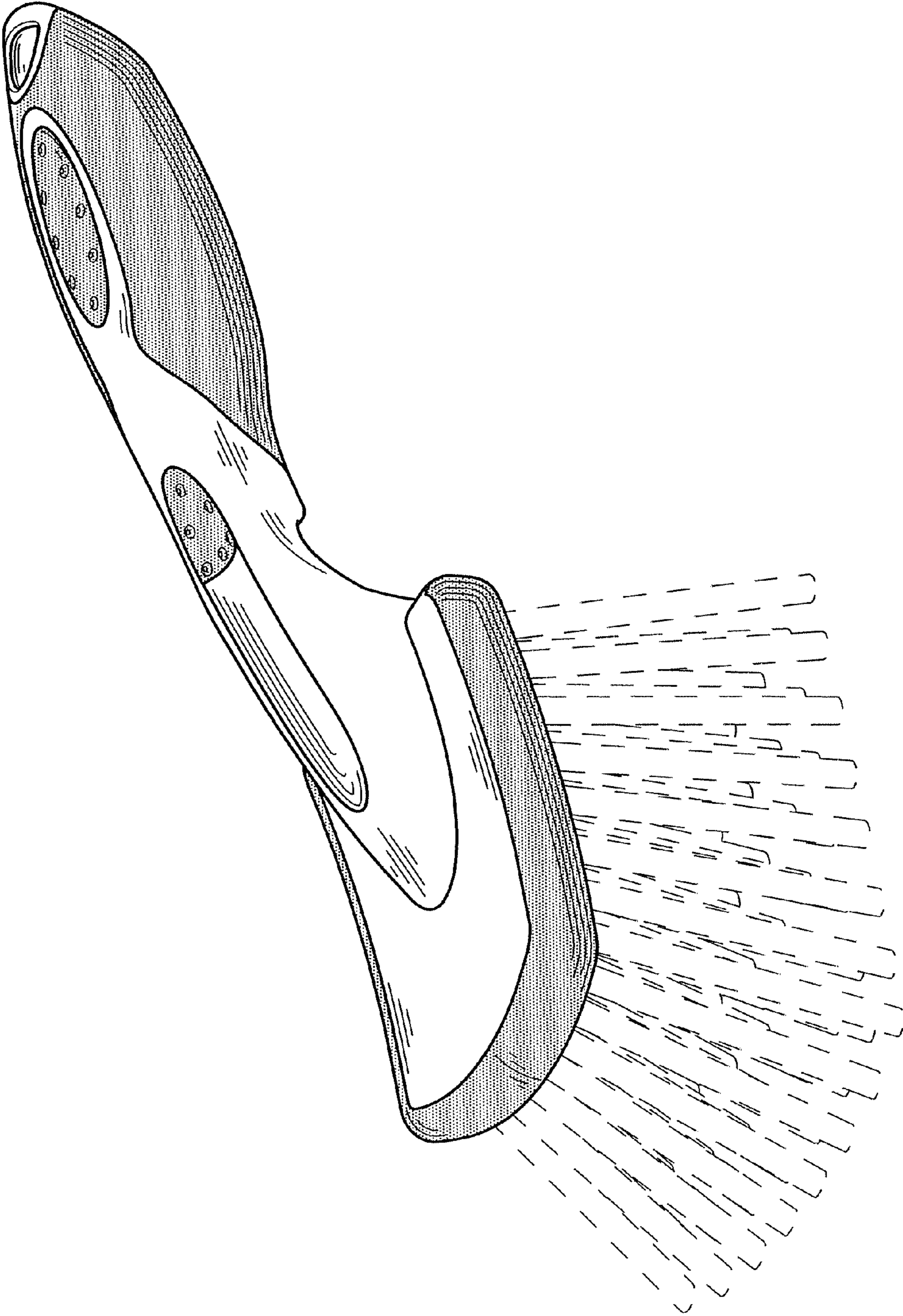


FIG. 8

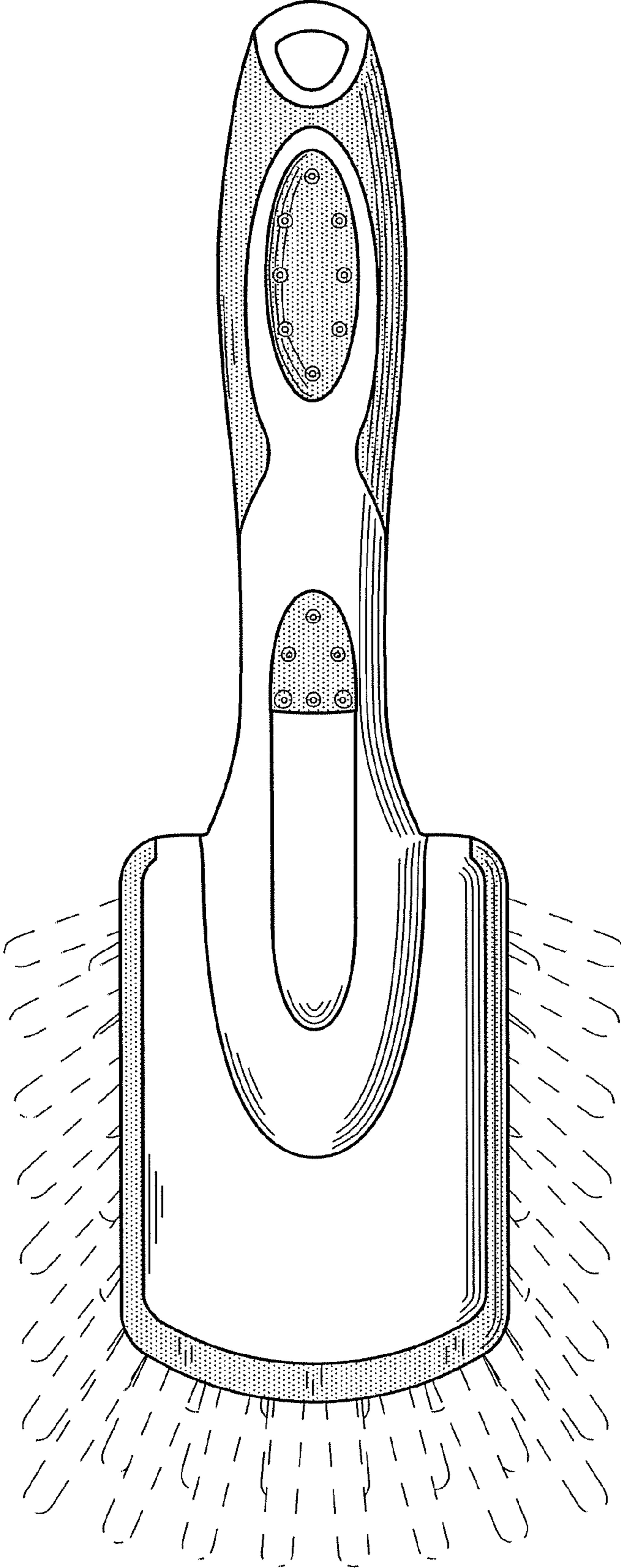


FIG. 9

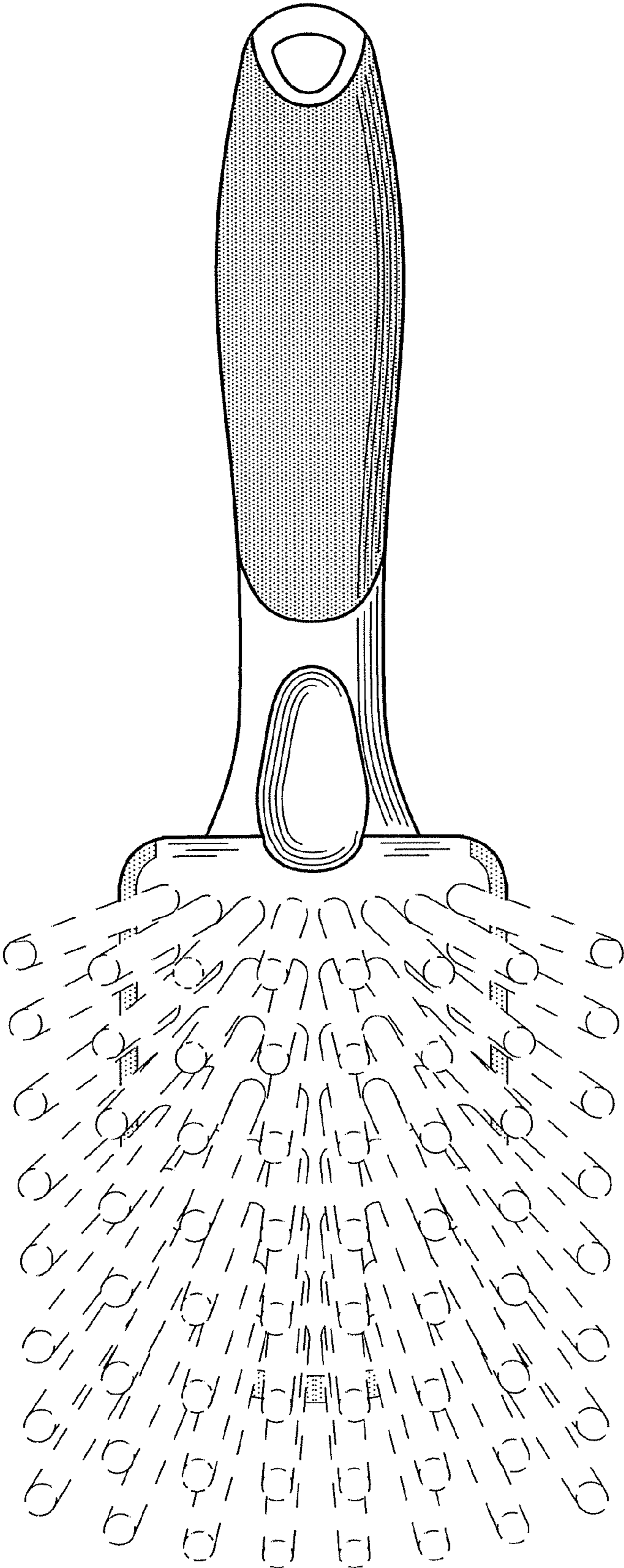


FIG. 10



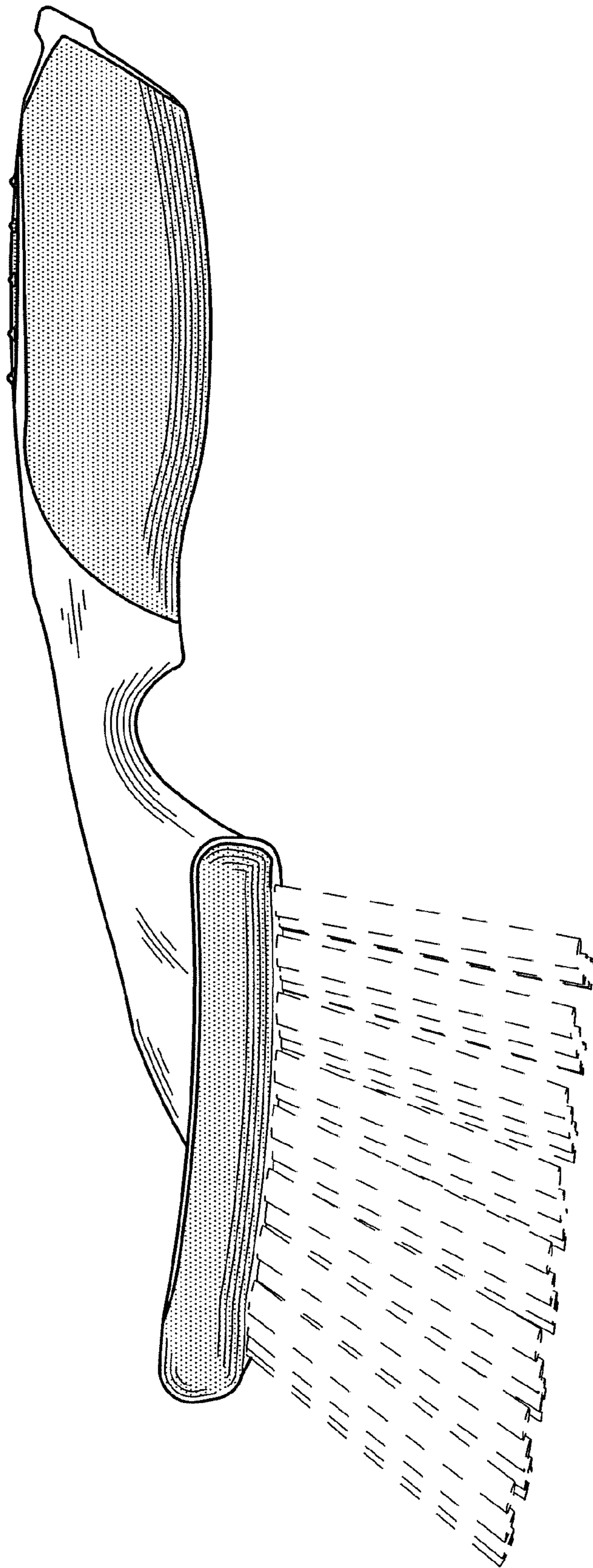


FIG.11

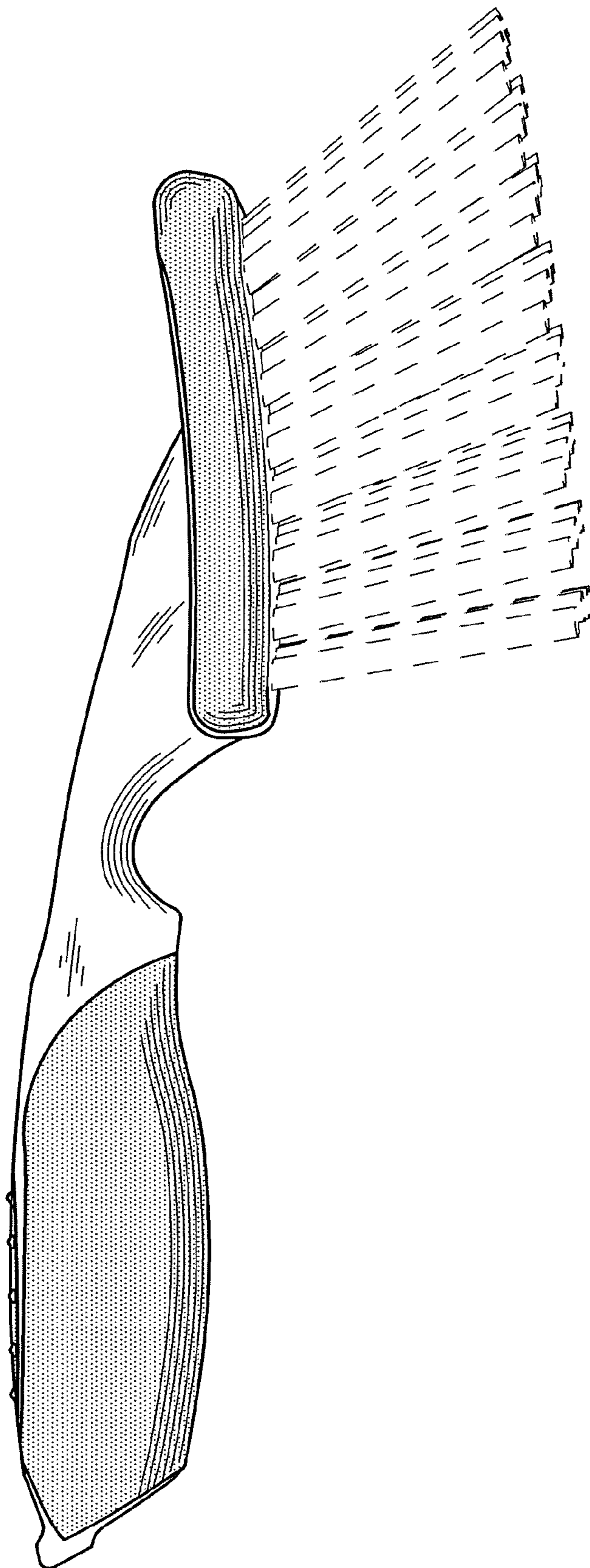


FIG. 12



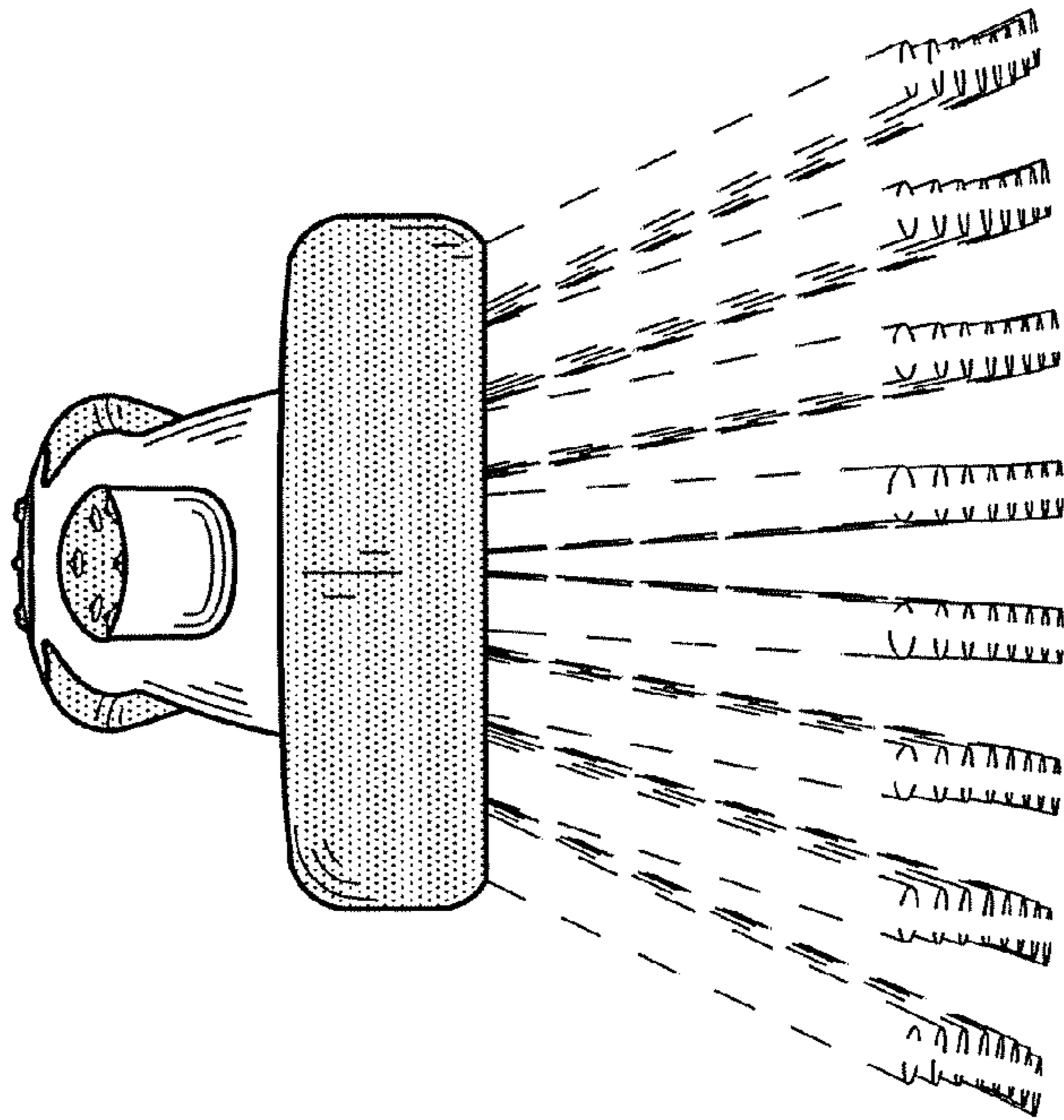


FIG. 13

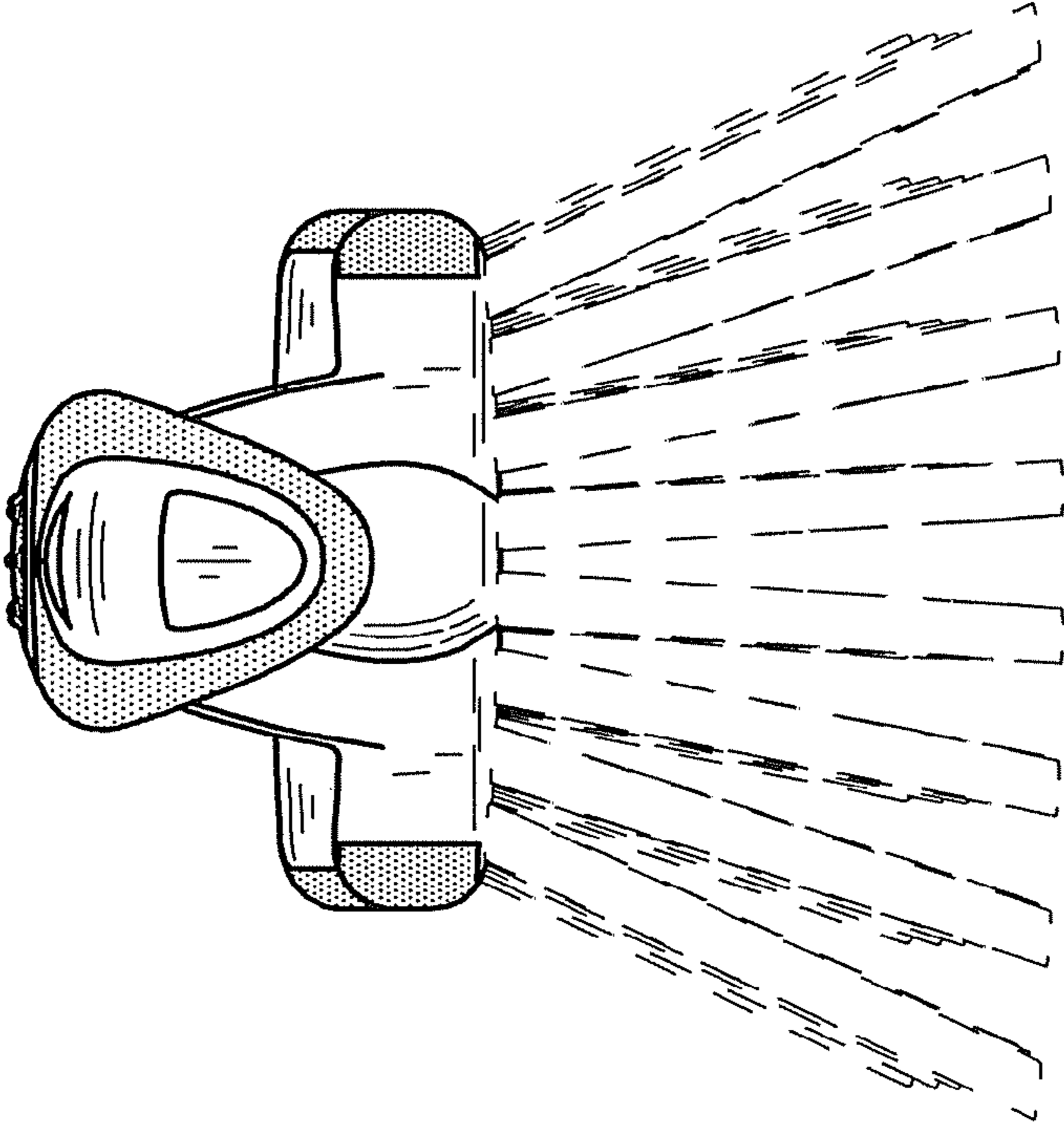


FIG. 14