

US00D584053S

(12) **United States Design Patent**
Abdo et al.

(10) **Patent No.:** **US D584,053 S**
(45) **Date of Patent:** **** Jan. 6, 2009**

(54) **TRANSPARENT SHOE STORAGE BOX**

(76) Inventors: **Frederick Abdo**, 9929 Milburn Dr.,
SunValley, CA (US) 91352; **Victoria**
Abdo, 9929 Milburn Dr., SunValley, CA
(US) 91352

(**) Term: **14 Years**

(21) Appl. No.: **29/279,241**

(22) Filed: **Apr. 24, 2007**

(51) **LOC (9) Cl.** **03-01**

(52) **U.S. Cl.** **D3/302**

(58) **Field of Classification Search** D3/201,
D3/273, 291, 294-295, 297, 302; D9/418,
D9/430, 432; D6/436, 440, 449; 206/213,
206/278, 278.1, 296, 459.5; 220/675, 367.1,
220/532; 229/162.1

See application file for complete search history.

(56) **References Cited**

U.S. PATENT DOCUMENTS

- 1,790,119 A * 1/1931 Delmar 229/120.37
- 1,970,751 A * 8/1934 Holbrook 229/120.1
- 3,063,550 A * 11/1962 Boden et al. 206/296
- 4,105,152 A * 8/1978 Elward 229/112
- 4,795,029 A 1/1989 Campbell et al.
- 4,819,795 A * 4/1989 Swaney 206/278
- 5,248,081 A * 9/1993 Hook 229/117.14
- D344,890 S 3/1994 Townes
- D348,394 S * 7/1994 Dreyer D9/425
- D356,253 S * 3/1995 Bacchetti et al. D9/418
- 5,509,170 A 4/1996 LoFaro et al.
- 5,590,766 A 1/1997 Carnahan et al.
- D401,852 S * 12/1998 Teags D9/431
- D429,462 S * 8/2000 Kumakura et al. D9/415
- 6,334,536 B1 * 1/2002 Kanning 206/521
- D477,217 S * 7/2003 Riedi D9/418
- D503,042 S * 3/2005 Gutierrez et al. D3/302
- D508,260 S * 8/2005 Toth D19/2
- D511,091 S * 11/2005 Liwag D9/418

- D515,810 S * 2/2006 Terwelp D3/276
- D527,901 S * 9/2006 Selsted D3/302
- 7,147,125 B1 * 12/2006 Slovak et al. 220/592.2
- D535,102 S * 1/2007 Matsuda D3/302
- D542,129 S * 5/2007 Moorman D9/431
- 7,249,674 B2 * 7/2007 Mu et al. 206/278.1
- 2002/0092787 A1 7/2002 Cheng
- 2004/0041014 A1 3/2004 Galter
- 2005/0082179 A1 * 4/2005 Terwelp 206/278
- 2006/0032765 A1 * 2/2006 Morhard et al. 206/278
- 2006/0185993 A1 * 8/2006 Wilskey et al. 206/278
- 2006/0231602 A1 * 10/2006 Mu e tal. 229/125.015
- 2006/0283733 A1 * 12/2006 Masa 206/278

OTHER PUBLICATIONS

Downloaded Mar. 13, 2008 at <http://www.containerstore.com/browse/Product.jhtml?CATID=71227&PRODID=61479>.*

Downloaded Mar. 13, 2008 at <http://www.containerstore.com/browse/Product.jhtml?CATID=71227&PRODID=10017455>.*

* cited by examiner

Primary Examiner—Philip S Hyder

Assistant Examiner—Roselynn Cody

(57) **CLAIM**

The ornamental design for a transparent shoe storage box, as shown and described.

DESCRIPTION

FIG. 1 is a front elevation view of a transparent shoe storage box showing our new design with a lid removed for clarity;

FIG. 2 is a right elevation view with a lid removed for clarity;

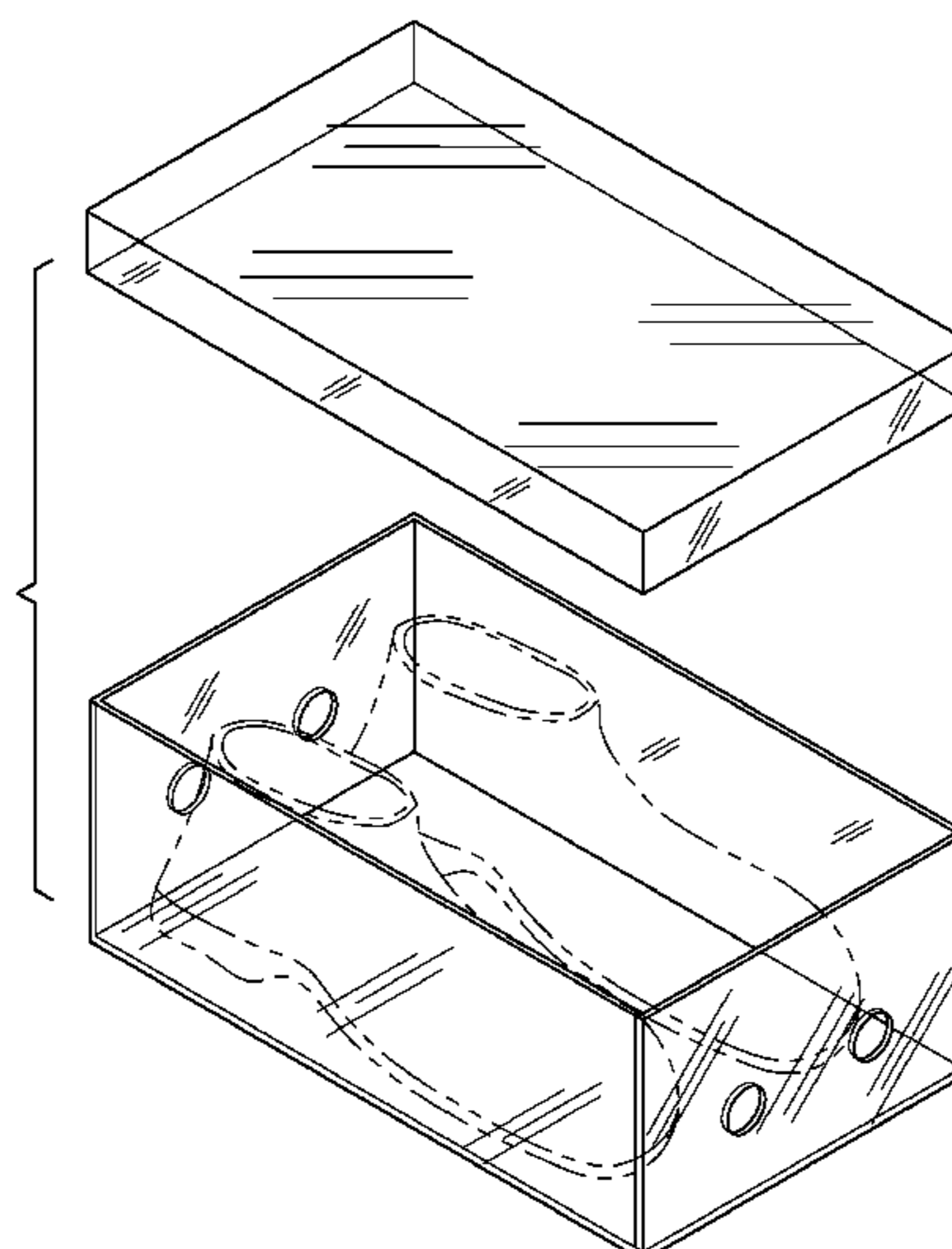
FIG. 3 is a top plan view with a lid removed for clarity;

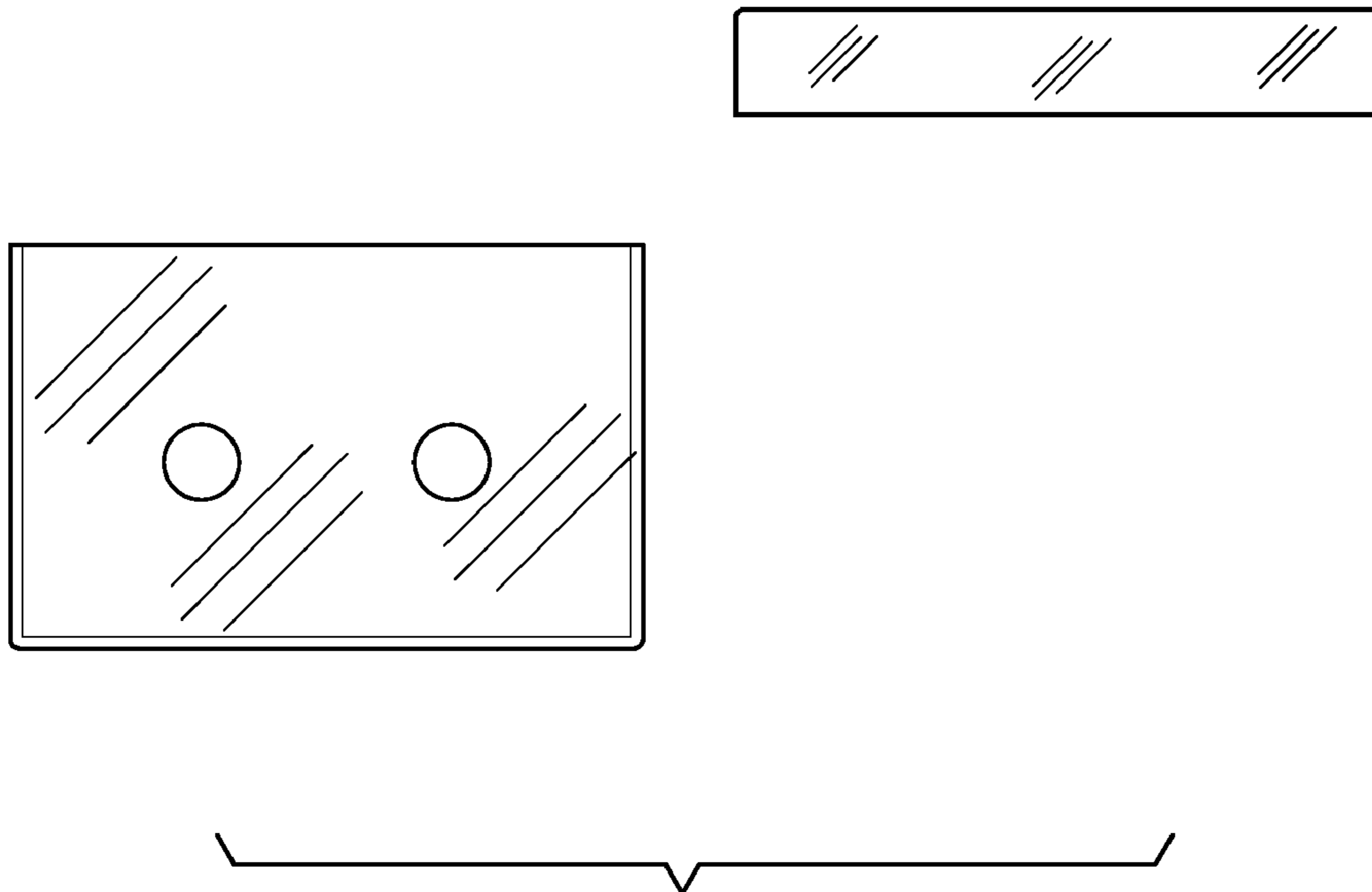
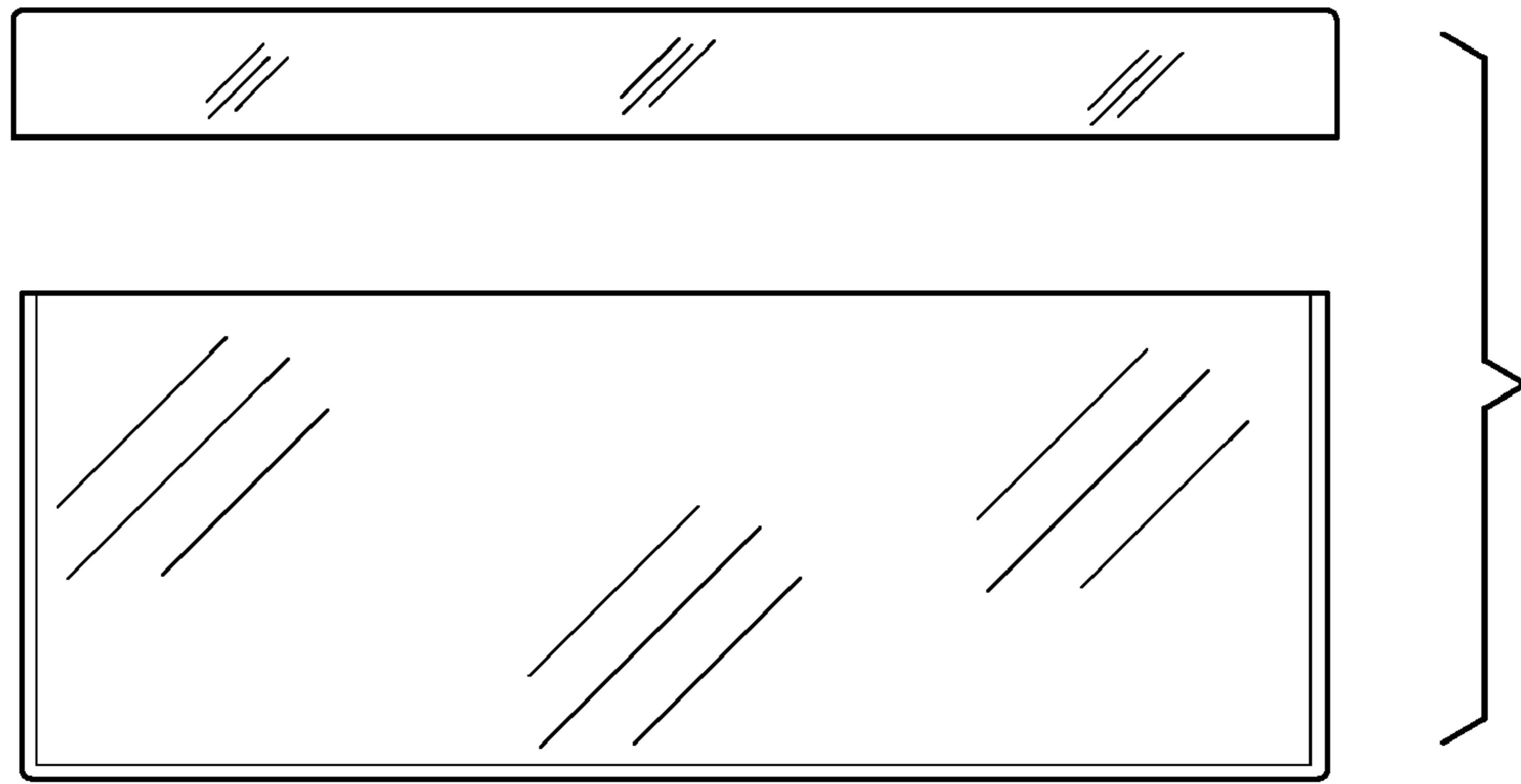
FIG. 4 is an bottom plan view with a lid removed for clarity; and,

FIG. 5 is an isometric view of a transparent shoe storage box with a lid removed for clarity.

The broken lines shown in FIG. 5 are for illustrative purposes only and form no part of the claimed design.

1 Claim, 3 Drawing Sheets





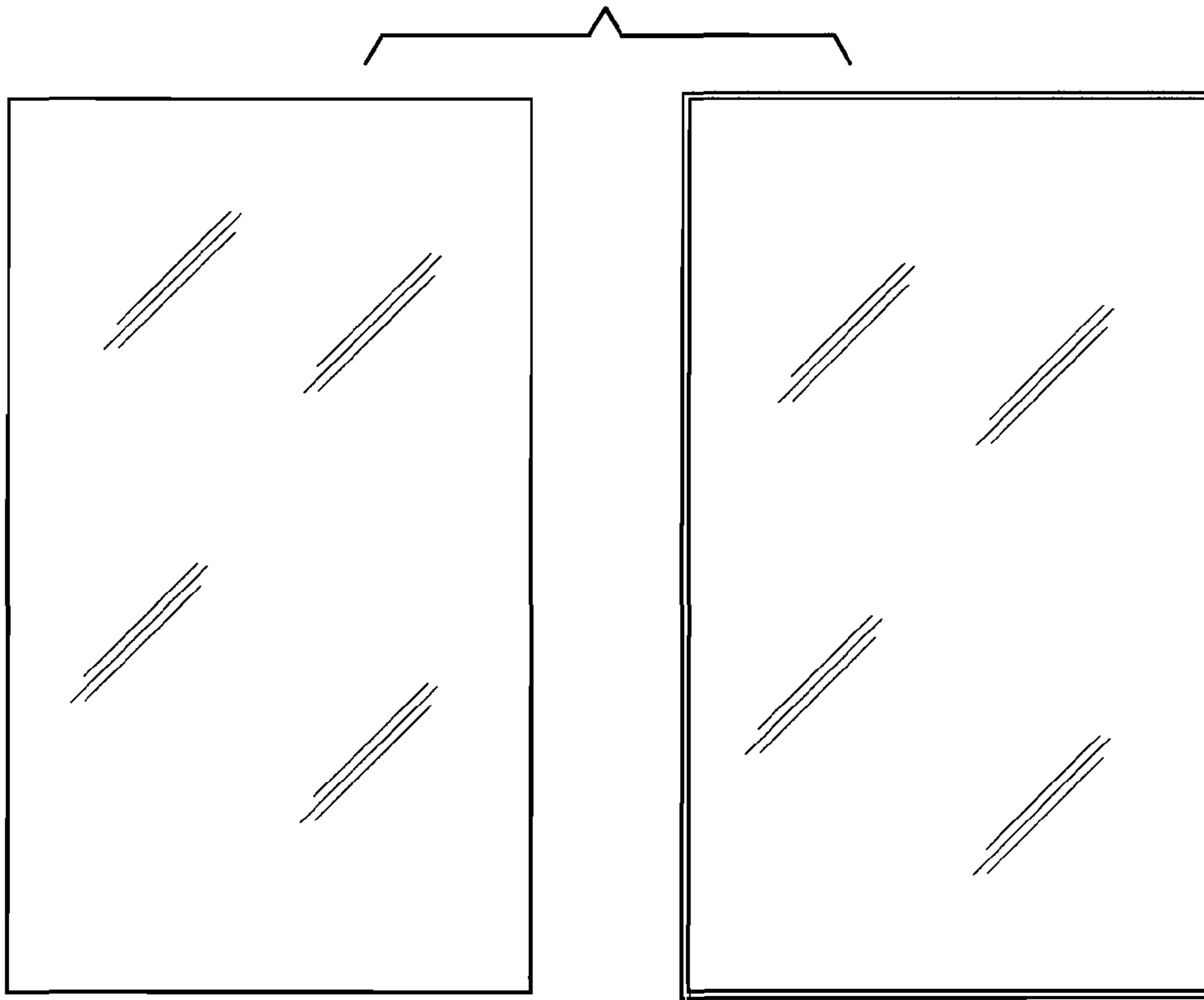


FIG. 4

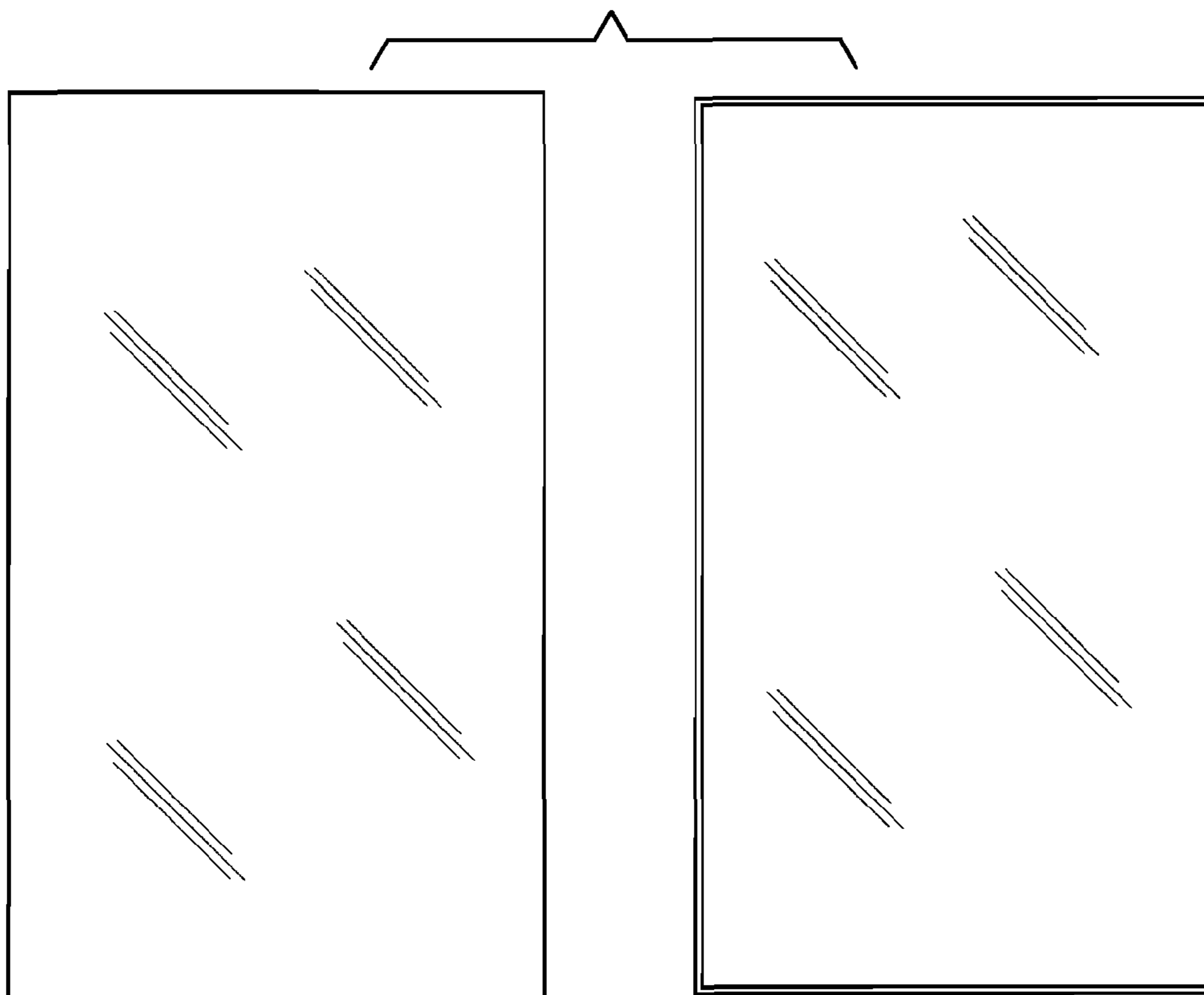


FIG. 3

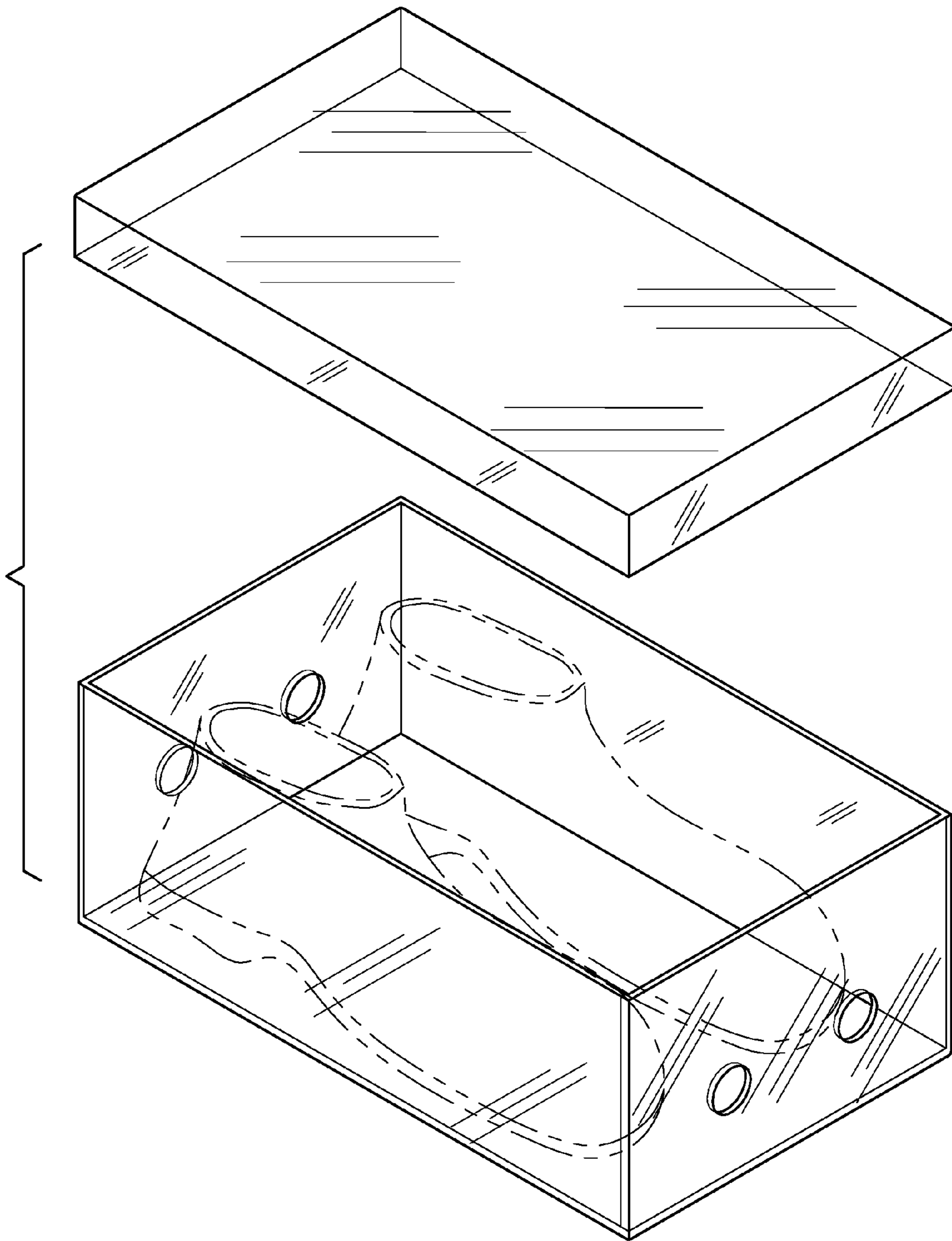


FIG. 5