



US00D584052S

(12) **United States Design Patent**
Tseng

(10) **Patent No.:** **US D584,052 S**

(45) **Date of Patent:** **** Jan. 6, 2009**

(54) **TOOL BOX**

(76) **Inventor:** **Louis Tseng**, 20420 E. Business Pkwy.,
Walnut, CA (US) 91789

(**) **Term:** **14 Years**

(21) **Appl. No.:** **29/275,576**

(22) **Filed:** **Dec. 29, 2006**

(51) **LOC (9) Cl.** **03-01**

(52) **U.S. Cl.** **D3/295; D3/291; D3/905;**
D6/440

(58) **Field of Classification Search** D3/18,
D3/20, 200, 273-274, 275-276, 281-284,
D3/286, 291, 294-297, 901, 905; D6/432,
D6/440, 445; 206/315.11, 349, 372-373,
206/376, 379-380; 312/237, 244, 249.9,
312/295, 328, 902

See application file for complete search history.

(56) **References Cited**

U.S. PATENT DOCUMENTS

739,451	A	*	9/1903	Schwartz	312/328
D103,112	S	*	2/1937	Lewis	D3/275
D107,340	S	*	12/1937	Lux	D3/275
D157,776	S	*	3/1950	Naken	D3/296
D166,127	S	*	3/1952	Rothstein	D3/20
D202,160	S	*	8/1965	Territo	D3/284
4,345,697	A	*	8/1982	Wilson et al.	220/831
D341,715	S	*	11/1993	Ancona et al.	D3/275
D343,285	S	*	1/1994	Ancona et al.	D3/307

D370,342	S	*	6/1996	Gwyther	D3/254
D417,783	S	*	12/1999	Wolf	D3/297
D475,197	S	*	6/2003	Stoddard	D3/284

* cited by examiner

Primary Examiner—T. Chase Nelson
Assistant Examiner—Roselynn Cody

(74) *Attorney, Agent, or Firm*—Timothy X. Gibson; Gibson & Dernier LLP

(57) **CLAIM**

I claim the ornamental design for a tool box, as shown and described.

DESCRIPTION

FIG. 1 shows the front elevational view of a tool box showing my new design,

FIG. 2 shows the left side elevational view thereof,

FIG. 3 shows the rear elevational view thereof,

FIG. 4 shows the front elevational view thereof, with the top cover opened,

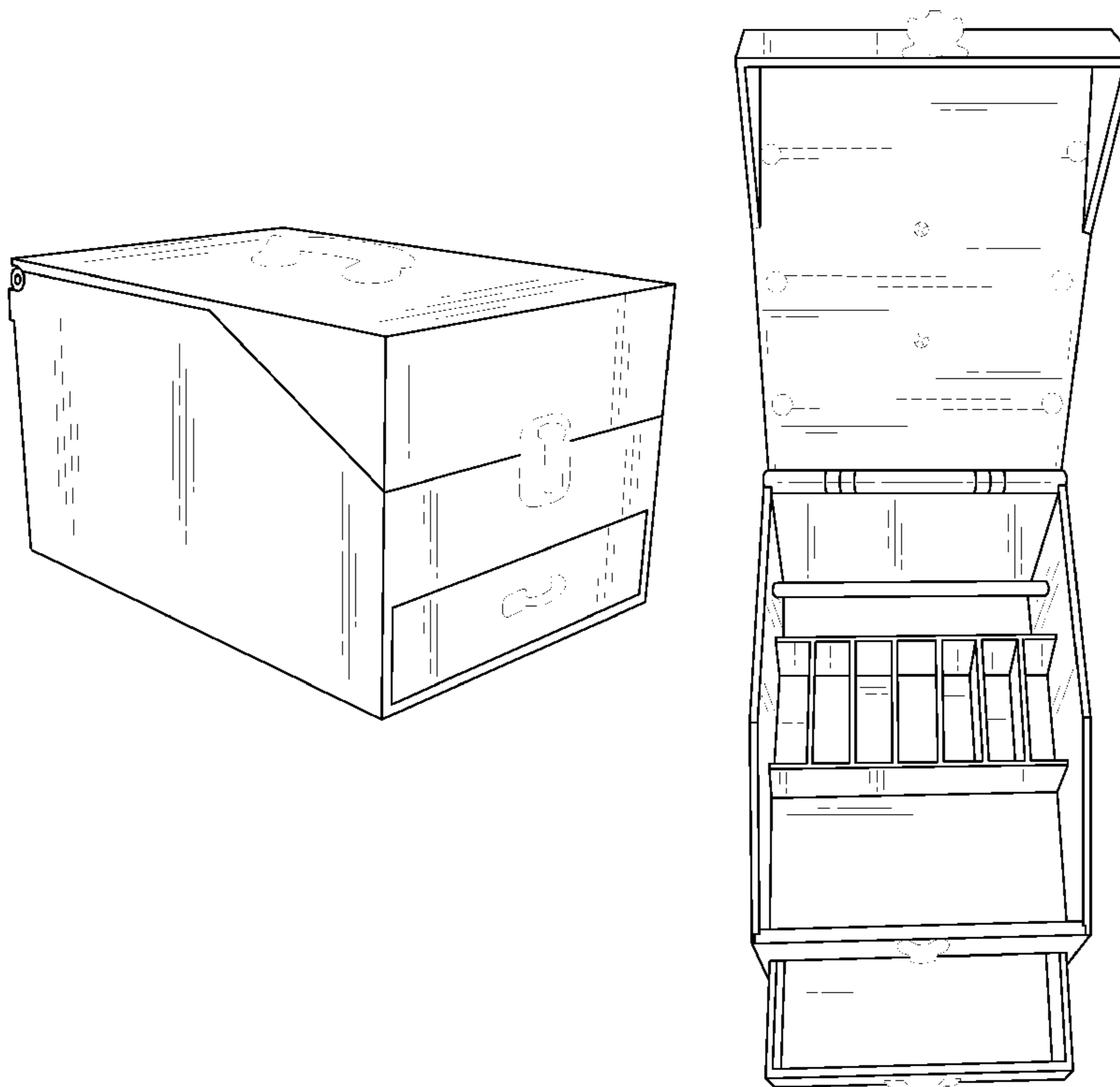
FIG. 5 shows the front elevational view thereof, with the top cover opened and drawer pulled out,

FIG. 6 shows the right perspective view thereof, with top cover slightly opened; and,

FIG. 7 shows the top plan view thereof.

The broken line showing in all figures is illustrative of environment only and forms no part of the claimed design.

1 Claim, 7 Drawing Sheets



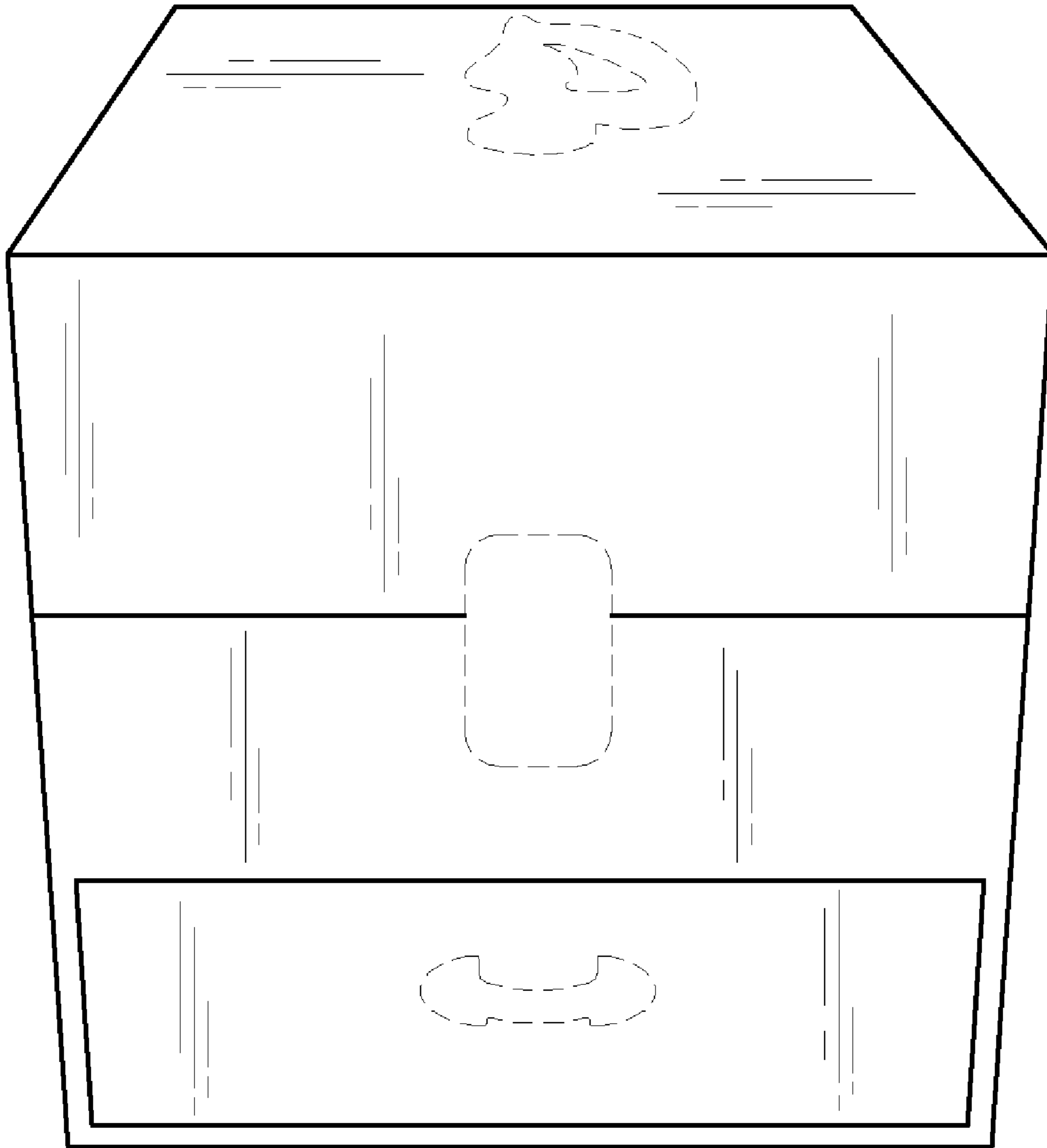


FIG. 1

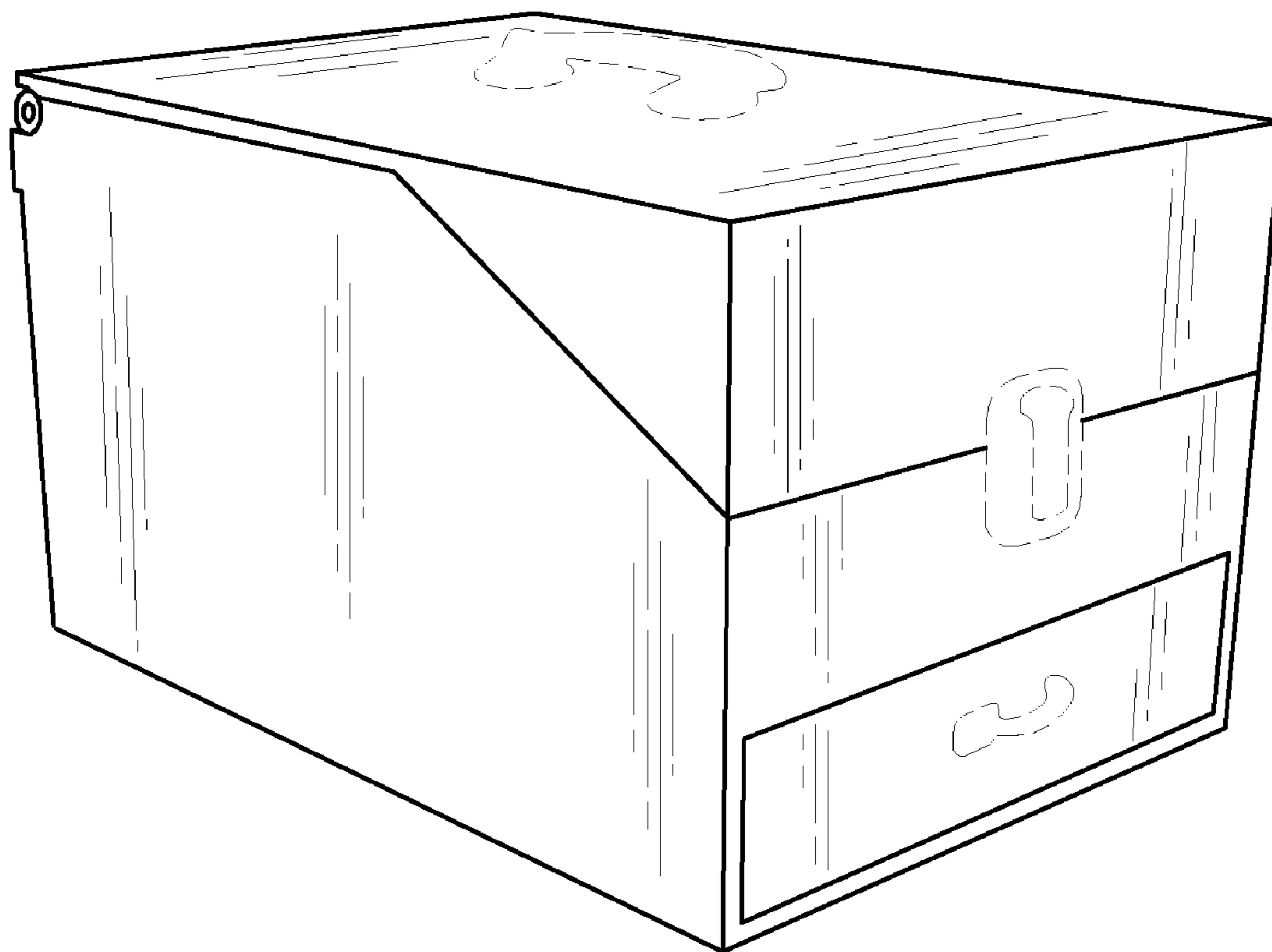


FIG. 2

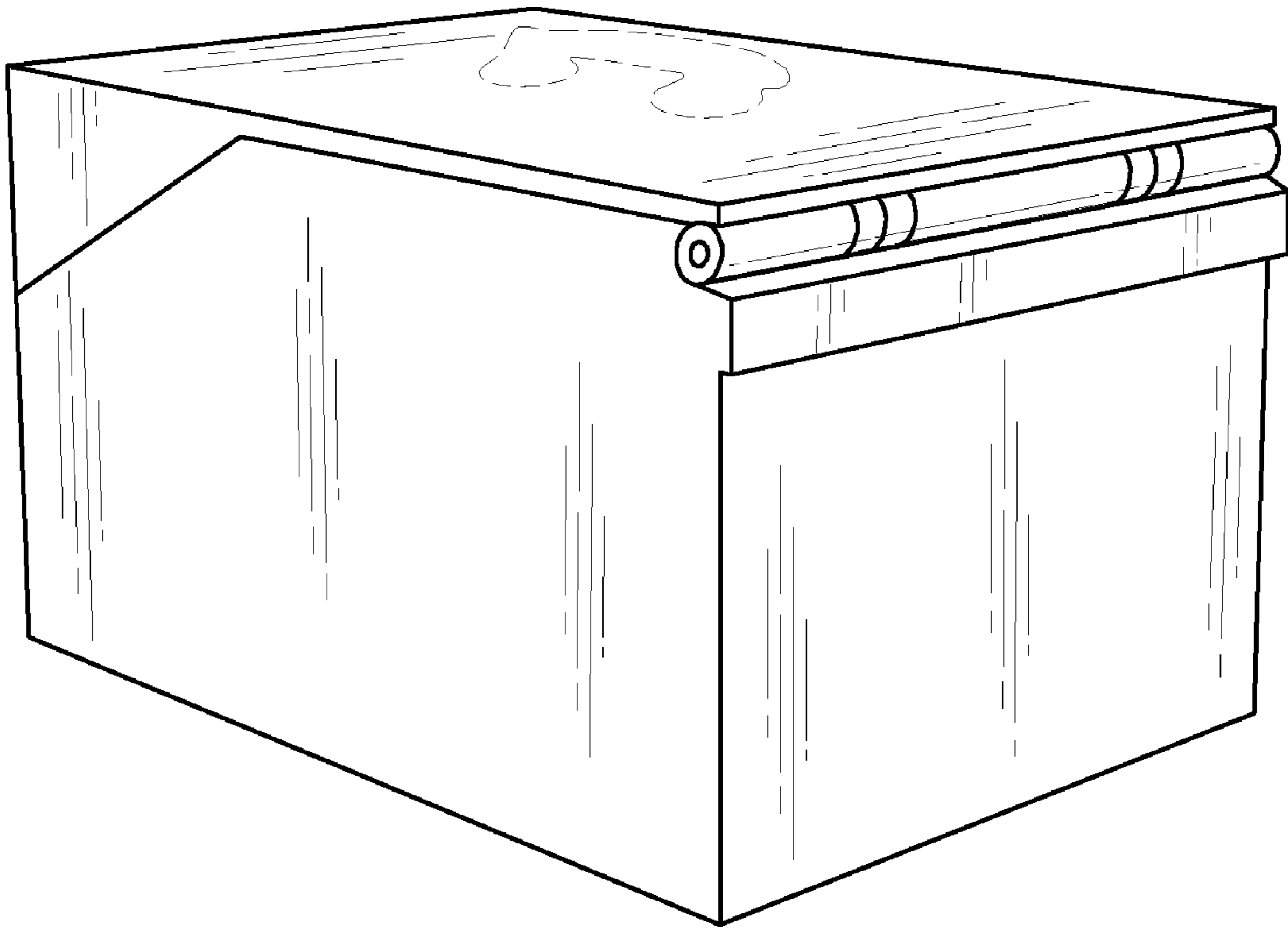


FIG. 3

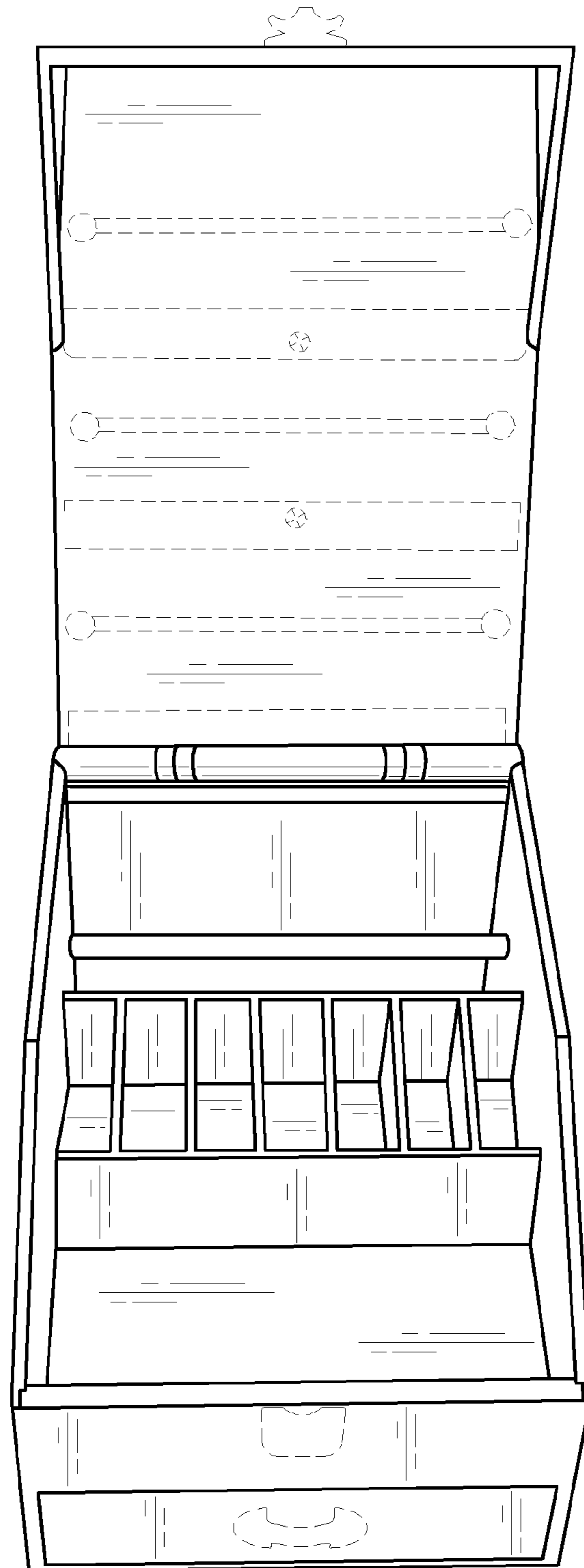


FIG. 4

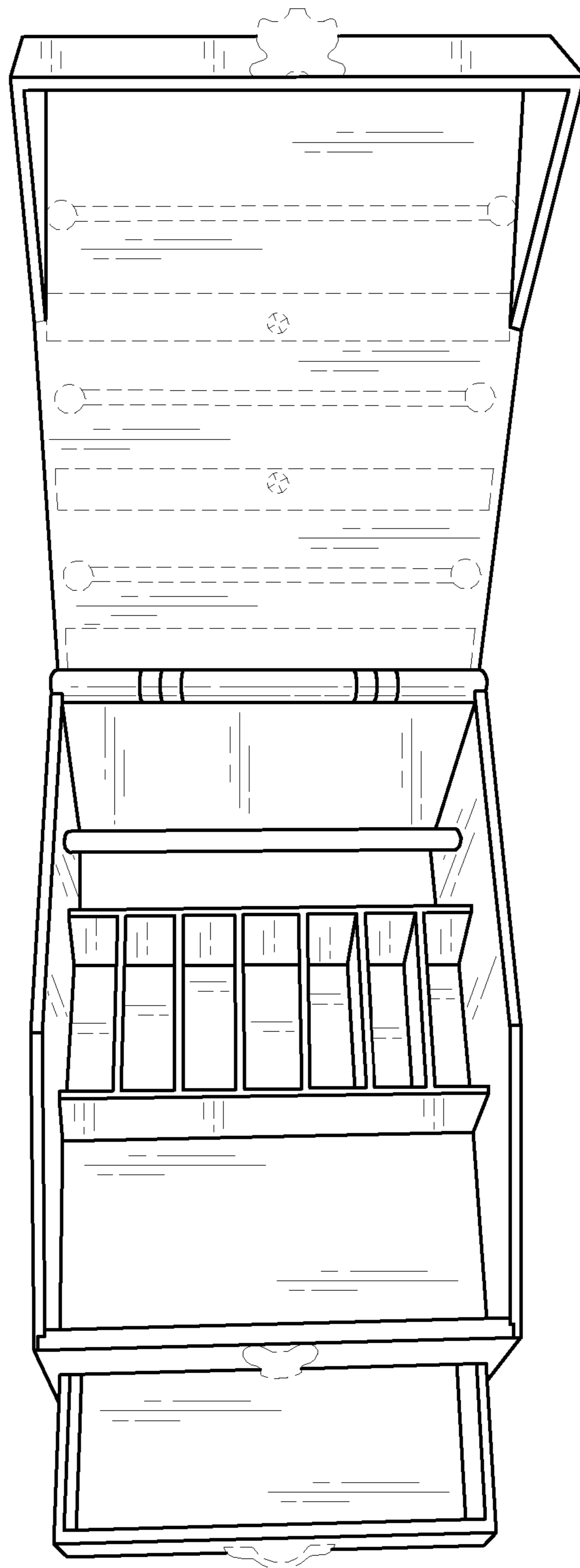


FIG. 5

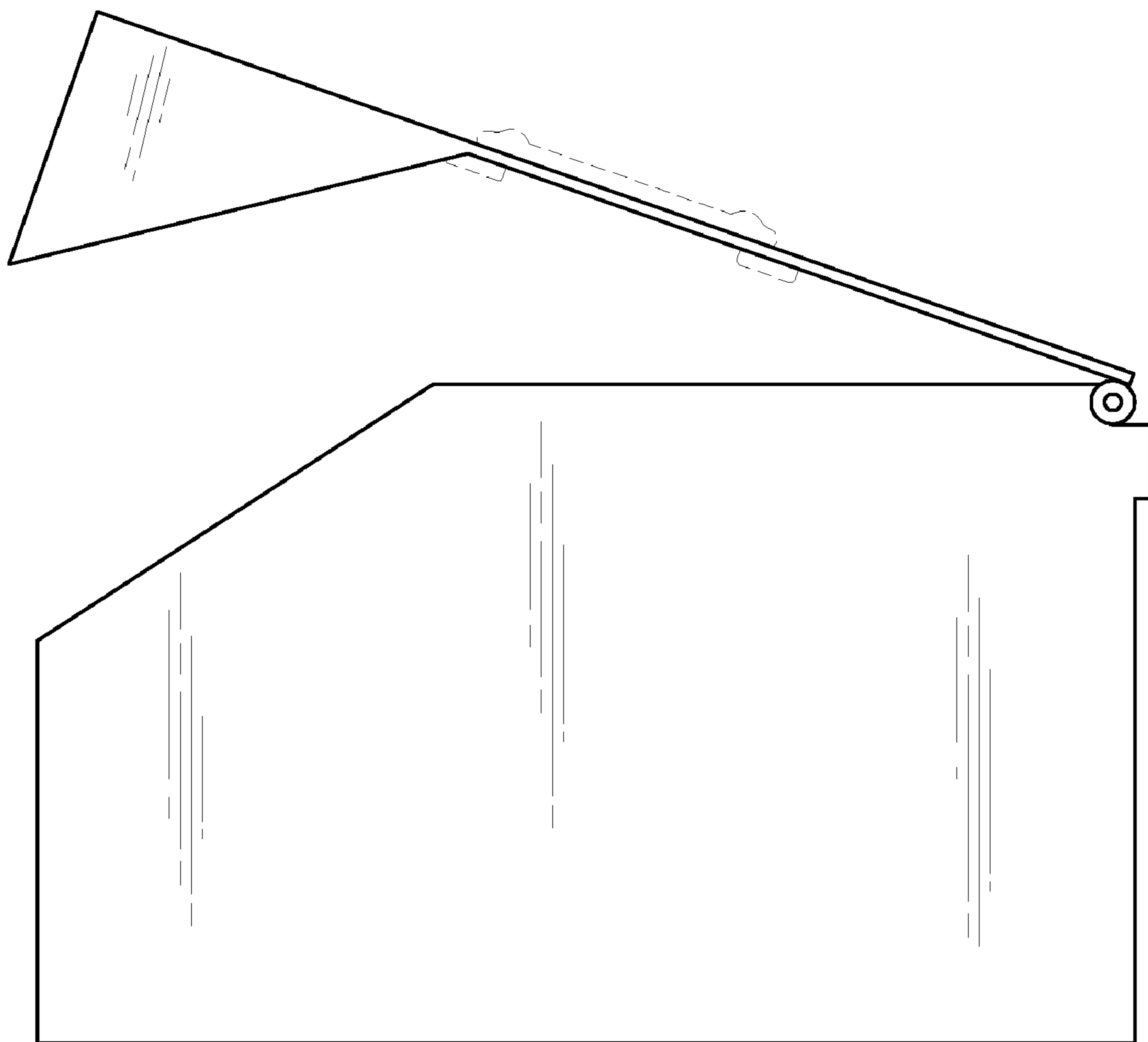


FIG. 6

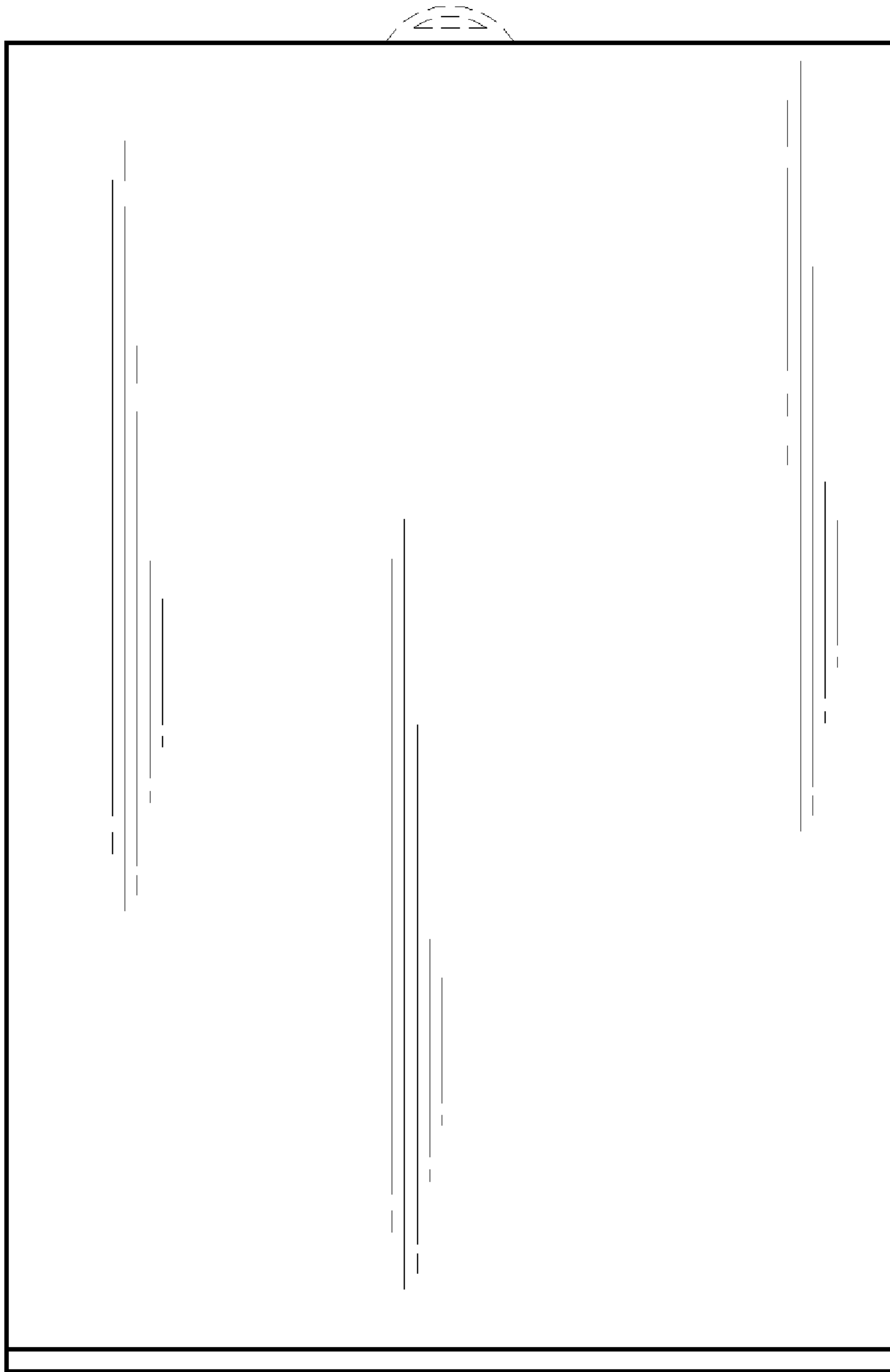


FIG. 7