



US00D584047S

(12) **United States Design Patent**
Messineo

(10) **Patent No.:** **US D584,047 S**

(45) **Date of Patent:** **** Jan. 6, 2009**

(54) **DECORATIVE PURSE**

D530,508 S * 10/2006 Delafontaine D3/243
D564,223 S * 3/2008 Messineo D3/243

(76) Inventor: **Elizabeth L. Messineo**, 6530 Seafairer
Dr., Tampa, FL (US) 33615

* cited by examiner

(**) Term: **14 Years**

Primary Examiner—Holly H Baynham
(74) *Attorney, Agent, or Firm*—Larson & Larson; Frank
Liebenow

(21) Appl. No.: **29/298,590**

(22) Filed: **Dec. 7, 2007**

(57) **CLAIM**

(51) **LOC (9) Cl.** **03-01**

The ornamental design for a decorative purse, as shown and
described.

(52) **U.S. Cl.** **D3/243**

(58) **Field of Classification Search** D3/232–234,
D3/240–246, 318, 322, 324; 150/100, 103–104,
150/107–110, 118–119
See application file for complete search history.

DESCRIPTION

(56) **References Cited**

U.S. PATENT DOCUMENTS

D171,520 S	2/1954	Spradling	
D227,945 S *	7/1973	Hirtz	D3/246
4,649,974 A	3/1987	Takanashi	
D467,072 S	12/2002	Grassi Damiani	
D504,226 S *	4/2005	Heatherwick	D3/233
D504,565 S *	5/2005	Heatherwick	D3/233
D505,259 S *	5/2005	Heatherwick	D3/233
D525,028 S *	7/2006	Metsch	D3/245

FIG. 1 is a front elevation view of a decorative purse showing
my novel design;

FIG. 2 is a rear elevation view thereof;

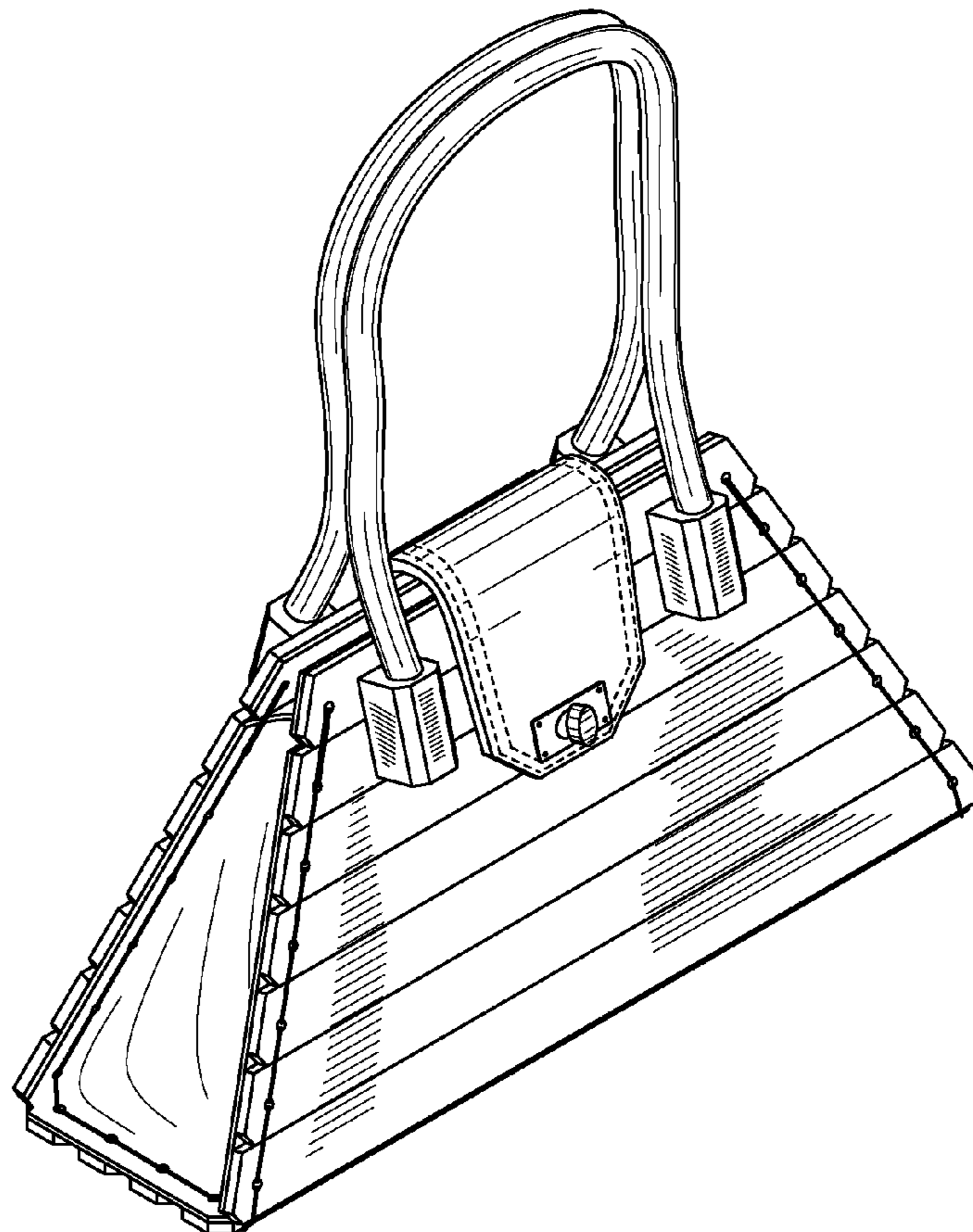
FIG. 3 is a right side elevation view thereof, of which the left
side is a mirror image;

FIG. 4 is a top plan view thereof;

FIG. 5 is a bottom plan view thereof; and,

FIG. 6 is a perspective view of a decorative purse of the
present invention.

1 Claim, 3 Drawing Sheets



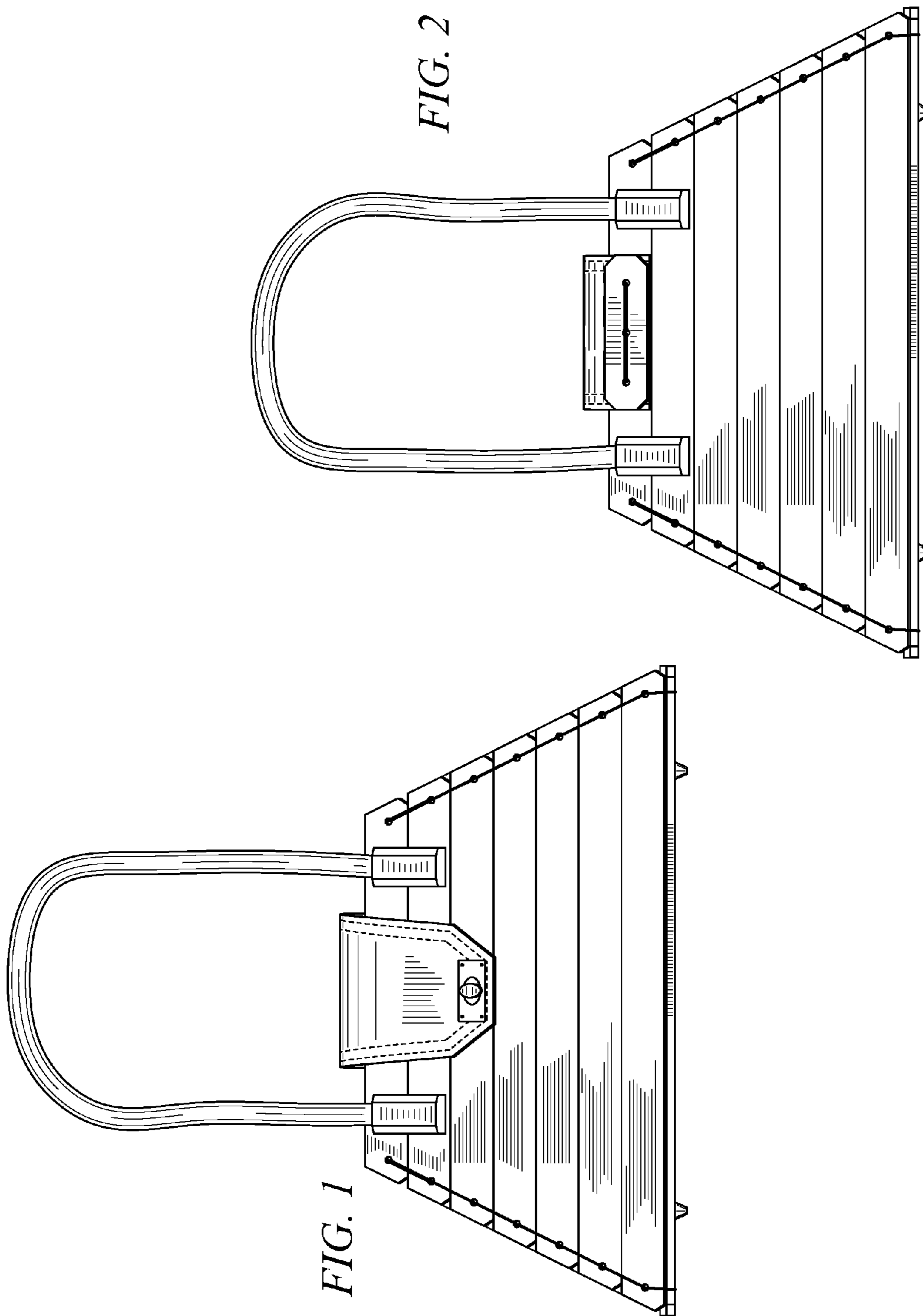


FIG. 1

FIG. 2

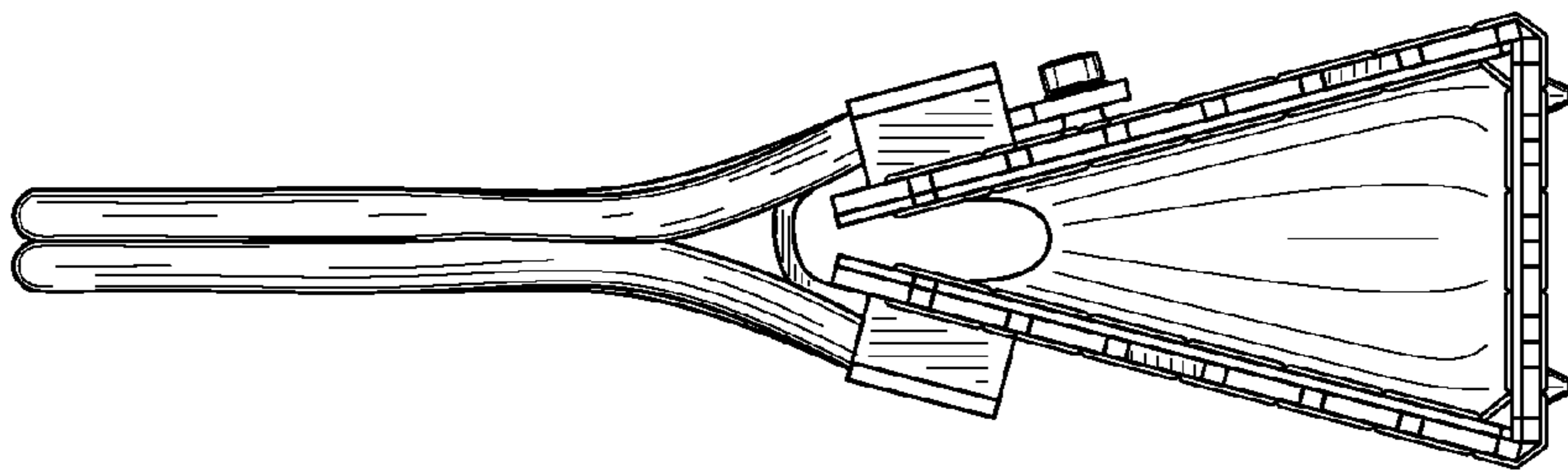


FIG. 3

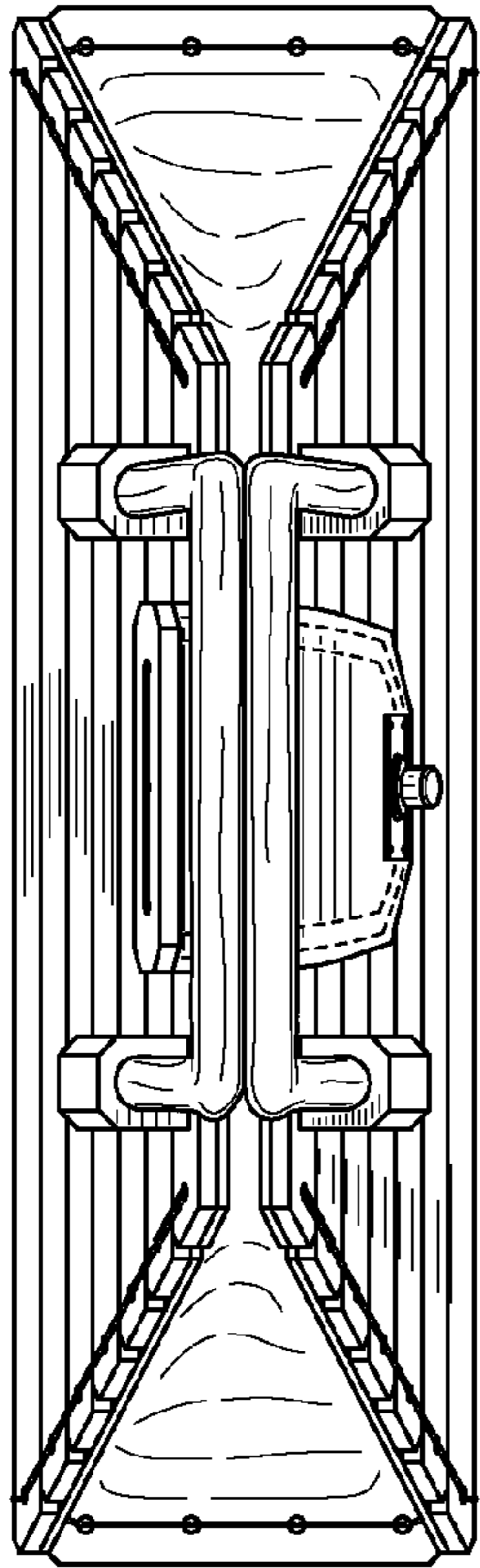


FIG. 4

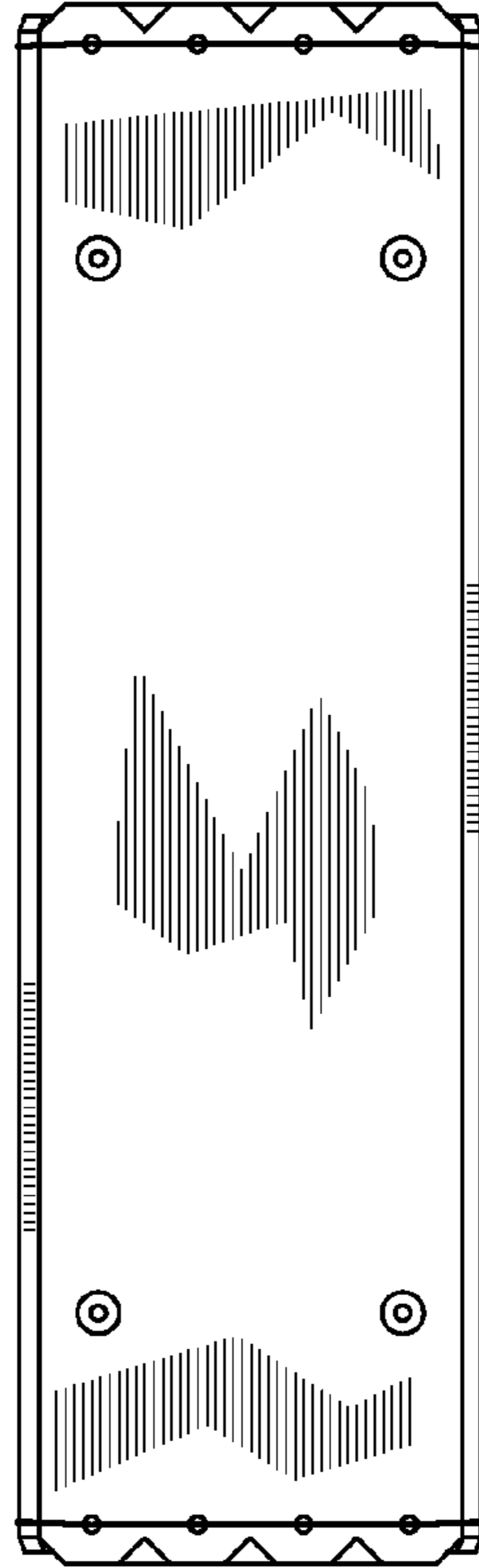


FIG. 5

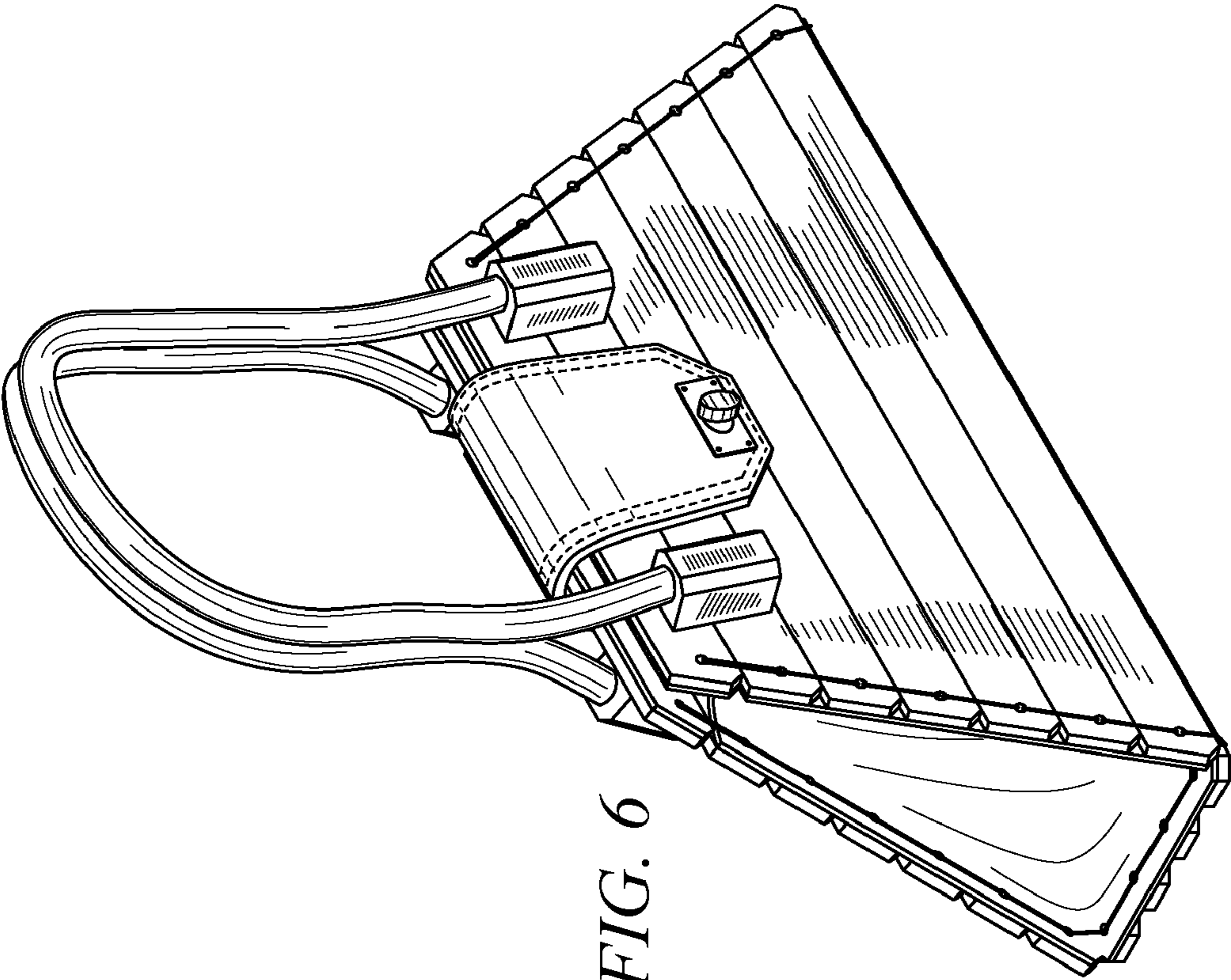


FIG. 6