



US00D584046S

(12) **United States Design Patent**
Montague

(10) **Patent No.:** **US D584,046 S**
(45) **Date of Patent:** **** Jan. 6, 2009**

(54) **BAG**
(75) **Inventor:** **Penelope Montague**, Waverton (AU)
(73) **Assignee:** **Harlequin International Group Pty Ltd.**, Pymont (AU)
(**) **Term:** **14 Years**
(21) **Appl. No.:** **29/281,184**

D323,744 S 2/1992 Casale
D329,327 S 9/1992 Holtzclaw, Jr.
D380,295 S * 7/1997 Morris D3/243
D393,366 S * 4/1998 Kopel D3/233
D415,893 S * 11/1999 Inbert D3/243
D504,229 S * 4/2005 Duvigneau D3/290
D520,238 S 5/2006 Montague
D531,407 S 11/2006 Montague
D538,532 S * 3/2007 Cassegrain D3/232

(22) **Filed:** **Jun. 18, 2007**

* cited by examiner

(51) **LOC (9) Cl.** **03-01**
(52) **U.S. Cl.** **D3/243**
(58) **Field of Classification Search** D3/230,
D3/232-234, 238, 240-246, 318, 324; 150/100,
150/103-104, 107-110, 118-119
See application file for complete search history.

Primary Examiner—Holly H Baynham
(74) *Attorney, Agent, or Firm*—Fraser Clemens Martin & Miller LLC; Donald R. Fraser

(56) **References Cited**
U.S. PATENT DOCUMENTS

(57) **CLAIM**

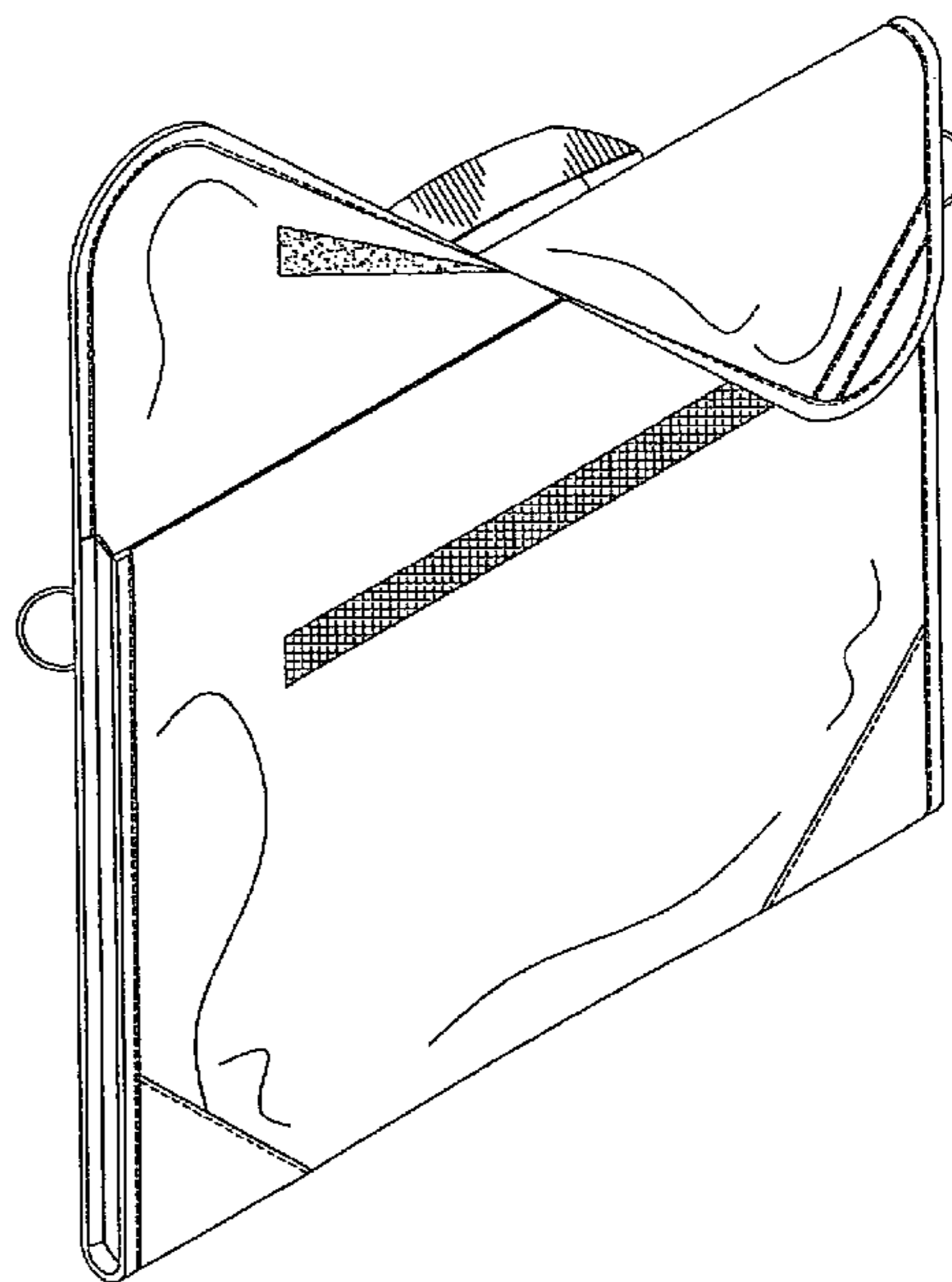
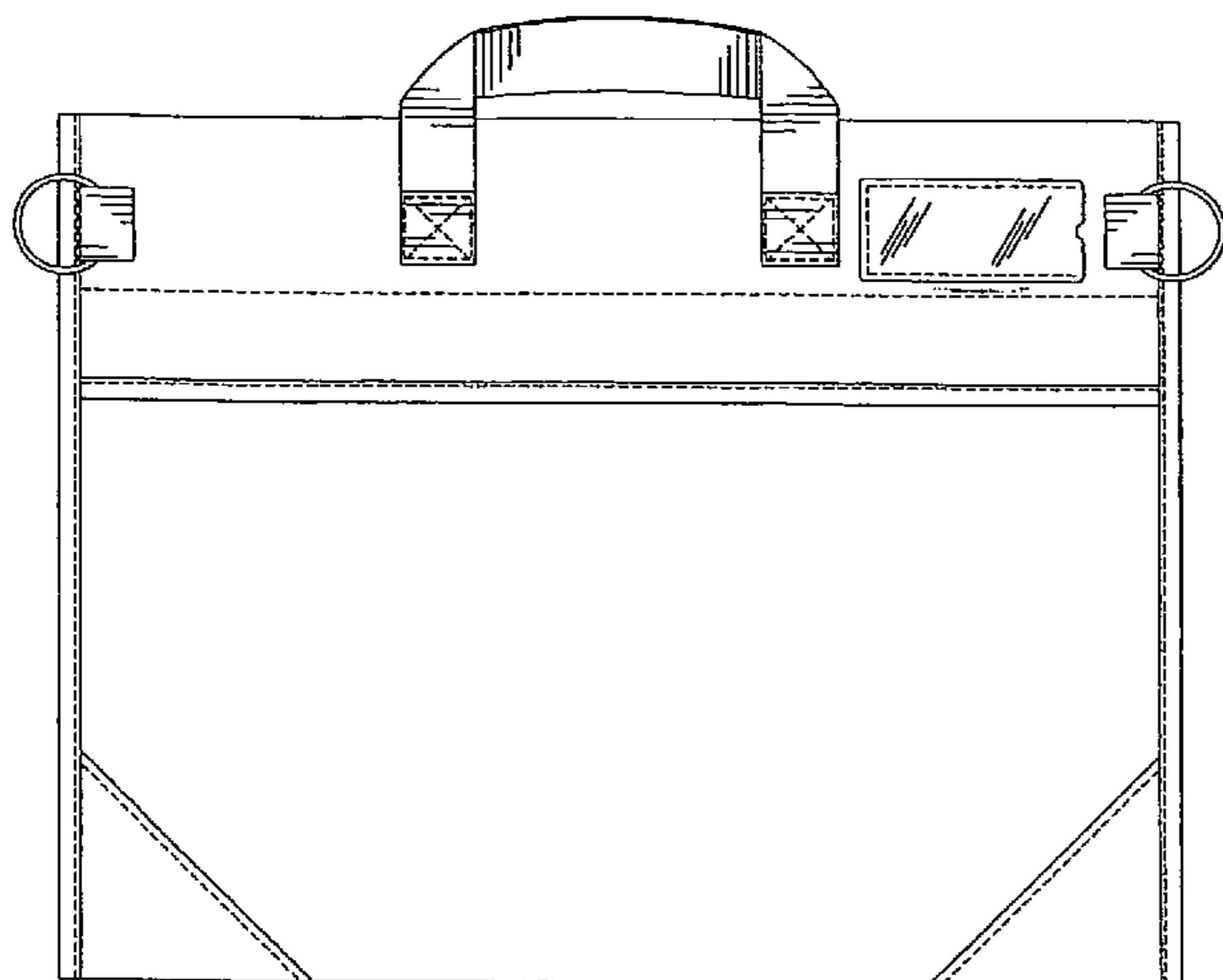
The ornamental design for a bag, as shown and described.

1,305,797 A	6/1919	Henderson
1,426,485 A	8/1922	LaRoche
1,739,634 A	12/1929	Friedman
2,055,405 A	9/1936	Alfred
2,175,327 A	10/1939	Thornhill et al.
D135,359 S	3/1943	Boyar
2,539,051 A	1/1951	Benefeld
3,429,498 A	2/1969	Dorfman
D236,630 S	9/1975	McMananey
D263,095 S	2/1982	Wajs et al.

DESCRIPTION

FIG. 1 is a rear elevational view of a bag;
FIG. 2 is a top plan view of the bag of FIG. 1;
FIG. 3 is a bottom plan view thereof;
FIG. 4 is a front perspective view thereof;
FIG. 5 is a front elevational view thereof;
FIG. 6 is a left side elevational view thereof; and,
FIG. 7 is a perspective view thereof, showing the bag in a partially open position.

1 Claim, 3 Drawing Sheets



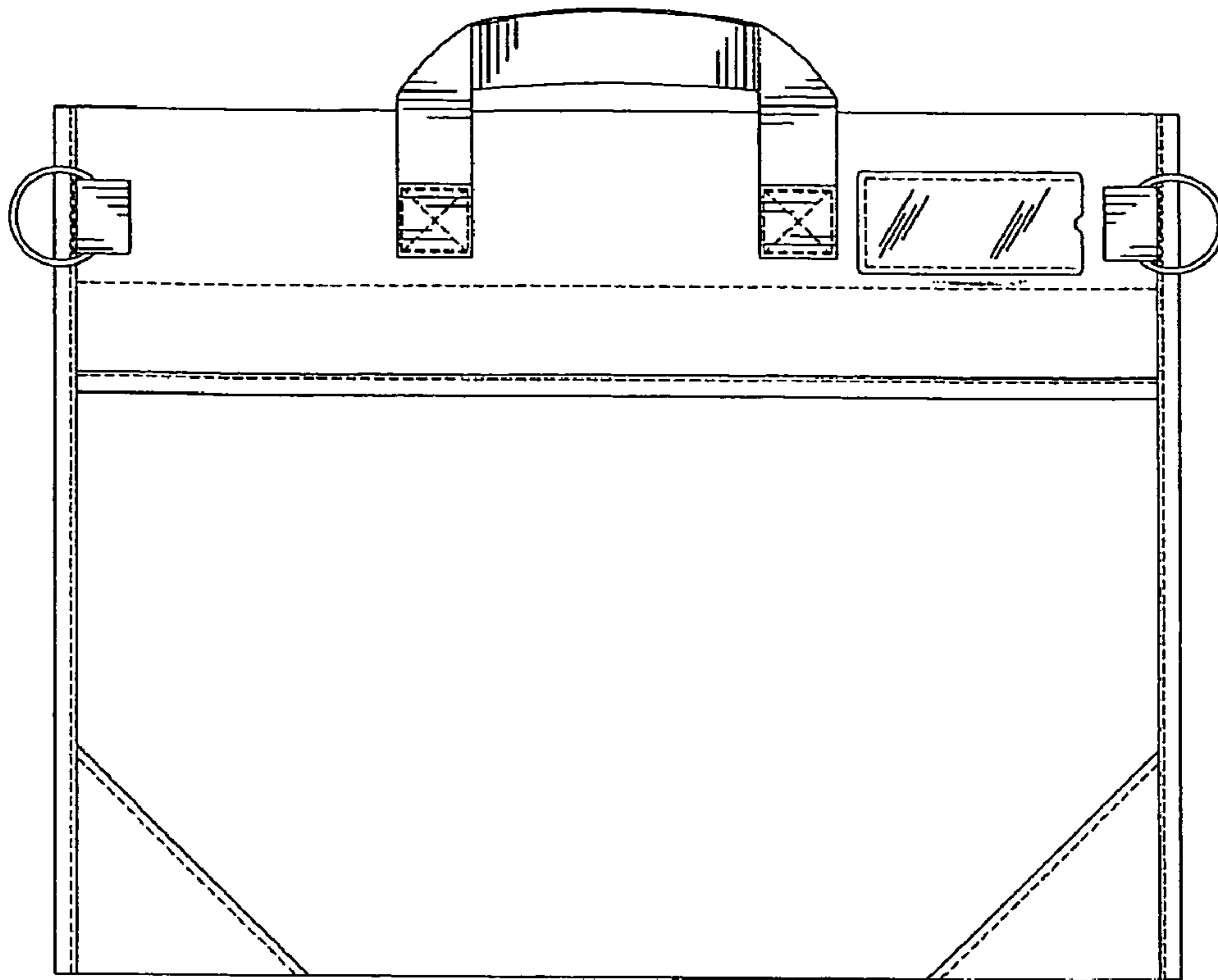


FIG. 1

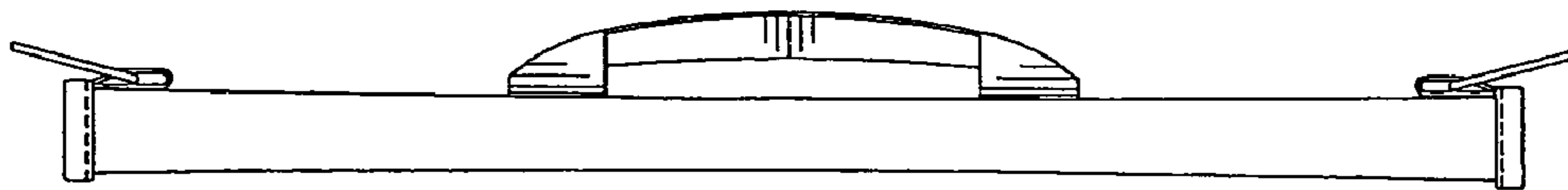


FIG. 2



FIG. 3

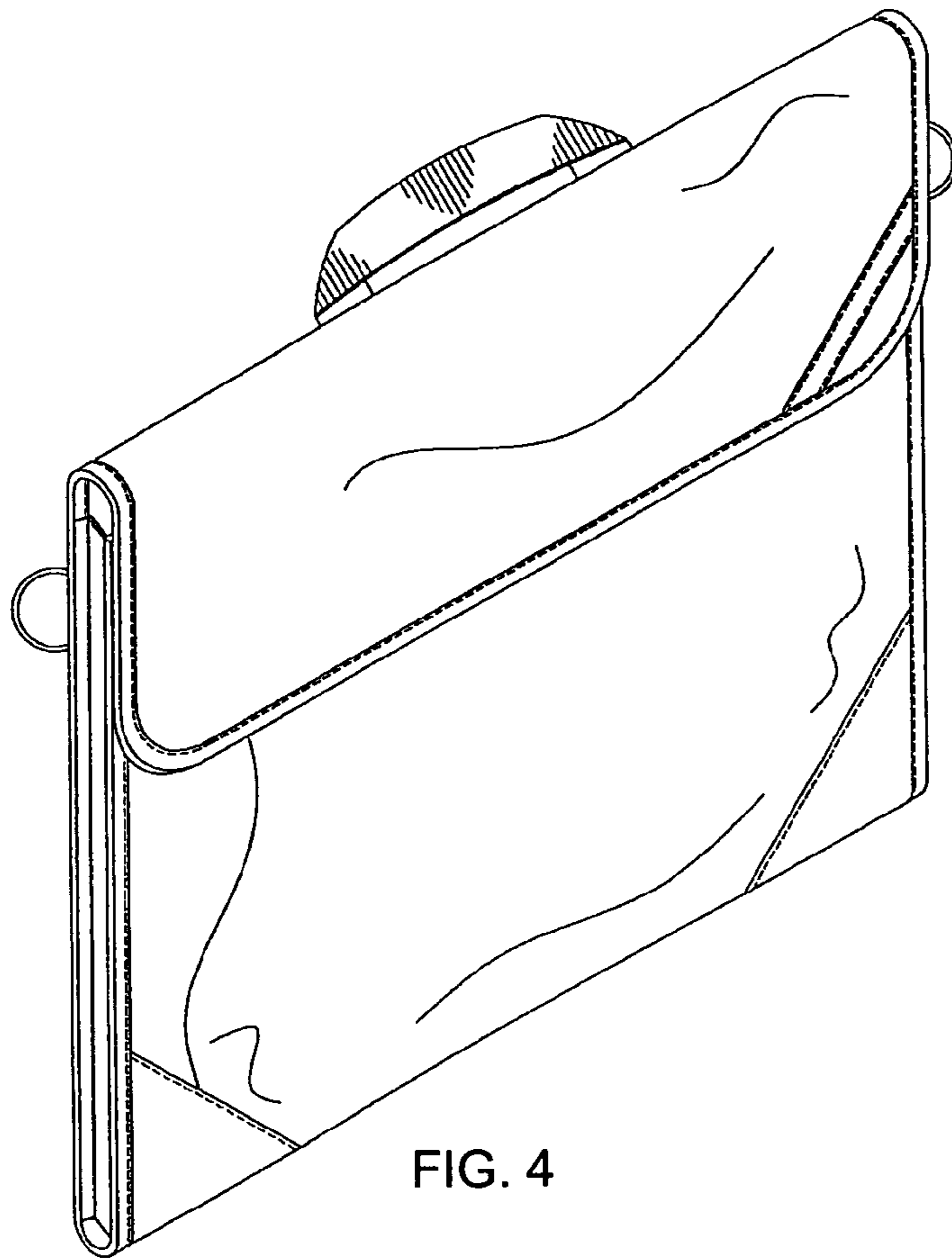


FIG. 4

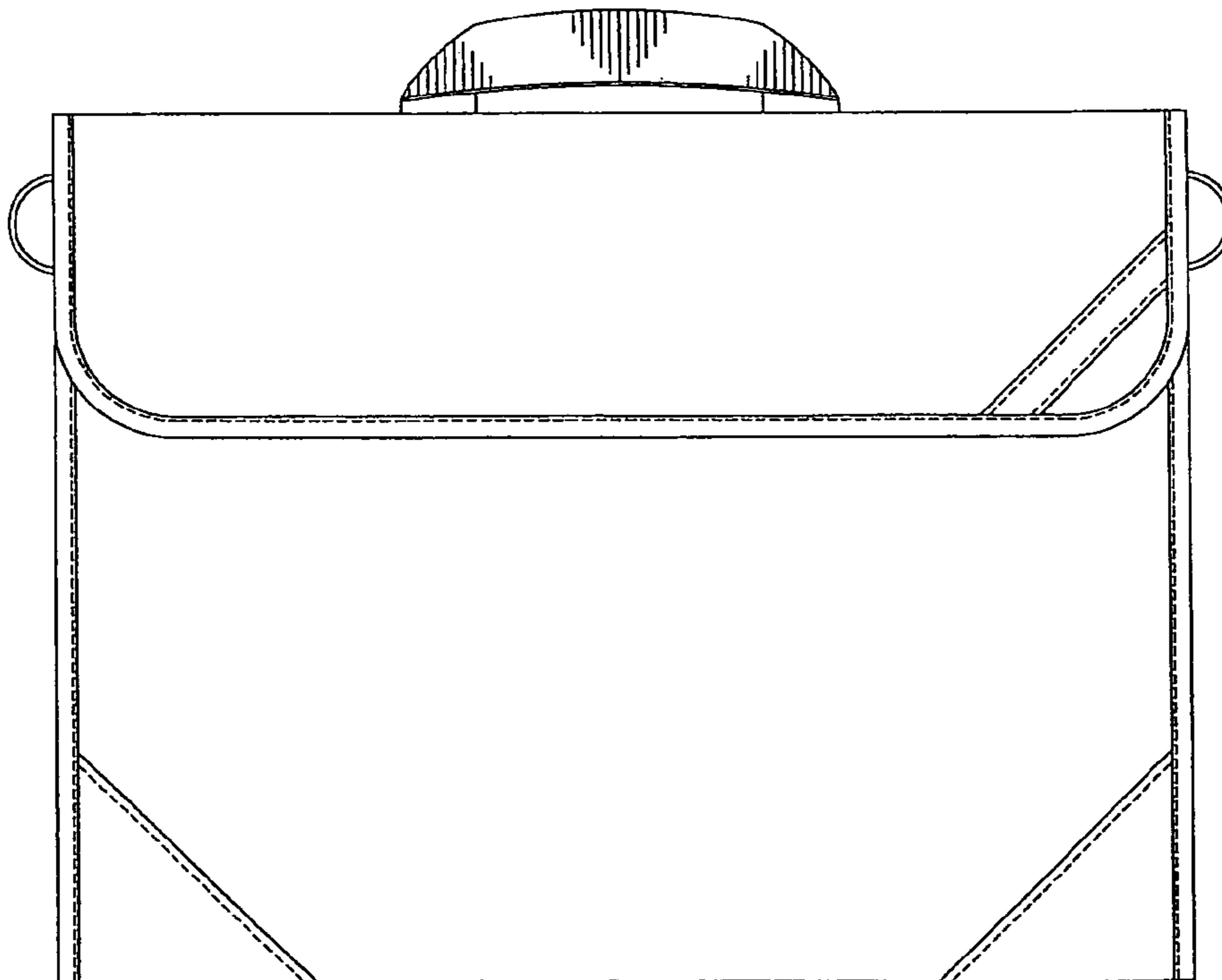


FIG. 5

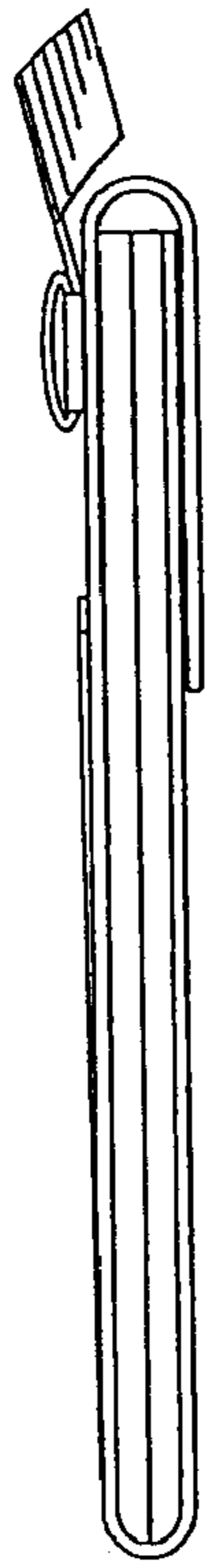


FIG. 6

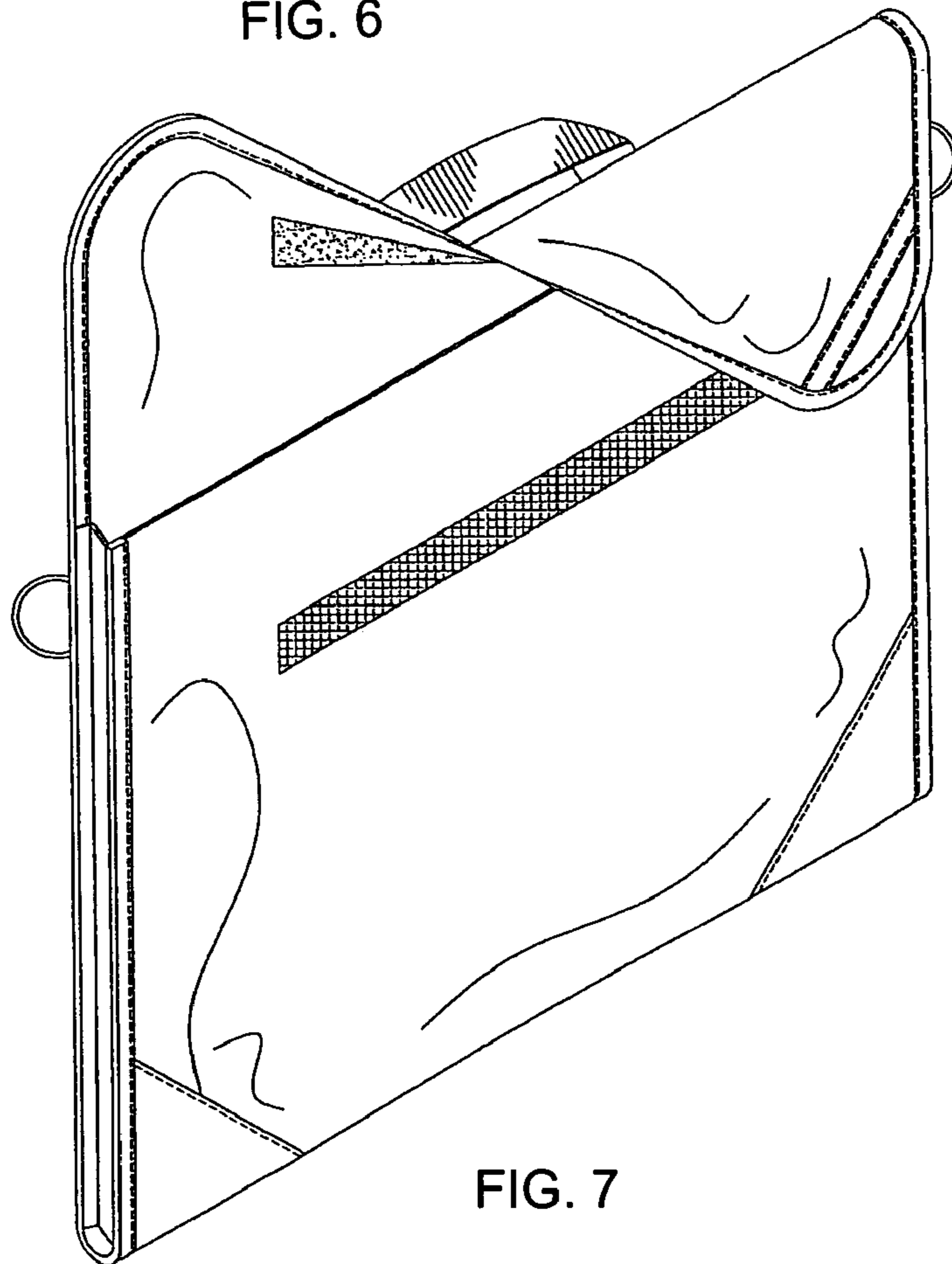


FIG. 7