



US00D584044S

(12) **United States Design Patent**  
**Morelli**

(10) **Patent No.:** **US D584,044 S**  
(45) **Date of Patent:** **\*\* Jan. 6, 2009**

(54) **HANDBAG**

(75) Inventor: **Giovanni Morelli**, Milan (IT)

(73) Assignee: **Chloe S.A.S.**, Paris (FR)

(\*\*) Term: **14 Years**

(21) Appl. No.: **29/294,117**

(22) Filed: **Dec. 21, 2007**

(51) **LOC (9) Cl.** ..... **03-01**

(52) **U.S. Cl.** ..... **D3/232**

(58) **Field of Classification Search** ..... D3/232-234,  
D3/240-246, 318, 322, 324; 150/100, 103-104,  
150/107-110, 114, 118-119

See application file for complete search history.

(56) **References Cited**

**U.S. PATENT DOCUMENTS**

- D280,866 S \* 10/1985 Bomes et al. .... D3/287
- D380,087 S \* 6/1997 Roth ..... D3/243
- D522,238 S \* 6/2006 Stulman ..... D3/243
- D534,352 S \* 1/2007 Delafontaine ..... D3/246
- D535,475 S \* 1/2007 Delafontaine ..... D3/246

D555,898 S \* 11/2007 Morelli ..... D3/232

\* cited by examiner

*Primary Examiner*—Holly H Baynham

(74) *Attorney, Agent, or Firm*—Fross Zelnick Lehrman & Zissu, P.C.; Lawrence E. Apolzon, Esq.

(57) **CLAIM**

The ornamental design for a handbag, as shown and described.

**DESCRIPTION**

FIG. 1 is a front of the handbag showing my new design;

FIG. 2 is a rear view of the handbag shown in FIG. 1;

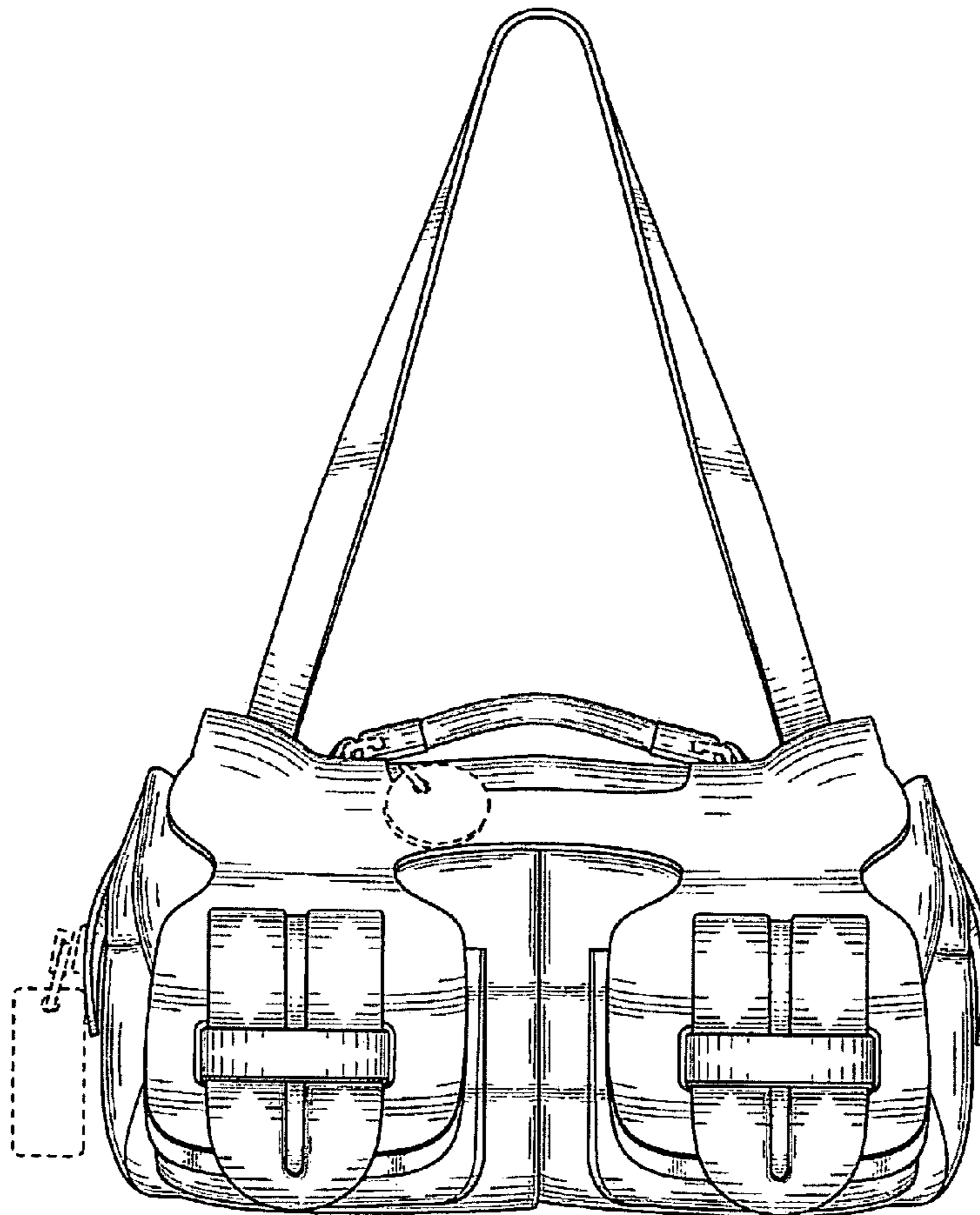
FIG. 3 is a left side view of the handbag shown in FIG. 1;

FIG. 4 is a right side view of the handbag shown in FIG. 1; and,

FIG. 5 is a front perspective view of the handbag shown in FIG. 1.

The broken line showing of the zippers, zipper pulls, hanging tags, and rectangular rings is for illustrative purposes only and forms no part of the claimed design.

**1 Claim, 5 Drawing Sheets**



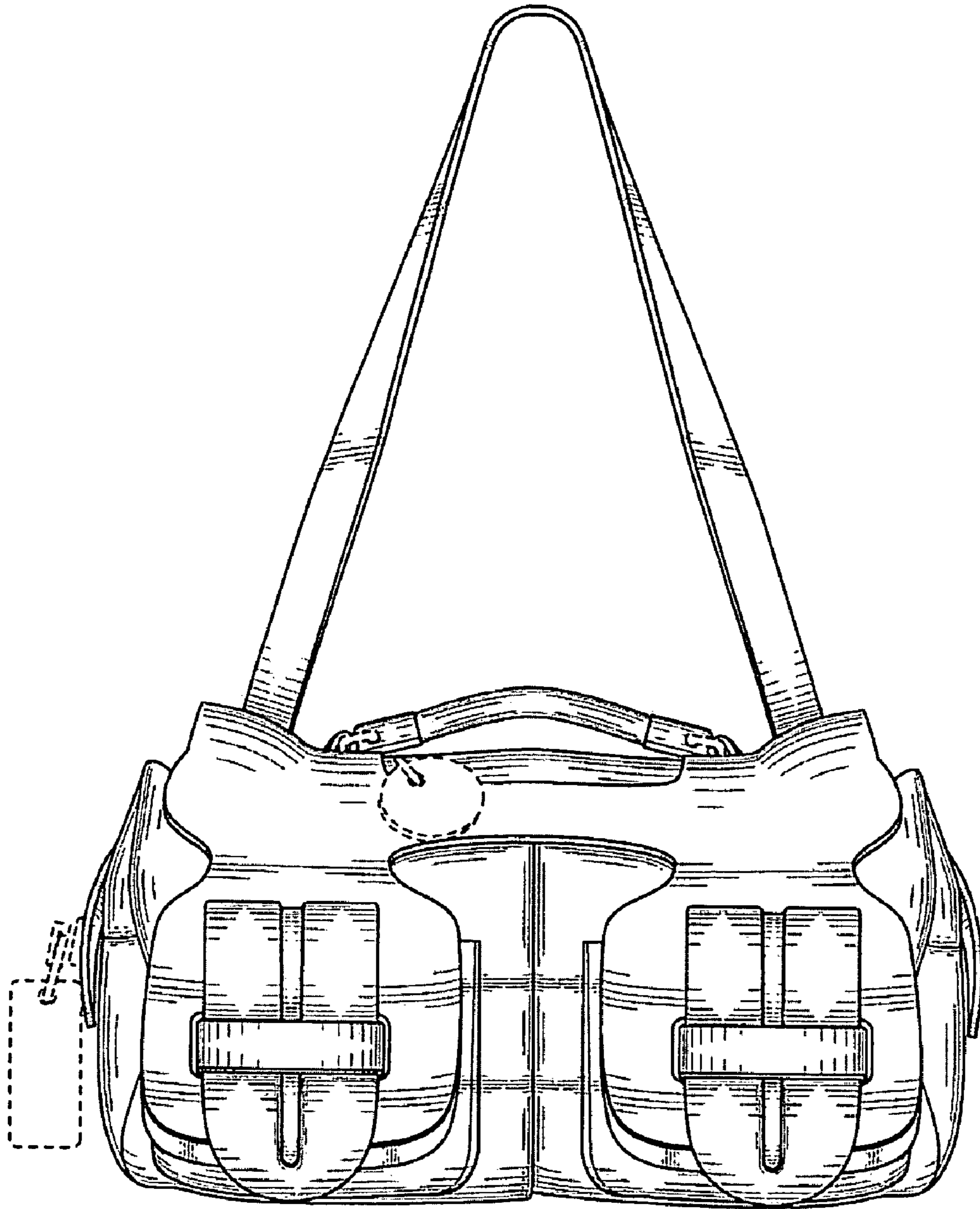


FIG. 1

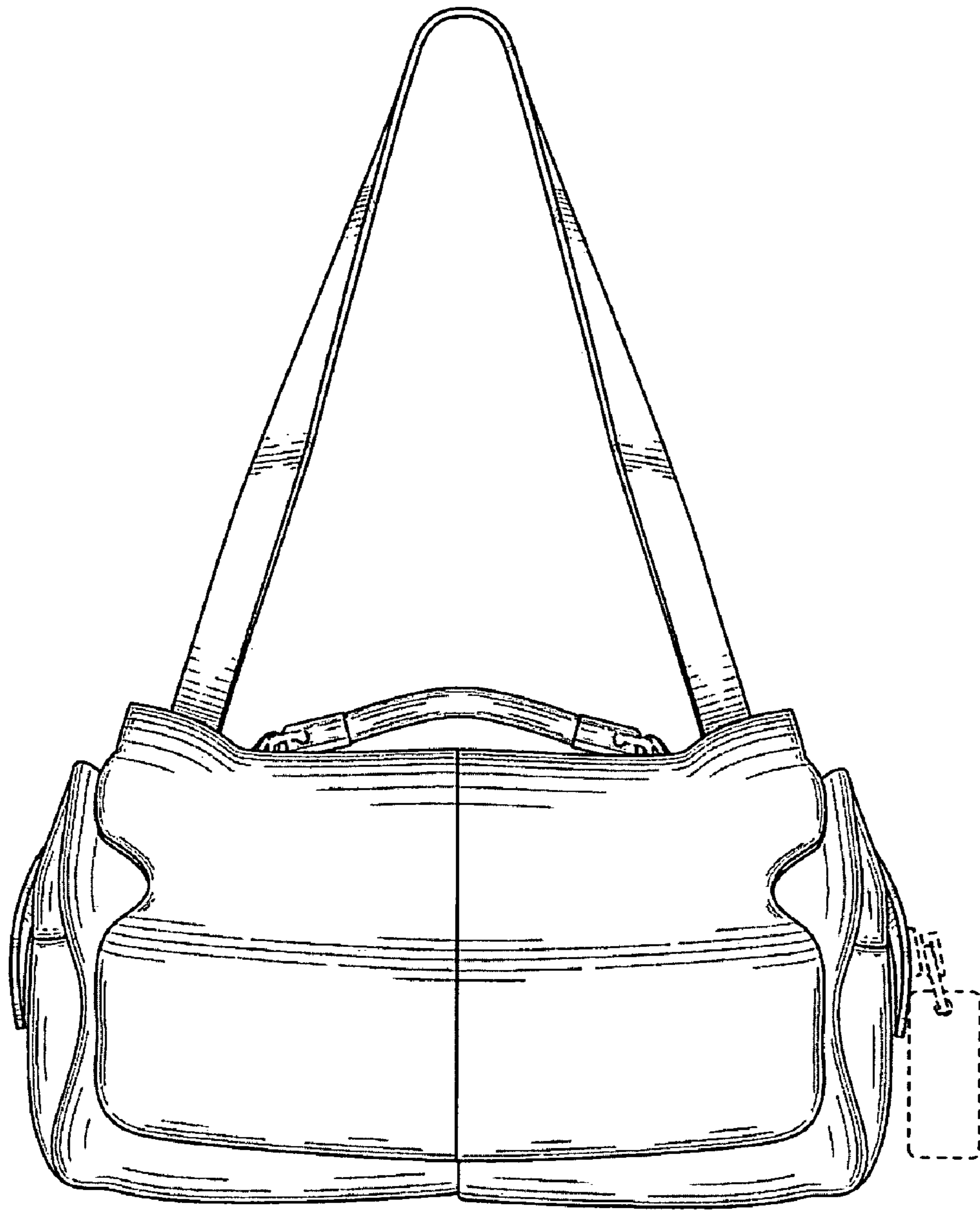


FIG. 2

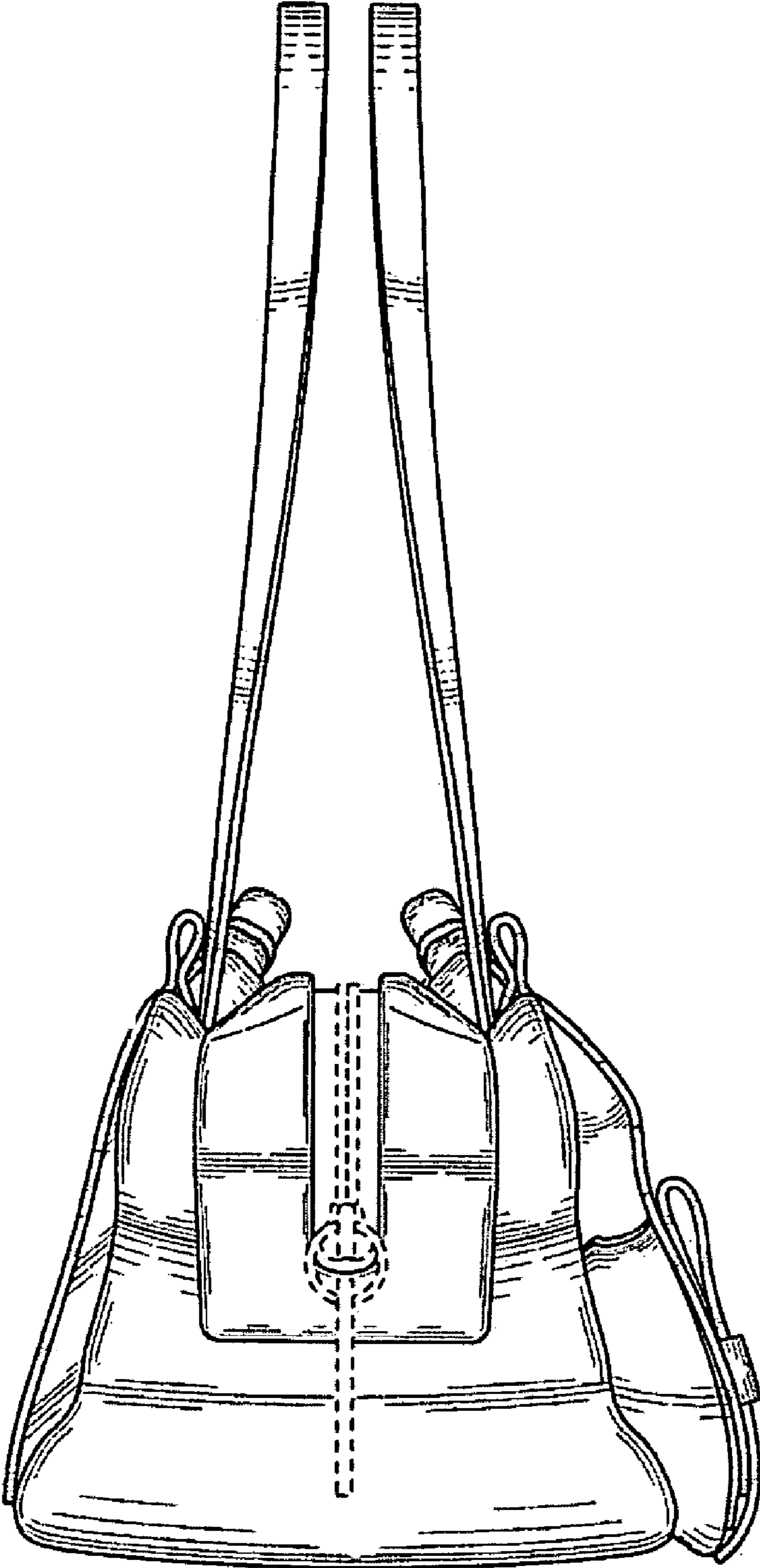


FIG. 3



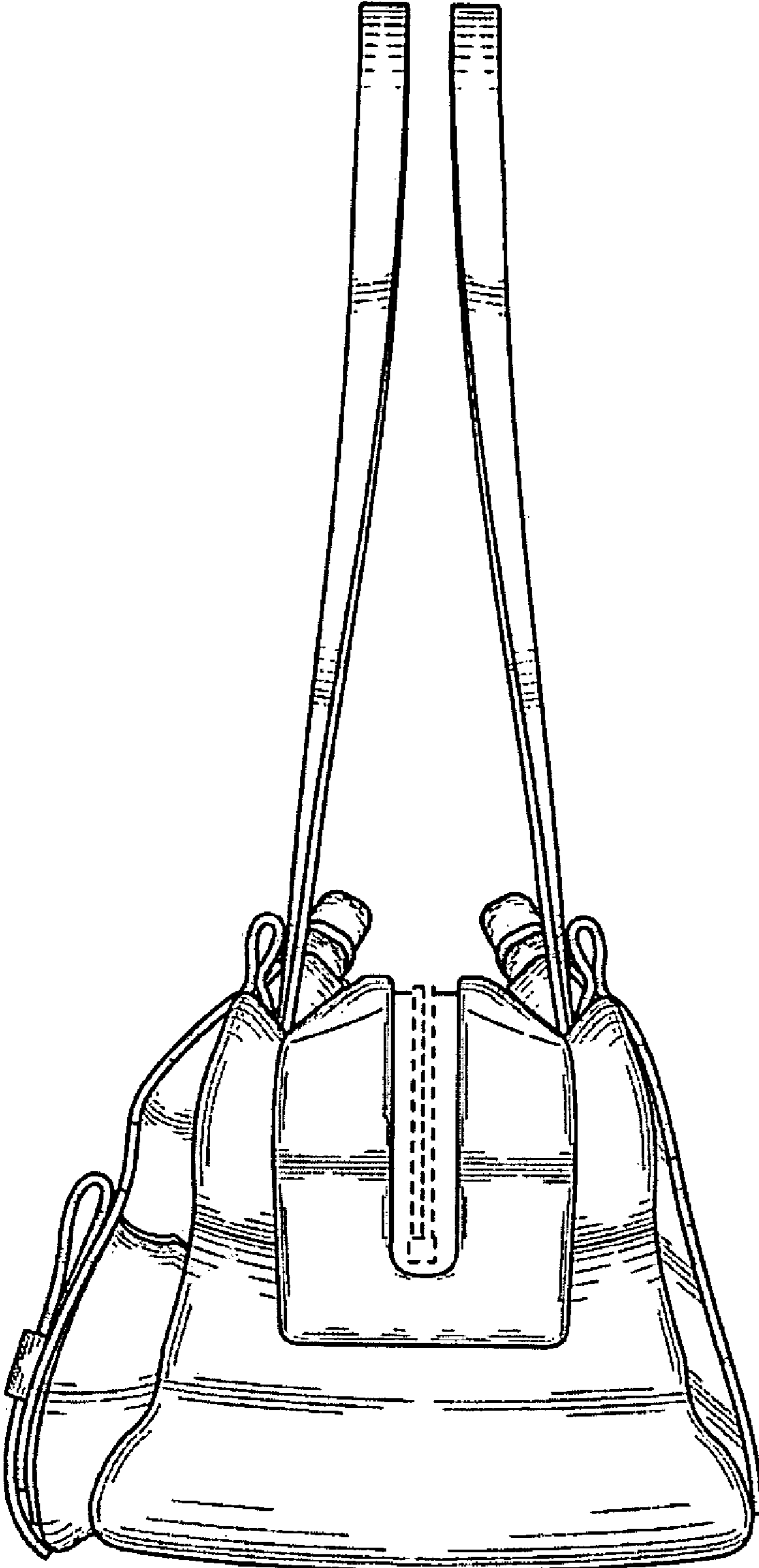


FIG. 4

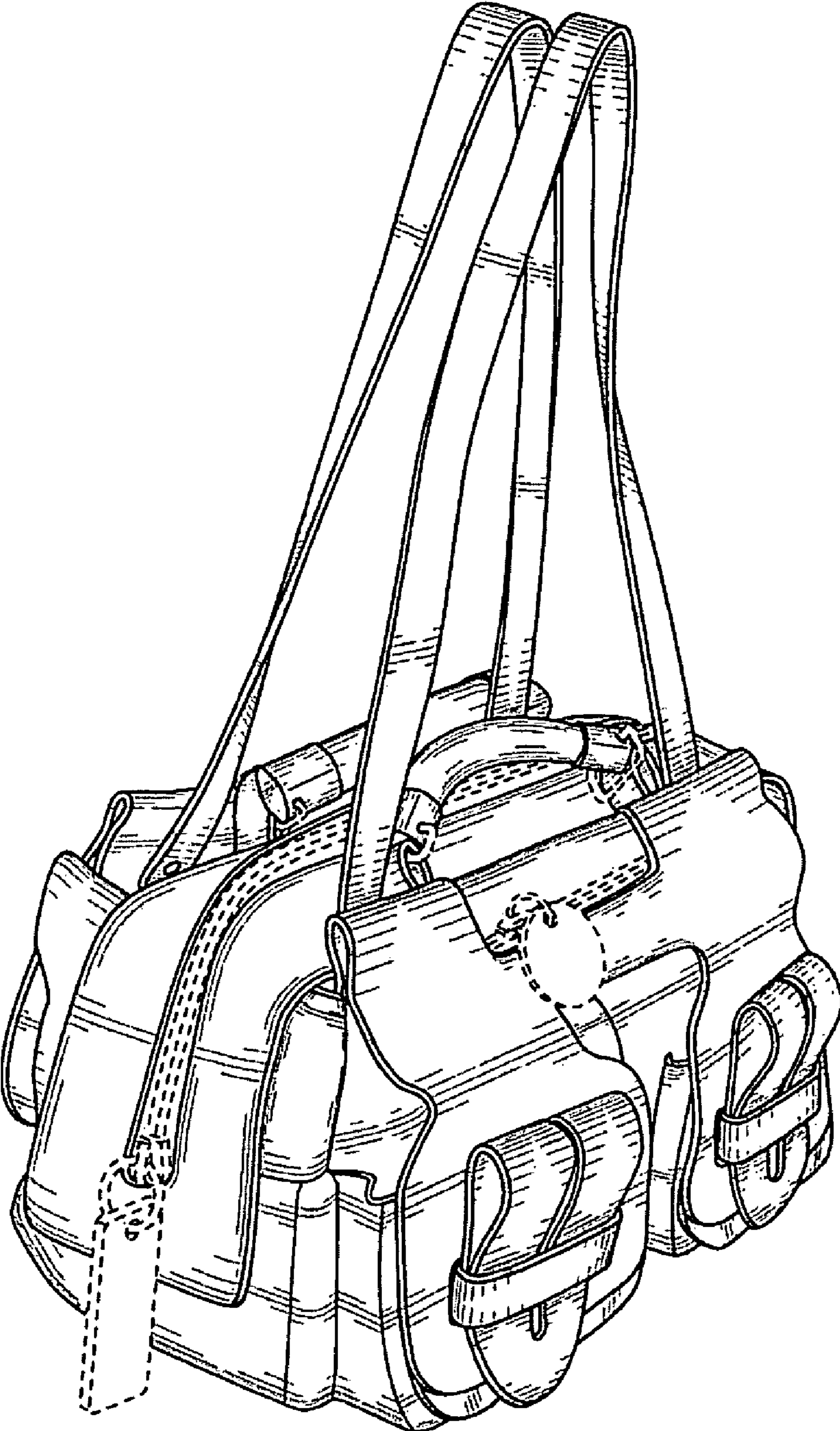


FIG. 5