



US00D584043S

(12) **United States Design Patent**
Baskett

(10) **Patent No.:** **US D584,043 S**
(45) **Date of Patent:** **** Jan. 6, 2009**

(54) **DEVICE FOR HOLDING BAIT JARS**

(57) **CLAIM**

(75) Inventor: **Ronald W. Baskett**, San Bernardino, CA (US)

The ornamental design for a device for holding bait jars, as shown and described.

(73) Assignee: **Bait Strap USA, Inc.**, Redlands, CA (US)

DESCRIPTION

(**) Term: **14 Years**

FIG. 1 is a front elevational view of a device for holding bait jars, in accordance with a first embodiment of my new design; FIG. 2 is a side elevational view of the device for holding bait jars of FIG. 1, taken from the left side of FIG. 1;

(21) Appl. No.: **29/320,051**

FIG. 3 is a side elevational view of the device for holding bait jars of FIG. 1, taken from the right side of FIG. 1;

(22) Filed: **Jun. 19, 2008**

FIG. 4 is a rear elevational view of the device for holding bait jars of FIG. 1;

(51) **LOC (9) Cl.** **03-01**

(52) **U.S. Cl.** **D3/221; D3/229; D22/134**

FIG. 5 is a top plan view of the device for holding bait jars of FIG. 1;

(58) **Field of Classification Search** D3/215, D3/221, 207-211, 228, 229, 327, 328, 328.1, D3/329, 254; 24/16 R, 3.13, 17 B, 442, 3.6, 24/116 A, 3 K; 206/315.4, 315.3; 224/250, 224/269, 251, 904, 609, 257-258, 901.2, 224/901.4, 913-917; 294/149-150

FIG. 6 is a bottom plan view of the device for holding bait jars of FIG. 1;

See application file for complete search history.

FIG. 7 is a perspective view of the device for holding bait jars of FIG. 1, showing the device holding two bait jars, the bait jars forming no part of the design;

(56) **References Cited**

U.S. PATENT DOCUMENTS

FIG. 8 is a front elevational view of a device for holding bait jars, in accordance with a second embodiment of my new design;

D329,744 S *	9/1992	Moore	D3/328
D410,775 S *	6/1999	Halbot, Jr.	D3/254
D437,995 S *	2/2001	Perthou	D3/207
6,353,975 B1 *	3/2002	Phillips	24/3.13
D462,523 S *	9/2002	Kalbach	D3/327
D472,044 S *	3/2003	Lukach	D3/215
D509,065 S *	9/2005	Koenig	D3/327
D530,095 S *	10/2006	Herzberg	D3/327
D541,043 S *	4/2007	Paradise	D3/221
D557,008 S *	12/2007	Stiller	D3/207

FIG. 9 is a side elevational view of the device for holding bait jars of FIG. 8, taken from the left side of FIG. 8;

FIG. 10 is a side elevational view of the device for holding bait jars of FIG. 8, taken from the right side of FIG. 8;

FIG. 11 is a rear elevational view of the device for holding bait jars of FIG. 8;

FIG. 12 is a top plan view of the device for holding bait jars of FIG. 8;

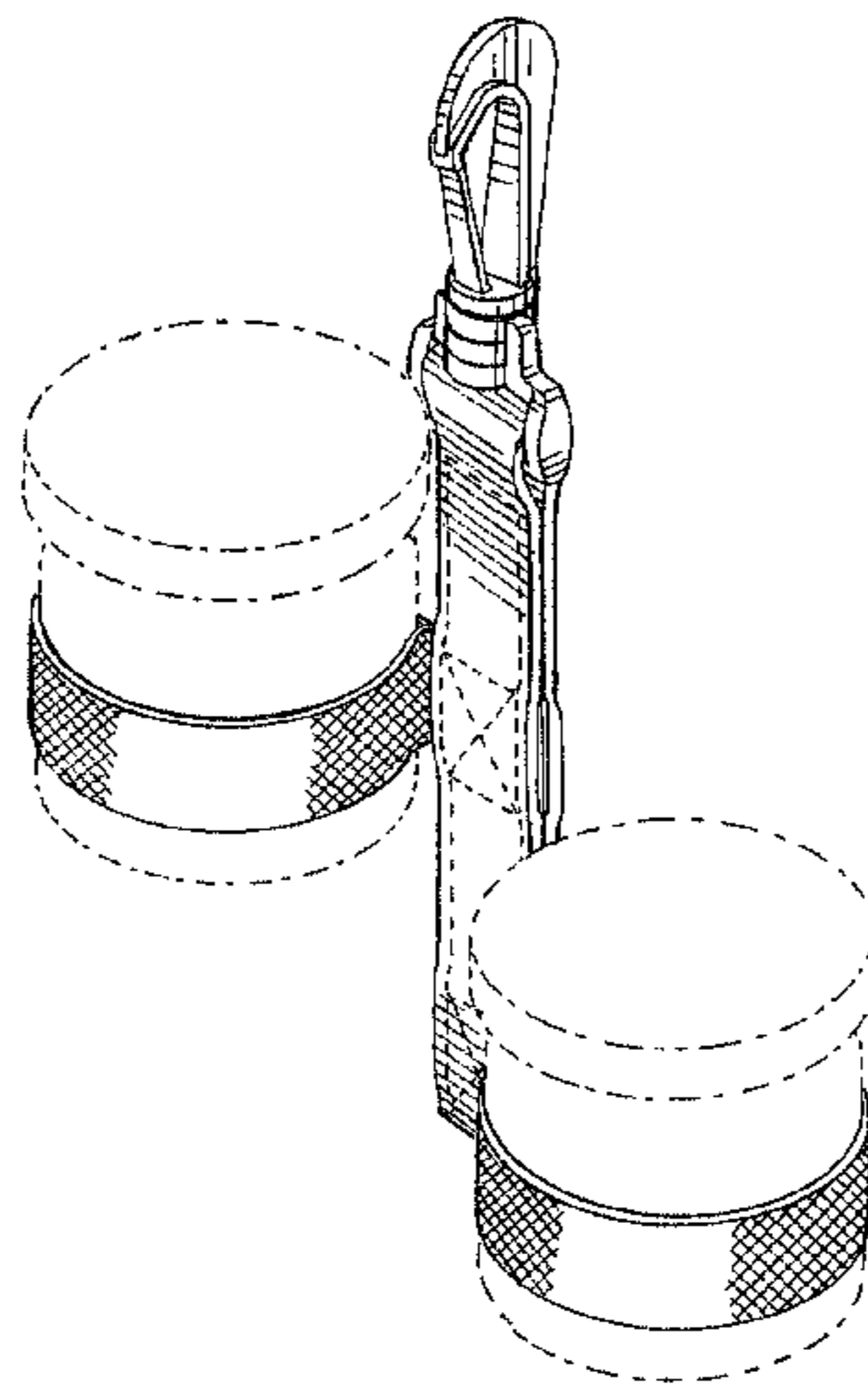
FIG. 13 is a bottom plan view of the device for holding bait jars of FIG. 8; and,

FIG. 14 is a perspective view of the device for holding bait jars of FIG. 8, showing the device holding a bait jar, the bait jar forming no part of the design.

* cited by examiner

Primary Examiner—Catherine R Oliver
(74) *Attorney, Agent, or Firm*—Klein, O'Neill & Singh, LLP

1 Claim, 6 Drawing Sheets



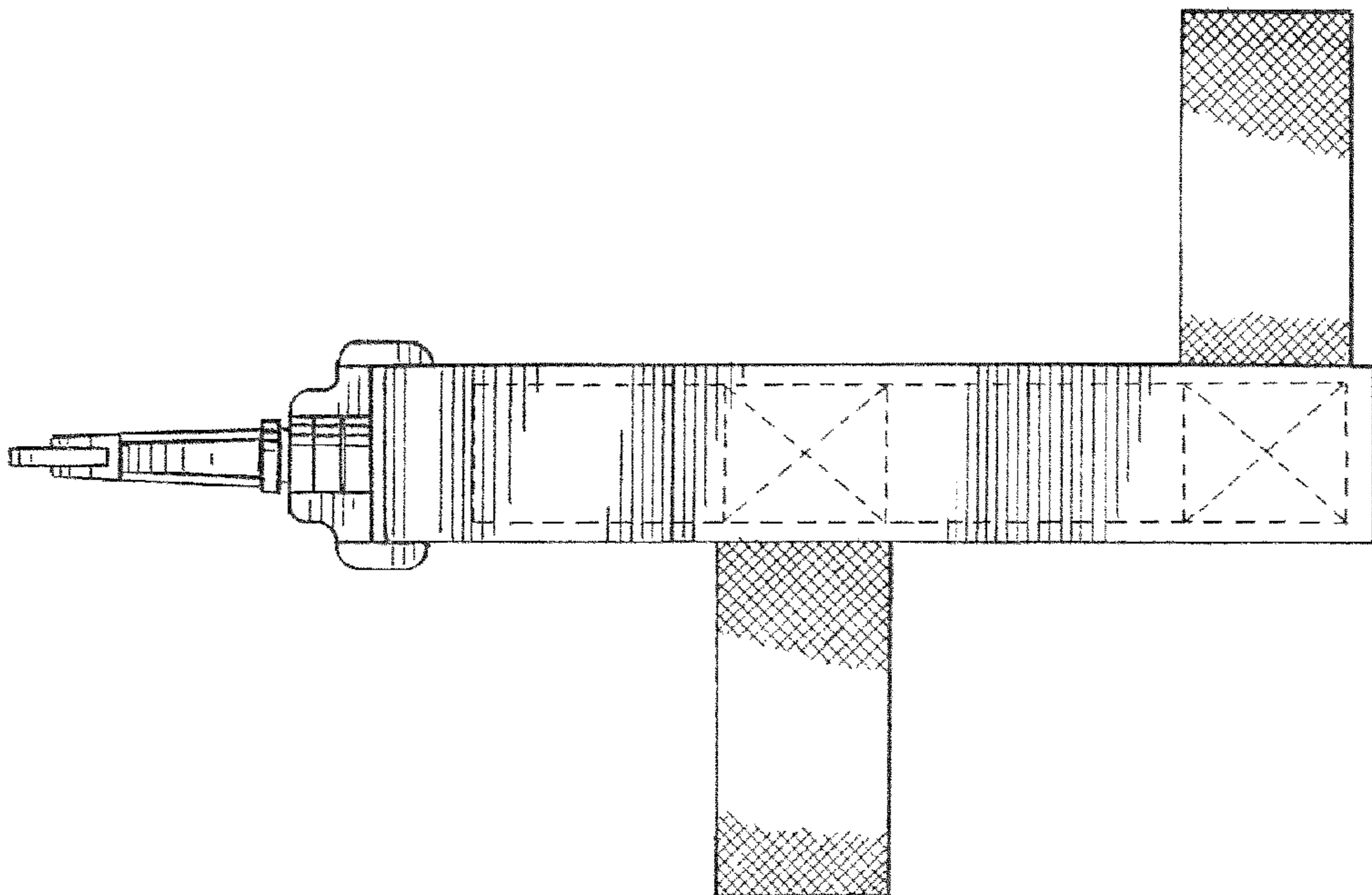


FIG. 1

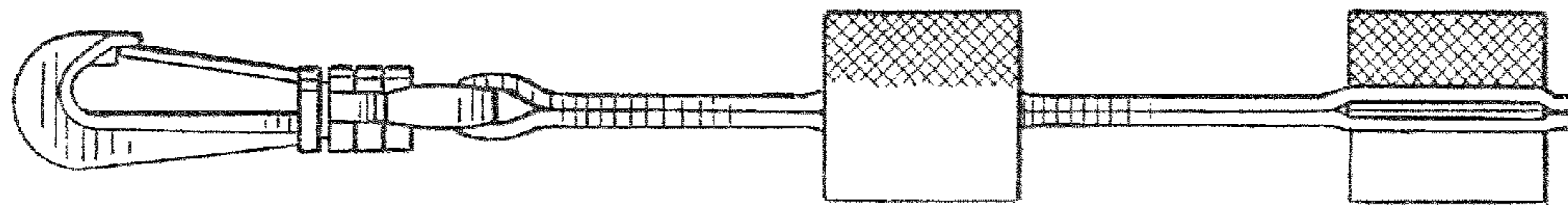


FIG. 2

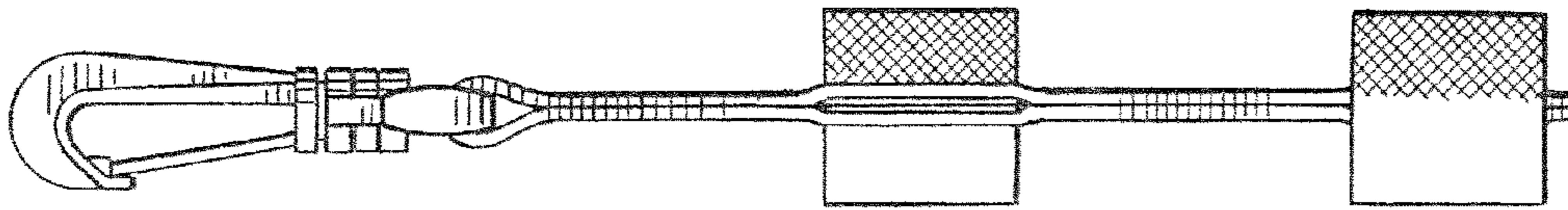


FIG. 3

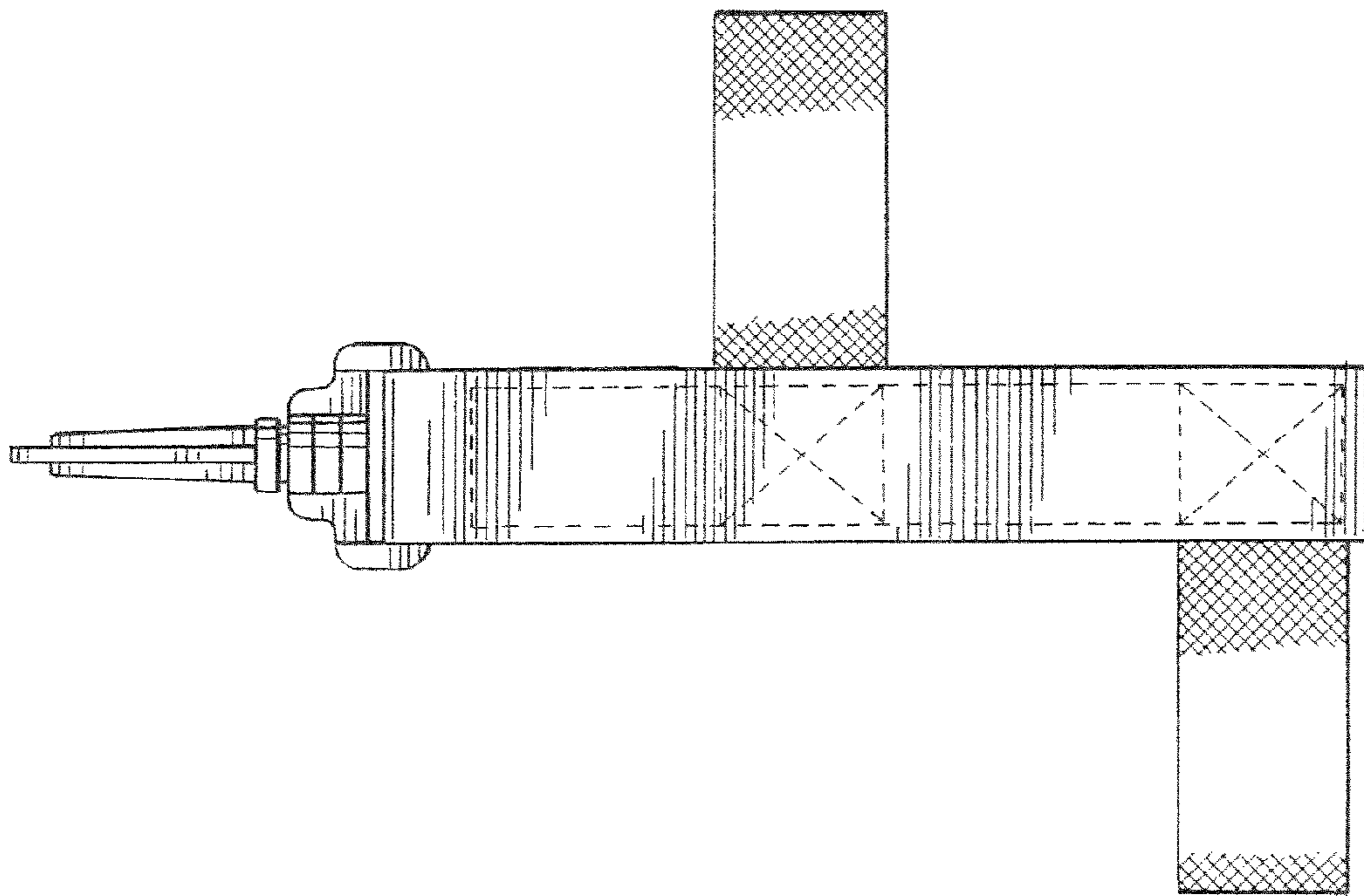


FIG. 4

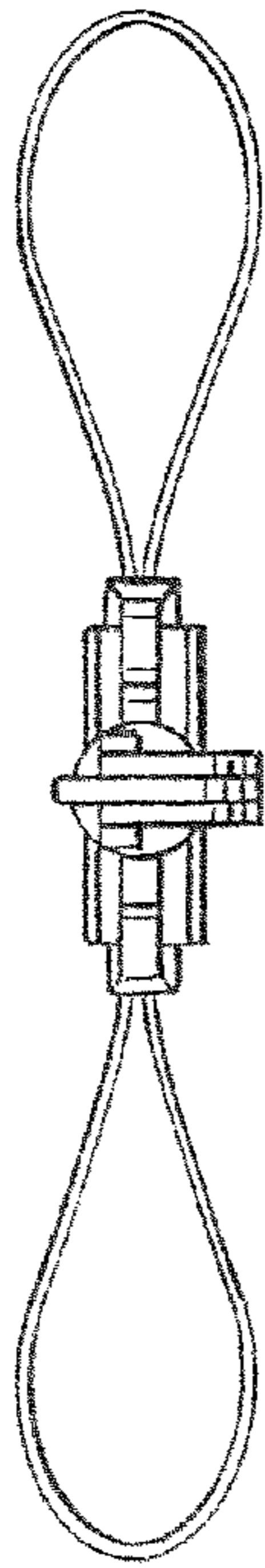


FIG. 5

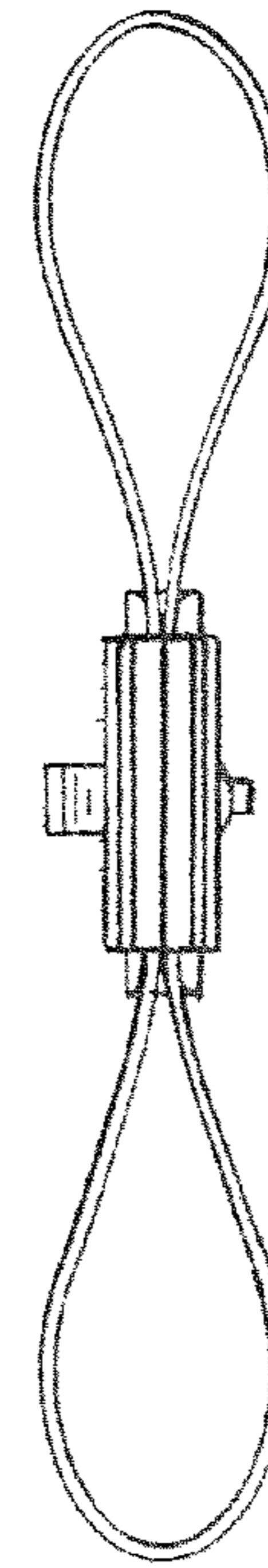


FIG. 6

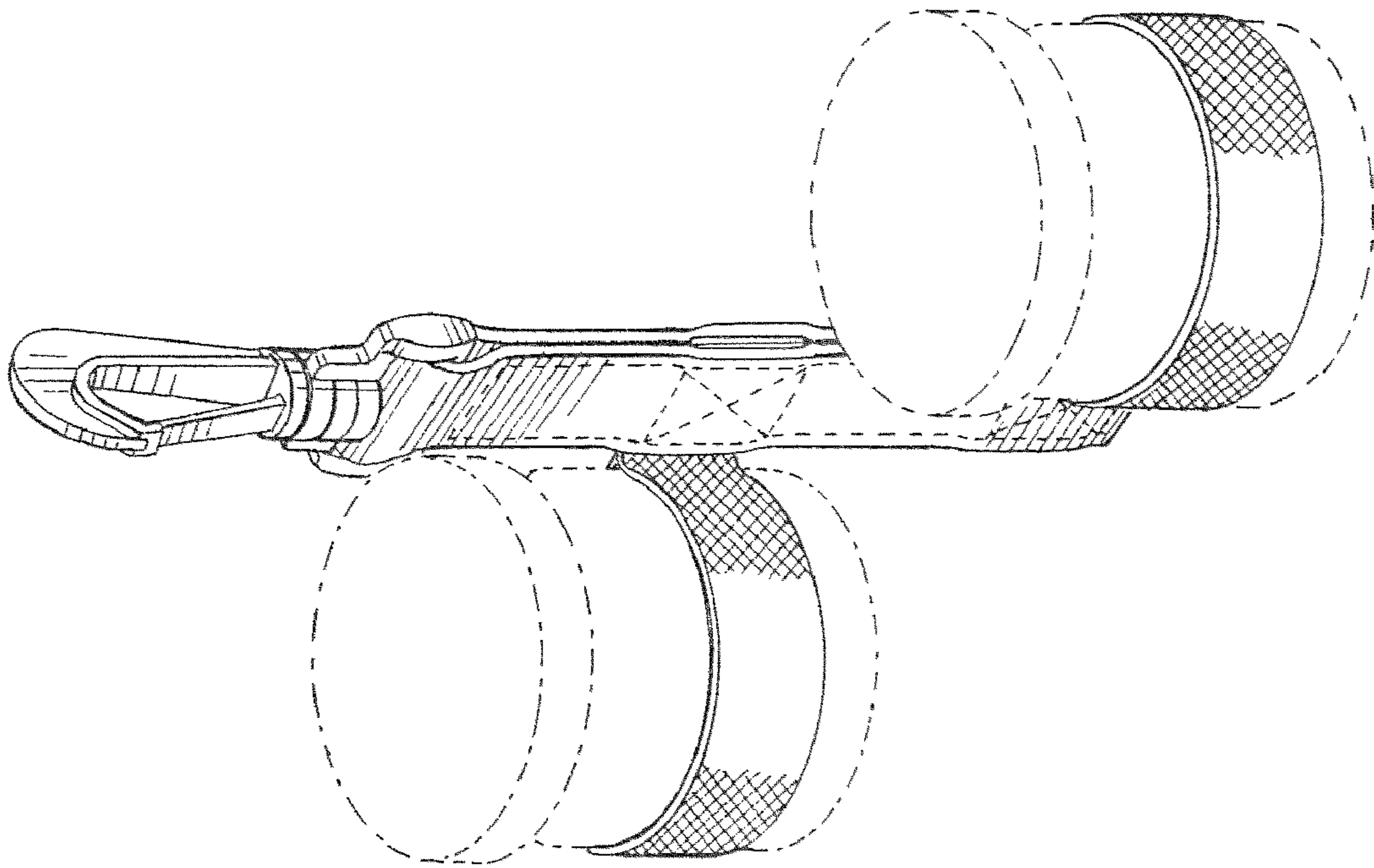


FIG. 7

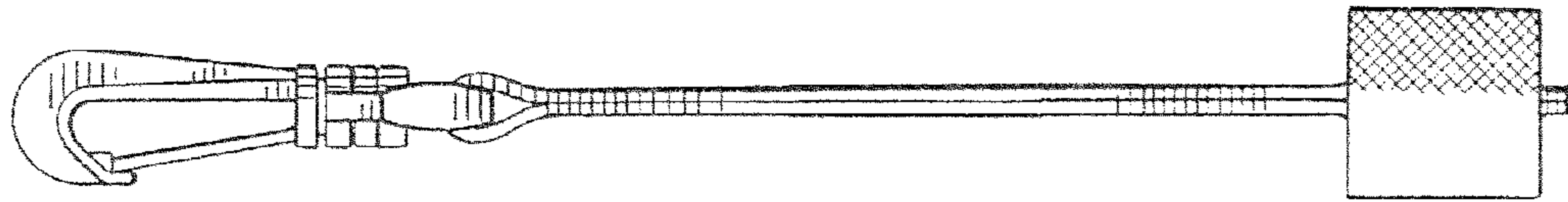


FIG. 10

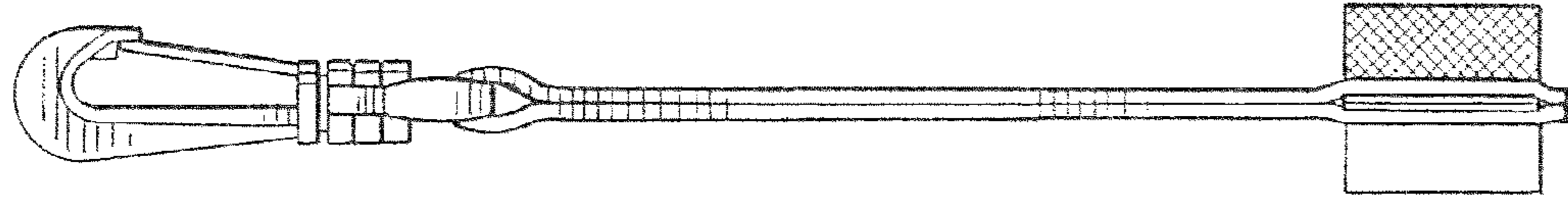


FIG. 9

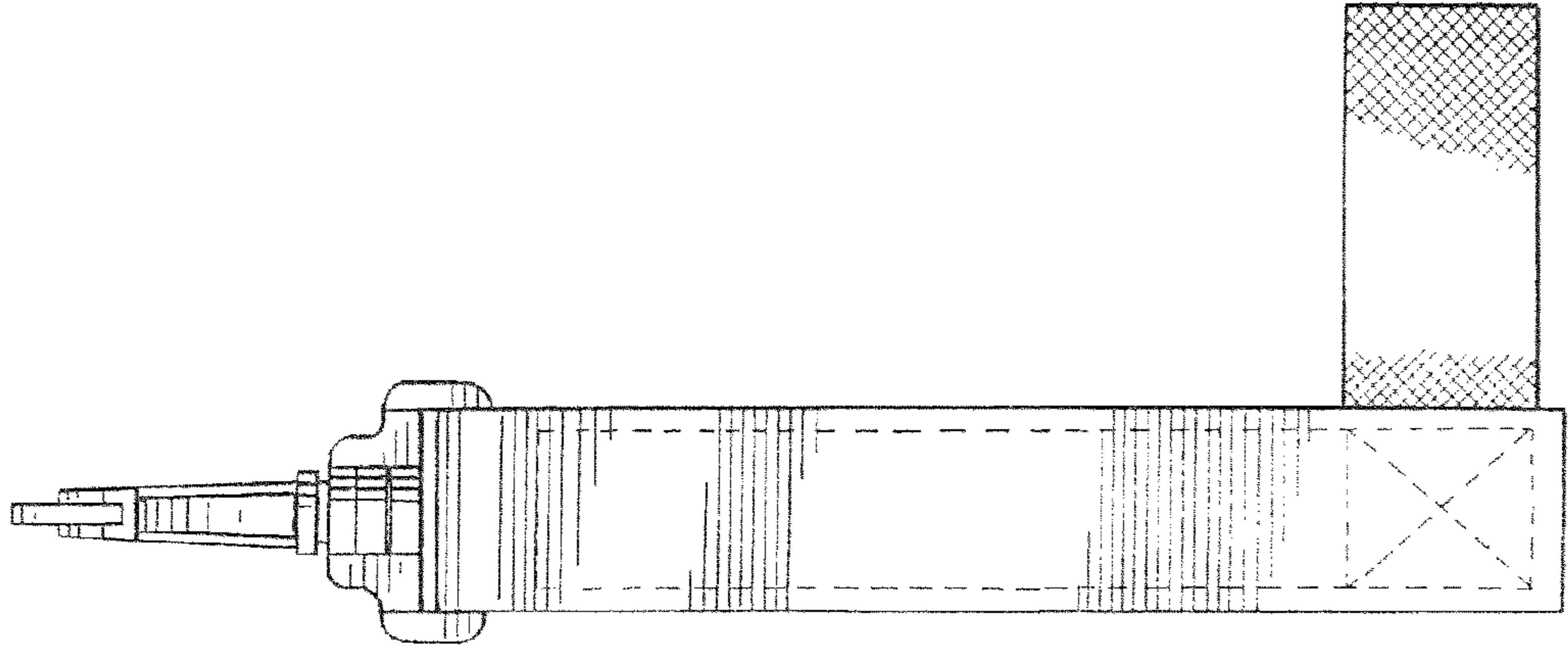


FIG. 8

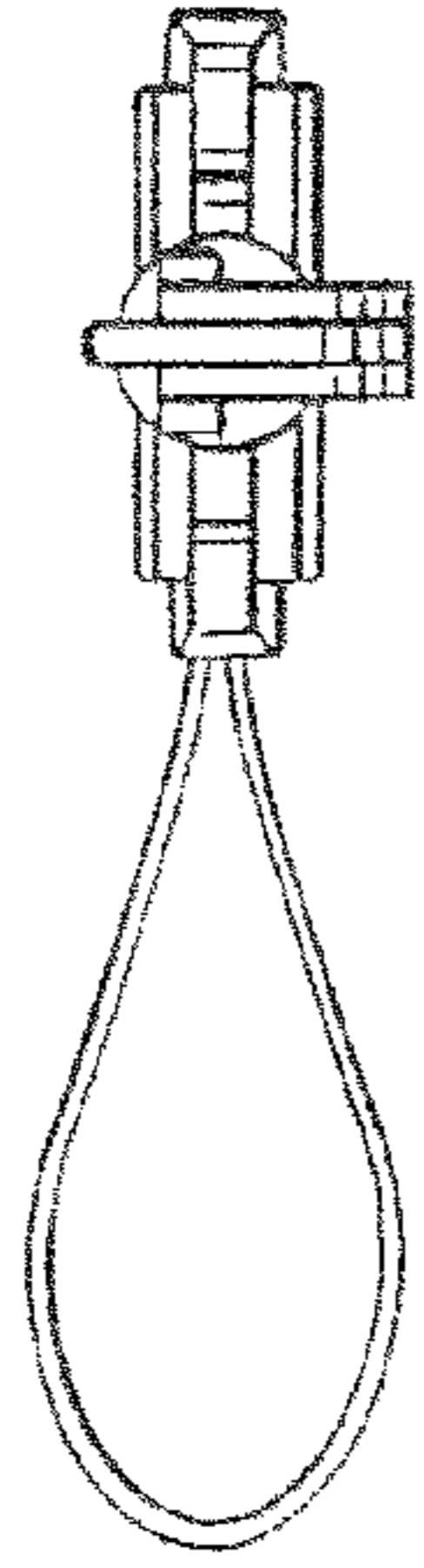


FIG. 12

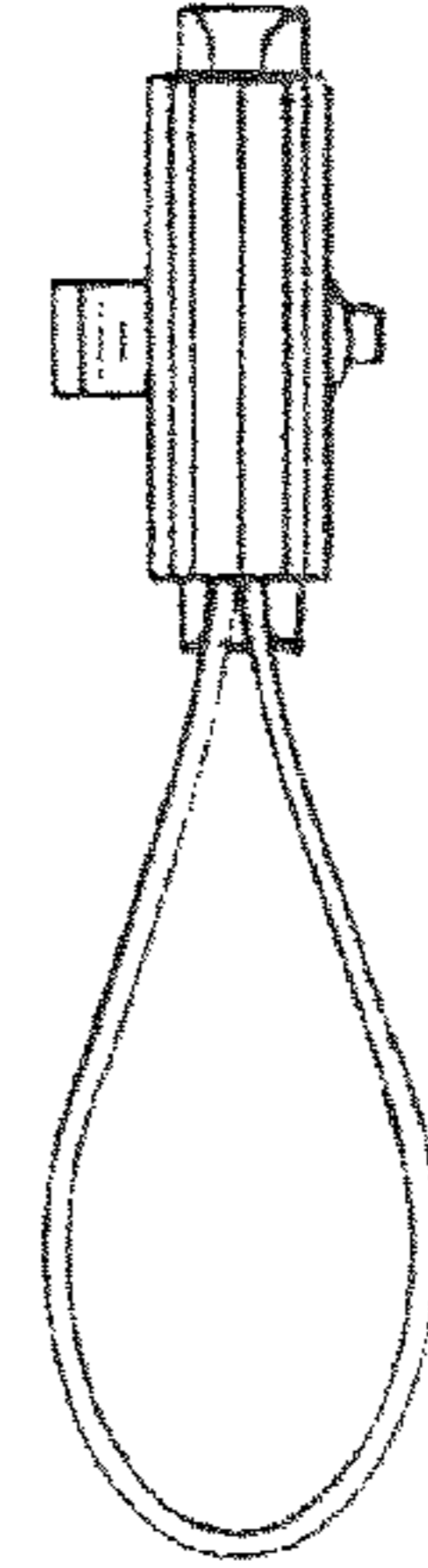


FIG. 13

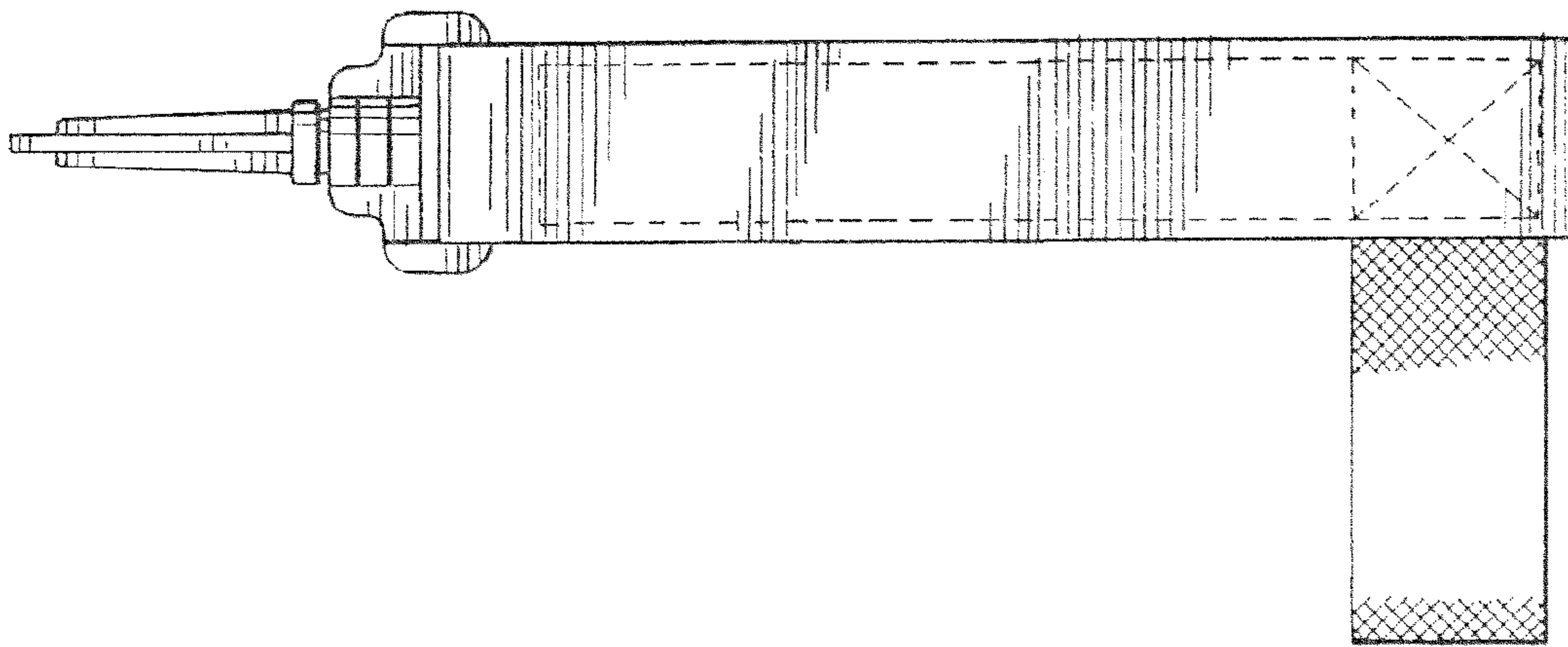


FIG. 11

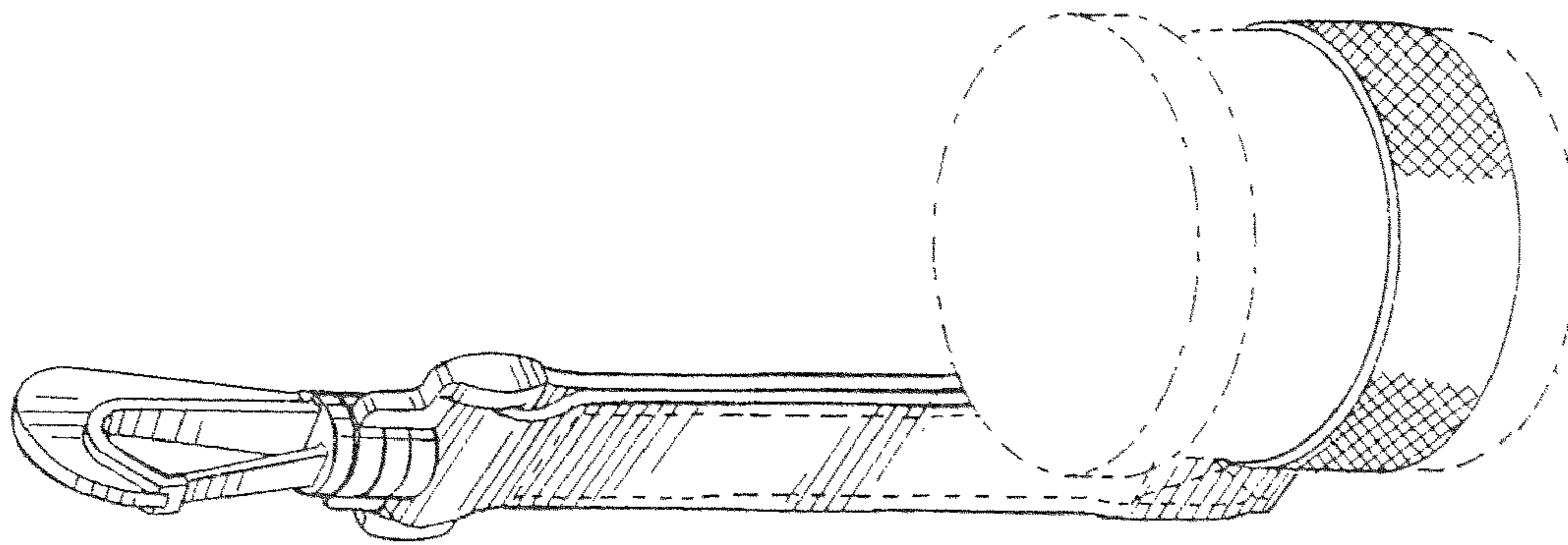


FIG. 14