

US00D584024S

(12) **United States Design Patent**
Stark

(10) **Patent No.:** **US D584,024 S**

(45) **Date of Patent:** **** Dec. 30, 2008**

(54) **SURFACE CONFIGURATION OF A
FORKLIFT, TOY, AND/OR OTHER REPLICAS**

(75) Inventor: **Stefan Stark**, Ludwigsburg (DE)

(73) Assignee: **Dr. Ing. h.c.F. Porsche
Aktiengesellschaft**, Stuttgart (DE)

(**) Term: **14 Years**

(21) Appl. No.: **29/262,037**

(22) Filed: **Jun. 26, 2006**

(30) **Foreign Application Priority Data**

Dec. 26, 2005 (EM) 000453865-0001

(51) **LOC (8) Cl.** **12-05**

(52) **U.S. Cl.** **D34/34**

(58) **Field of Classification Search** D34/34;
187/222, 237, 238; 414/631; 180/89.12,
180/89.13, 89.17

See application file for complete search history.

(56) **References Cited**

U.S. PATENT DOCUMENTS

D271,151 S *	10/1983	Kirby et al.	D34/35
D327,356 S *	6/1992	Laatsch	D34/34
5,184,699 A *	2/1993	Aoki et al.	187/224
D346,259 S *	4/1994	Laatsch	D34/34
D353,931 S *	12/1994	Kobayakawa et al.	D34/34
D354,604 S *	1/1995	Soederberg	D34/34
5,524,721 A *	6/1996	Yamauchi	180/69.2
5,560,451 A *	10/1996	Hincks	187/237
D386,877 S *	11/1997	Russey et al.	D34/34
D393,134 S *	3/1998	Mariano	D34/34
D393,516 S *	4/1998	Hahn et al.	D34/34
D396,928 S *	8/1998	Hahn et al.	D34/34
5,881,842 A *	3/1999	Kikukawa	187/222
D411,681 S *	6/1999	Murakami et al.	D34/34

D412,385 S *	7/1999	Murakami et al.	D34/34
D427,409 S *	6/2000	Sato et al.	D34/34
D448,136 S *	9/2001	Yurushi et al.	D34/34
D452,598 S *	12/2001	Sato	D34/34
D466,268 S *	11/2002	Kraimer et al.	D34/34
D466,669 S *	12/2002	Kraimer et al.	D34/34
D468,885 S *	1/2003	Salin et al.	D34/34
D469,236 S *	1/2003	Mitsuyoshi et al.	D34/34
D470,990 S *	2/2003	Han et al.	D34/34
D471,339 S *	3/2003	Mori	D34/34
D471,340 S *	3/2003	Shibata et al.	D34/34
D492,831 S *	7/2004	Kouyama	D34/34
D518,268 S *	3/2006	Stark	D34/34
D526,460 S *	8/2006	Goto et al.	D34/34
D536,504 S *	2/2007	Righi	D34/34
D538,004 S *	3/2007	Kouyama et al.	D34/34
D542,004 S *	5/2007	Righi	D34/34
D542,503 S *	5/2007	Righi	D34/34

* cited by examiner

Primary Examiner—Cynthia E Ramirez

(74) *Attorney, Agent, or Firm*—Crowell & Moring LLP

(57) **CLAIM**

The ornamental design for a surface configuration of a forklift, toy, and/or other replicas, as shown and described.

DESCRIPTION

FIG. 1 is a right side view of a surface configuration of a forklift, toy, and/or other replicas according to my novel design;

FIG. 2 is a left side view thereof;

FIG. 3 is a rear view thereof;

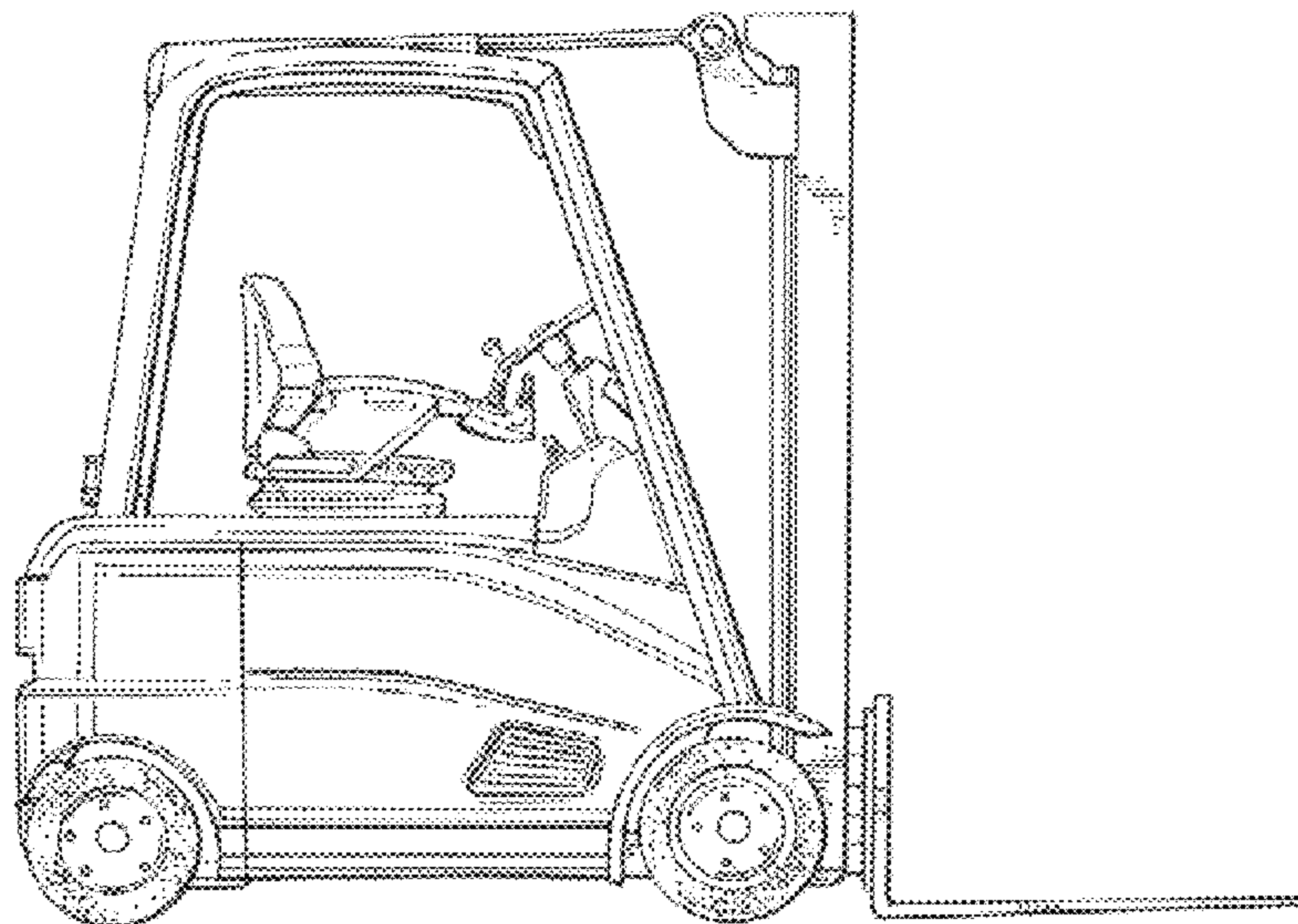
FIG. 4 is a front view thereof;

FIG. 5 is a top view thereof;

FIG. 6 is a right, rear perspective view thereof; and,

FIG. 7 is a left, front perspective view thereof

1 Claim, 4 Drawing Sheets



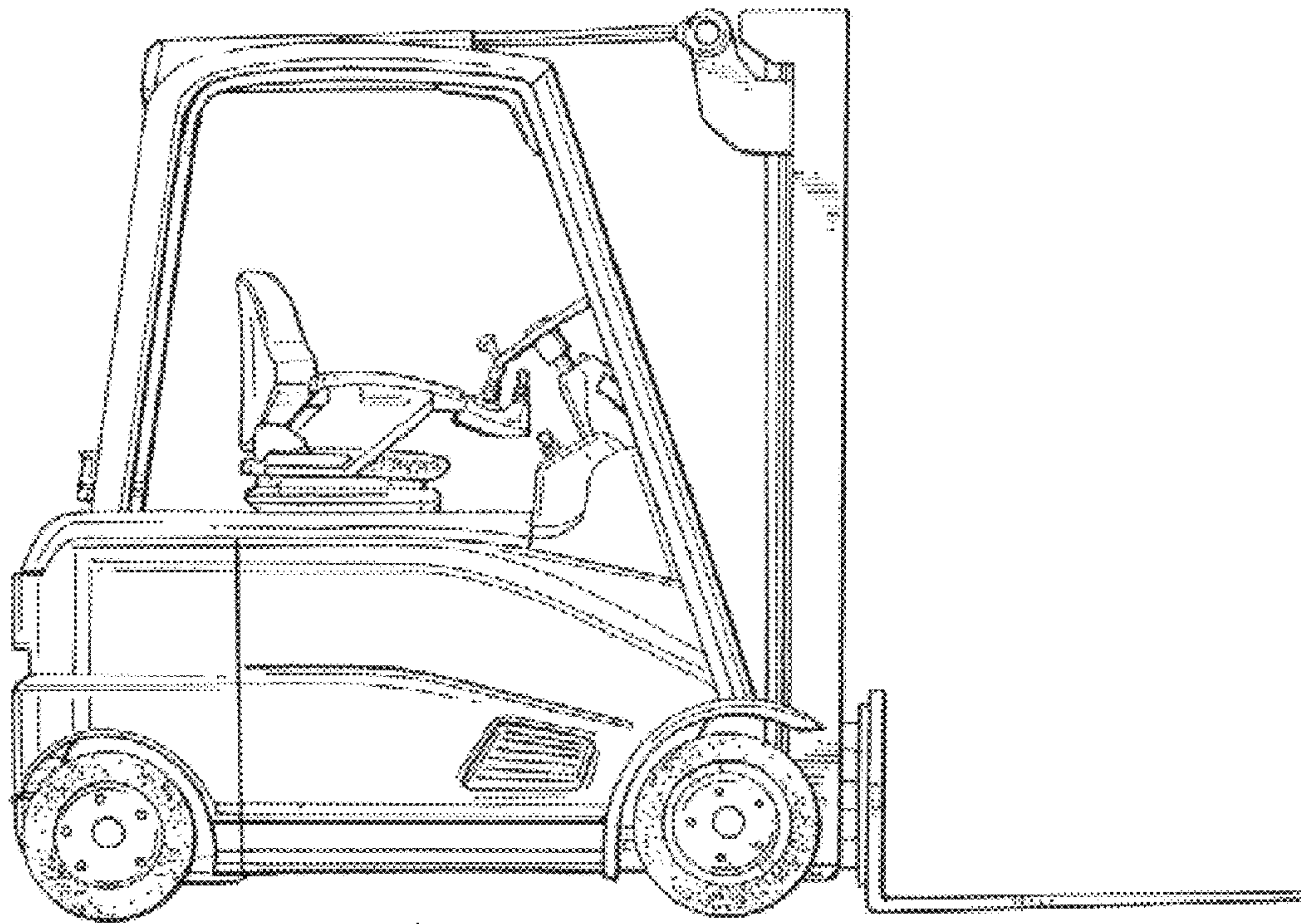


FIG. 1

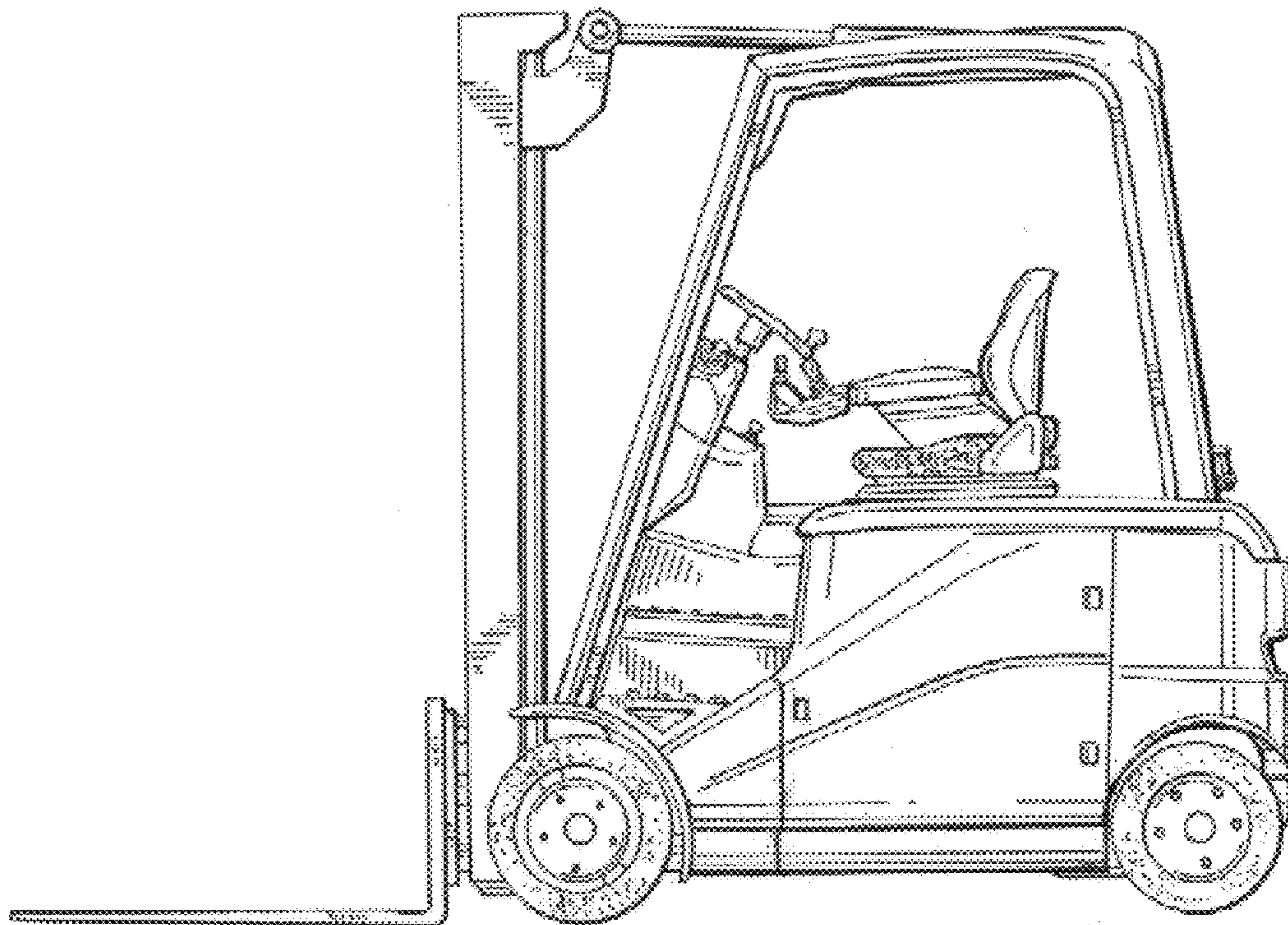


FIG. 2

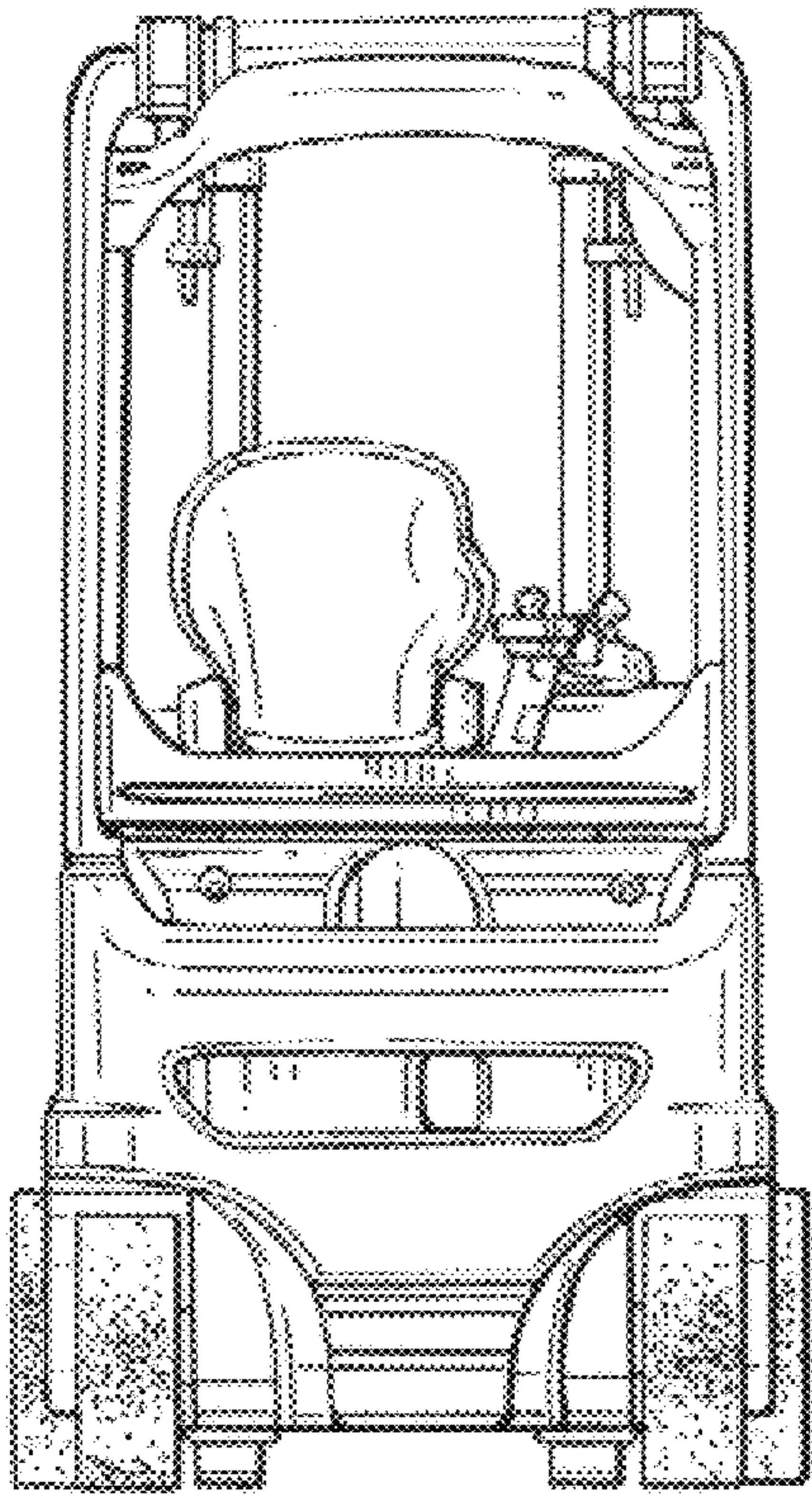


FIG. 3

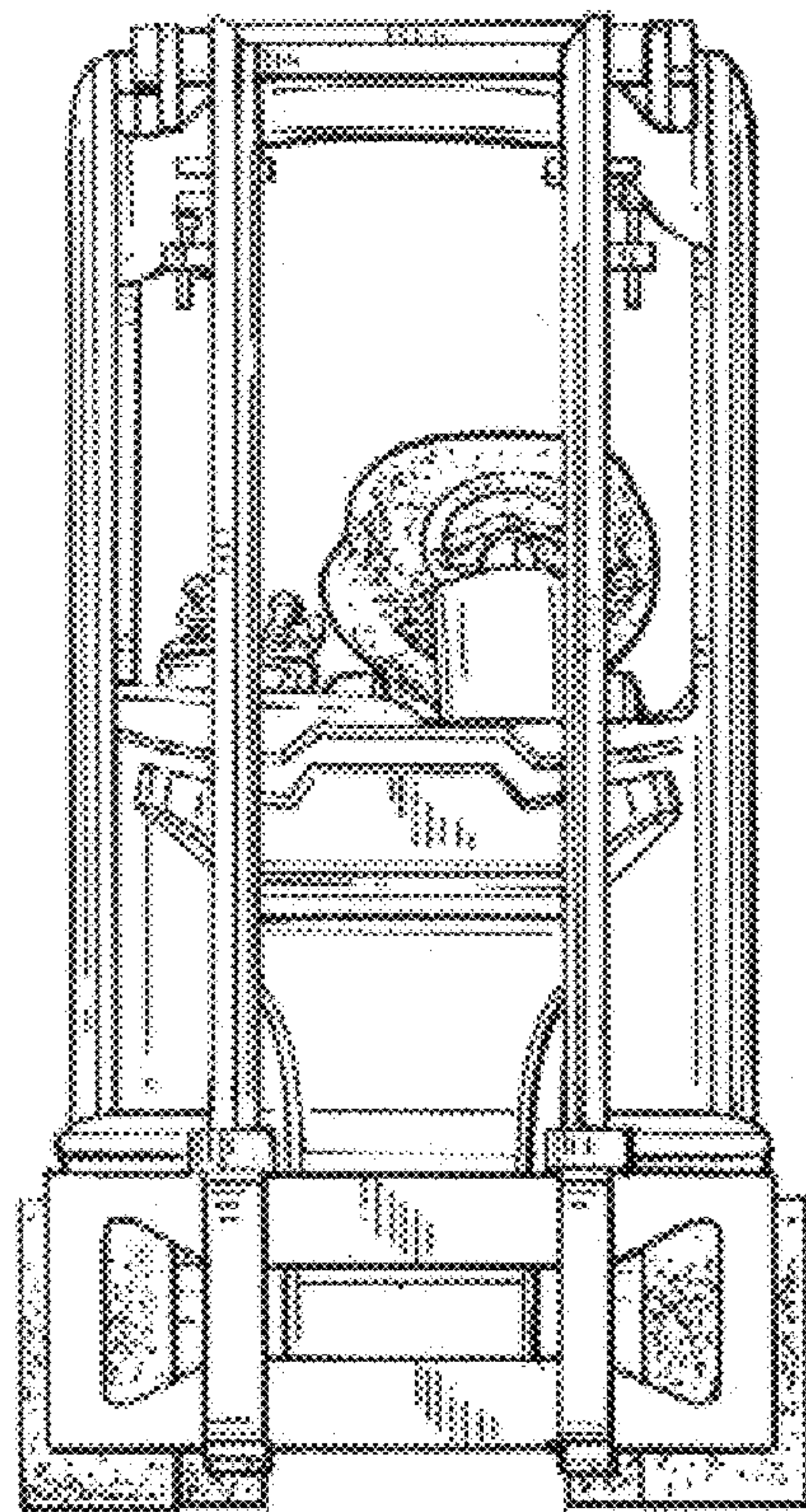


FIG. 4

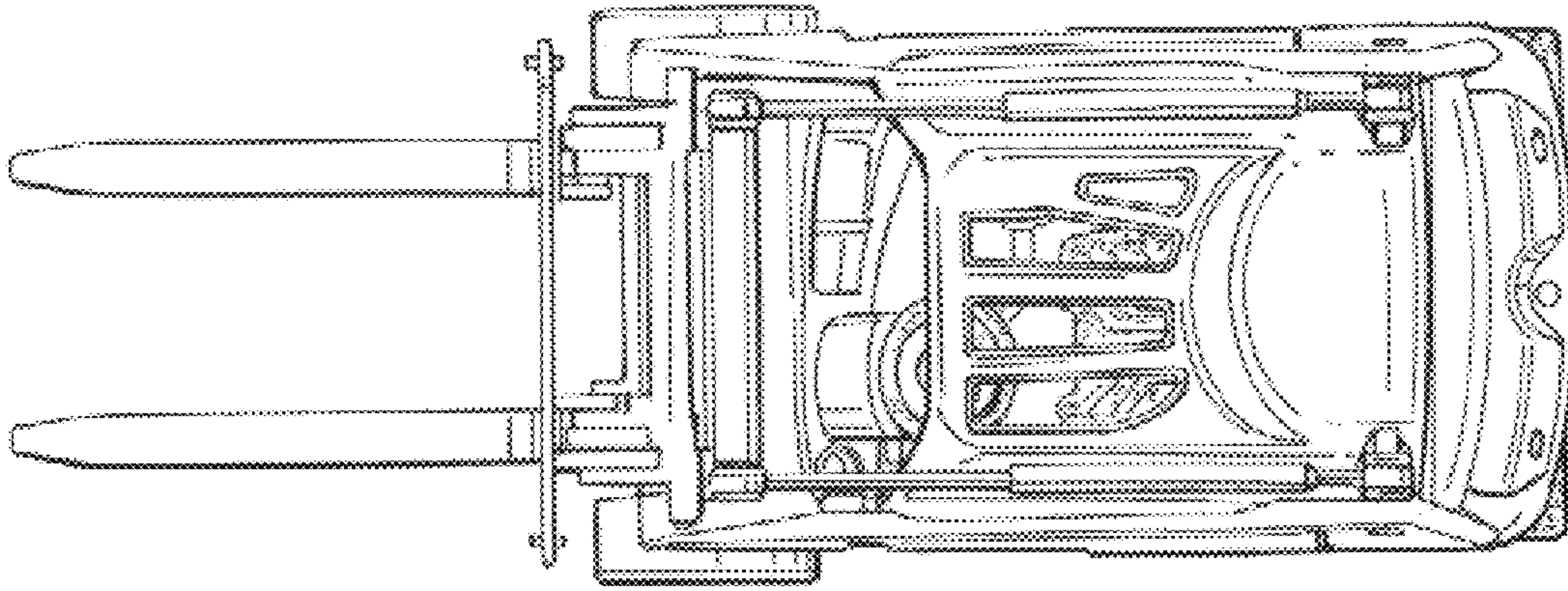


FIG. 5

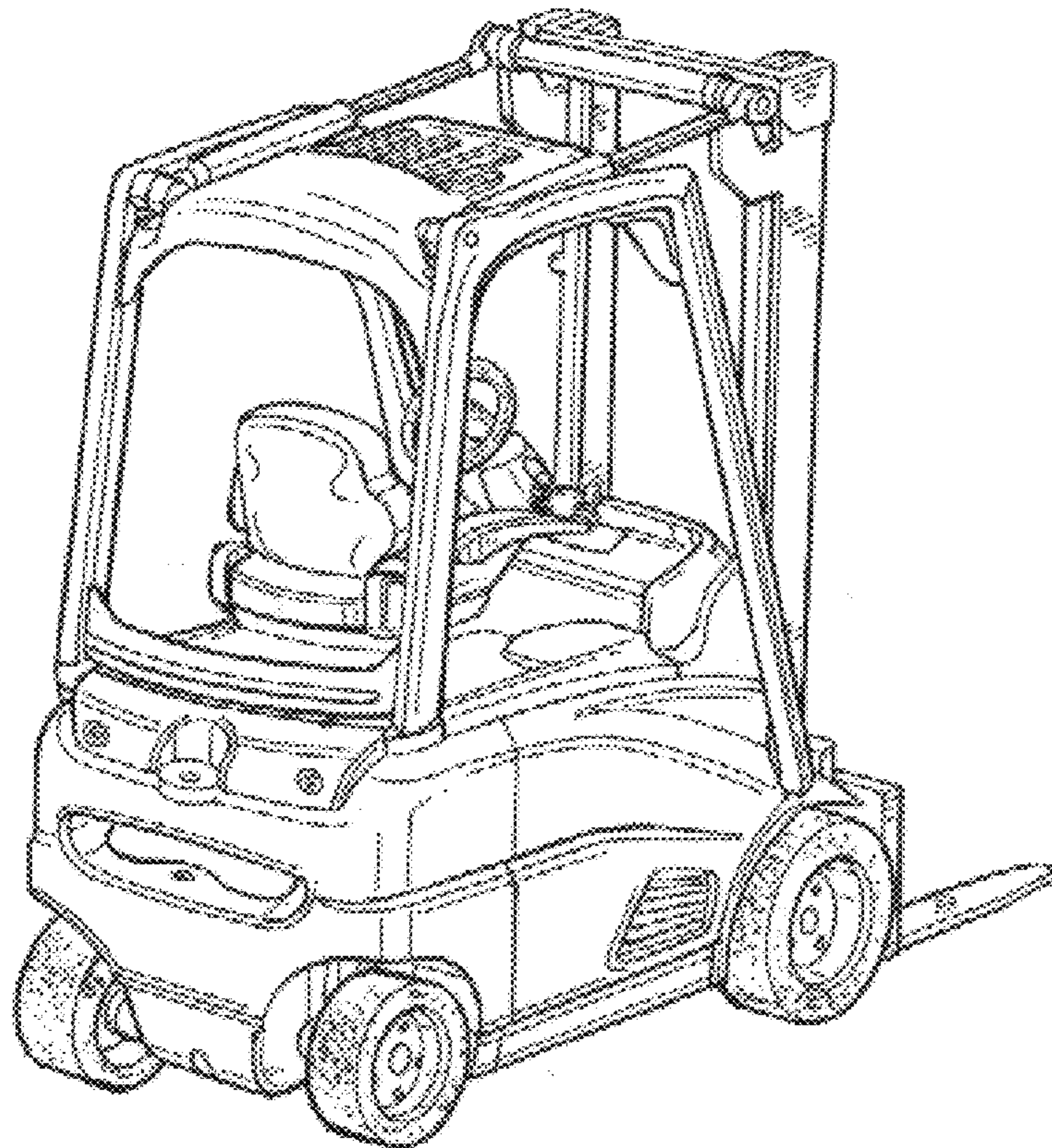


FIG. 6

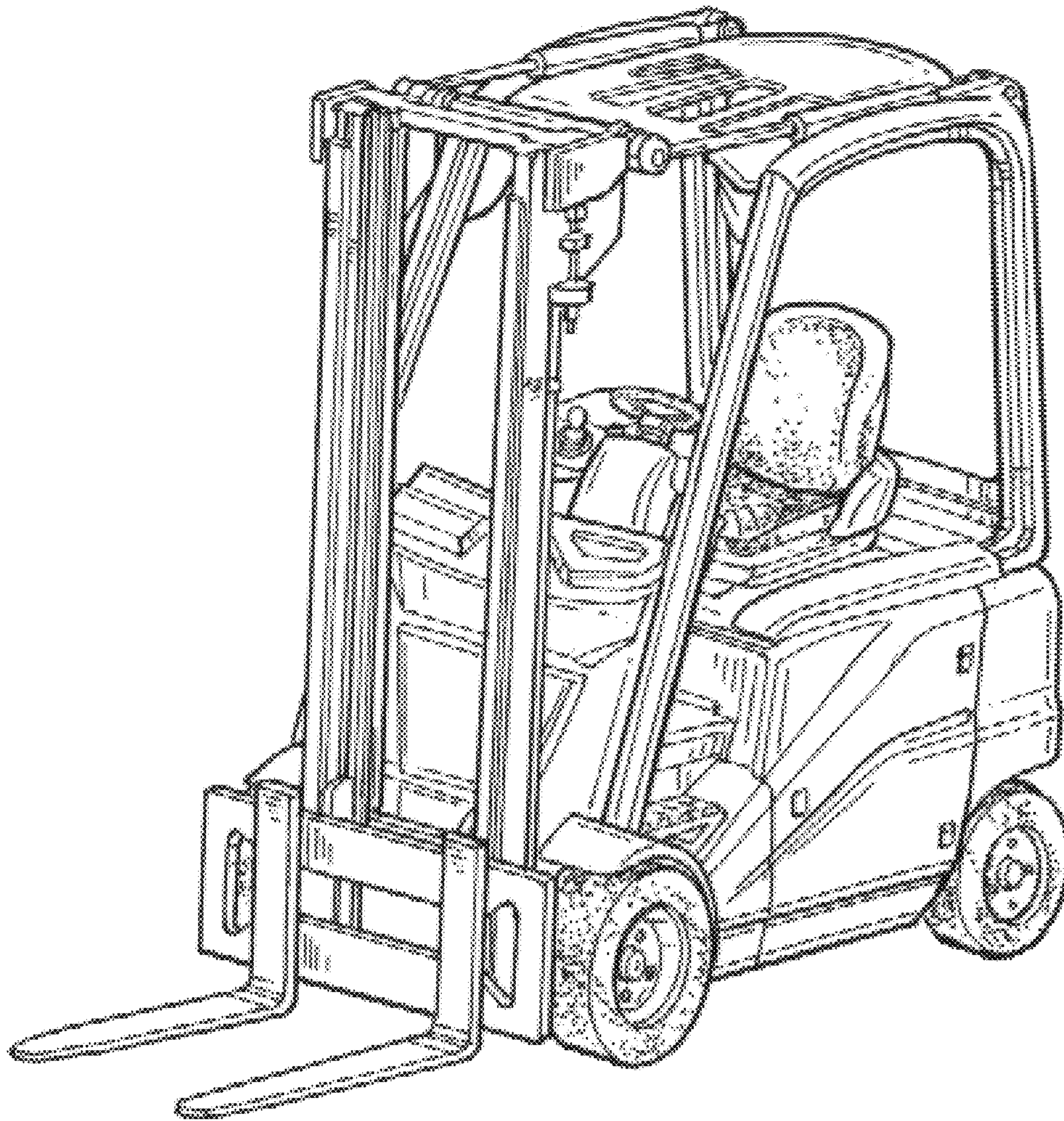


FIG. 7