



US00D584023S

(12) **United States Design Patent**  
**Walter**

(10) **Patent No.:** **US D584,023 S**  
(45) **Date of Patent:** **\*\* Dec. 30, 2008**

(54) **CART**  
(75) Inventor: **Ivor Michel Walter**, Boulder, CO (US)  
(73) Assignee: **AMSA, Inc.**, Boulder, CO (US)  
(\*\*) Term: **14 Years**

D542,997 S 5/2007 Coderre  
D548,421 S 8/2007 Walter  
D566,372 S \* 4/2008 Walter ..... D34/19  
2001/0022436 A1 9/2001 Simard  
2003/0151219 A1\* 8/2003 Simard ..... 280/47.35

(21) Appl. No.: **29/296,079**  
(22) Filed: **Oct. 12, 2007**

**OTHER PUBLICATIONS**

Technibilt Carts, Scan of website showing prior art carts manufactured by Technibill.  
U.S. Appl. No. 29/275,141, filed Dec. 14, 2006; Inventor: Ivor Michel Walter.  
U.S. Appl. No. 29/275,292, filed Dec. 20, 2006; Inventor: Ivor Michel Walter.  
U.S. Appl. No. 29/296,071, filed Oct. 12, 2007; Inventor: Ivor Michel Walter.

(51) **LOC (8) Cl.** ..... **12-02**  
(52) **U.S. Cl.** ..... **D34/12**  
(58) **Field of Classification Search** ..... D34/12-27;  
280/33.996, 33.991, 33.992, 33.995, 33.997  
See application file for complete search history.

\* cited by examiner

*Primary Examiner*—Cynthia E Ramirez  
(74) *Attorney, Agent, or Firm*—Margaret Polson; Patent law Offices of Rick Martin, P.C.

(56) **References Cited**

**U.S. PATENT DOCUMENTS**

3,039,564 A \* 6/1962 Shaukis ..... 186/63  
3,337,227 A 8/1967 Castaldo  
3,429,403 A \* 2/1969 Zandell et al. .... 186/63  
3,645,554 A 2/1972 Von Stein et al.  
D280,858 S \* 10/1985 Muellner et al. .... D34/18  
4,826,186 A \* 5/1989 Hagelin ..... 280/33.994  
4,850,604 A \* 7/1989 Le Marchand et al. . 280/33.996  
D348,549 S 7/1994 Trubiano  
5,435,582 A \* 7/1995 Davidson ..... 280/33.992  
D365,904 S \* 1/1996 Adamson et al. .... D34/17  
D367,348 S \* 2/1996 Basharat ..... D34/18  
5,507,507 A \* 4/1996 Davidson ..... 280/33.991  
D379,834 S 6/1997 Huang  
D431,704 S 10/2000 Perez  
D472,027 S 3/2003 Walter  
6,644,674 B2 \* 11/2003 Simard ..... 280/33.991  
D538,501 S 3/2007 Walter

(57) **CLAIM**

The ornamental design for a cart, as shown and described.

**DESCRIPTION**

FIG. 1 is a front perspective view of my new design for a cart.  
FIG. 2 is an elevational left side view; with the right side being a mirror image thereof;  
FIG. 3 is a front side elevation view of FIG. 1.  
FIG. 4 is a back side elevation view of FIG. 1  
FIG. 5 is a top plan view of FIG. 1; and,  
FIG. 6 is a bottom plan view of FIG. 1.

**1 Claim, 6 Drawing Sheets**





FIG.1

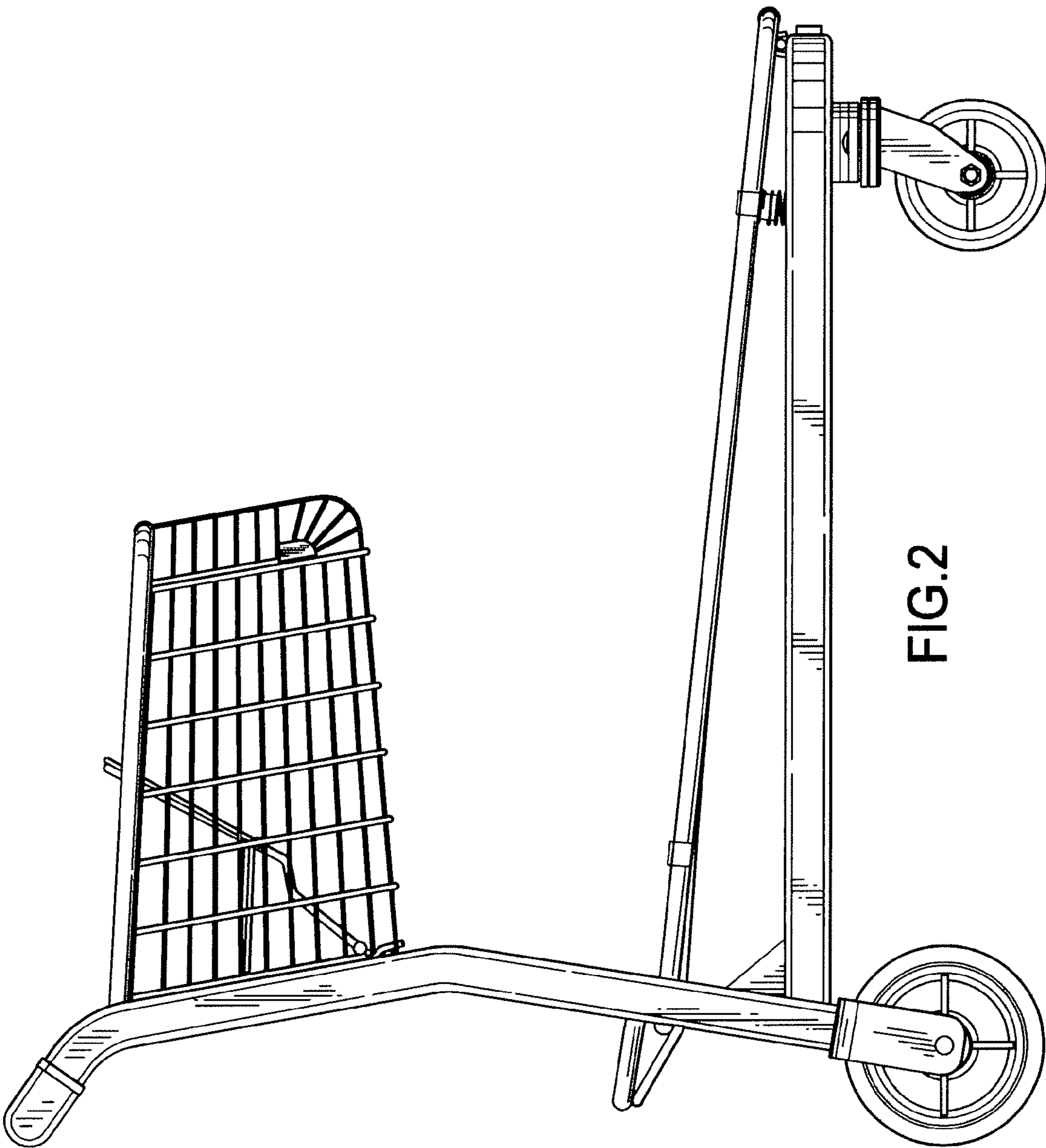


FIG. 2

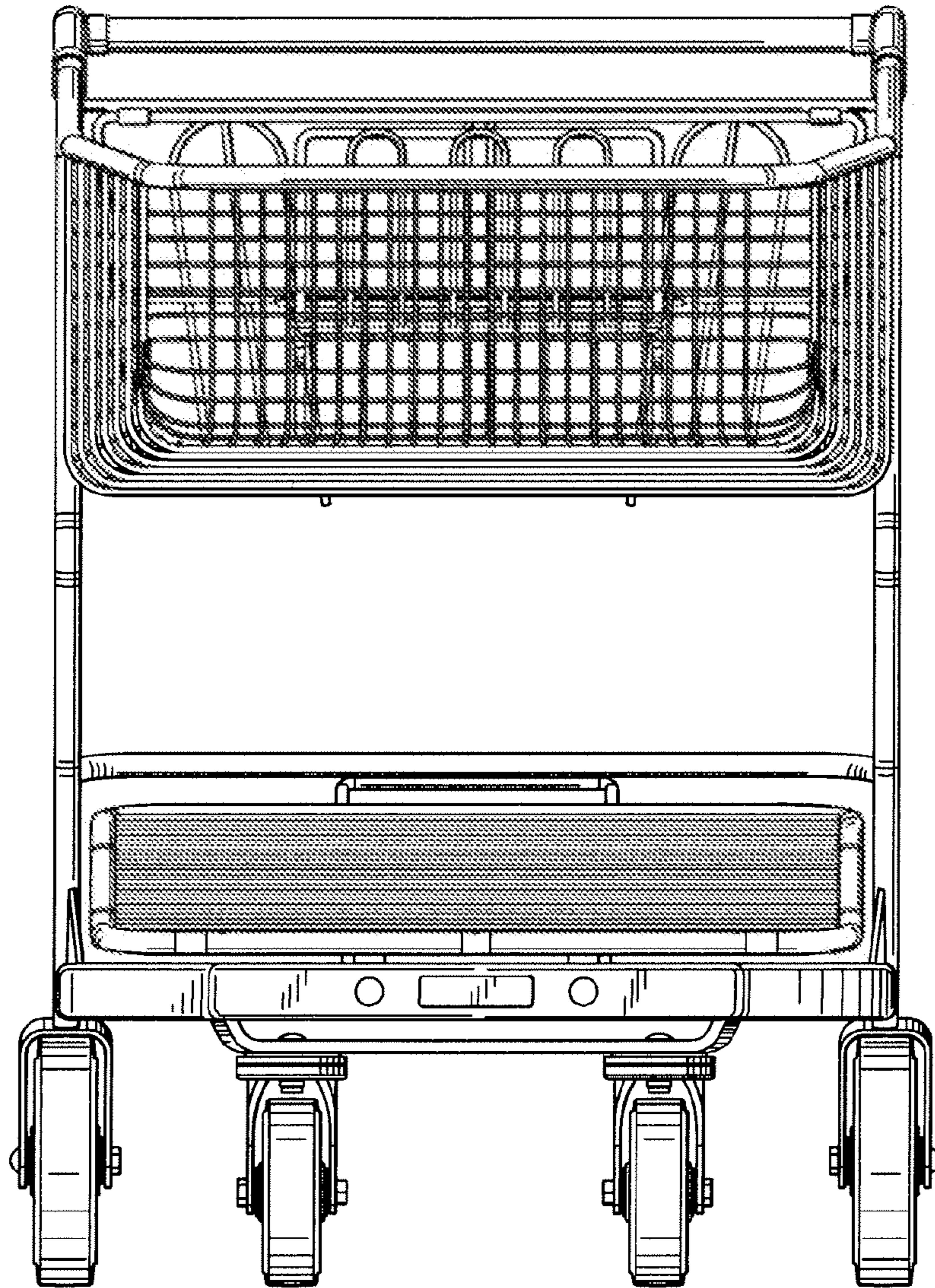


FIG.3

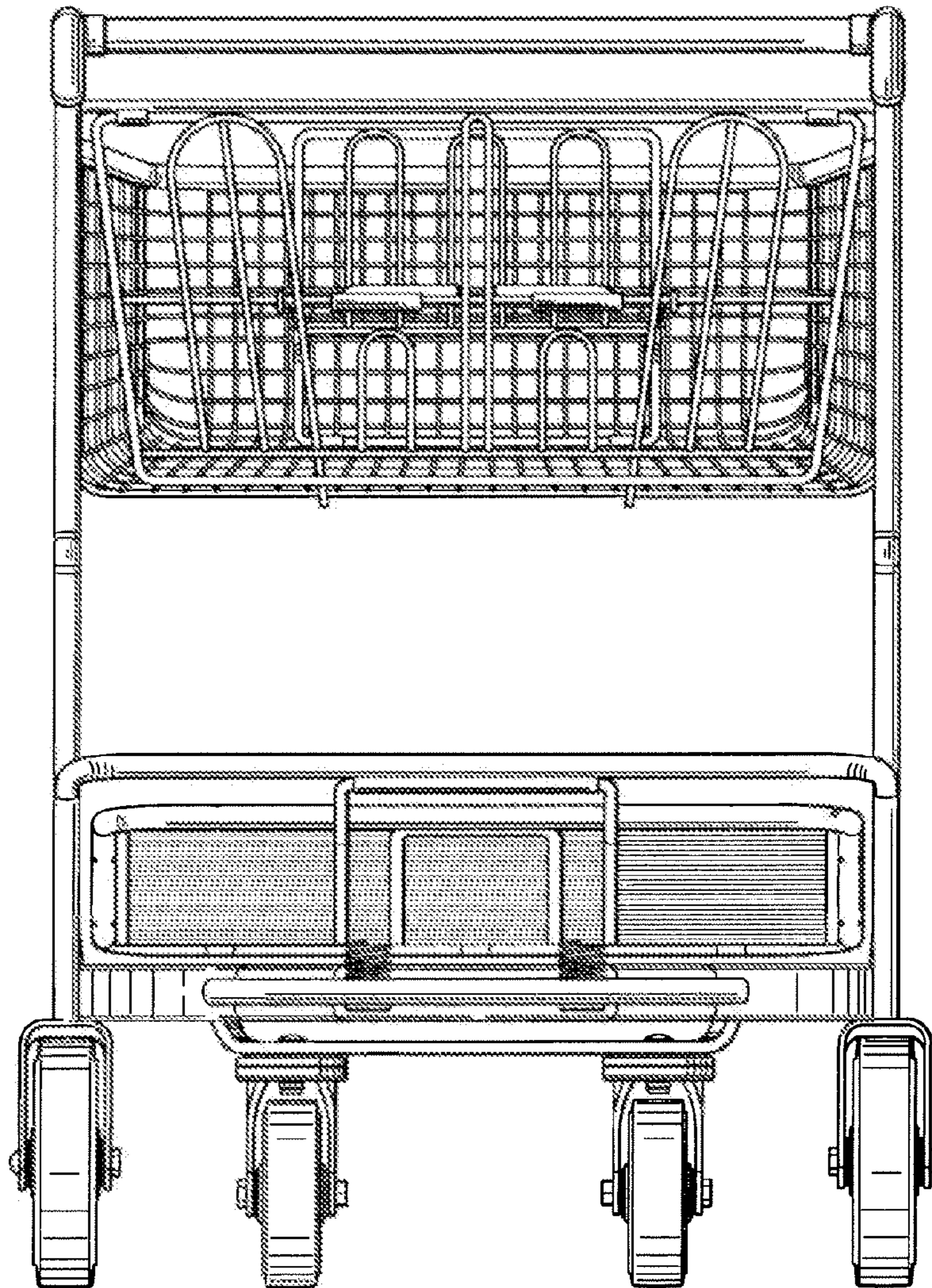


FIG.4

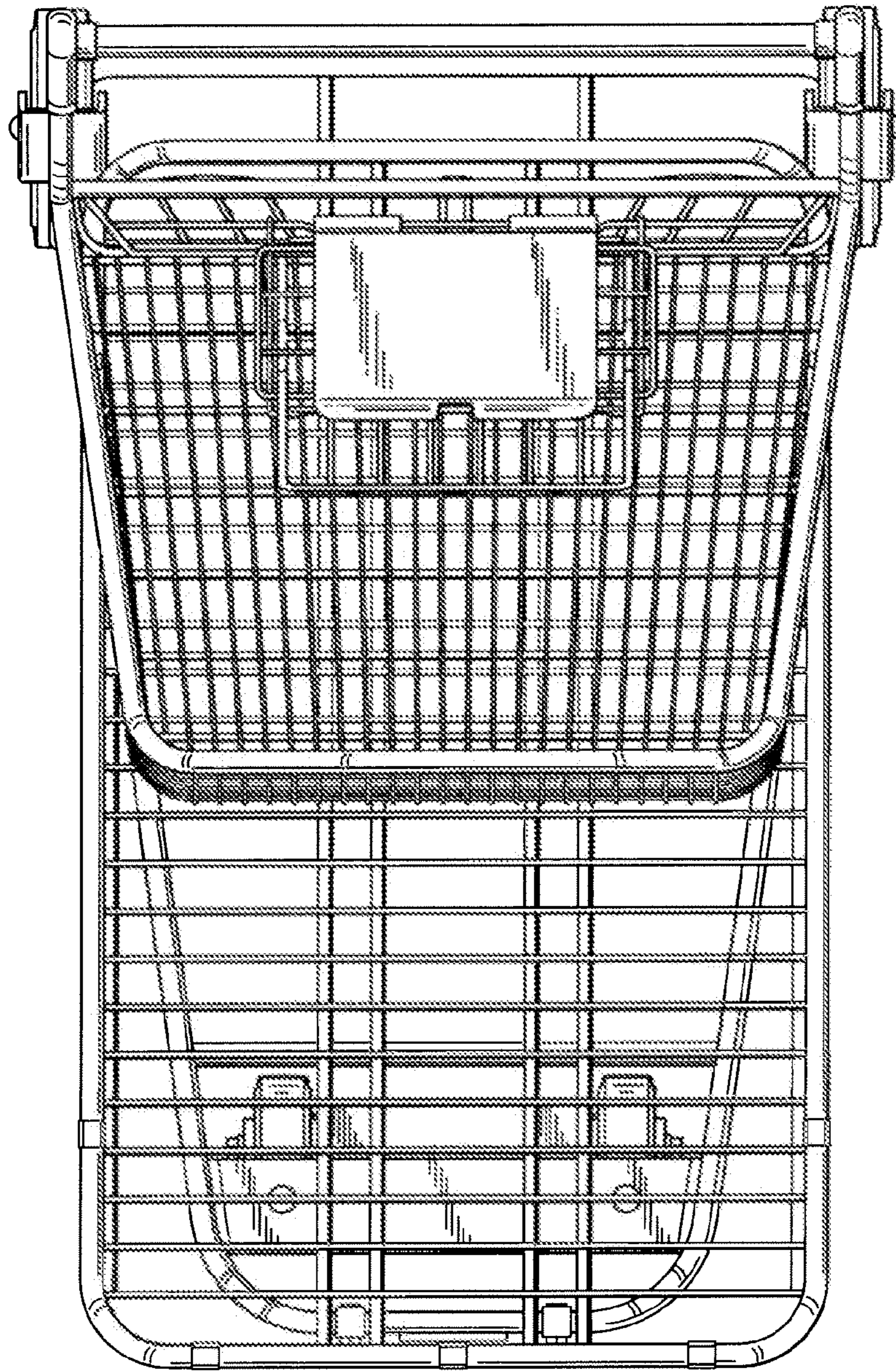


FIG.5

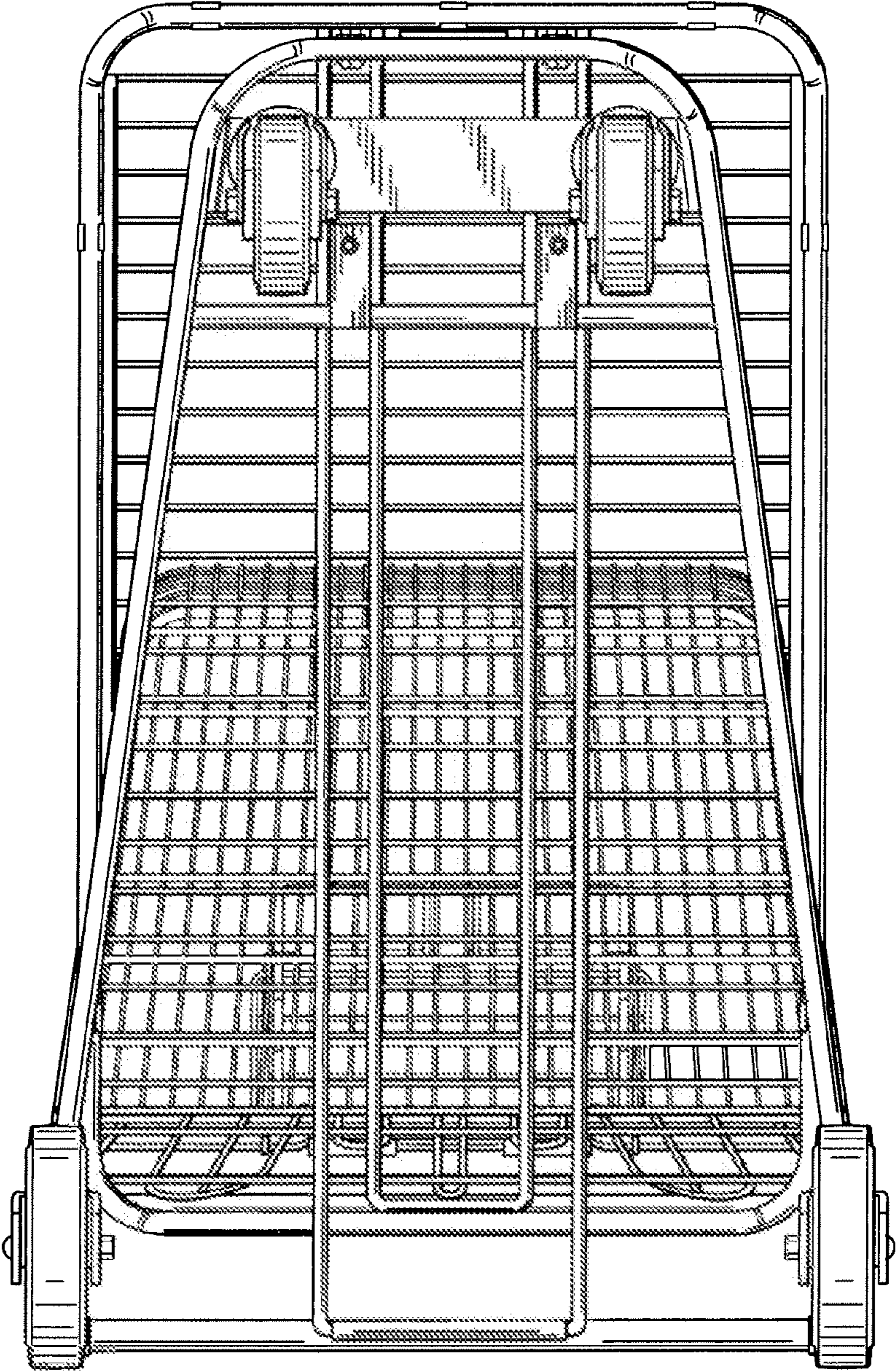


FIG.6