



US00D584021S

(12) **United States Design Patent**
Velez

(10) **Patent No.:** **US D584,021 S**

(45) **Date of Patent:** **** Dec. 30, 2008**

(54) **PAINT ROLLER SQUEEGEE**

(76) **Inventor:** **Norberto Velez**, 6 Boston Ave., North
Arlington, NJ (US) 07031

(**) **Term:** **14 Years**

(21) **Appl. No.:** **29/283,613**

(22) **Filed:** **Aug. 18, 2007**

(51) **LOC (8) Cl.** **08-99**

(52) **U.S. Cl.** **D32/41**

(58) **Field of Classification Search** D32/46,
D32/49, 35, 53-55, 41; D8/16-17, 43, 34,
D8/45, 52, 54; 15/235.7, 236.01-236.07,
15/121, 105; 30/169, 142, 164.9

See application file for complete search history.

(56) **References Cited**

U.S. PATENT DOCUMENTS

2,860,858	A *	11/1958	Kurs	366/129
D330,101	S *	10/1992	Weiss	D32/35
D345,638	S *	3/1994	Shames et al.	D32/41
D357,775	S *	4/1995	Panchuk	D32/35
D368,998	S *	4/1996	King	D32/46
5,546,625	A *	8/1996	Mealey, Sr.	15/106
D386,857	S *	11/1997	Lawrence	D32/46

D416,453	S *	11/1999	Egan	D8/45
D435,408	S *	12/2000	Panfili et al.	D8/16
D515,887	S *	2/2006	Denton	D8/16

* cited by examiner

Primary Examiner—Pamela J Burgess

(57) **CLAIM**

I claim, the ornamental design for the paint roller squeegee, as shown and described.

DESCRIPTION

FIG. 1 is a front elevational view of the paint roller squeegee showing my new design;

FIG. 2 is a left-side elevational view of the paint roller squeegee thereof;

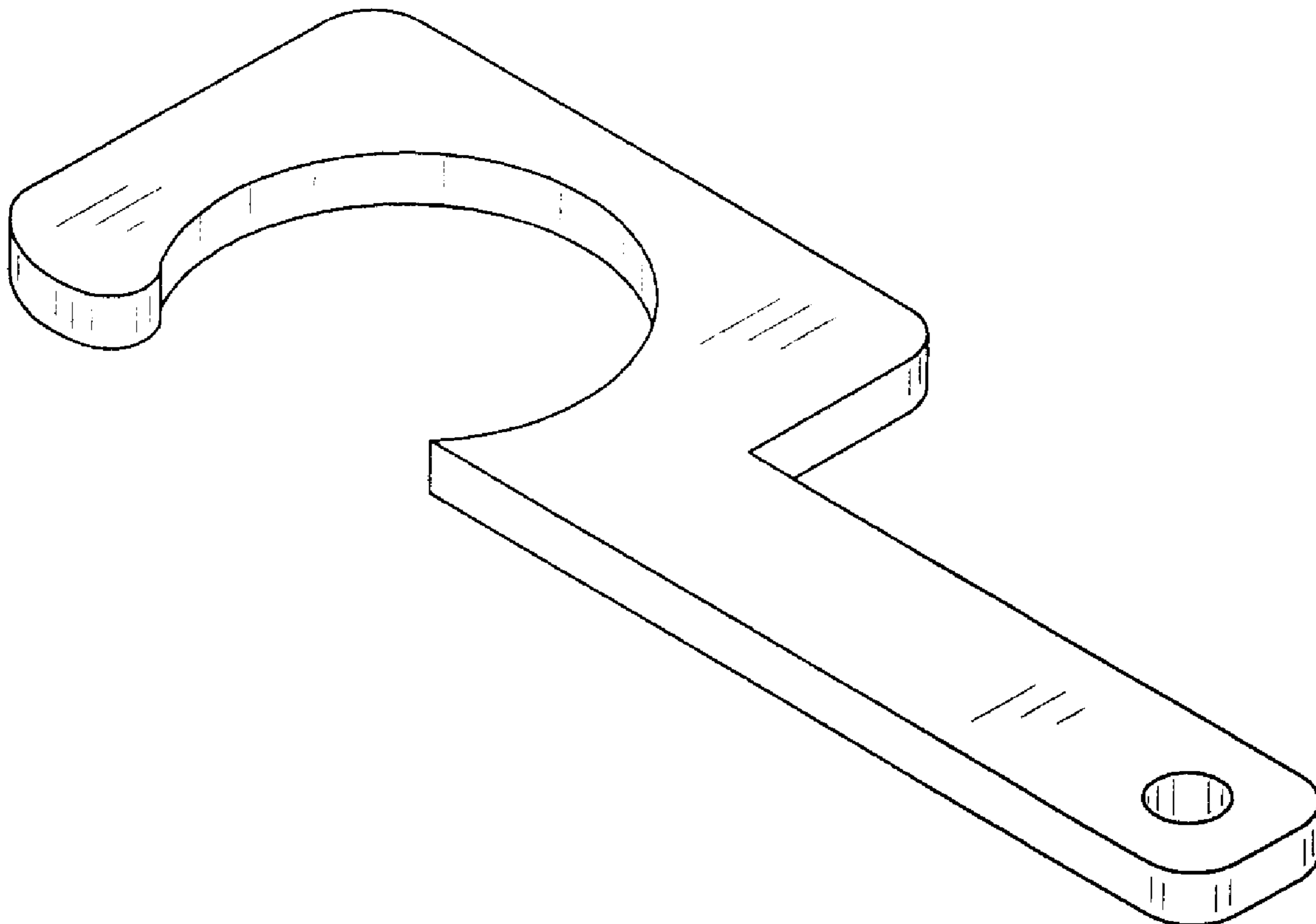
FIG. 3 is right side elevational view of the paint roller squeegee thereof;

FIG. 4 is a top plan view of the paint roller squeegee thereof;

FIG. 5 is a bottom plan view of the paint roller squeegee thereof; and,

FIG. 6 is a perspective view of the paint roller squeegee thereof.

1 Claim, 2 Drawing Sheets



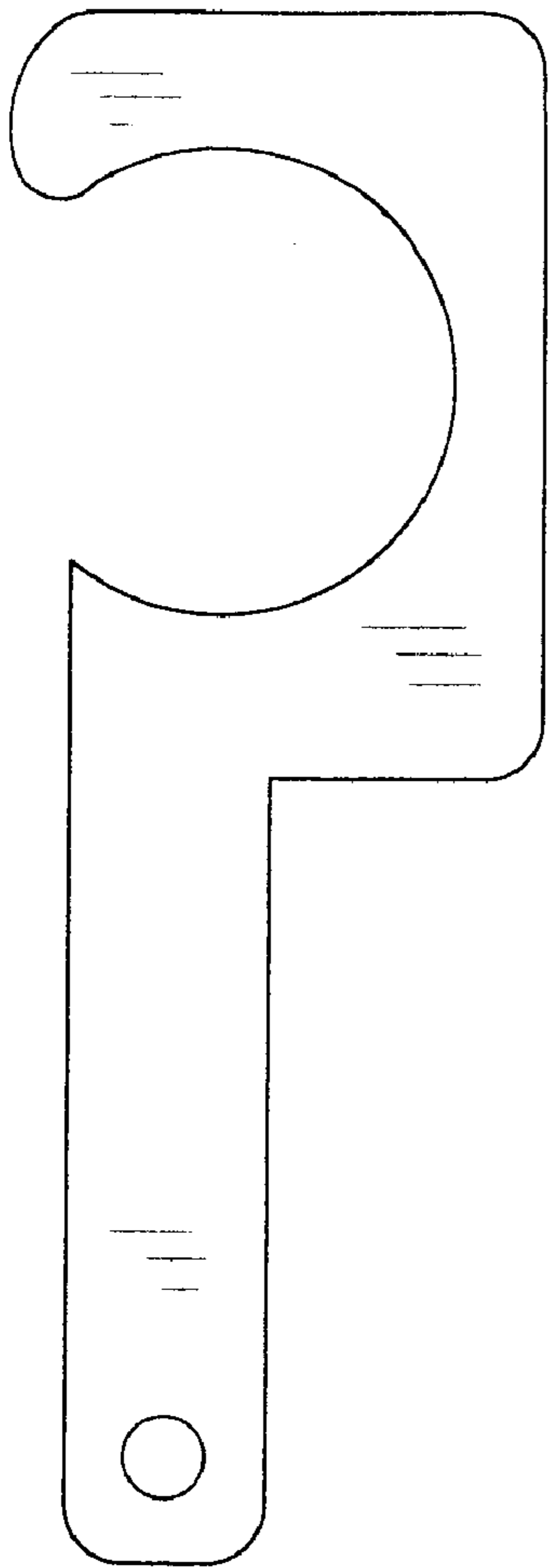


FIG. 1



FIG. 2

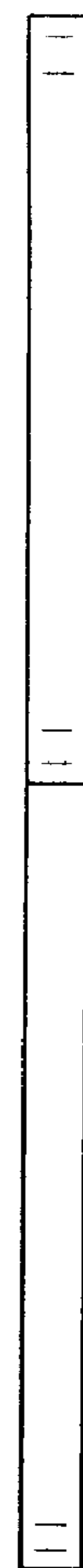


FIG. 3

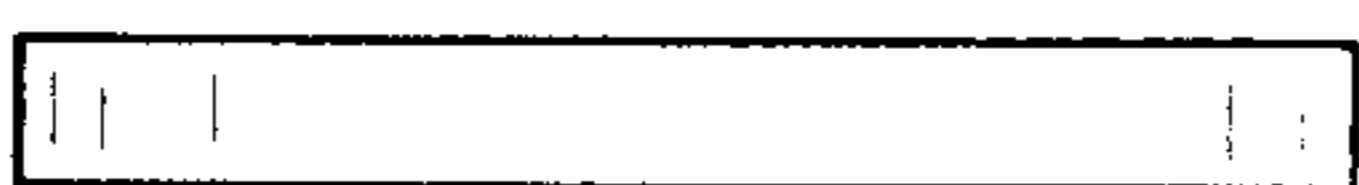


FIG. 4



FIG. 5

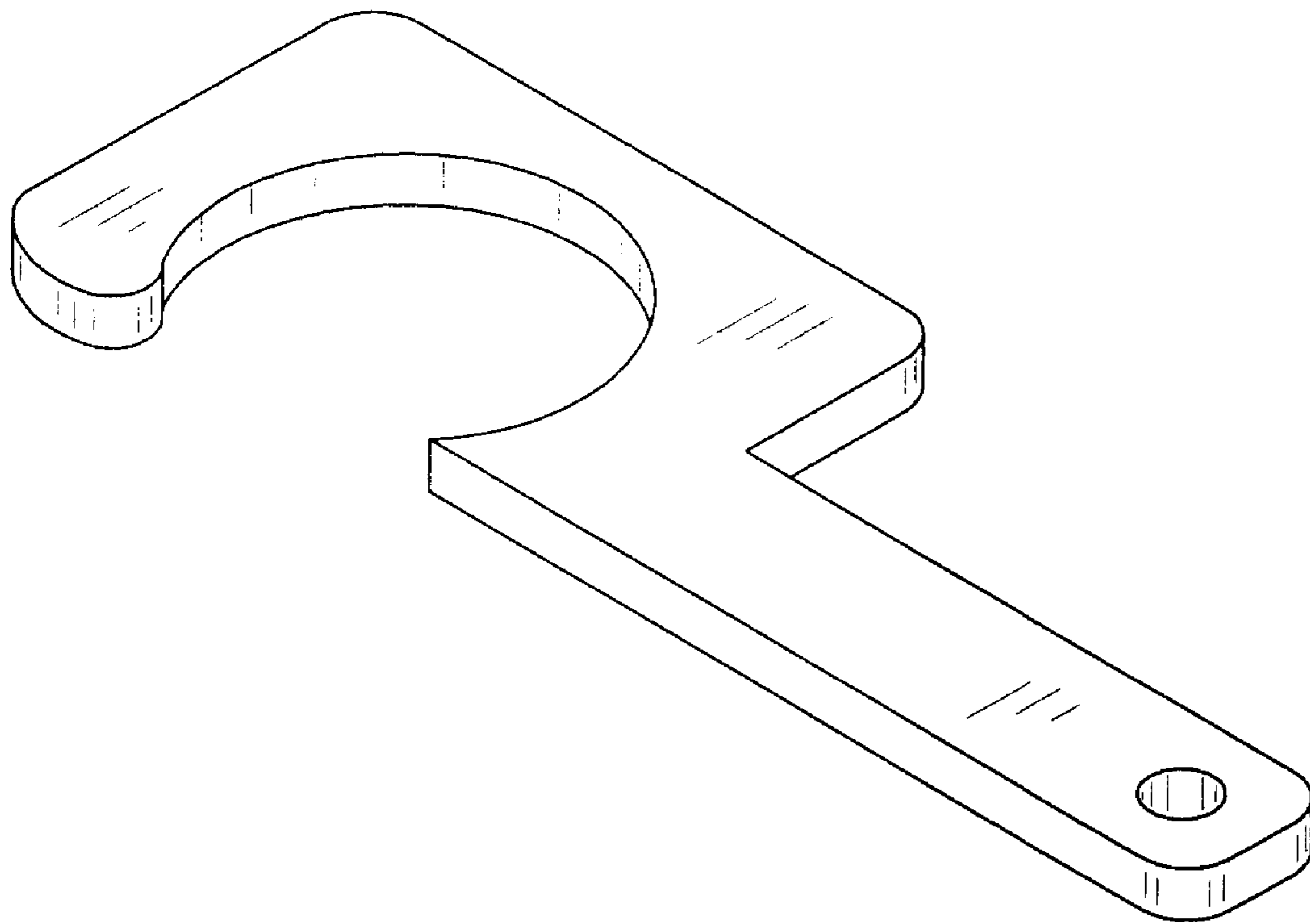


FIG. 6