

US00D584018S

(12) **United States Design Patent**
Dammkoehler et al.

(10) **Patent No.:** **US D584,018 S**
(45) **Date of Patent:** **** Dec. 30, 2008**

(54) **HANDLE FOR CLEANING APPARATUS**

(75) Inventors: **Denis Dammkoehler**, Backnang (DE);
Christian Rummel, Benningen a.N.
(DE)

(73) Assignee: **Alfred Kaercher GmbH & Co. KG**,
Winnenden (DE)

(**) Term: **14 Years**

(21) Appl. No.: **29/307,159**

(22) Filed: **Apr. 2, 2008**

Related U.S. Application Data

(62) Division of application No. 29/268,824, filed on Nov.
13, 2006, now Pat. No. Des. 570,560.

(30) **Foreign Application Priority Data**

May 18, 2006 (EM) 000531272

(51) **LOC (8) Cl.** **15-05**

(52) **U.S. Cl.** **D32/25**

(58) **Field of Classification Search** D32/1,
D32/15-25, 31, 33-34; D8/61-62, 67; D4/102;
15/49.1, 23, 28, 320-323, 331-332, 340,
15/344, 347, 353-354

See application file for complete search history.

(56) **References Cited**

U.S. PATENT DOCUMENTS

D183,050 S * 6/1958 Holt D32/15
D212,859 S 12/1968 Descaries et al.
D219,348 S 12/1970 Anderson
4,590,635 A * 5/1986 Tucker et al. 15/50.1
D297,778 S 9/1988 Lallerstedt
D341,913 S 11/1993 Swan

D344,163 S * 2/1994 Joines D32/19
D345,034 S * 3/1994 Fitzwater D32/21
D405,567 S * 2/1999 Kent et al. D32/22
5,890,258 A * 4/1999 Lee 15/320
D425,268 S 5/2000 Morokutti
D531,766 S * 11/2006 Ambasz et al. D32/15

OTHER PUBLICATIONS

Extract from catalog of Alfred Kaercher GmbH & Co. KG,
"Programme 2004" pp. 177, 179 (2004).

<http://www.rotowash.net/R3-R3A-R3SPOP.html> Jan. 4, 2008.

http://www.reinigungsforum.de/reviews/images/BR_Vario_400.jpg Jan. 7, 2008.

* cited by examiner

Primary Examiner—Louis S Zarfaz

Assistant Examiner—Kathleen M Sims

(74) *Attorney, Agent, or Firm*—Lipsitz & McAllister, LLC

(57) **CLAIM**

The ornamental design for a handle for cleaning apparatus, as shown and described.

DESCRIPTION

FIG. 1 is a front elevational view of the handle for cleaning apparatus showing our new design;

FIG. 2 is a top, front, left side perspective view thereof;

FIG. 3 is a right side elevational view thereof;

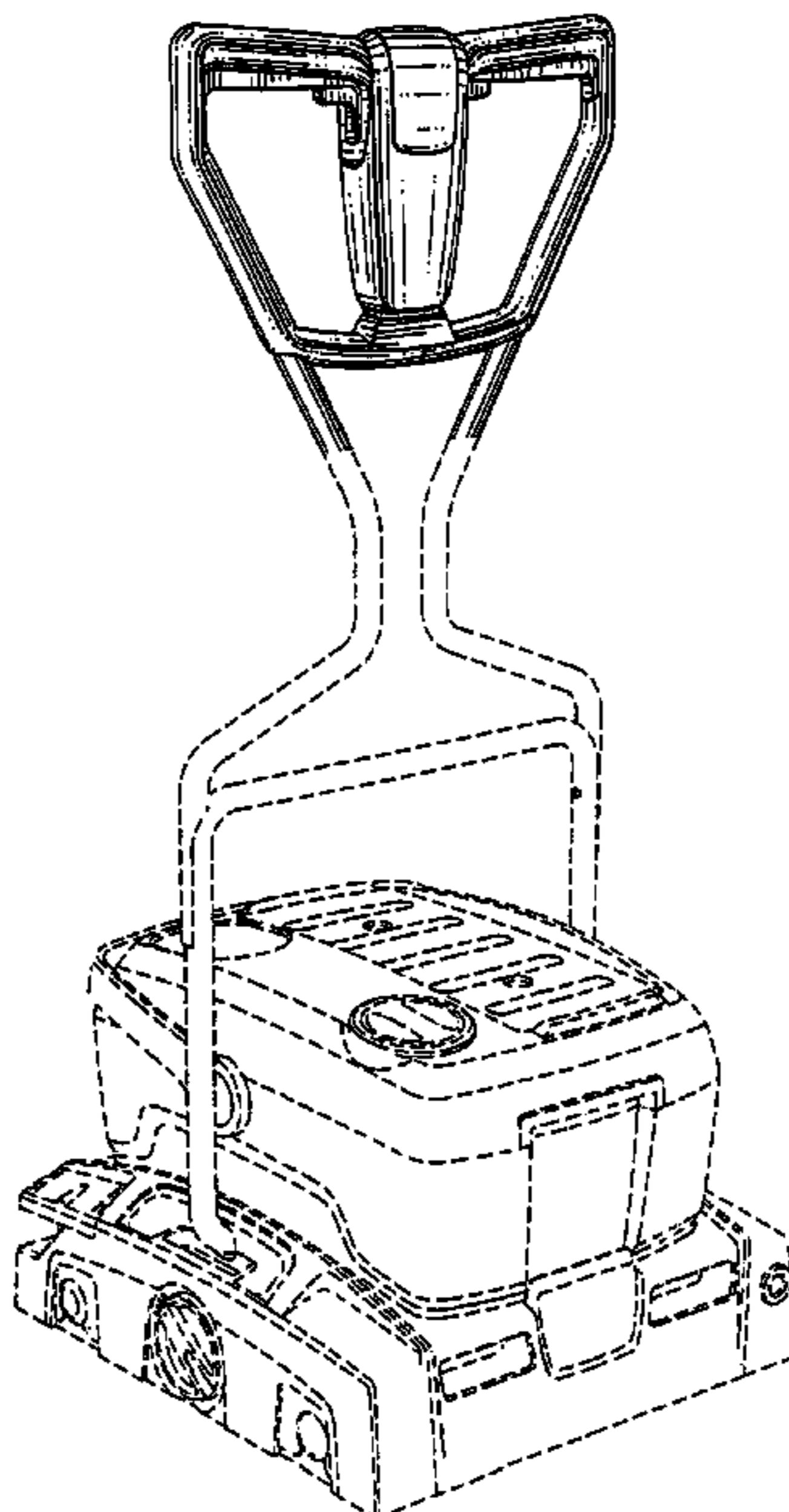
FIG. 4 is a rear elevational view thereof;

FIG. 5 is a top plan view thereof; and,

FIG. 6 is a top, front, right side perspective view thereof.

The broken line showing of a cleaning apparatus in FIGS. 1-6 is included for the purpose of the environment of the handle for cleaning apparatus and forms no part of the claimed design.

1 Claim, 6 Drawing Sheets



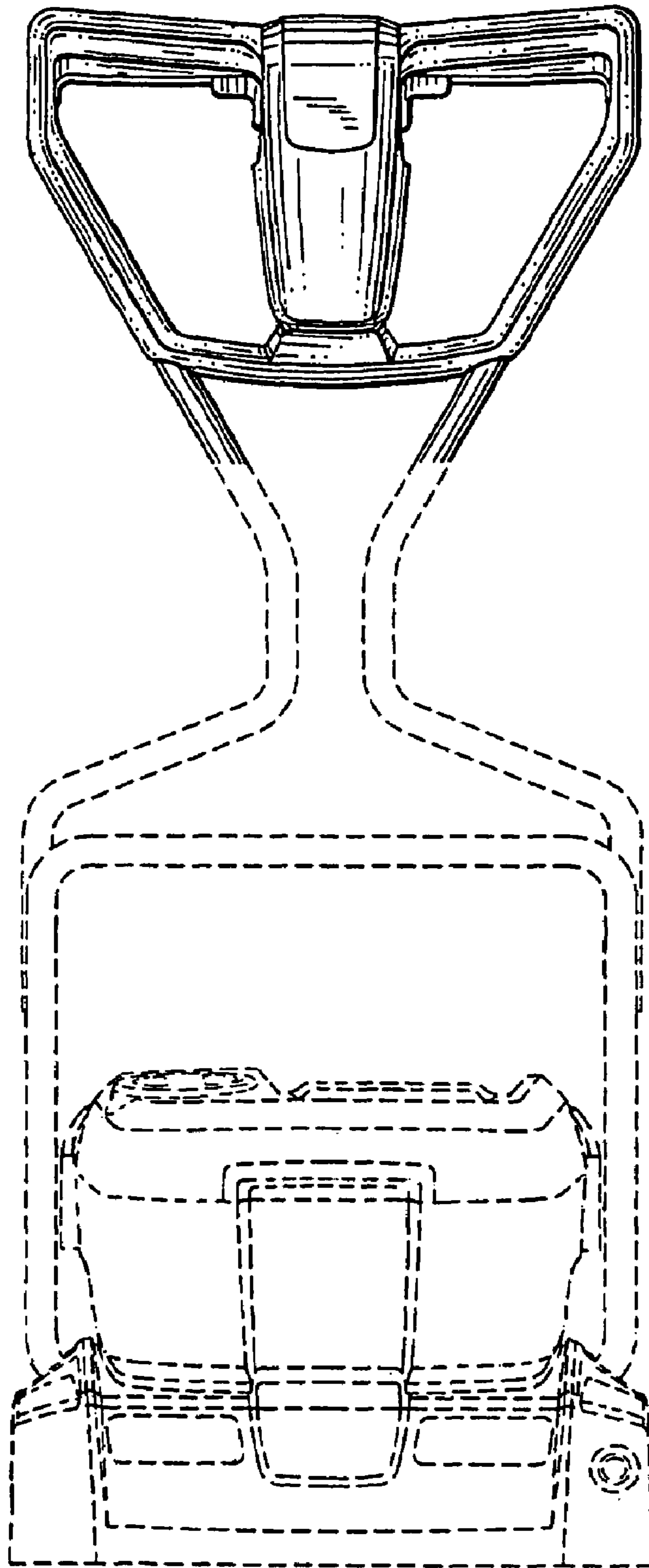


FIG. 1

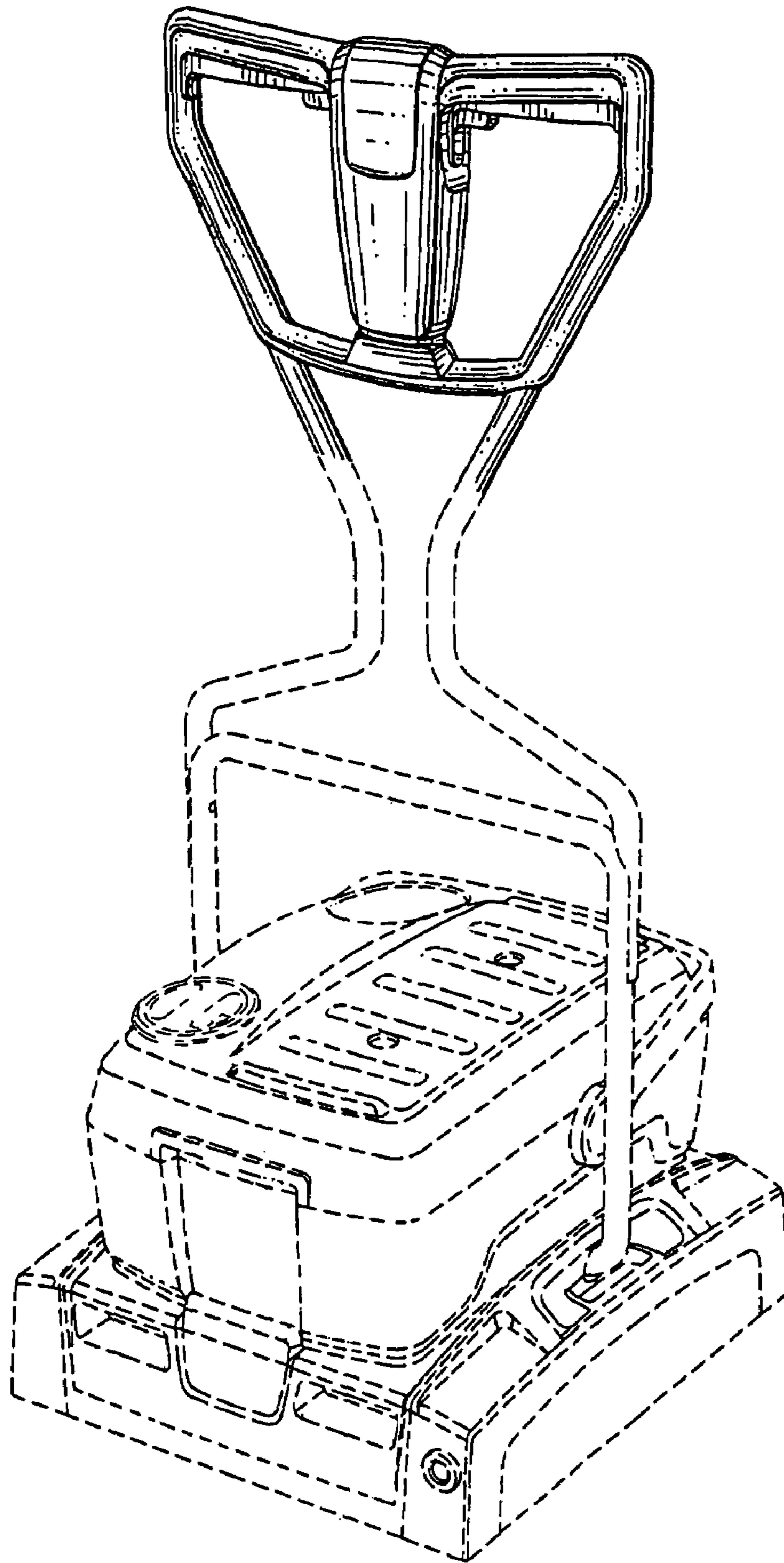


FIG.2

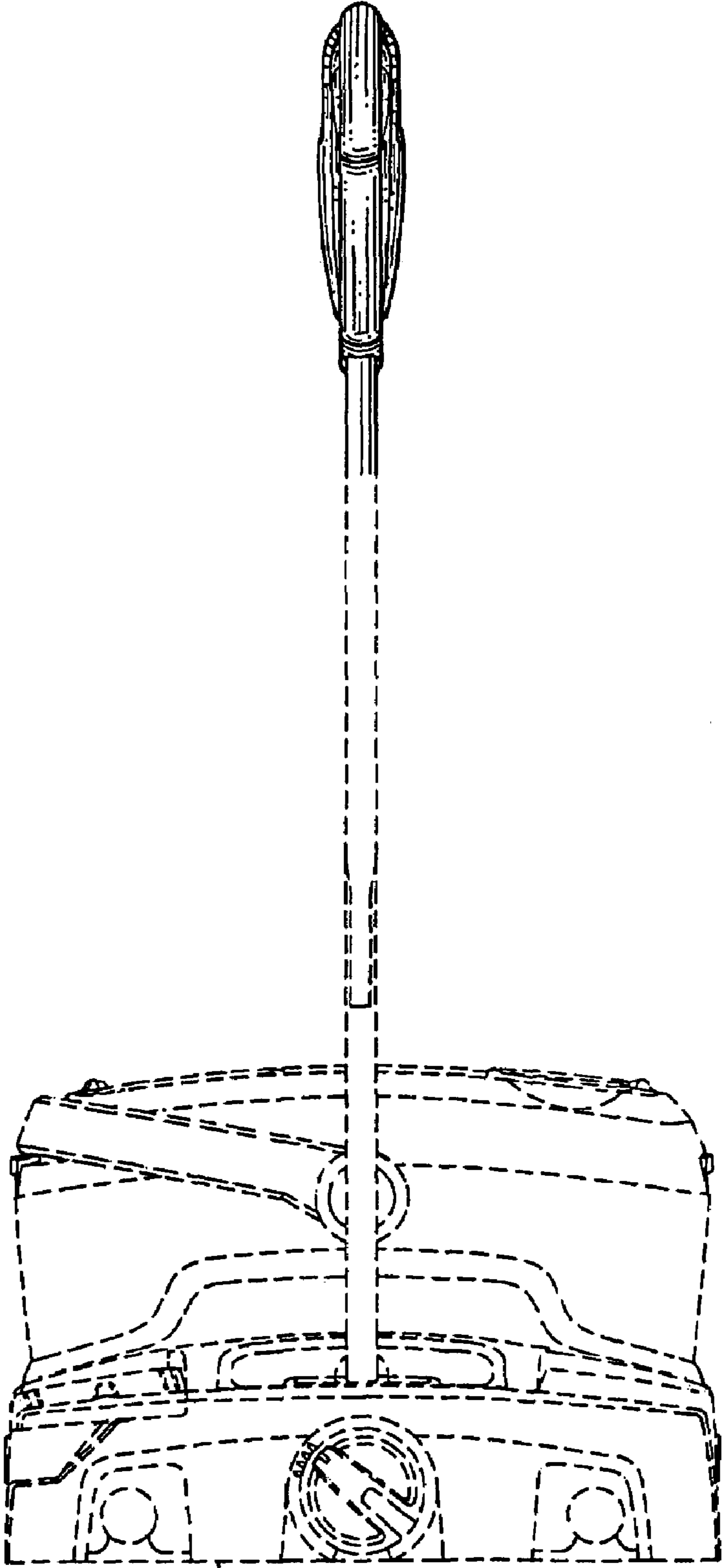


FIG.3

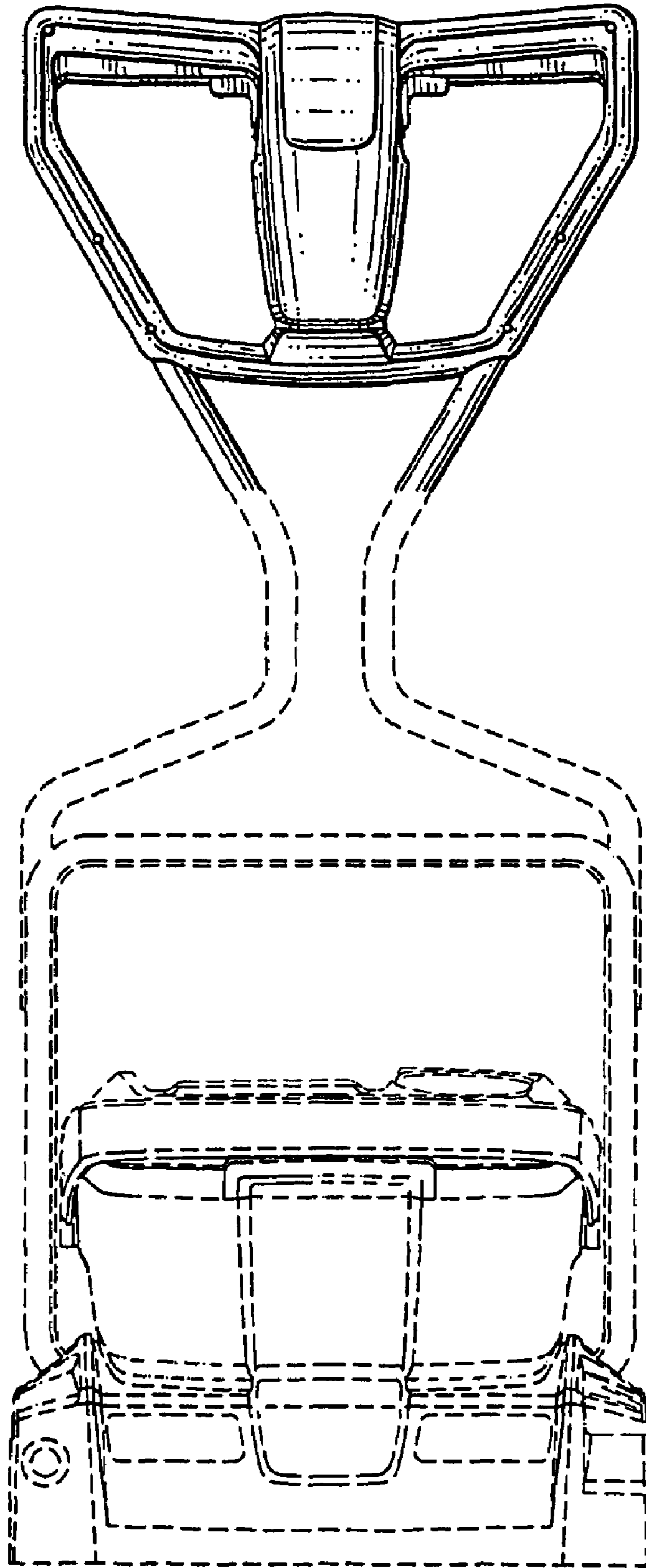


FIG.4

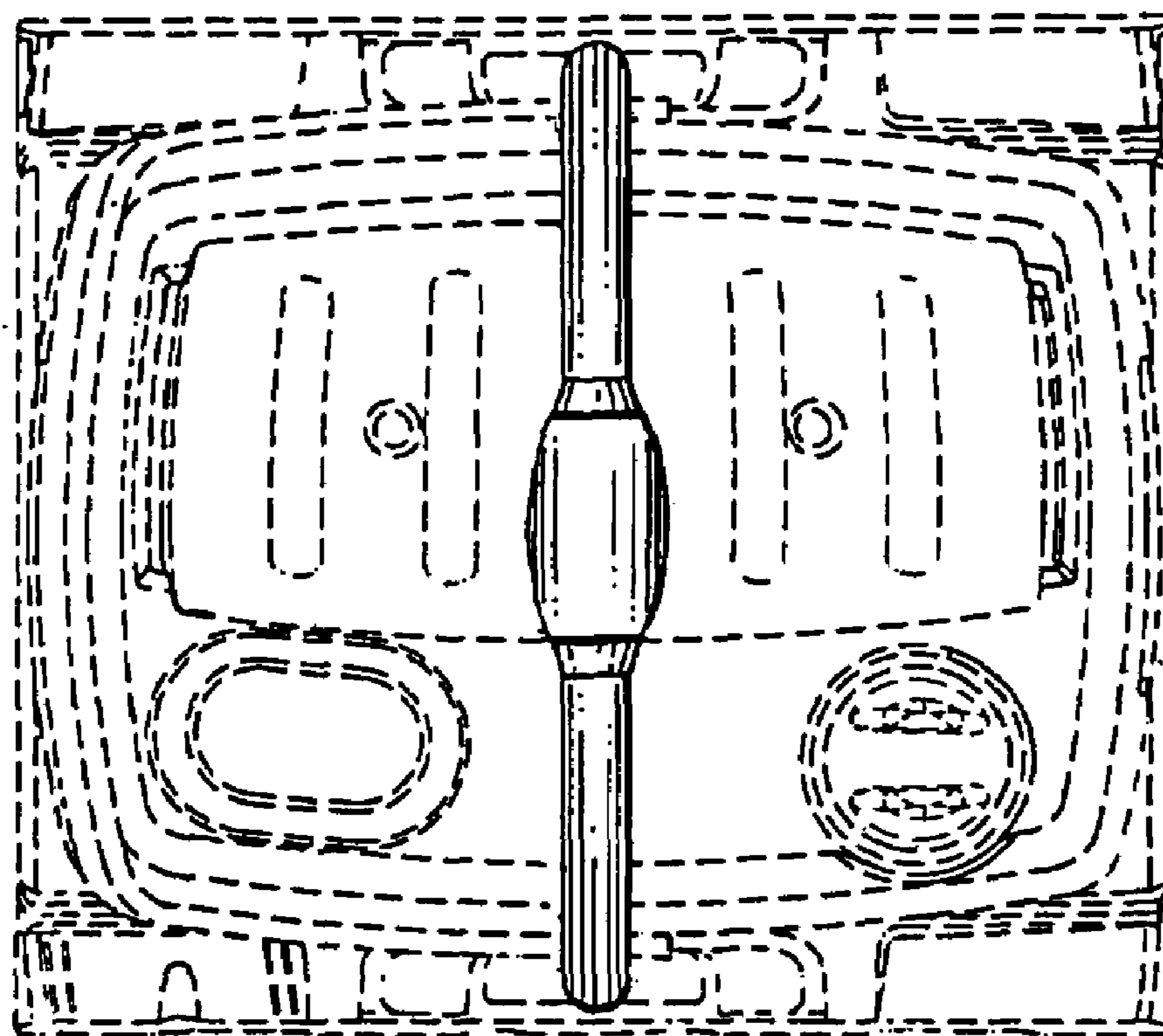


FIG.5

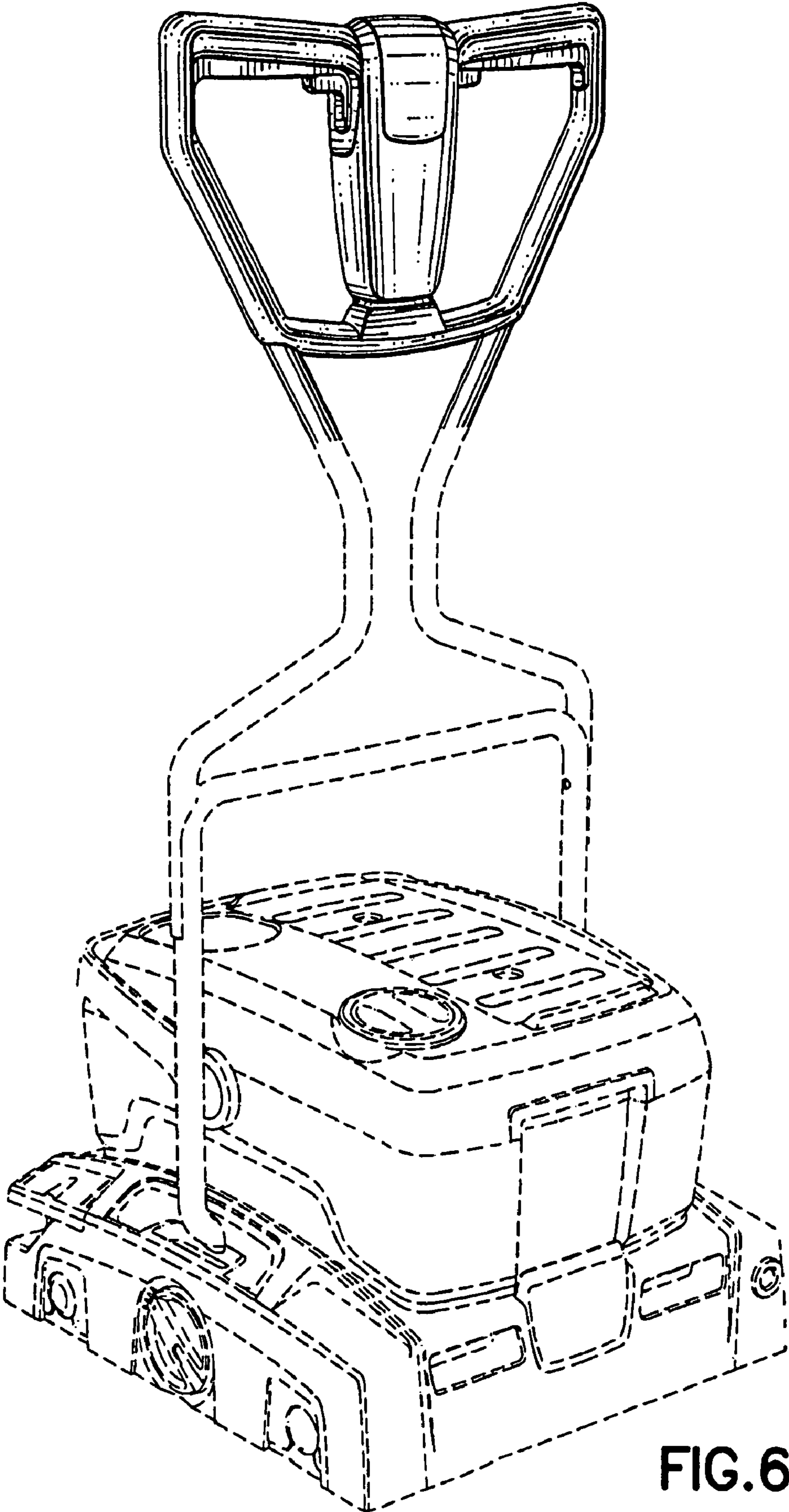


FIG. 6