



US00D584015S

(12) **United States Design Patent**
Um

(10) **Patent No.:** **US D584,015 S**
(45) **Date of Patent:** **** Dec. 30, 2008**

(54) **WASHING MACHINE**

(75) Inventor: **Ye Ji Um**, Seoul (KR)

(73) Assignee: **LG Electronics Inc.**, Seoul (KR)

(**) Term: **14 Years**

(21) Appl. No.: **29/290,673**

(22) Filed: **Jan. 2, 2008**

(30) **Foreign Application Priority Data**

Jul. 2, 2007 (KR) 30-2007-0028589

(51) **LOC (8) Cl.** **15-05**

(52) **U.S. Cl.** **D32/6**

(58) **Field of Classification Search** D32/5-6,
D32/8, 1, 9, 25; 312/31; 34/87-88, 523-524,
34/603, 108, 139; 68/3 R, 5 R, 12.01, 12.08,
68/12.12, 12.26, 24

See application file for complete search history.

(56) **References Cited**

U.S. PATENT DOCUMENTS

D496,709 S *	9/2004	Suh et al.	D32/6
D517,257 S *	3/2006	Kim et al.	D32/6
D517,756 S *	3/2006	Ha et al.	D32/6
D519,691 S *	4/2006	Kim et al.	D32/6
D520,686 S *	5/2006	Jeon et al.	D32/6
D522,807 S *	6/2006	Dow et al.	D7/409
D528,712 S *	9/2006	Ha et al.	D32/6
D528,713 S *	9/2006	Ha et al.	D32/6
D535,446 S *	1/2007	Kwon et al.	D32/6
D549,901 S *	8/2007	Kwon et al.	D32/6

D551,401 S *	9/2007	Jeon et al.	D32/6
D559,479 S *	1/2008	Kwon et al.	D32/6
D559,480 S *	1/2008	Kwon et al.	D32/6

OTHER PUBLICATIONS

http://us.stll.yimg.com/us.st.yimg.com/1/usappliance_1996_71105362 Apr. 17, 2008.*

* cited by examiner

Primary Examiner—Louis S Zarfaz

Assistant Examiner—Kathleen M Sims

(74) *Attorney, Agent, or Firm*—Morgan Lewis & Bockius LLP

(57) **CLAIM**

The ornamental design for a washing machine, as shown and described.

DESCRIPTION

FIG. 1 is a front, right perspective of the washing machine showing my new design;

FIG. 2 is a front view thereof;

FIG. 3 is a rear view thereof;

FIG. 4 is a left side view thereof;

FIG. 5 is a right side view thereof;

FIG. 6 is a top plan view thereof; and,

FIG. 7 is a bottom plan view thereof.

The broken line showing of the top, bottom, sides and rear of the washing machine in FIGS. 1-7 are included for the purpose of illustrating environmental portions of the washing machine and forms no part of the claimed design.

1 Claim, 7 Drawing Sheets

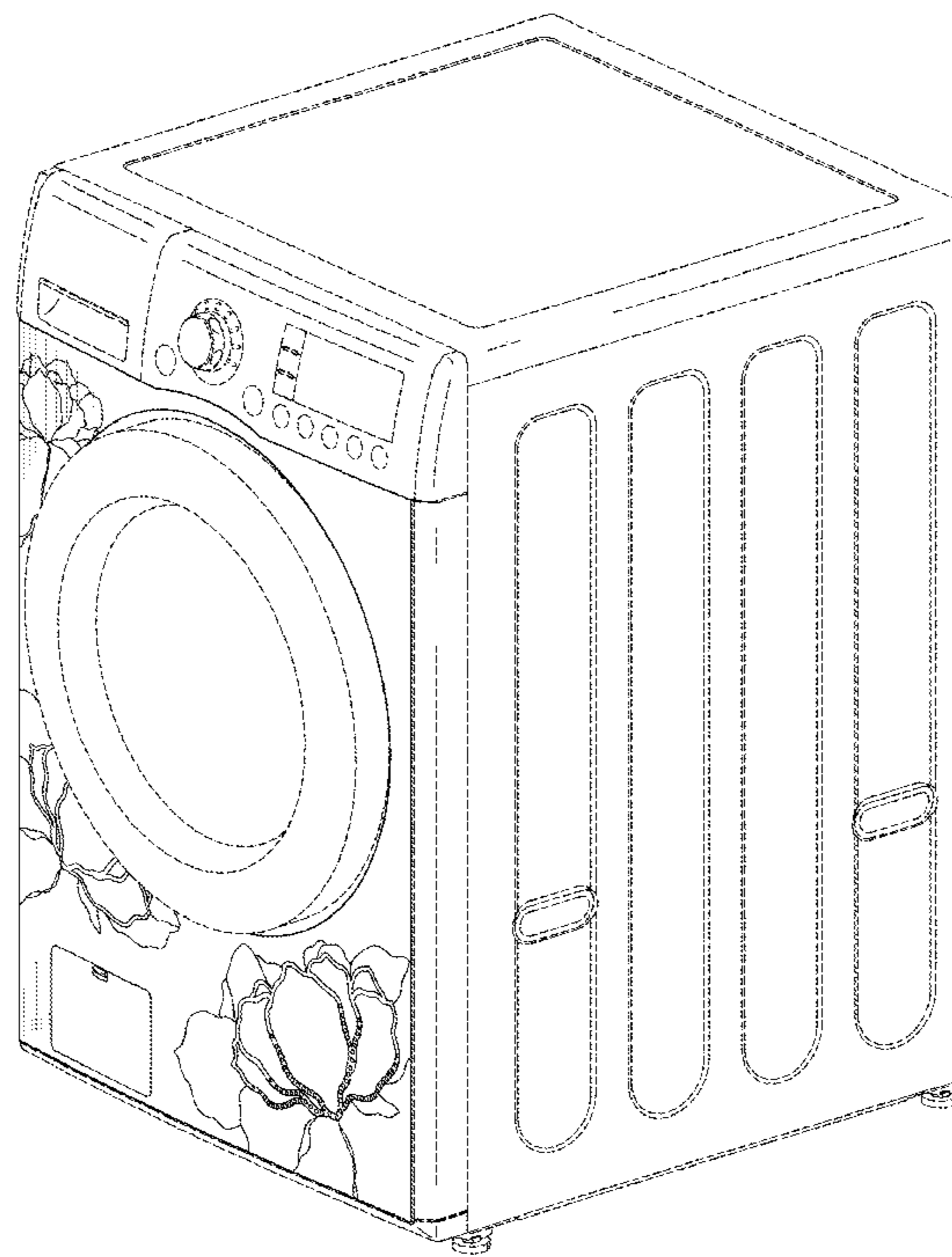


FIG. 1

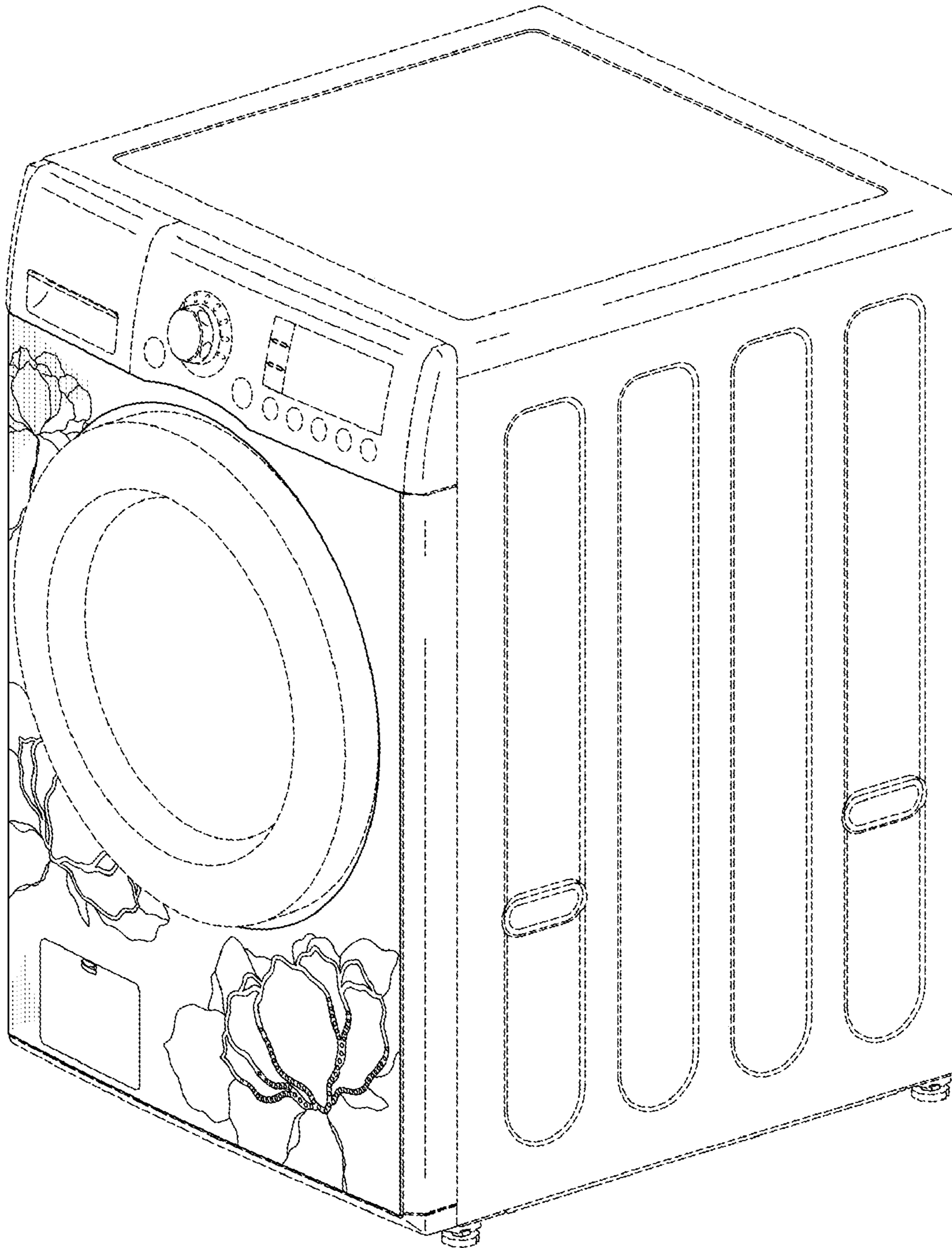


FIG. 2

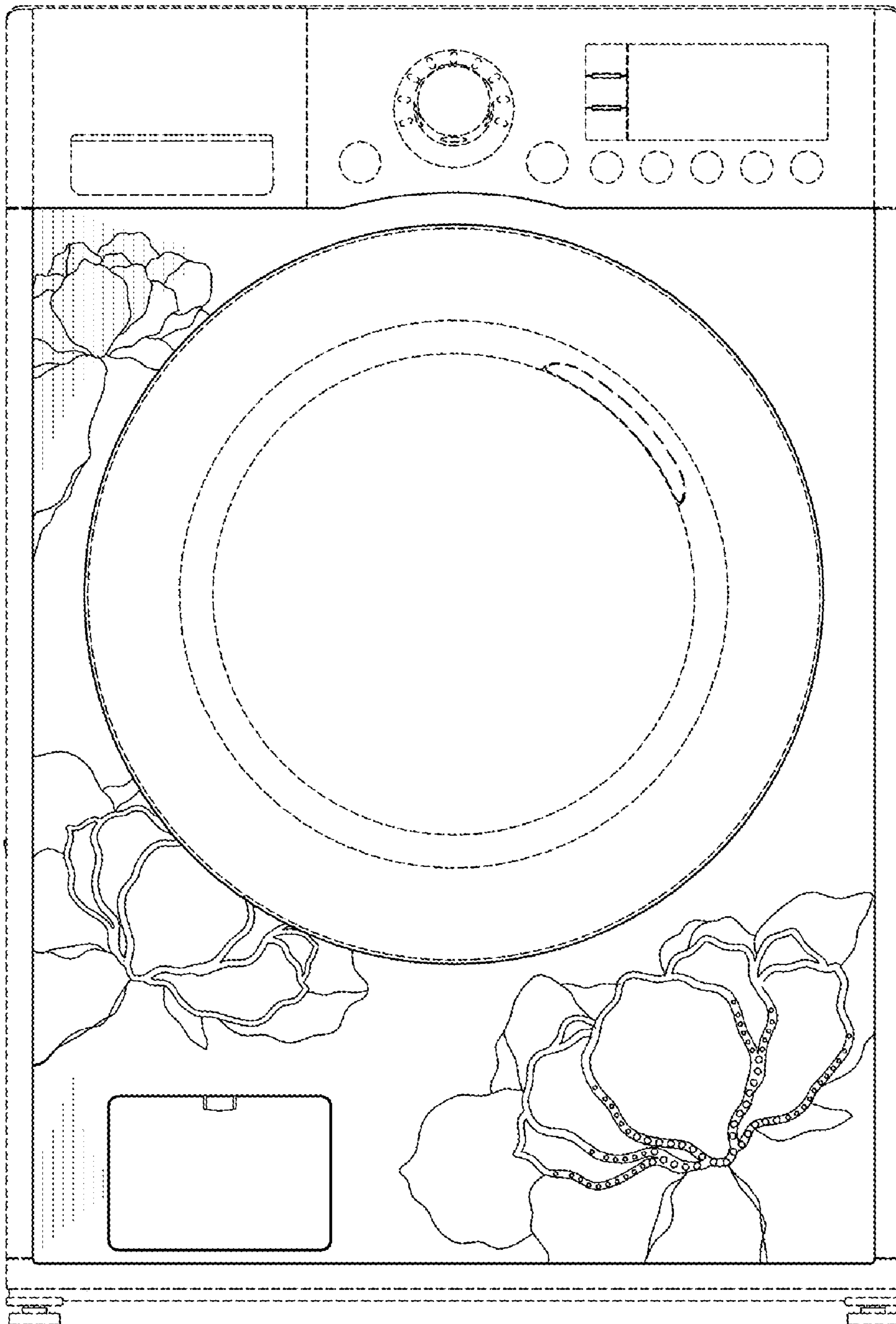


FIG. 3

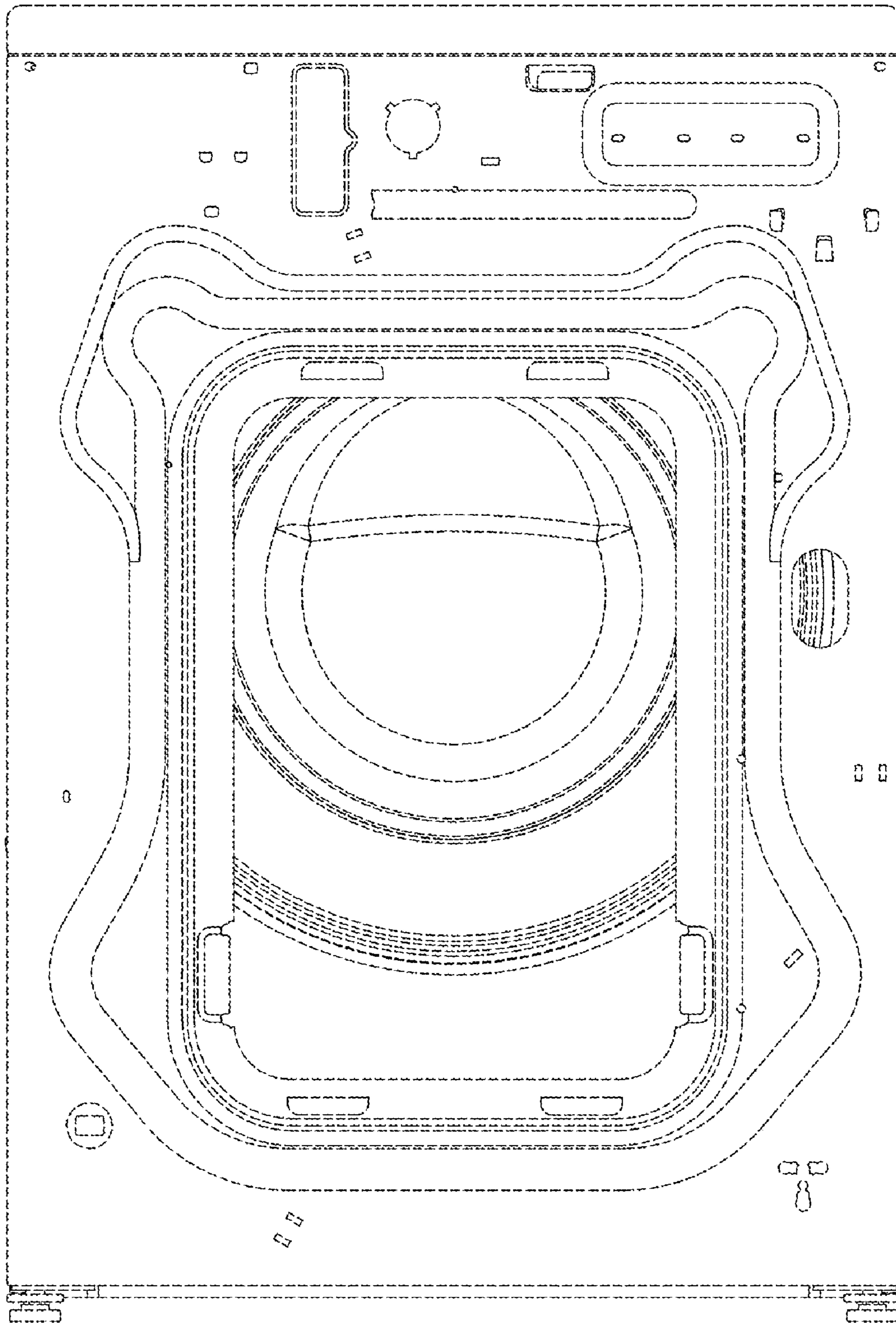


FIG. 4

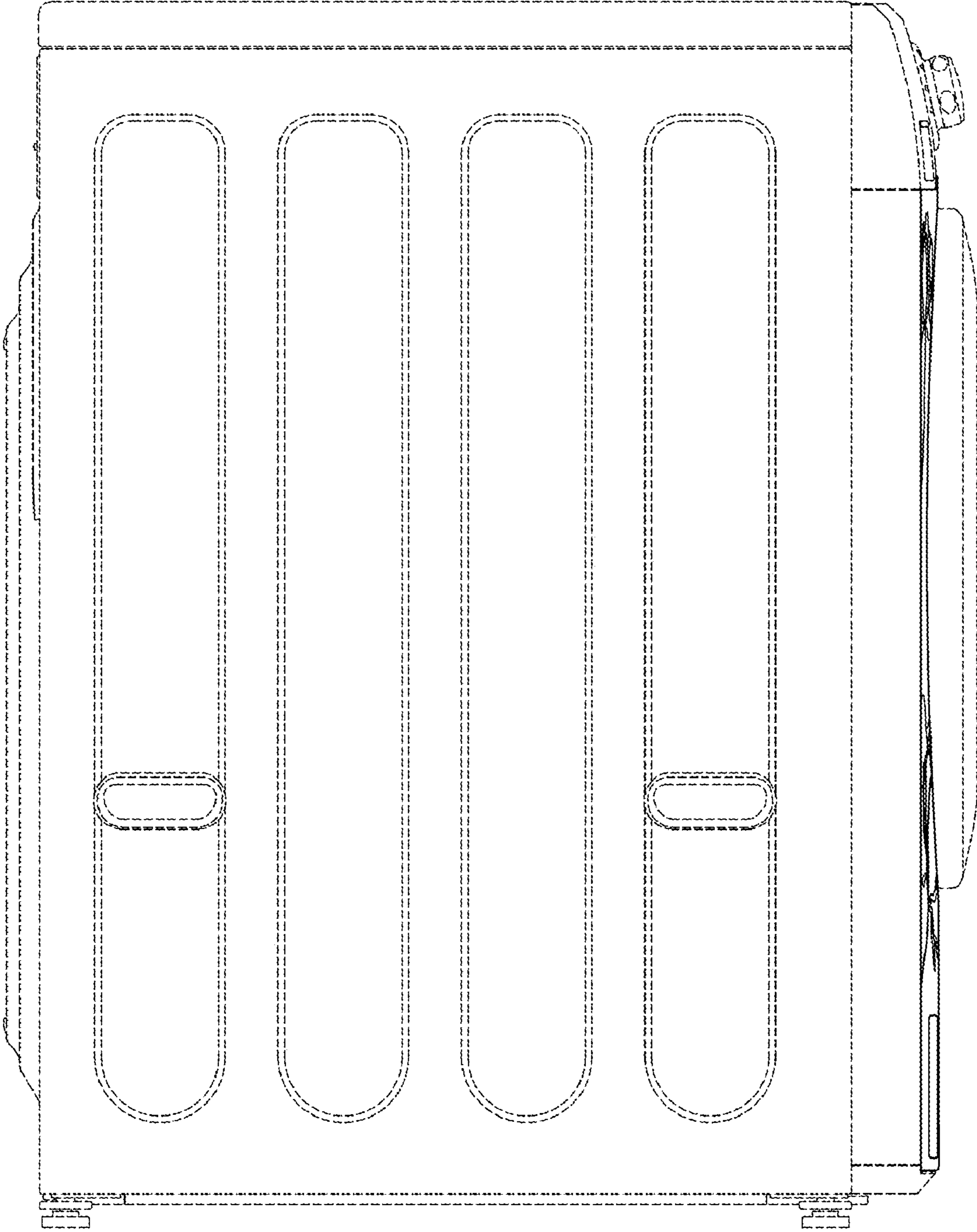


FIG. 5

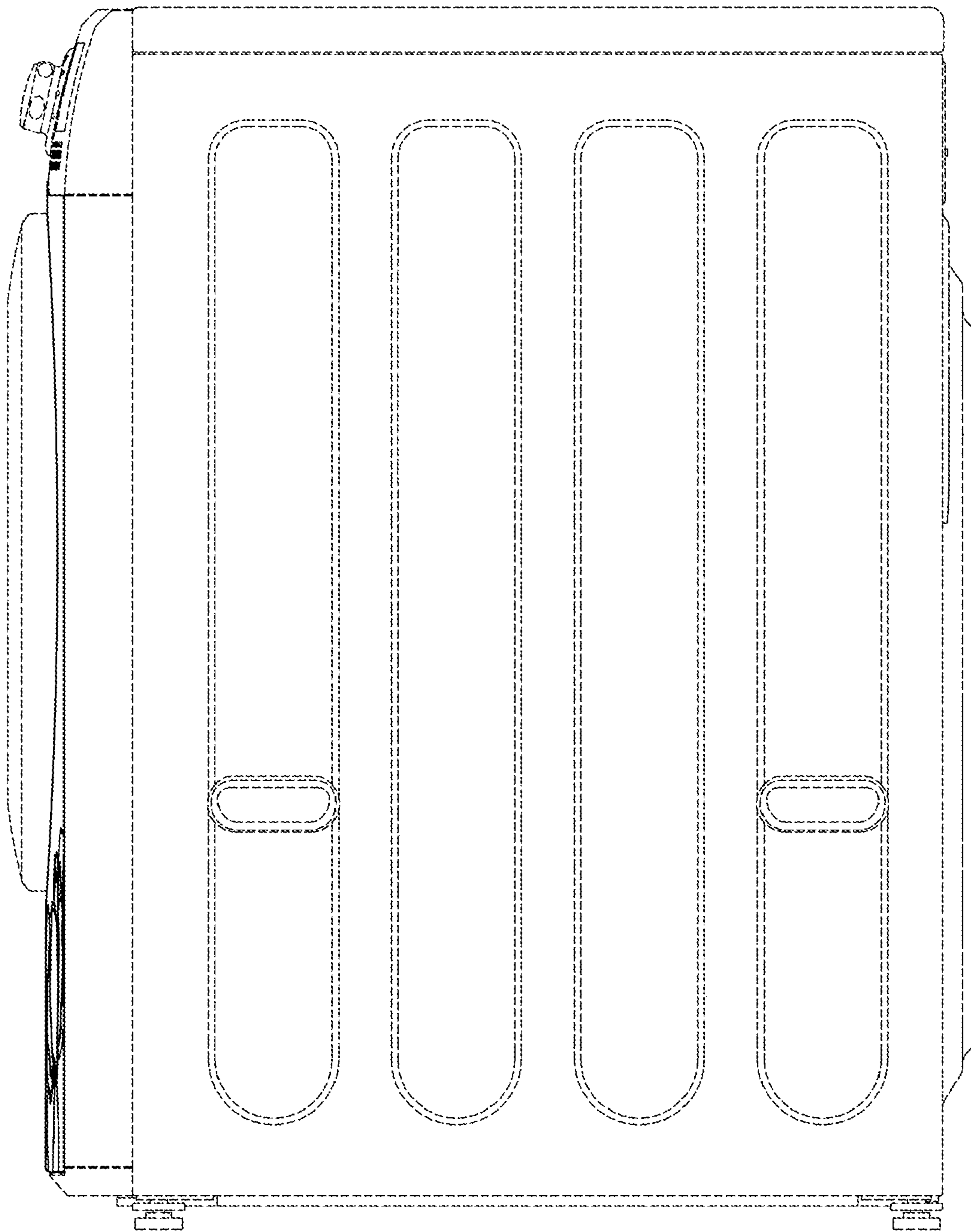


FIG. 6

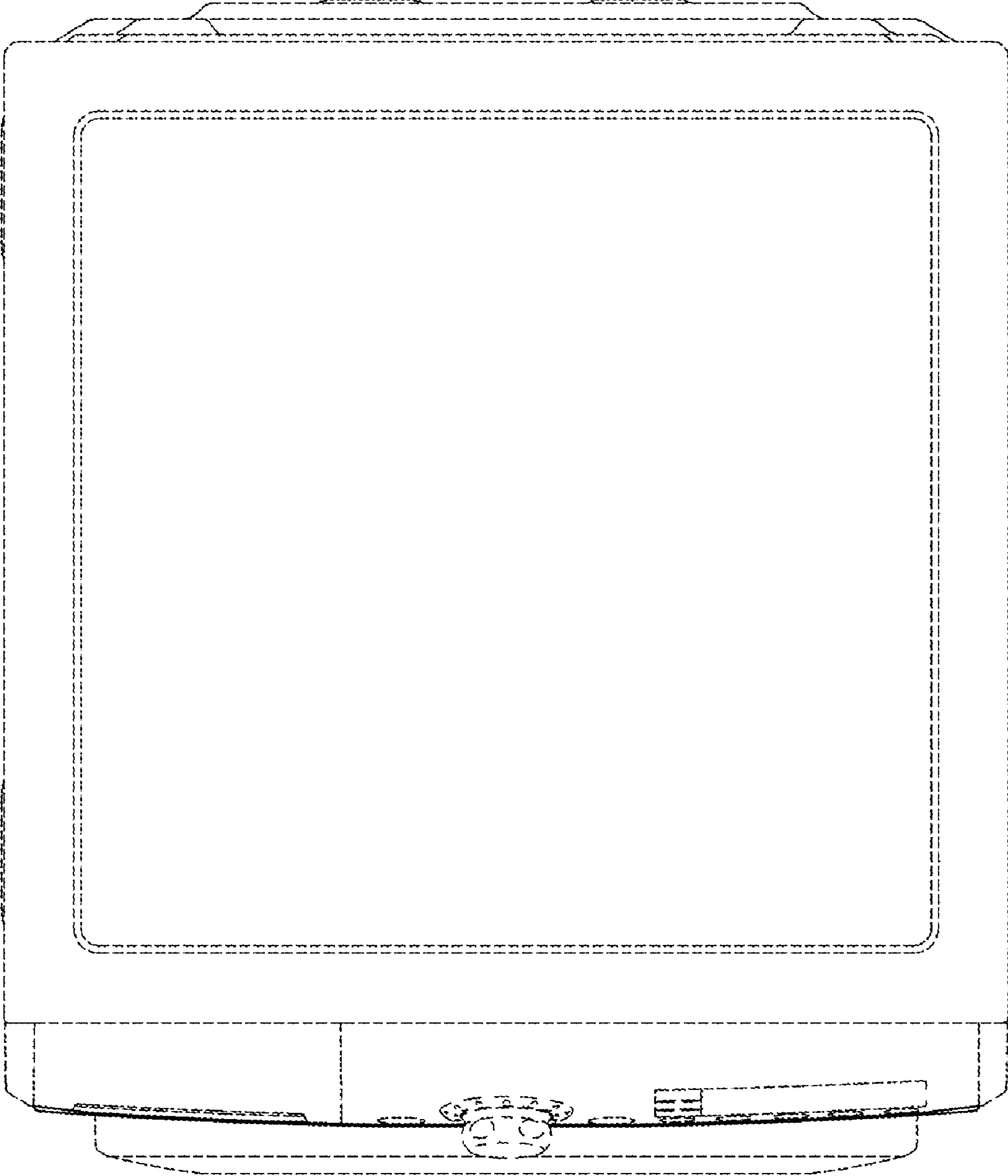


FIG. 7

