



US00D583998S

(12) **United States Design Patent**
Tani

(10) **Patent No.:** **US D583,998 S**
(45) **Date of Patent:** **** Dec. 30, 2008**

(54) **CONTAINER FOR COSMETIC MATERIAL**

2008/0041747 A1* 2/2008 Mihara et al. 206/385

(75) Inventor: **Yoshikazu Tani**, Kawaguchi (JP)

* cited by examiner

(73) Assignee: **Tokiwa Corporation**, Nakatsugawa-Shi,
Gifu (JP)

Primary Examiner—Jennifer Rivard
(74) *Attorney, Agent, or Firm*—Bacon & Thomas, PLLC

(**) Term: **14 Years**

(57) **CLAIM**

(21) Appl. No.: **29/300,368**

The ornamental design for container for cosmetic material, as shown and described.

(22) Filed: **Mar. 20, 2008**

(30) **Foreign Application Priority Data**

DESCRIPTION

Sep. 26, 2007 (JP) 2007-026033

FIG. 1 is a front view of the container for cosmetic material embodying my new design and shown without the cover;

(51) **LOC (8) Cl.** **28-03**

FIG. 2 is a rear view thereof;

(52) **U.S. Cl.** **D28/88**

FIG. 3 is a right side view thereof, the left side view being a mirror image;

(58) **Field of Classification Search** D28/7,
D28/76, 77, 85-90; 401/202, 126-130; D9/500,
D9/503-505, 723-729; 206/581, 823, 385;
132/316-318, 320

FIG. 4 is a top plan view thereof;

See application file for complete search history.

FIG. 5 is a bottom view thereof;

(56) **References Cited**

FIG. 6 is a perspective view of the container for cosmetic material shown with the cover; and,

U.S. PATENT DOCUMENTS

FIG. 7 is a front view of the container for cosmetic material shown with the cover, the rear view being a mirror image.

D541,990 S * 5/2007 Hsu D28/89

The container for cosmetic material is shown with and without the cover for convenience of illustration.

D558,926 S * 1/2008 Breidenbach et al. D28/88

D565,798 S * 4/2008 Ivanova D28/89

2003/0226573 A1* 12/2003 Chan 132/318

1 Claim, 4 Drawing Sheets

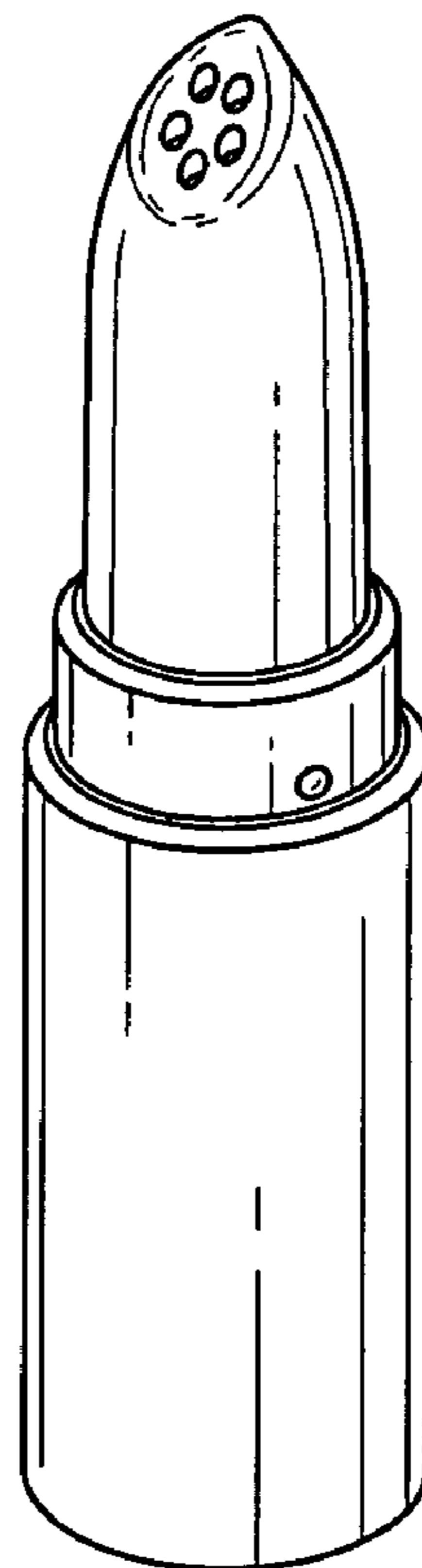
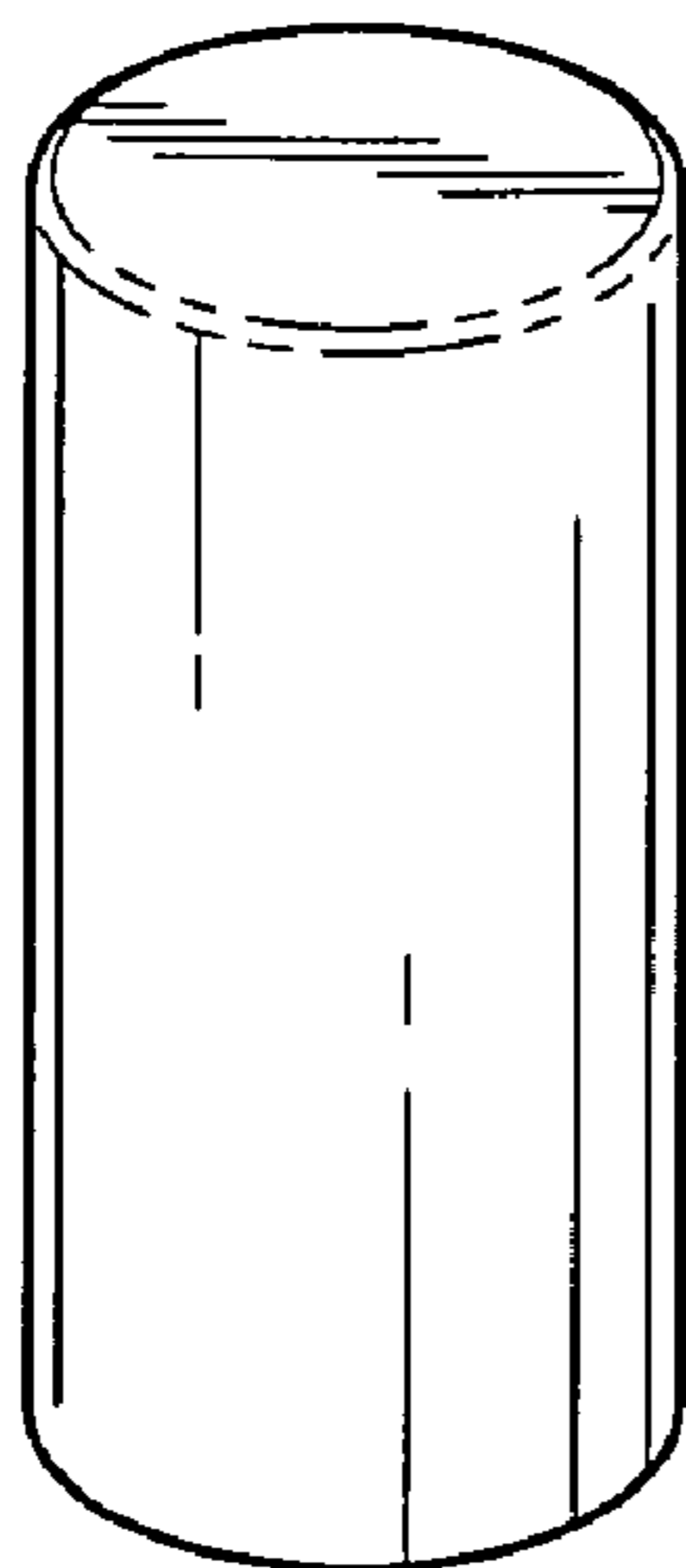


FIG. 1

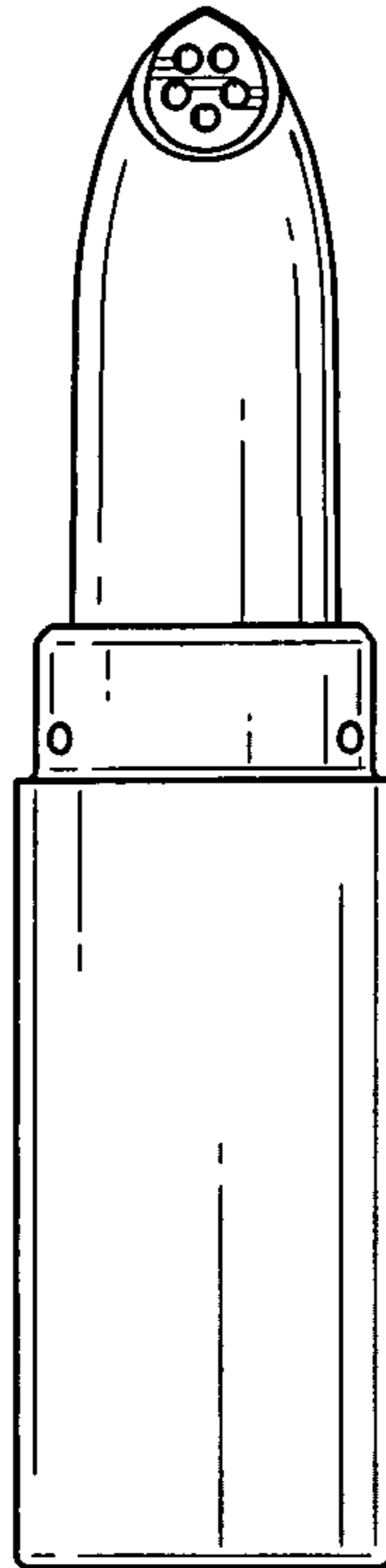


FIG. 2

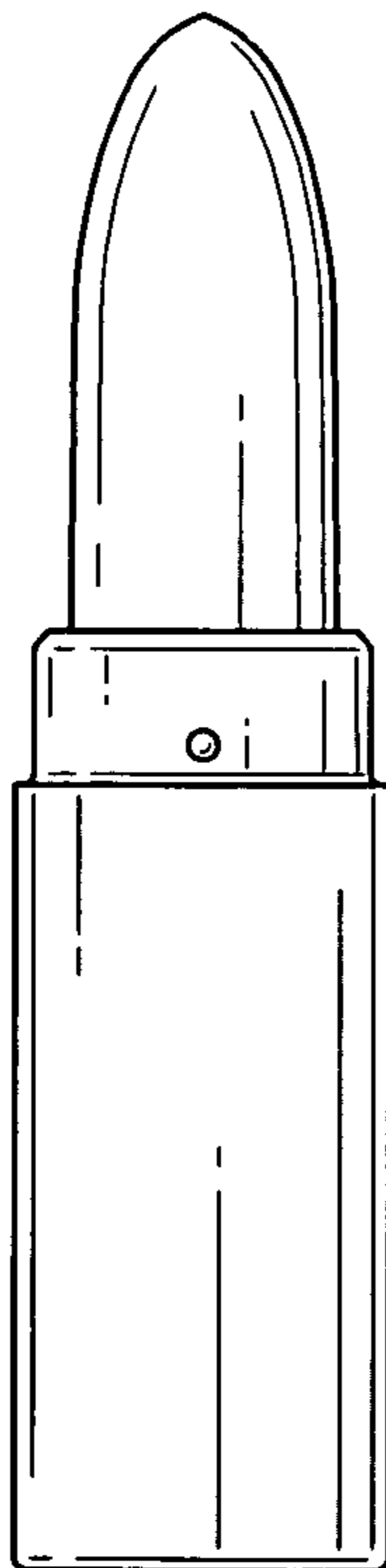


FIG. 3

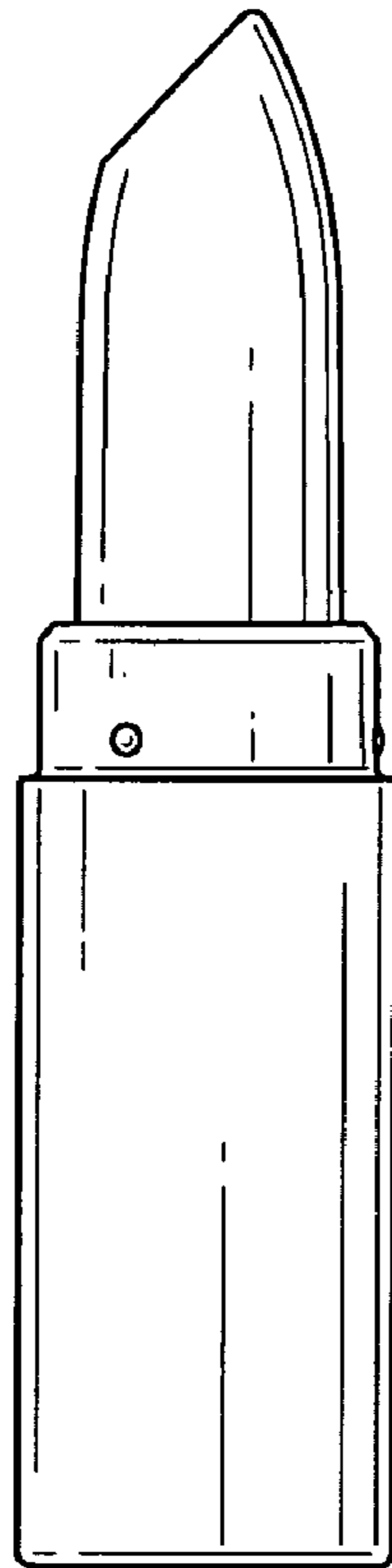


FIG. 4

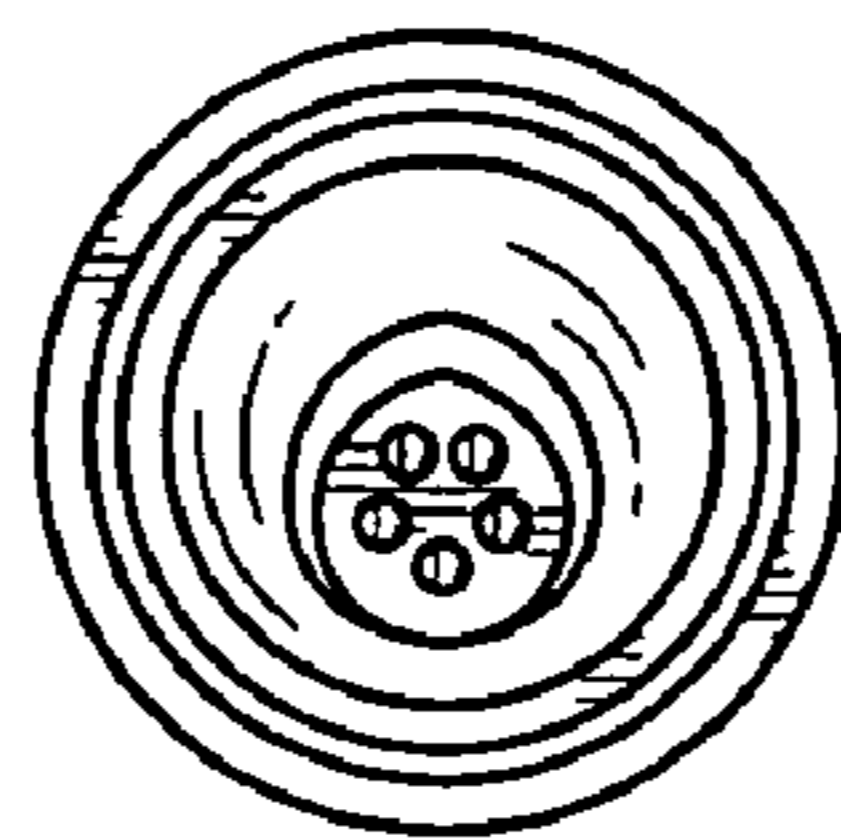


FIG. 5

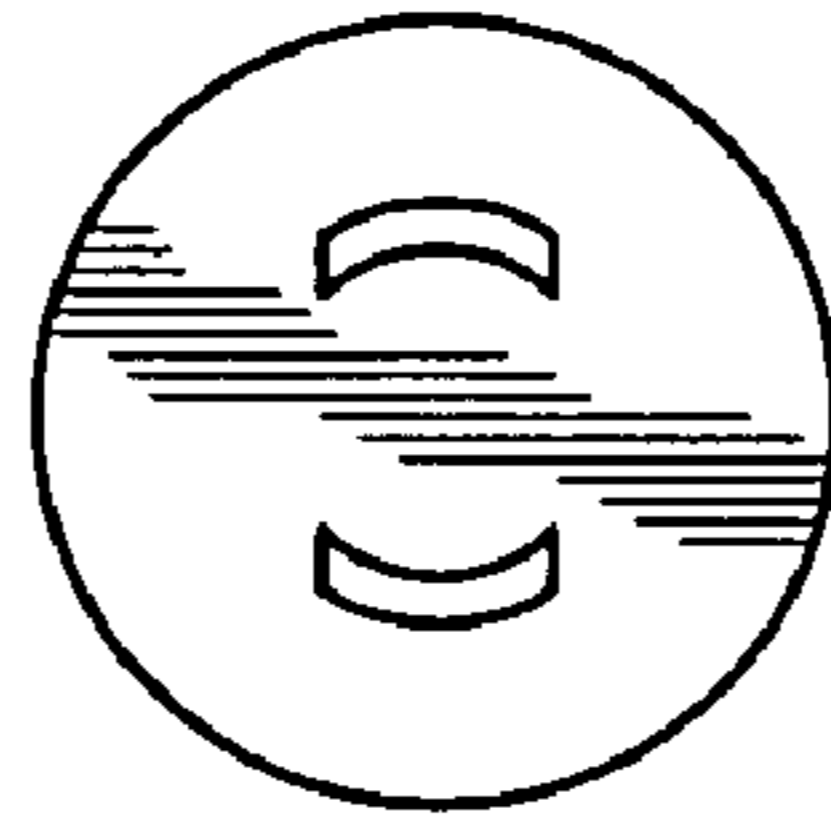


FIG. 6

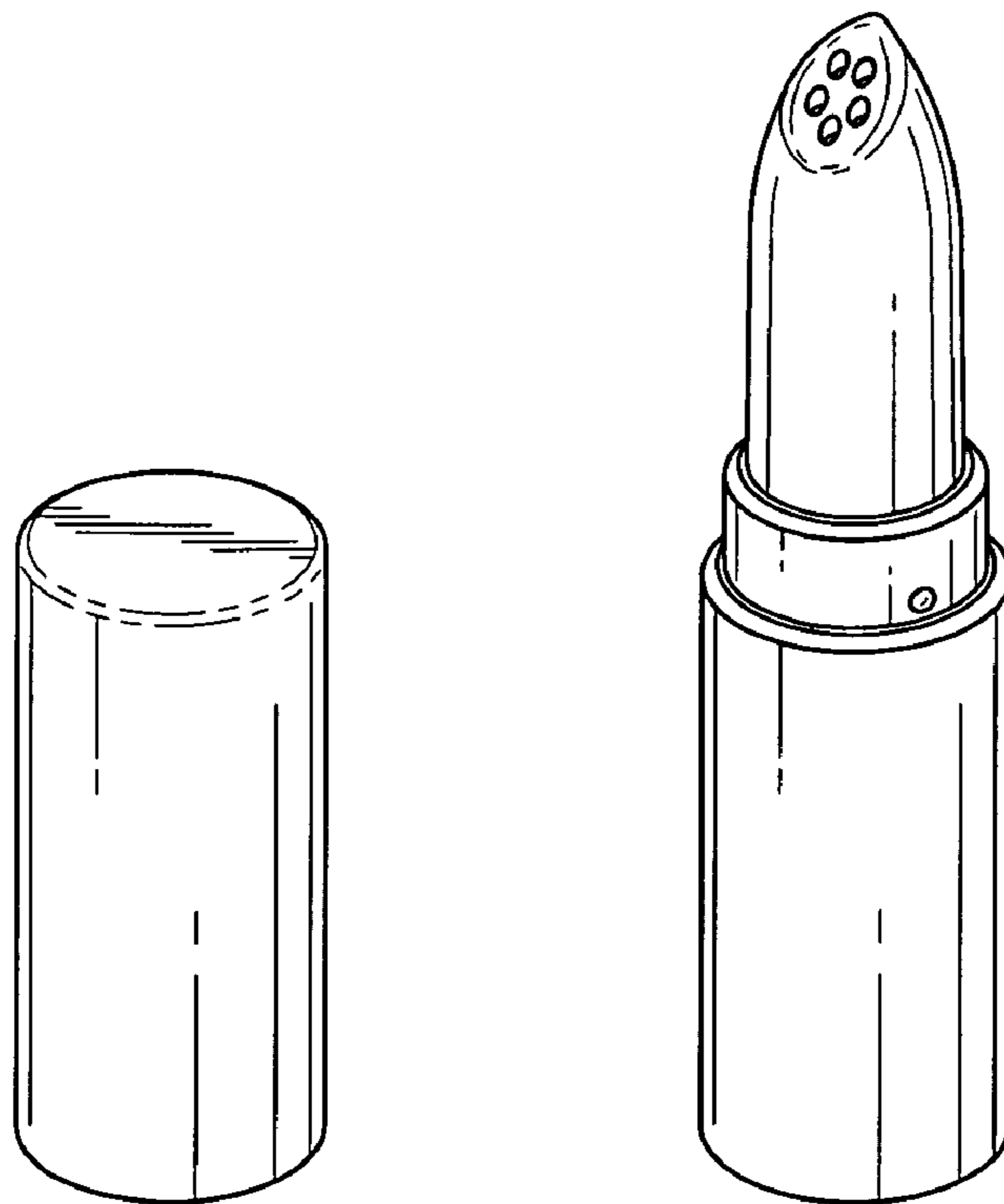
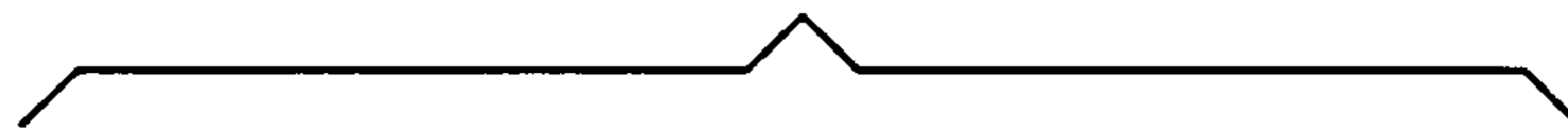


FIG. 7

