



US00D583997S

(12) **United States Design Patent**
Thorpe

(10) **Patent No.:** **US D583,997 S**
(45) **Date of Patent:** **** Dec. 30, 2008**

(54) **COSMETIC CASE**

DESCRIPTION

(75) Inventor: **Timothy Thorpe**, Santa Monica, CA (US)

(73) Assignee: **HCT Limited**, Hong Kong (CN)

(**) Term: **14 Years**

(21) Appl. No.: **29/276,382**

(22) Filed: **Jan. 24, 2007**

(51) **LOC (8) Cl.** **28-03**

(52) **U.S. Cl.** **D28/83**

(58) **Field of Classification Search** D28/73,
D28/76-84; 132/286-288, 293-307, 312-318;
220/DIG. 26; 206/581, 823

See application file for complete search history.

(56) **References Cited**

U.S. PATENT DOCUMENTS

D365,892	S *	1/1996	Markham	D28/83
5,655,553	A *	8/1997	Giese et al.	132/303
6,997,321	B2 *	2/2006	Young	206/581
D554,293	S *	10/2007	Thorpe	D28/83
D554,294	S *	10/2007	Thorpe	D28/83
2006/0027481	A1 *	2/2006	Gelardi et al.	206/581

* cited by examiner

Primary Examiner—Jennifer Rivard

(57) **CLAIM**

The ornamental design for a cosmetic case, as shown and described.

FIG. 1 is a perspective view of a cosmetic case of the present invention, wherein an outer lid is in a closed position;

FIG. 2 is an elevational view of the right side thereof, wherein the outer lid is in a closed position;

FIG. 3 is an elevational view of the front thereof, wherein the outer lid is in a closed position;

FIG. 4 is an elevational view of the rear thereof, wherein the outer lid is in a closed position;

FIG. 5 is a plan view of the bottom thereof;

FIG. 6 is a perspective view of the cosmetic case, wherein the outer lid is in an open position, and inner well caps are in closed positions;

FIG. 7 is a plan view of the top thereof, wherein the outer lid is in an open position, and the inner well caps are in closed positions;

FIG. 8 is an elevational view of the front thereof, wherein the outer lid is in an open position, and the inner well caps are in closed positions;

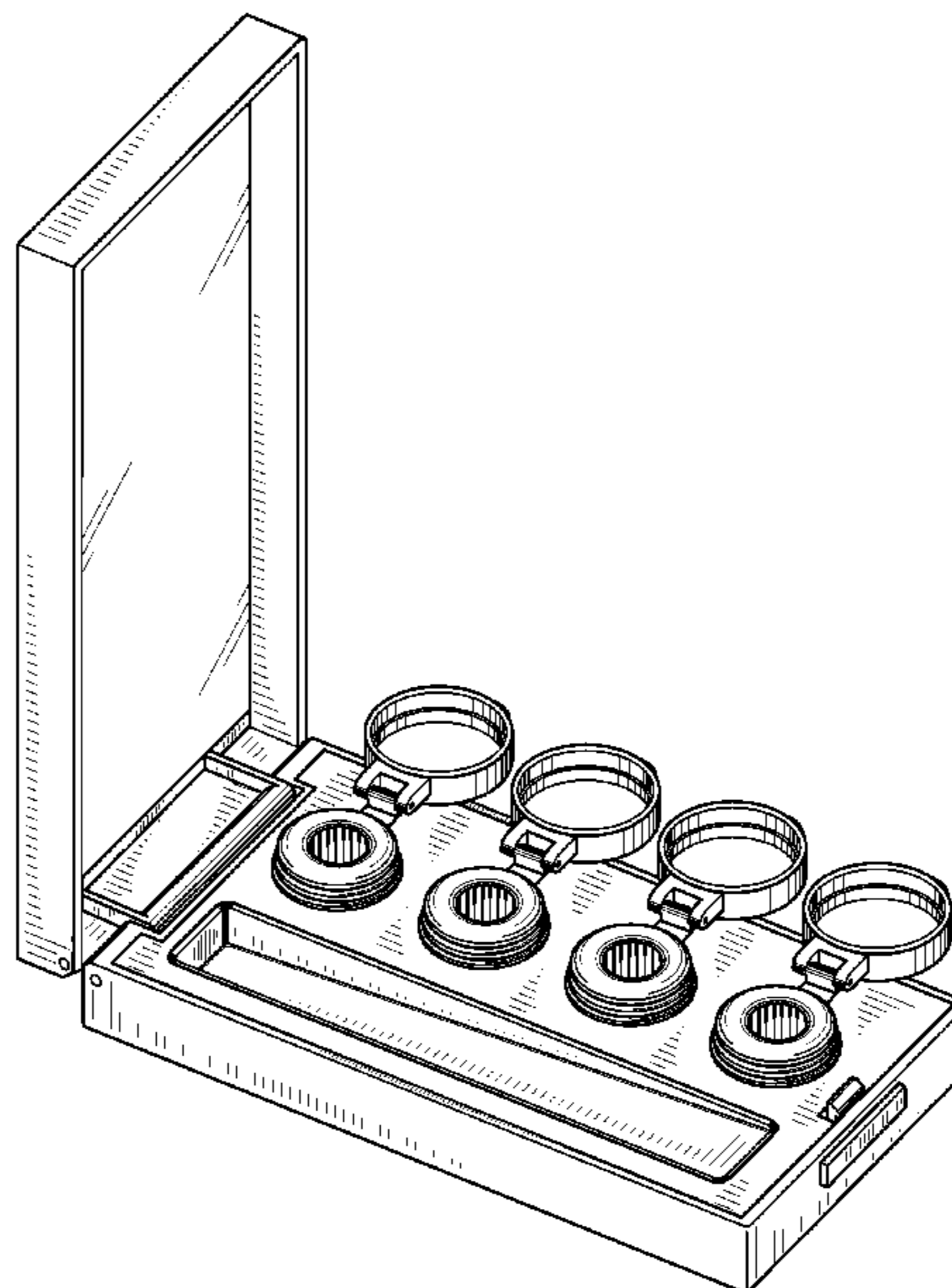
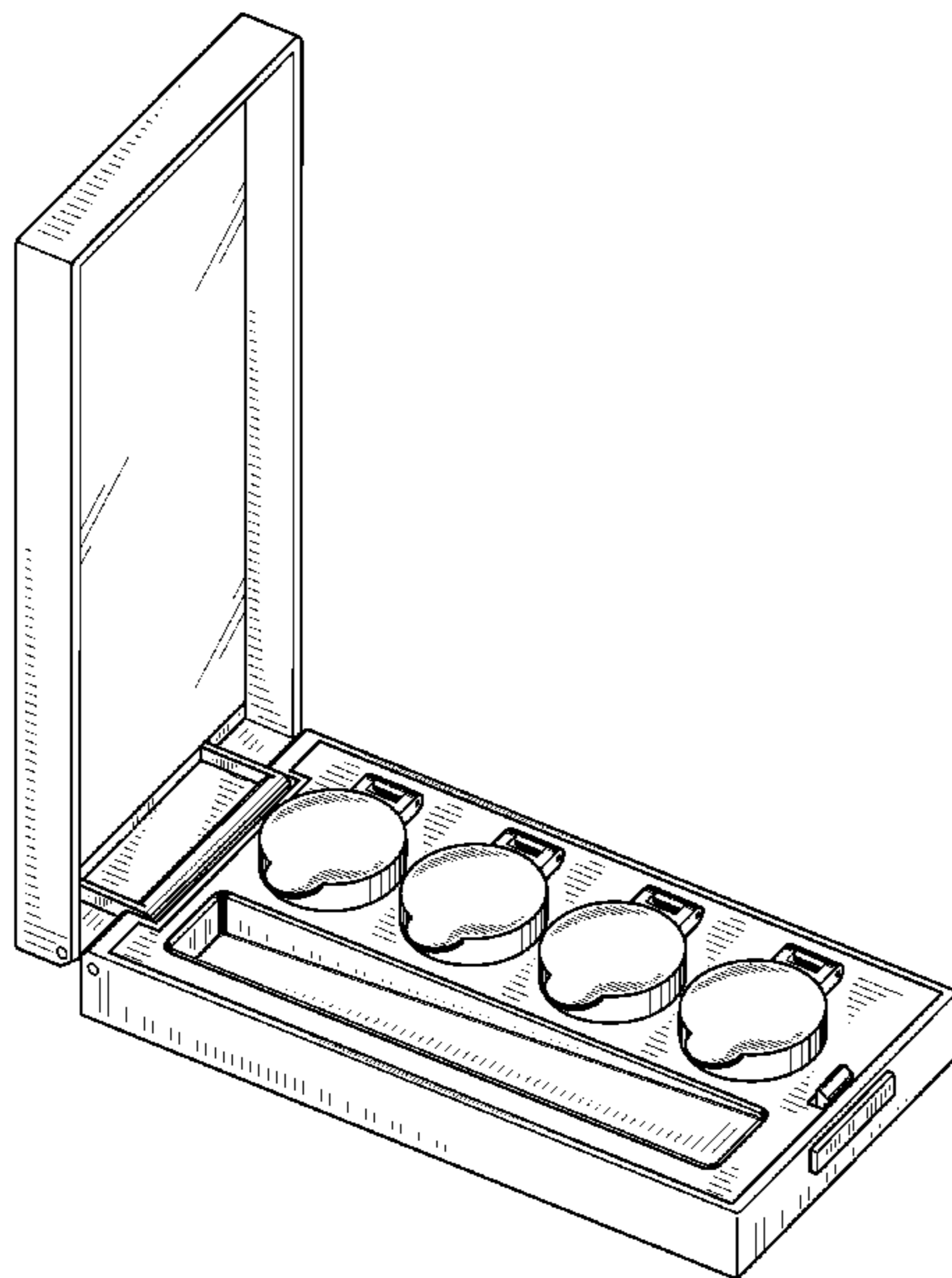
FIG. 9 is an elevational view of the right side thereof, wherein the outer lid is in an open position, and the inner well caps are in closed positions;

FIG. 10 is an elevational view of the left side thereof, wherein the outer lid is in an open position, and the inner well caps are in closed positions;

FIG. 11 is a perspective view of the cosmetic case, wherein the outer lid is in an open position, and the inner well caps are in open positions; and,

FIG. 12 is a plan view of the top thereof, wherein the outer lid is in an open position, and the inner well caps are in open positions.

1 Claim, 7 Drawing Sheets



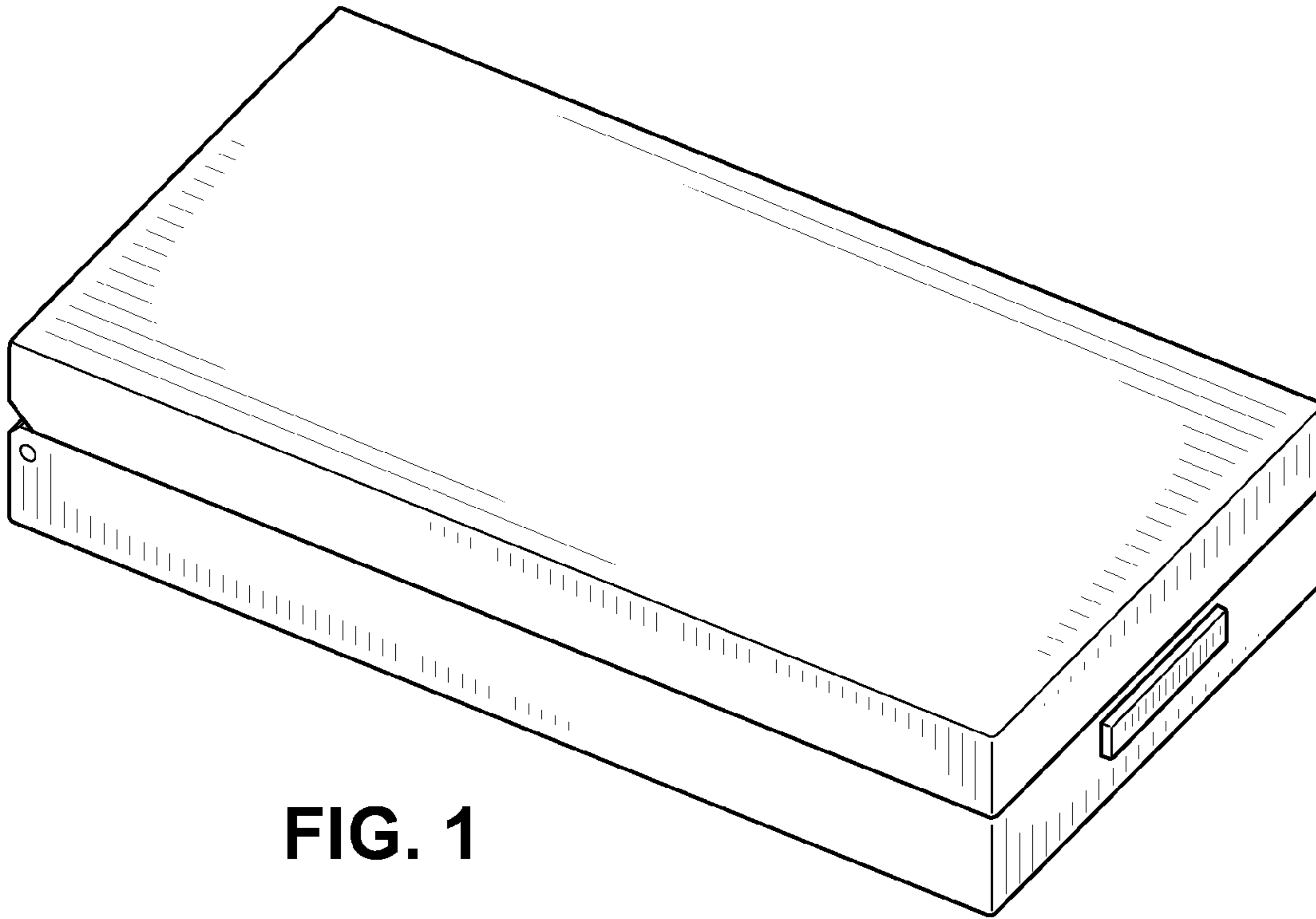


FIG. 1

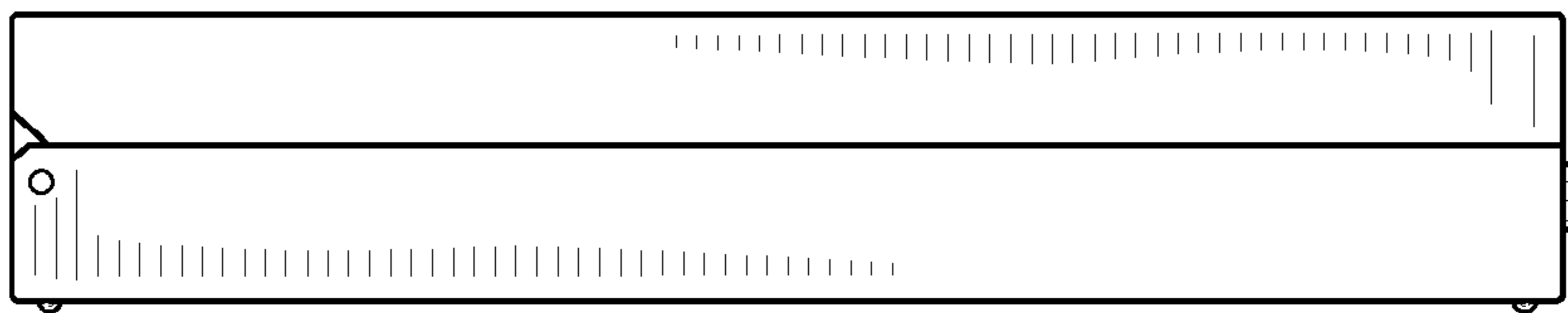


FIG. 2

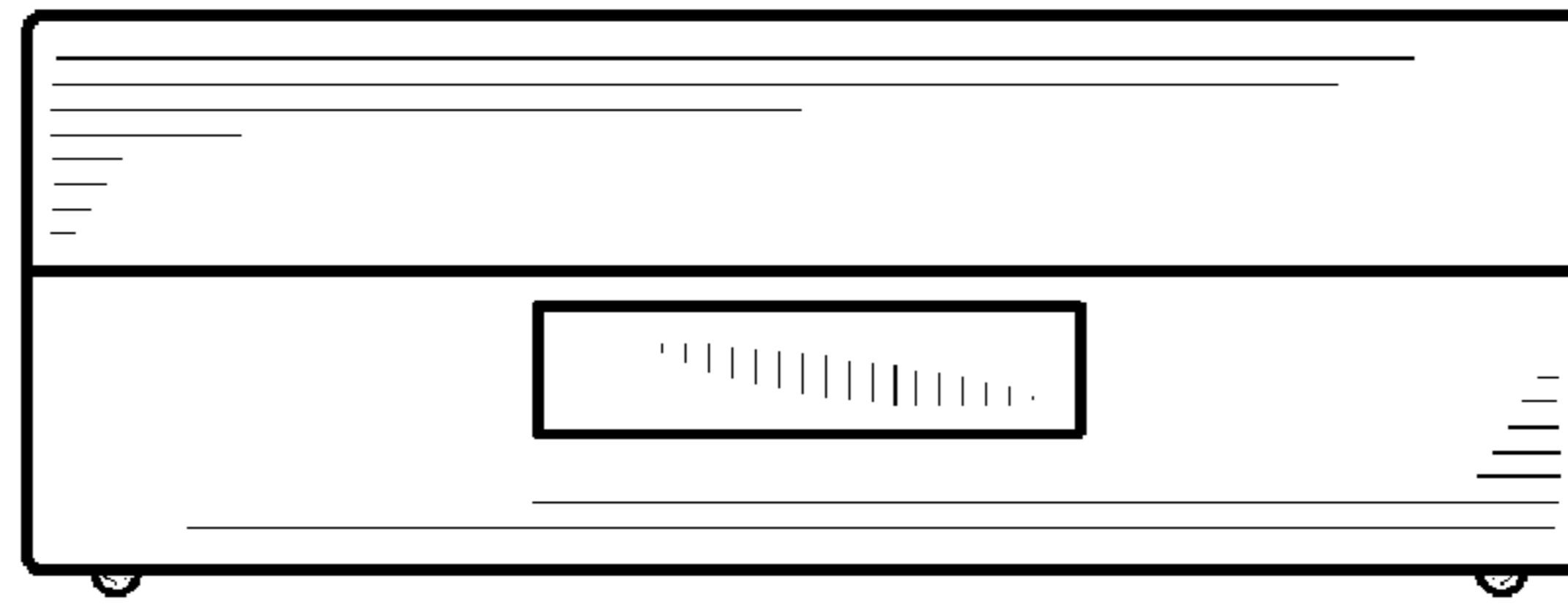


FIG. 3

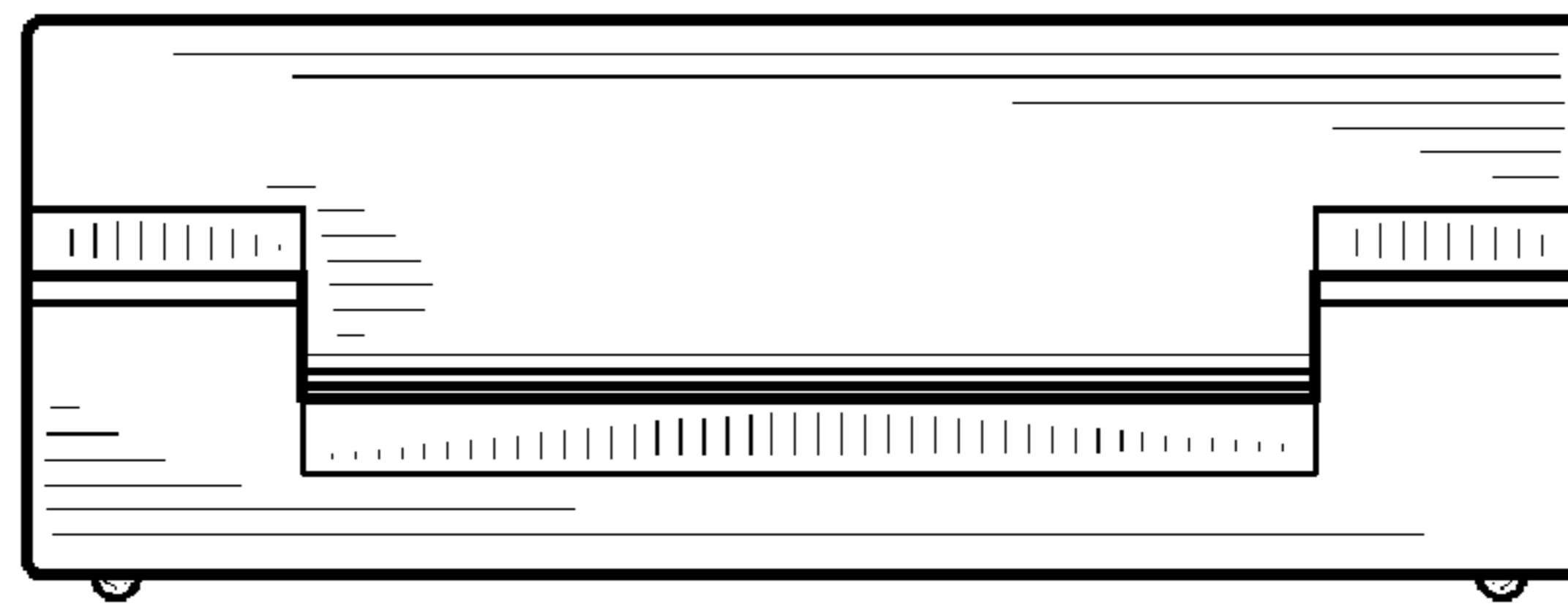


FIG. 4

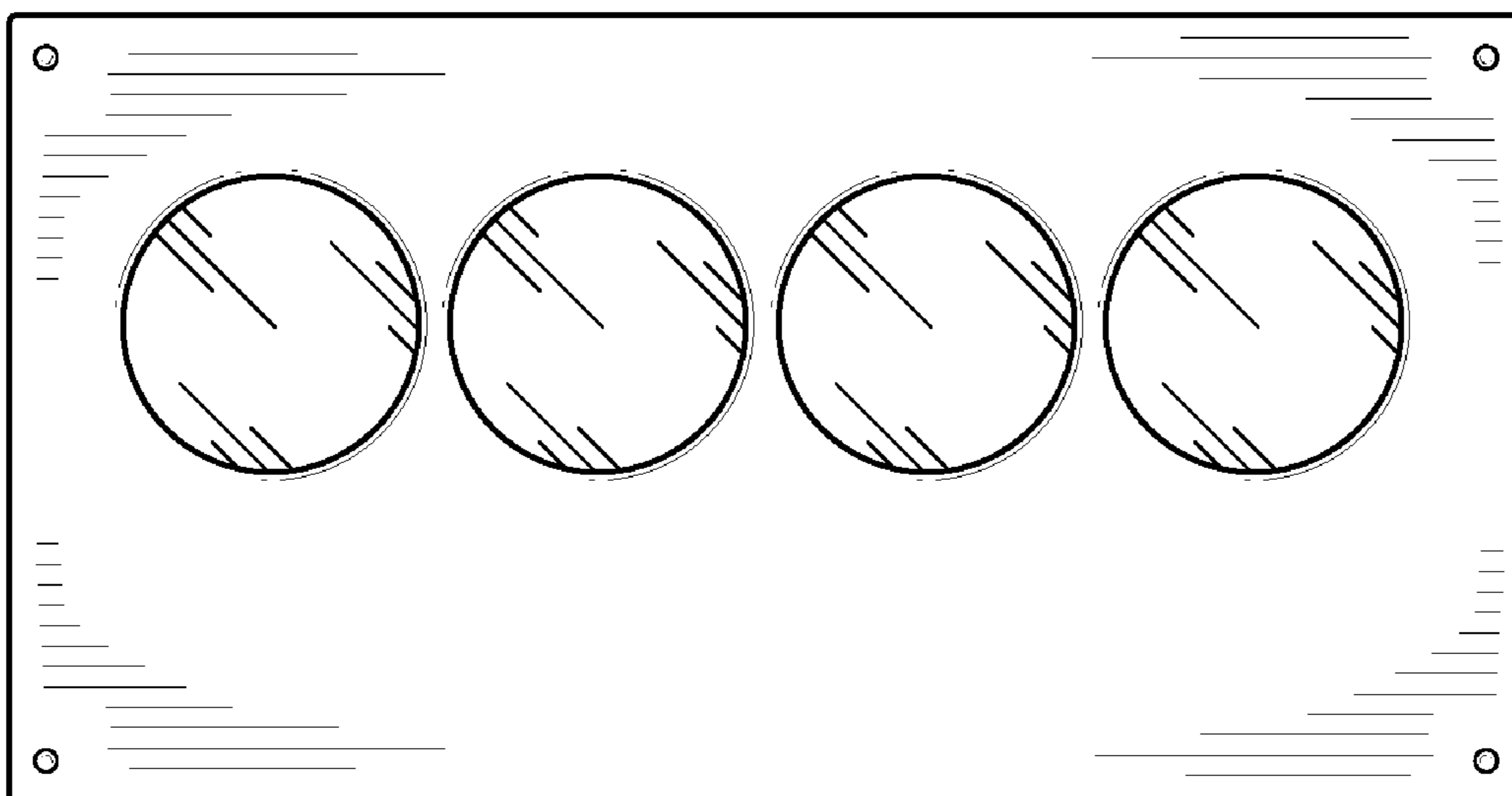


FIG. 5

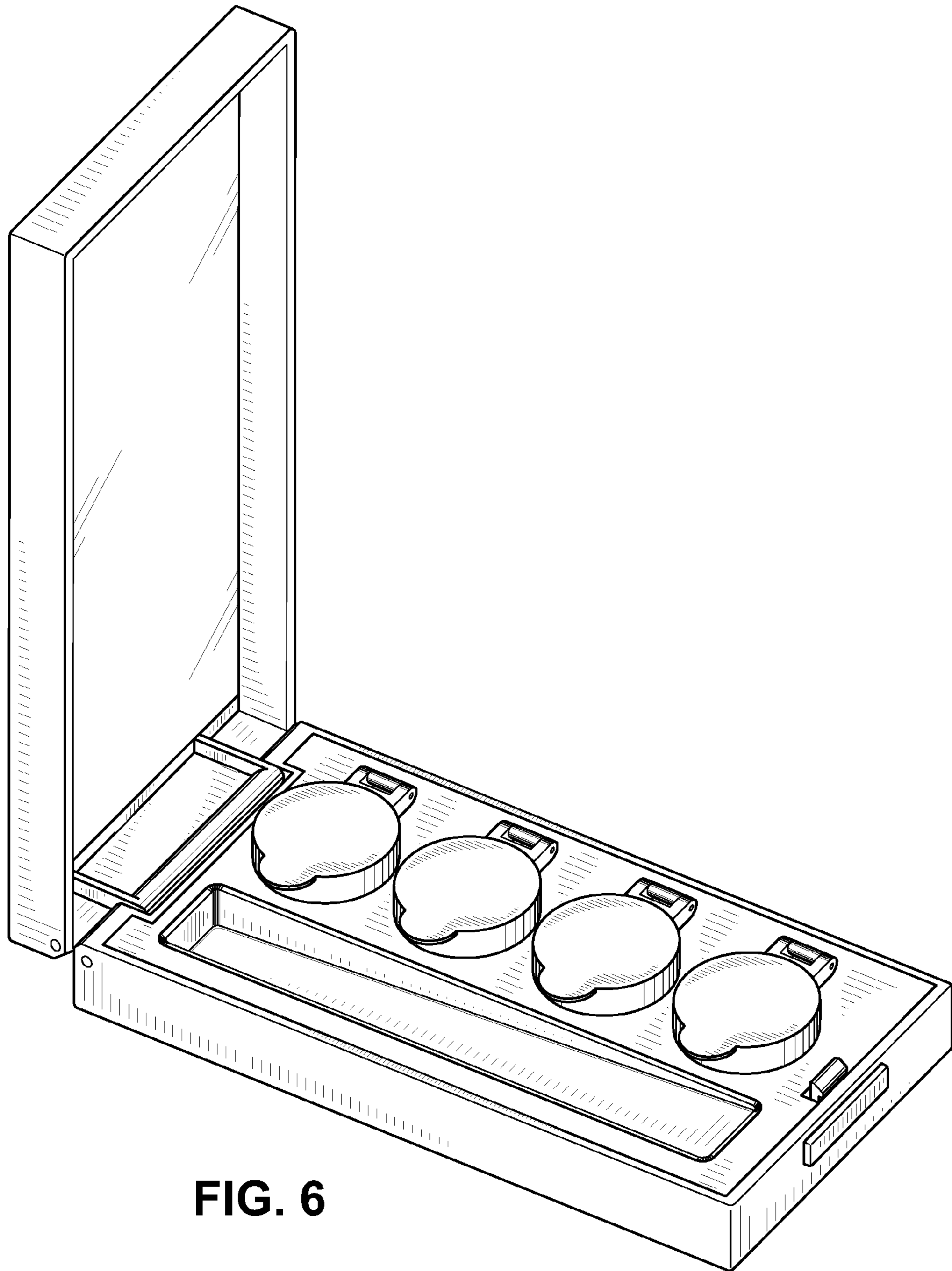


FIG. 6

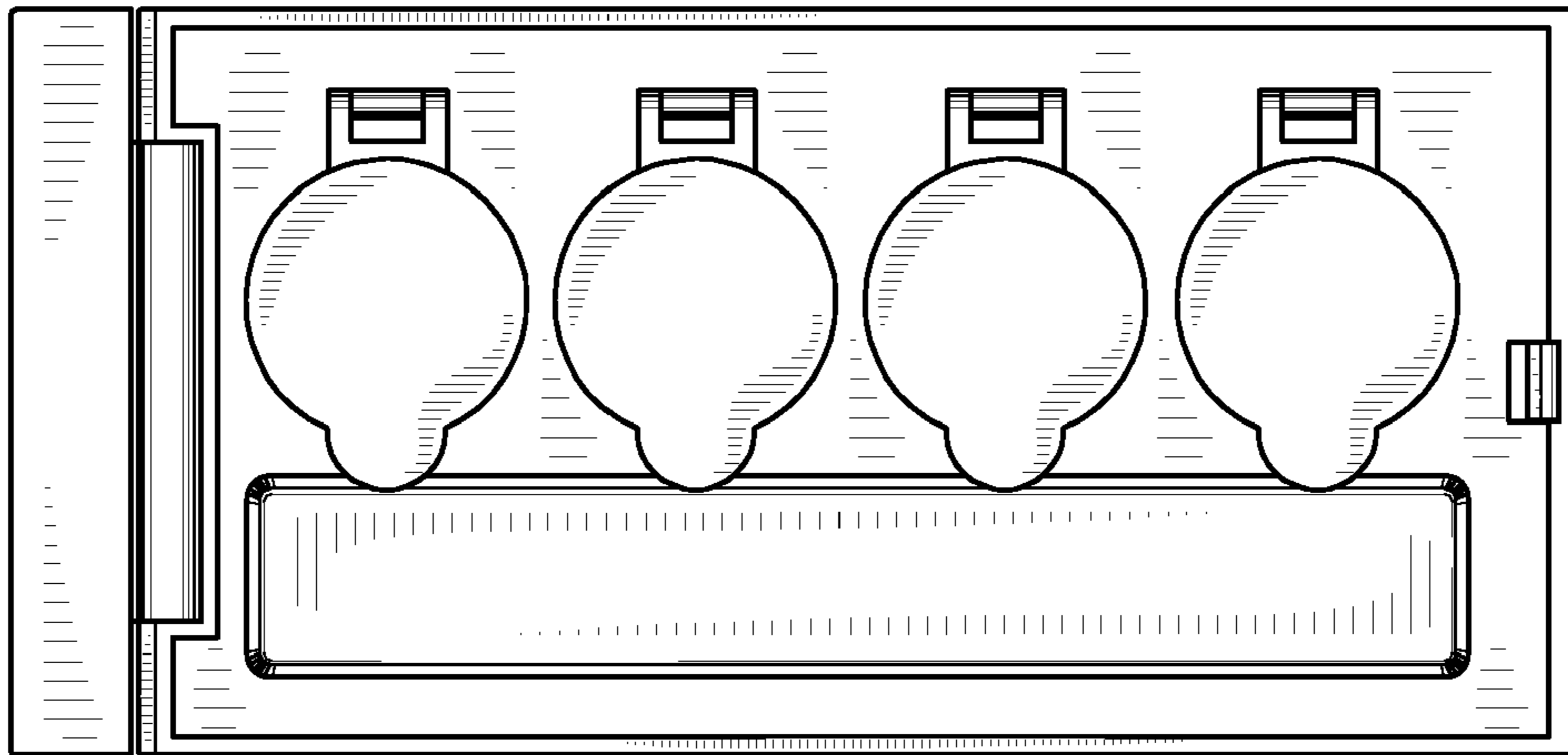


FIG. 7

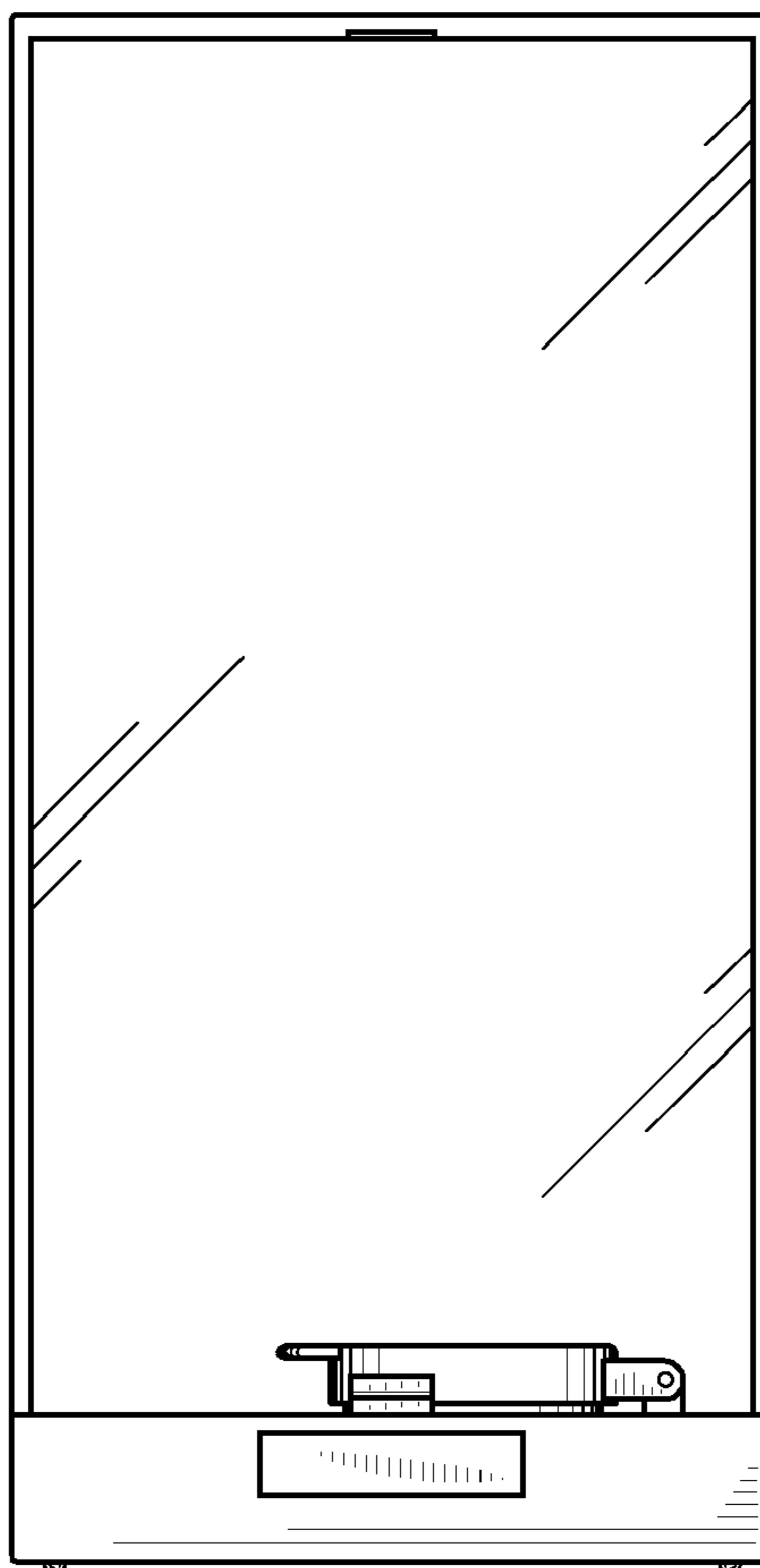
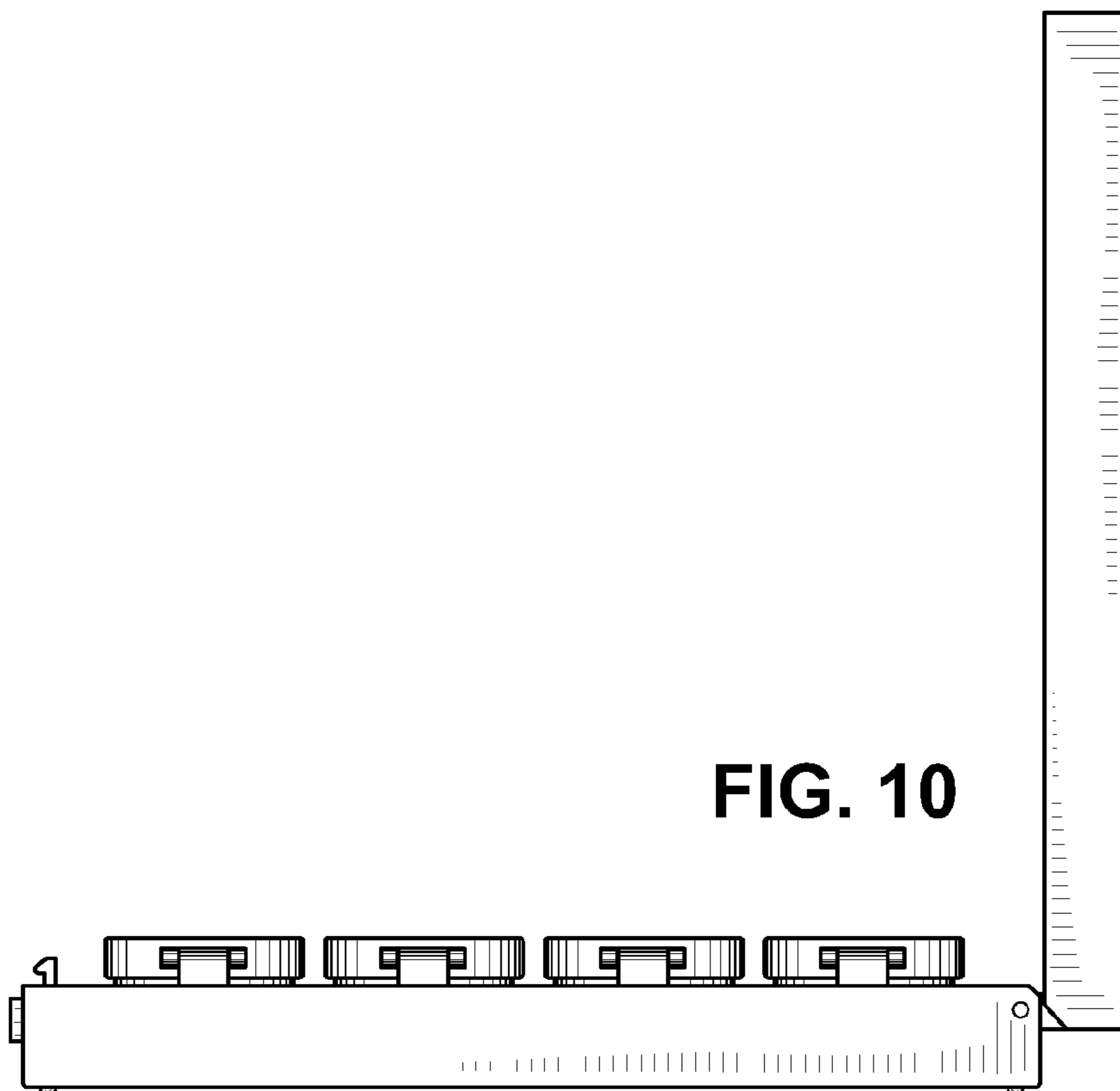
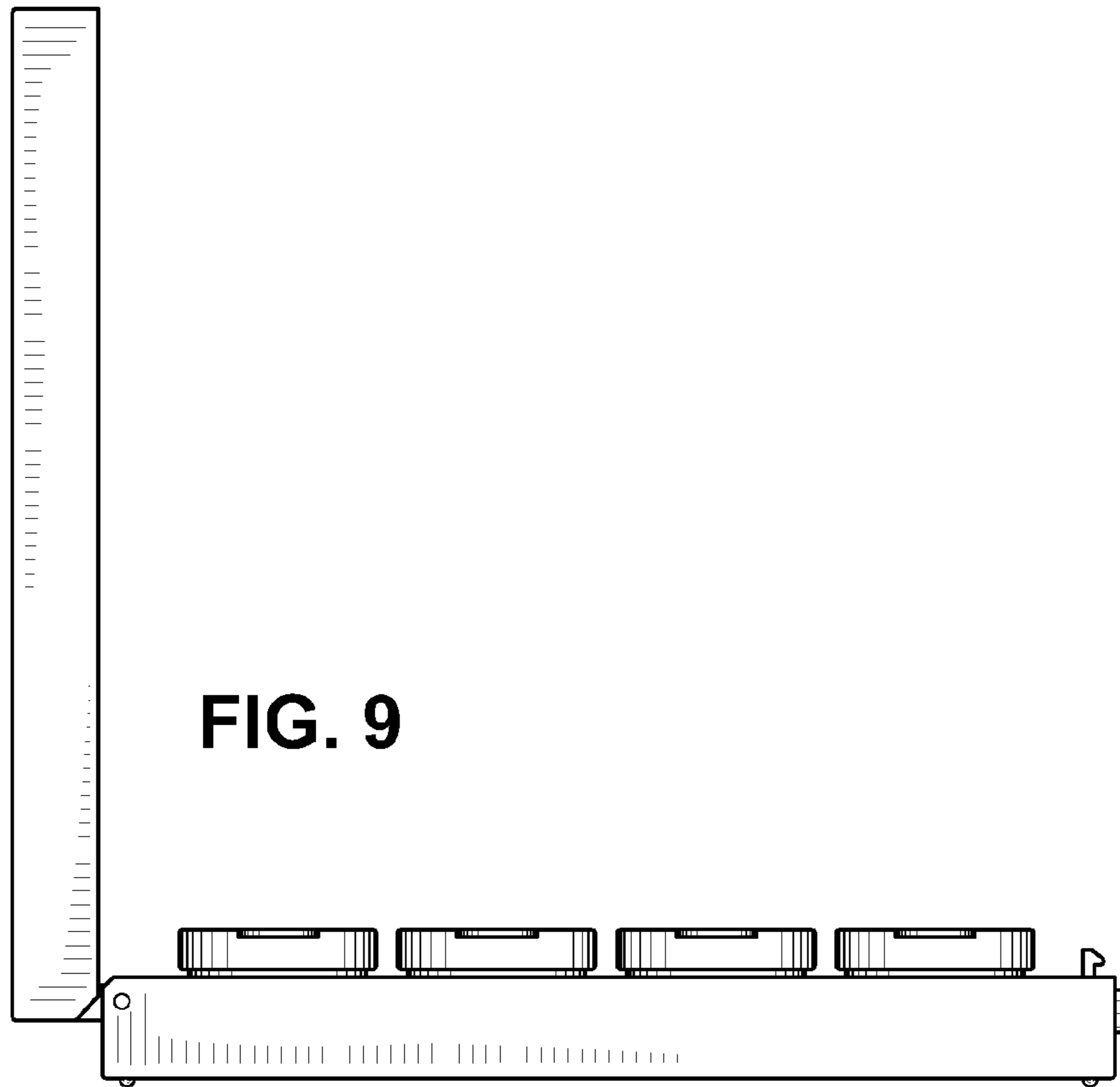


FIG. 8



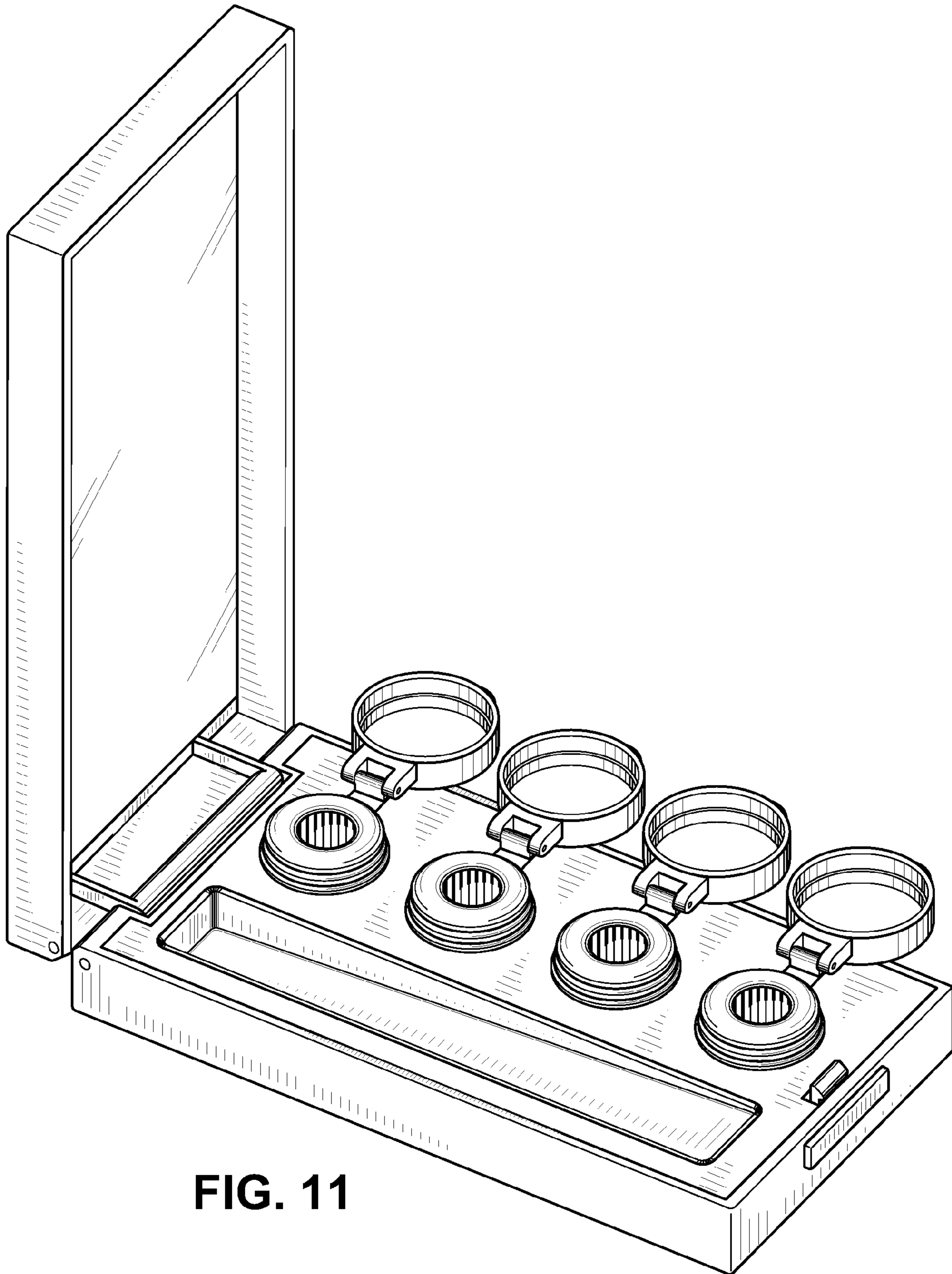


FIG. 11

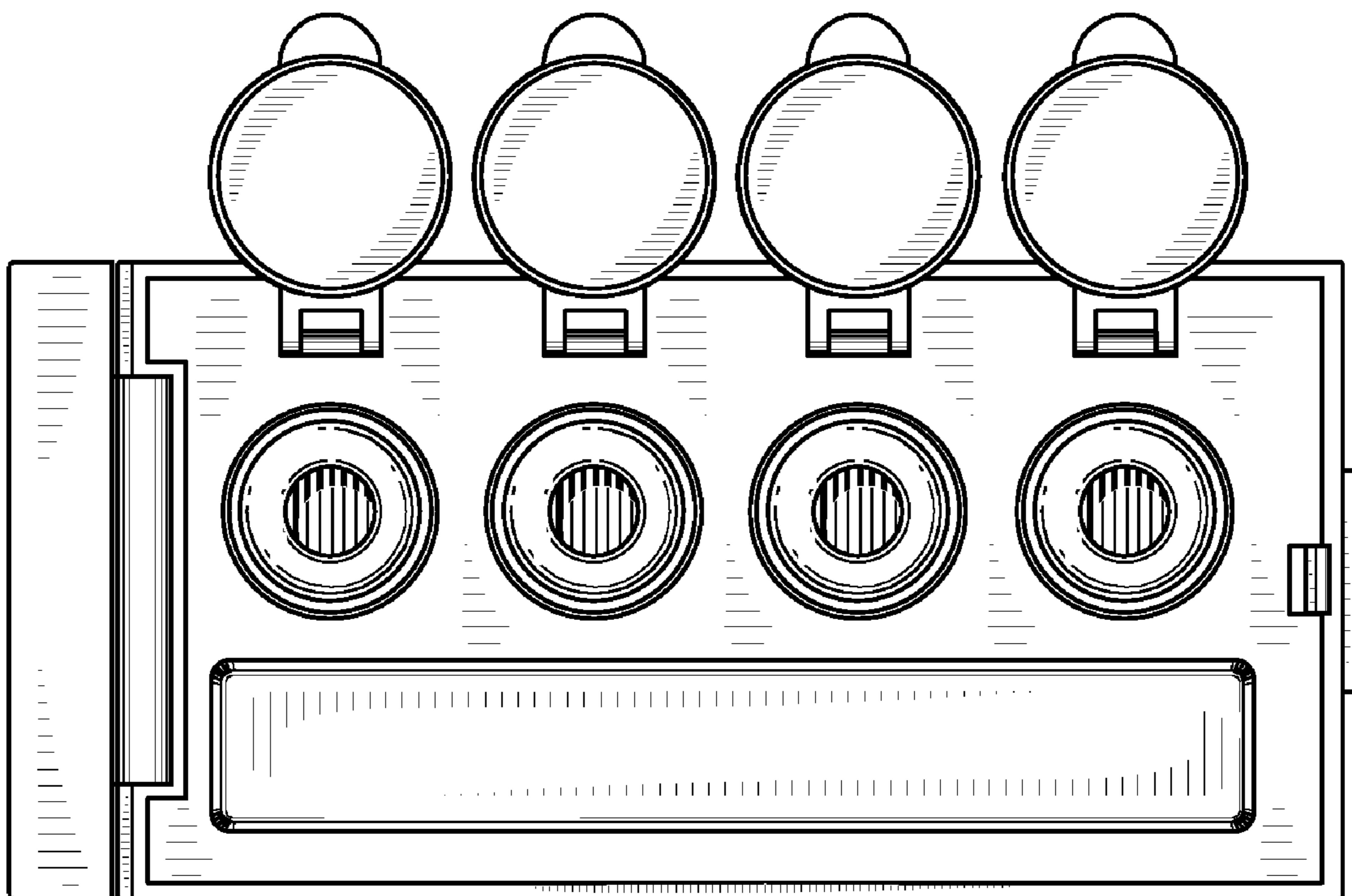


FIG. 12