



US00D583992S

(12) **United States Design Patent**  
**Pichon**

(10) **Patent No.:** **US D583,992 S**

(45) **Date of Patent:** **\*\* Dec. 30, 2008**

(54) **HAIR CLIP**

(75) Inventor: **François C. Pichon**, Oyonnax (FR)

(73) Assignee: **French Fashion (H.K.) Limited**, New Territories (HK)

(\*\*) Term: **14 Years**

(21) Appl. No.: **29/318,412**

(22) Filed: **May 20, 2008**

(51) **LOC (8) Cl.** ..... **28-03**

(52) **U.S. Cl.** ..... **D28/40; D28/39**

(58) **Field of Classification Search** ..... D28/21-34,  
D28/39-43; 132/101, 126, 128-131, 144,  
132/148, 219, 275-284

See application file for complete search history.

(56) **References Cited**

**U.S. PATENT DOCUMENTS**

D293,490 S *	12/1987	Cabiddu	.....	D28/40
D473,015 S *	4/2003	Shyu	.....	D28/40
D536,132 S *	1/2007	Vergona	.....	D28/40
D541,983 S *	5/2007	Au	.....	D28/40
D552,793 S *	10/2007	Pichon	.....	D28/40

D554,288 S *	10/2007	Vergona	.....	D28/40
D561,394 S *	2/2008	Pichon	.....	D28/40
D570,047 S *	5/2008	Vergona	.....	D28/40
2004/0149306 A1 *	8/2004	Rogers	.....	132/277

\* cited by examiner

*Primary Examiner*—Janice E. Seeger

*Assistant Examiner*—Zenita I Bennett

(74) *Attorney, Agent, or Firm*—Rabin & Berdo, P.C.

(57) **CLAIM**

The ornamental design for a hair clip, as shown and described.

**DESCRIPTION**

FIG. 1 is a front view of a hair clip showing my new design; the rear view is a mirror image of the front view;

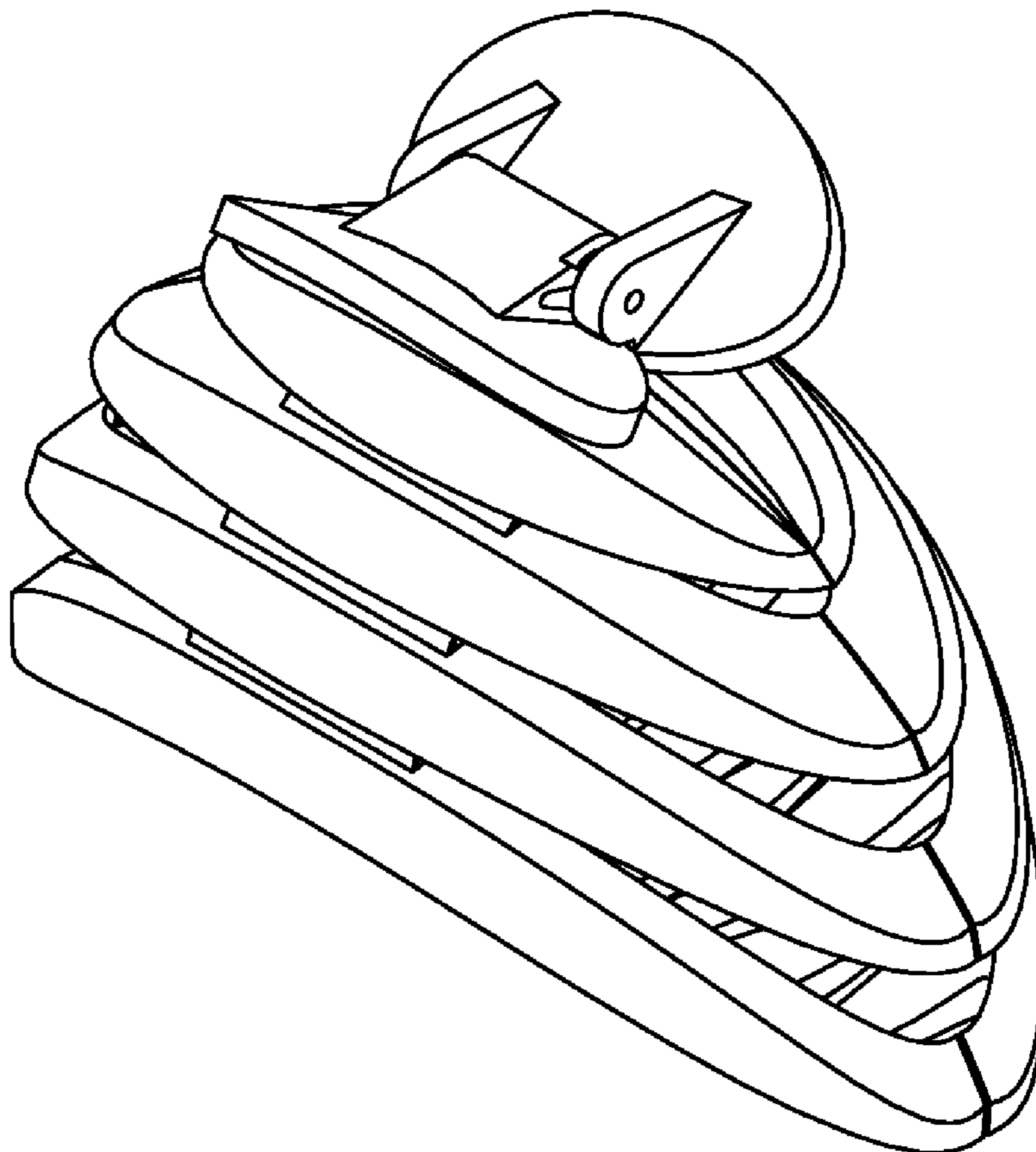
FIG. 2 is a left side view thereof; the right side view is a mirror image of the left side view;

FIG. 3 is a top view thereof;

FIG. 4 is a bottom view thereof; and,

FIG. 5 is a perspective view thereof.

**1 Claim, 1 Drawing Sheet**



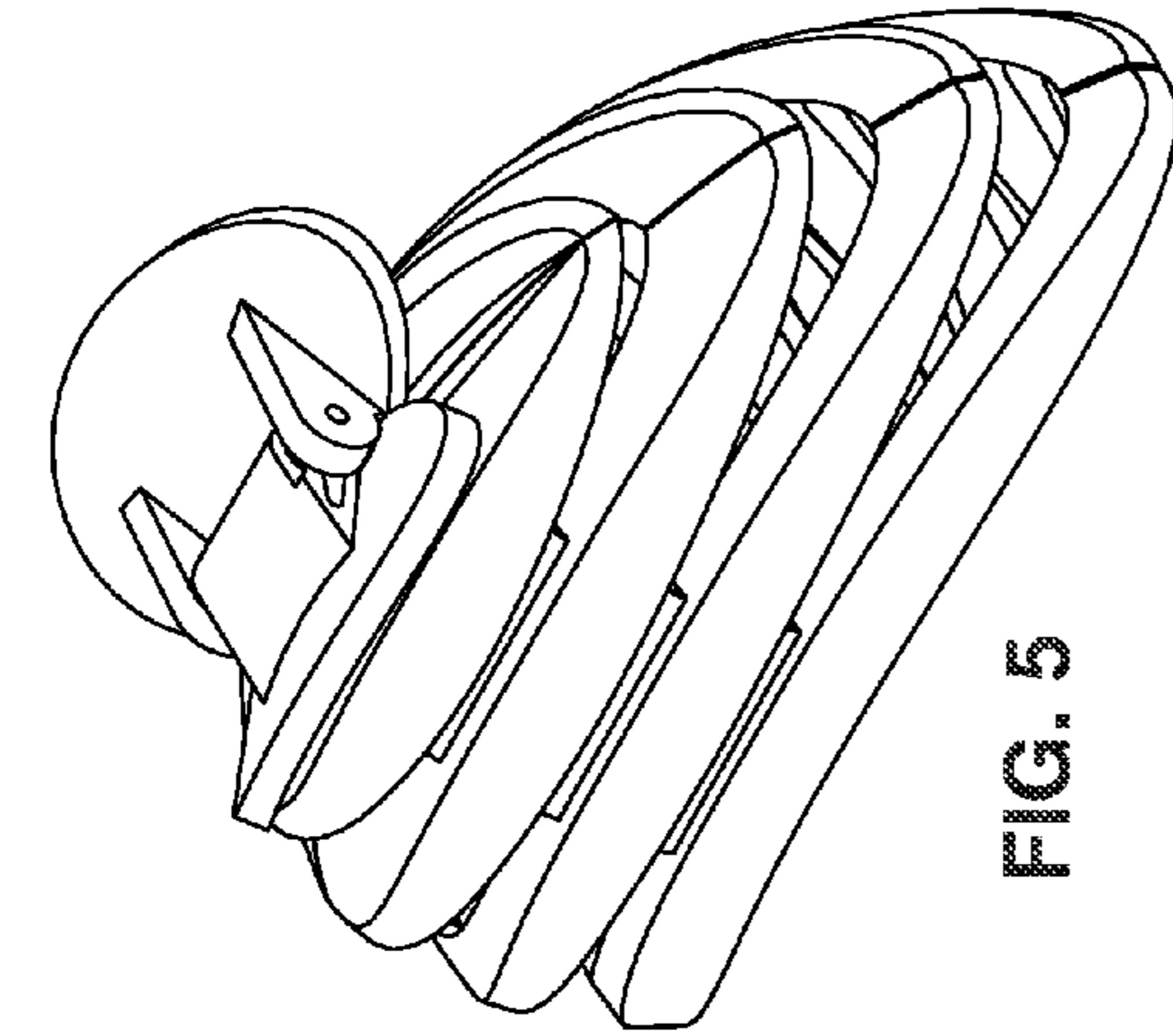


FIG. 5

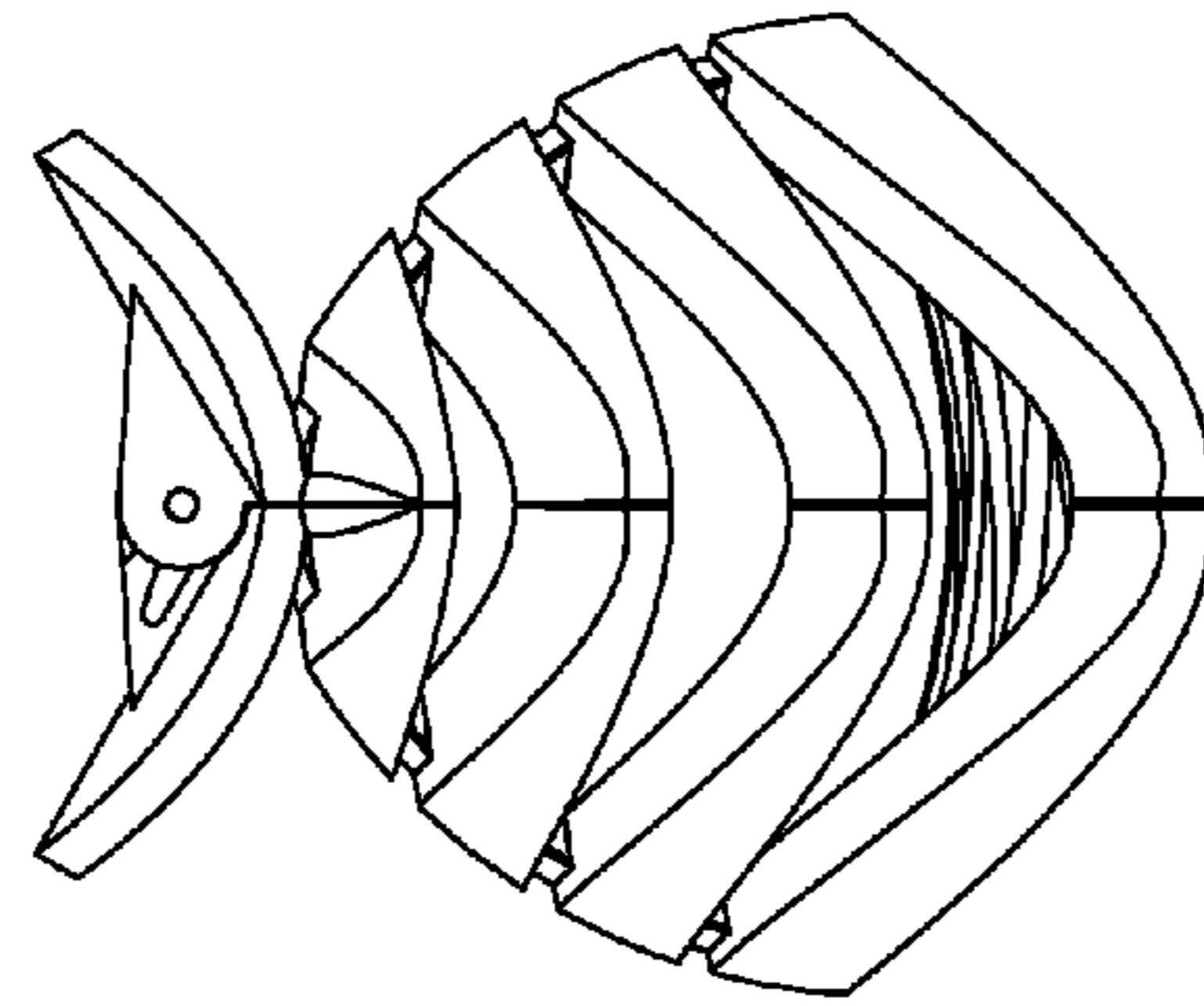


FIG. 2

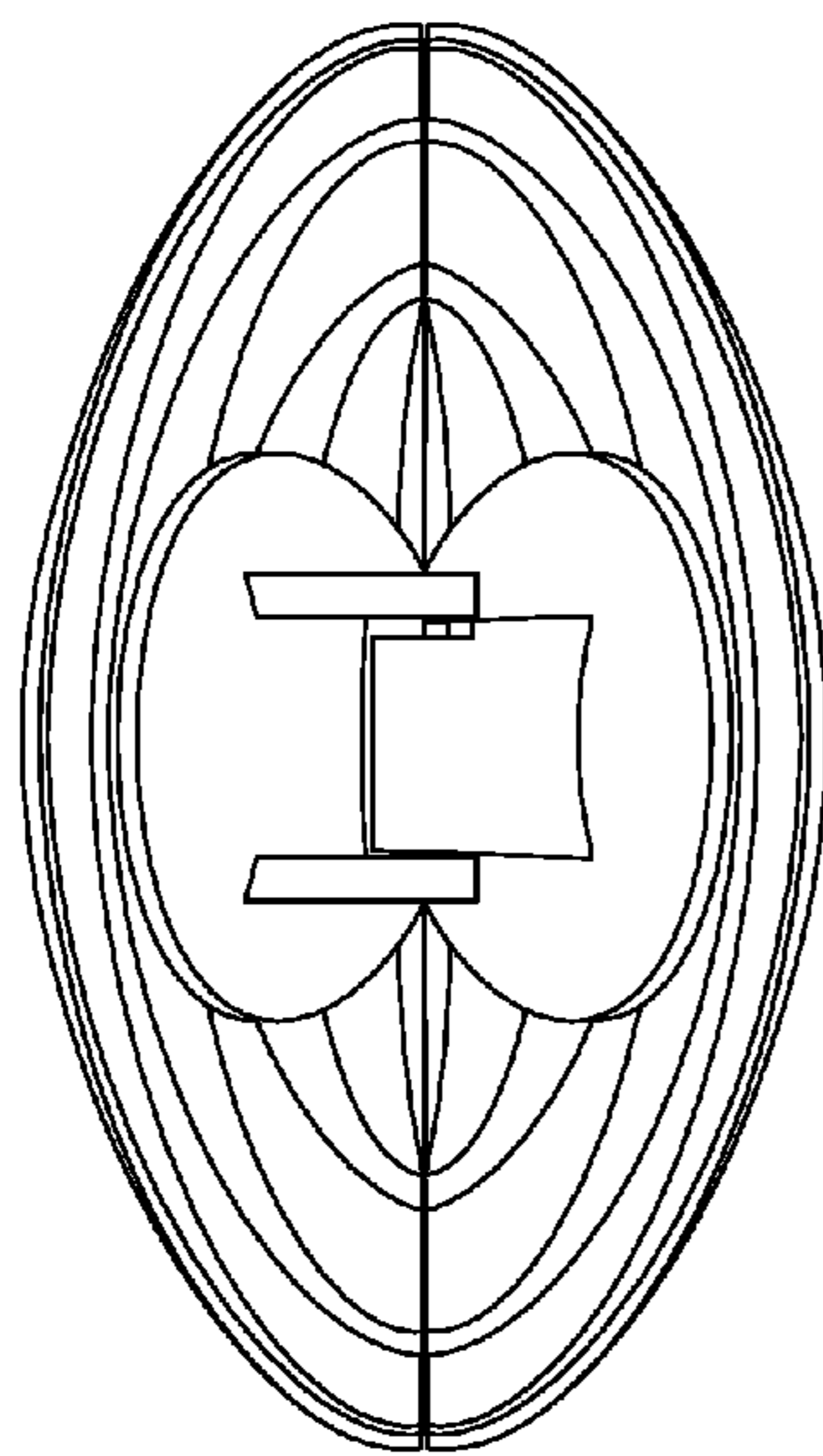


FIG. 3

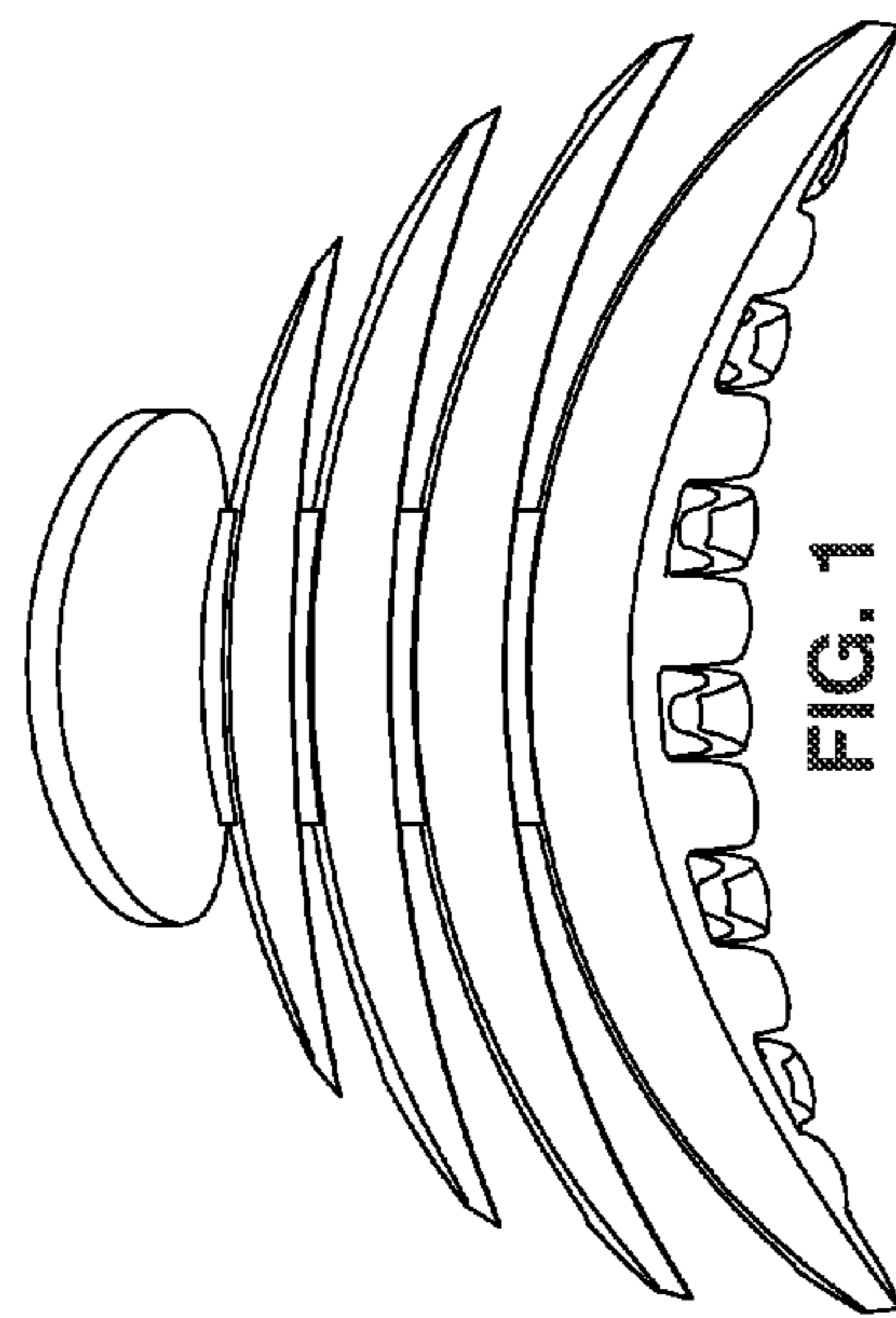


FIG. 1

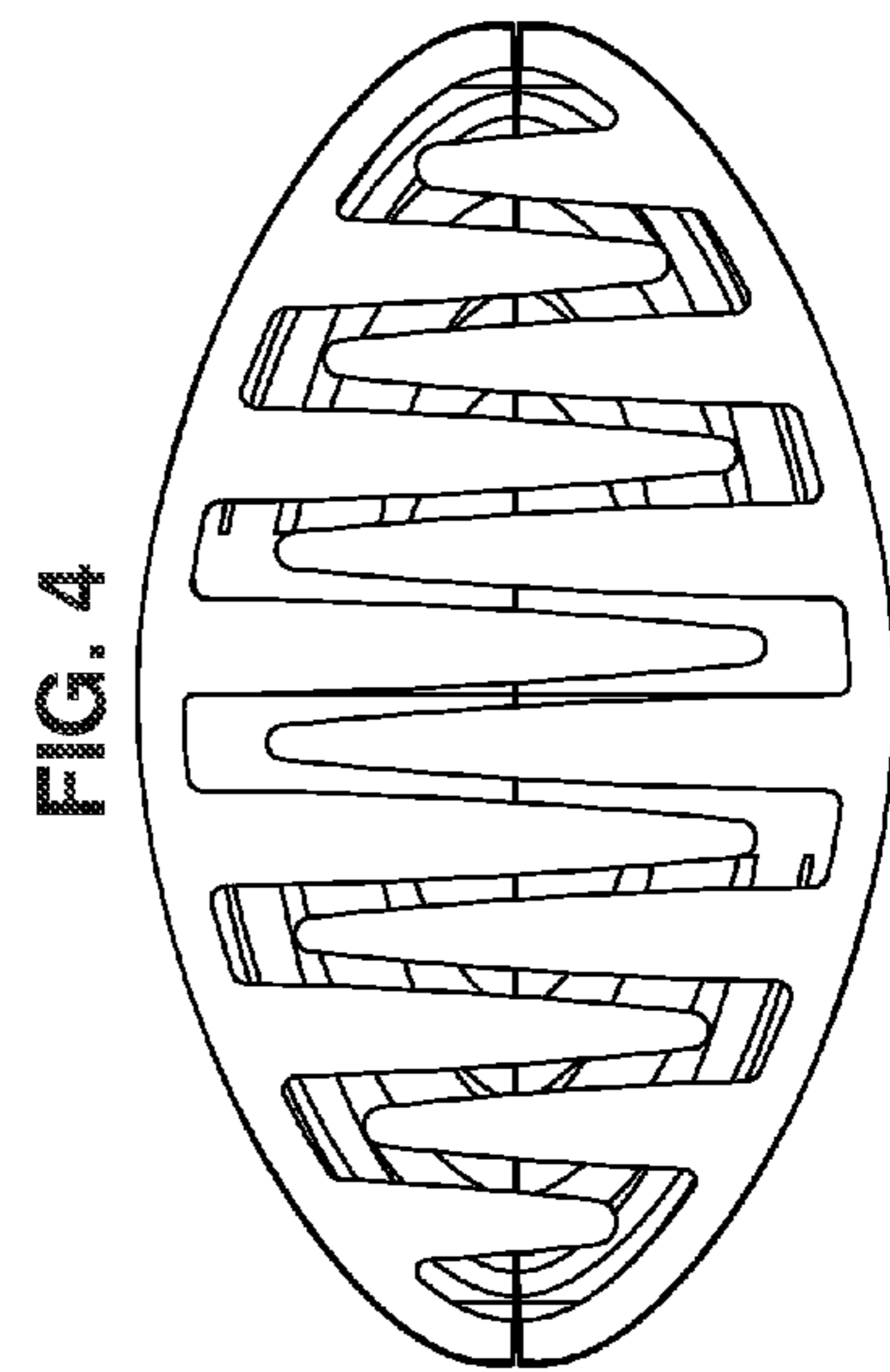


FIG. 4