



US00D583989S

(12) **United States Design Patent**
Khubani

(10) **Patent No.:** **US D583,989 S**
(45) **Date of Patent:** **** Dec. 30, 2008**

(54) **HOLDER FOR A MOUNTABLE LIGHT BULB**

(76) Inventor: **Ajit Khubani**, 55 Chestnut Ridge Rd.,
Saddle River, NJ (US) 07458

(**) Term: **14 Years**

(21) Appl. No.: **29/301,206**

(22) Filed: **Feb. 15, 2008**

Related U.S. Application Data

(63) Continuation of application No. 29/262,619, filed on
Jul. 6, 2006, now Pat. No. Des. 566,875.

(51) **LOC (8) Cl.** **26-99**

(52) **U.S. Cl.** **D26/138**

(58) **Field of Classification Search** D26/60-68,
D26/72-92, 123, 152, 113, 138; 362/47,
362/431, 432, 282, 40, 414, 253, 806, 217-225,
362/298, 410, 418, 419, 427, 269, 275, 150,
362/237, 404-406, 430, 555, 800, 191, 473,
362/362, 368; 431/112

See application file for complete search history.

(56) **References Cited**

U.S. PATENT DOCUMENTS

D47,241 S * 4/1915 Cosgrave D13/134
D83,397 S * 2/1931 Hall D26/92
D88,499 S * 12/1932 Bettencourt D26/92
D88,591 S * 12/1932 Wack D26/92
2,144,745 A 1/1939 Soreng

(Continued)

OTHER PUBLICATIONS

“Coleman: Product - Kryton Table Lamp”, 1 page, [http://www.coleman.com], Jun. 6, 2006.

(Continued)

Primary Examiner—Clare E Heflin

Assistant Examiner—Barbara Fox

(74) *Attorney, Agent, or Firm*—Cooper & Dunham LLP

(57) **CLAIM**

The ornamental design for a holder for a mountable light bulb,
as shown and described.

DESCRIPTION

FIG. 1 is a top view of a holder for a mountable light bulb
showing my new design.

FIG. 2 is a bottom view thereof;

FIG. 3 is a front view thereof;

FIG. 4 is a back view thereof;

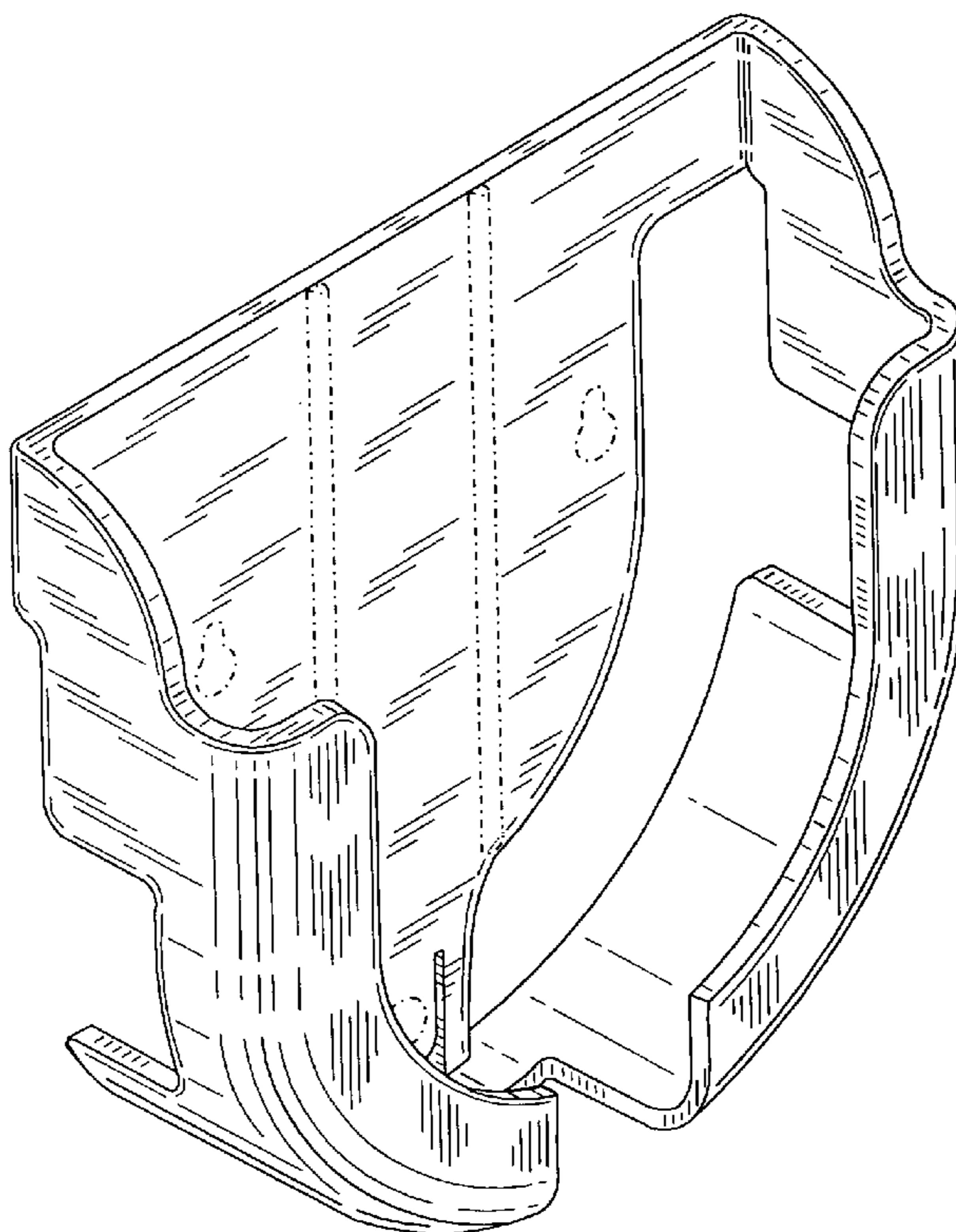
FIG. 5 is a side view thereof;

FIG. 6 is the other side view thereof; and,

FIG. 7 is a perspective view thereof.

The broken lines in FIGS. 1-7 are for illustrative purposes
and form no part of the claimed design.

1 Claim, 3 Drawing Sheets



US D583,989 S

Page 2

U.S. PATENT DOCUMENTS

2,152,187 A	3/1939	Graubner	
D131,951 S	4/1942	Biller	
2,389,762 A	11/1945	Burke	
2,478,129 A	8/1949	Powell	
2,530,069 A	11/1950	Moore	
D169,960 S	7/1953	Brill et al.	
D170,188 S	8/1953	Flood	
2,658,135 A	11/1953	Woolfolk	
D175,007 S	6/1955	Bentsen	
2,732,486 A	1/1956	Osowski	
3,125,300 A	3/1964	Roche	
3,201,742 A	8/1965	English	
3,222,513 A	12/1965	De Feo	
D221,893 S	9/1971	Peasley	
D225,370 S	12/1972	Peasley	
3,757,107 A	9/1973	Peasley	
D228,795 S	10/1973	Peasley	
3,950,727 A	4/1976	Smith	
4,032,774 A	6/1977	Spicer	
4,079,243 A	3/1978	Pemberton	
4,099,222 A	7/1978	Cornell et al.	
4,186,429 A	1/1980	Johnston	
4,320,439 A *	3/1982	Wiley	362/3
4,385,346 A	5/1983	Spicer	
4,414,611 A	11/1983	Seltzer et al.	
4,533,982 A	8/1985	Kozar	
4,620,177 A	10/1986	Hatanaka et al.	
4,692,845 A	9/1987	Widhalm et al.	
4,866,580 A	9/1989	Blackerby	
D307,806 S	5/1990	Byar et al.	
5,028,911 A	7/1991	Wanat et al.	
5,077,643 A	12/1991	Leach	
5,136,475 A	8/1992	McDermott	
D335,718 S	5/1993	Maglica et al.	
5,388,741 A *	2/1995	Hillinger	224/679
5,446,345 A	8/1995	Halabi et al.	
5,544,022 A	8/1996	Blackard	
D388,395 S	12/1997	Henrici	
5,820,254 A	10/1998	Duenas	
D401,367 S *	11/1998	DeLay	D26/26
D408,938 S	4/1999	Miyatake	
5,984,495 A	11/1999	Roberts et al.	
D417,653 S *	12/1999	Henrici	D13/134
6,007,216 A	12/1999	Donnelly	
D431,319 S	9/2000	Hiller et al.	
D434,512 S	11/2000	Yuen	
D436,196 S	1/2001	Chan et al.	
D437,070 S *	1/2001	Swensson et al.	D26/59
D439,001 S	3/2001	Pan	
6,461,010 B1	10/2002	Knight et al.	
6,626,555 B2	9/2003	Yaeger	
6,923,551 B2	8/2005	Galli	
6,932,186 B2	8/2005	Costa et al.	
7,014,459 B2	3/2006	Long	
7,036,627 B2	5/2006	Costa et al.	
D544,388 S *	6/2007	Chisholm	D10/114
D563,588 S	3/2008	Mullen	
D569,030 S *	5/2008	Lee	D26/85
2002/0067611 A1 *	6/2002	Yaeger	362/184
2002/0067622 A1	6/2002	Walck et al.	
2002/0145868 A1	10/2002	Barton	
2004/0105279 A1	6/2004	Liu et al.	
2004/0252494 A1 *	12/2004	Parsons et al.	362/191
2005/0018420 A1 *	1/2005	Parsons	362/190
2005/0018421 A1	1/2005	Parsons	
2005/0270770 A1	12/2005	Warrender et al.	
2007/0211481 A1 *	9/2007	Cooper et al.	362/392
2007/0291477 A1	12/2007	Khubani	

OTHER PUBLICATIONS

“Taylor Gifts: Product - Cordless Jumbo Lightbulb”, 3 pages, [<http://www.taylorgifts.com>], Sep. 29, 2006.

* cited by examiner

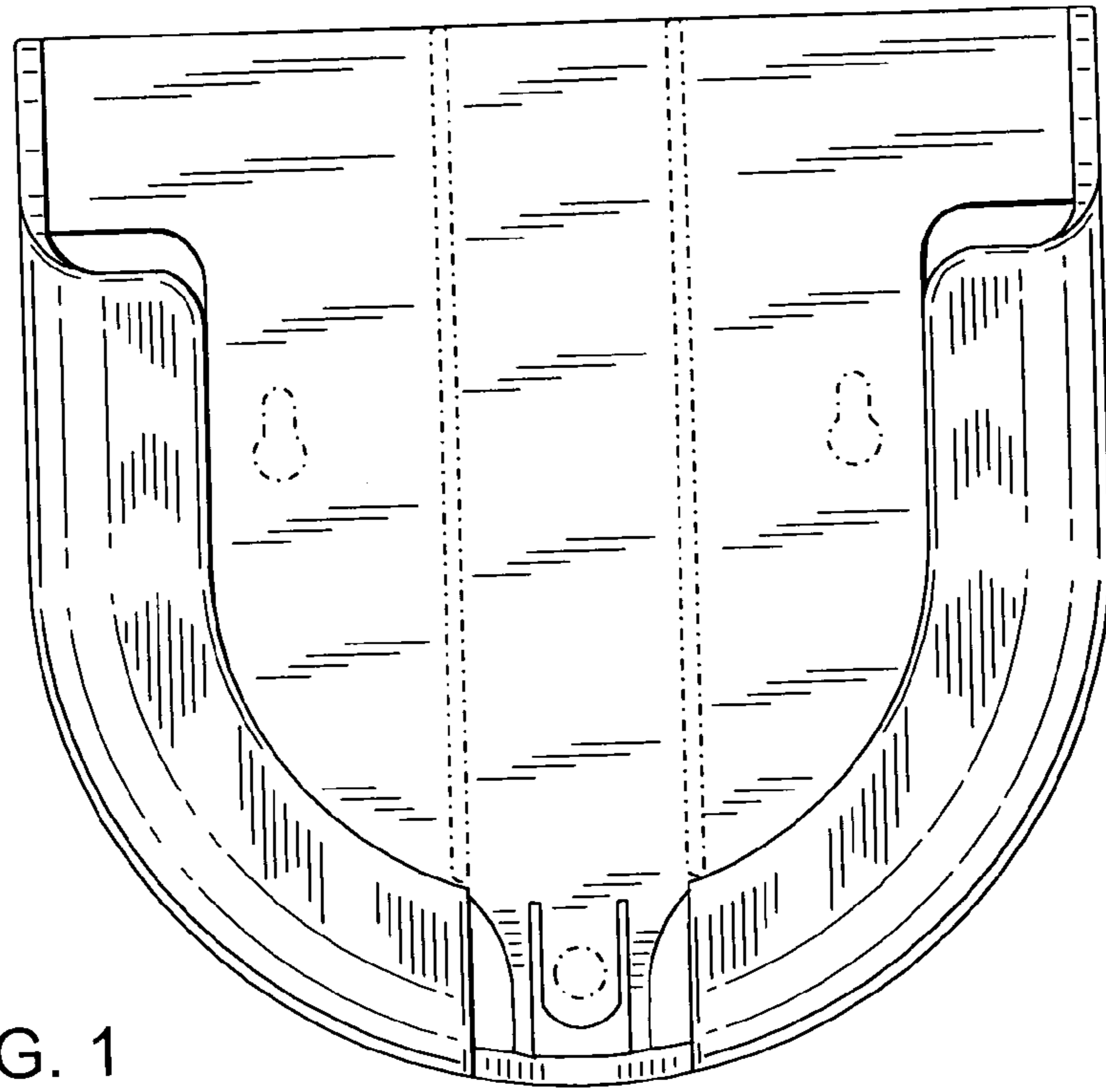


FIG. 1

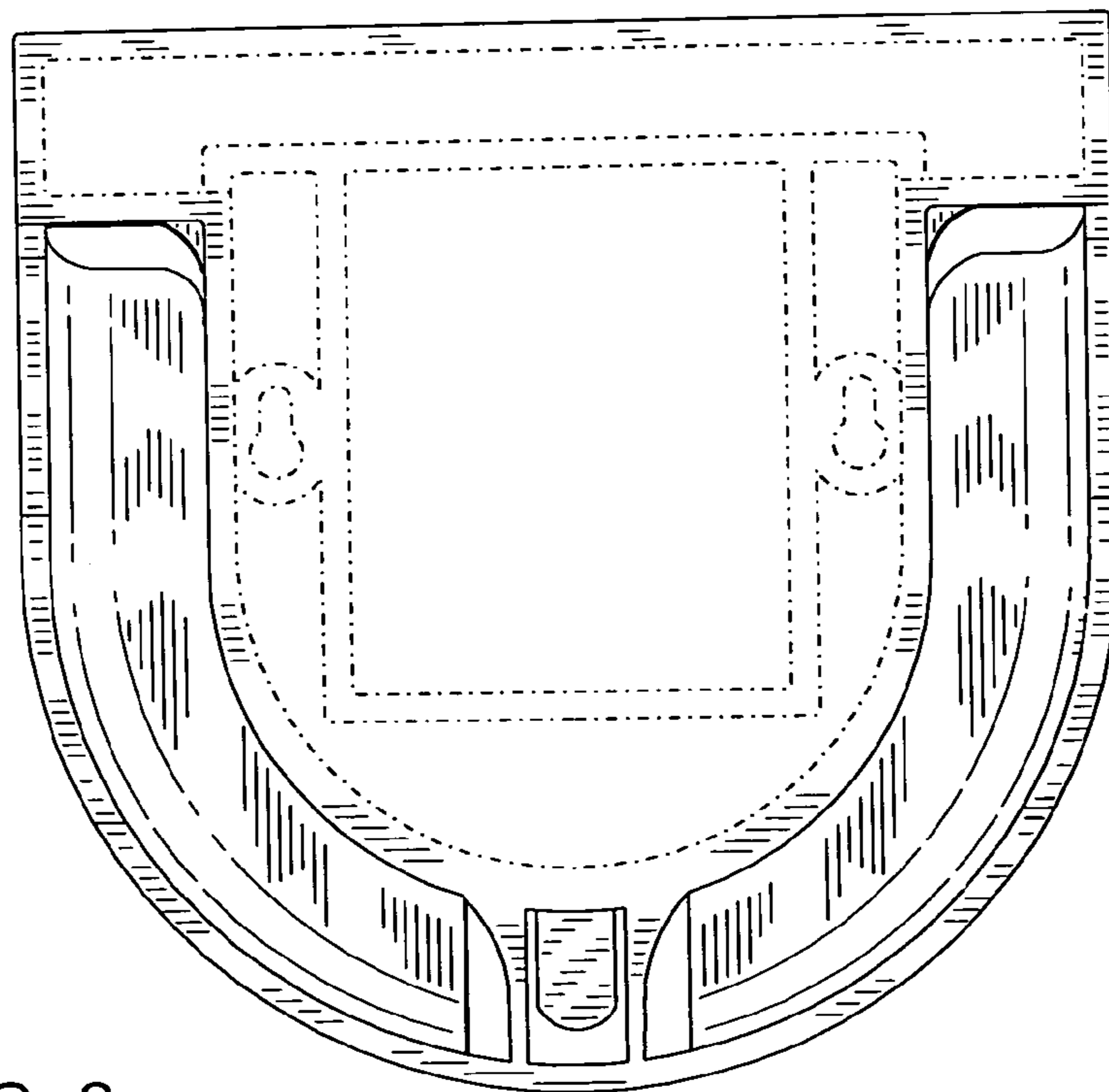


FIG. 2

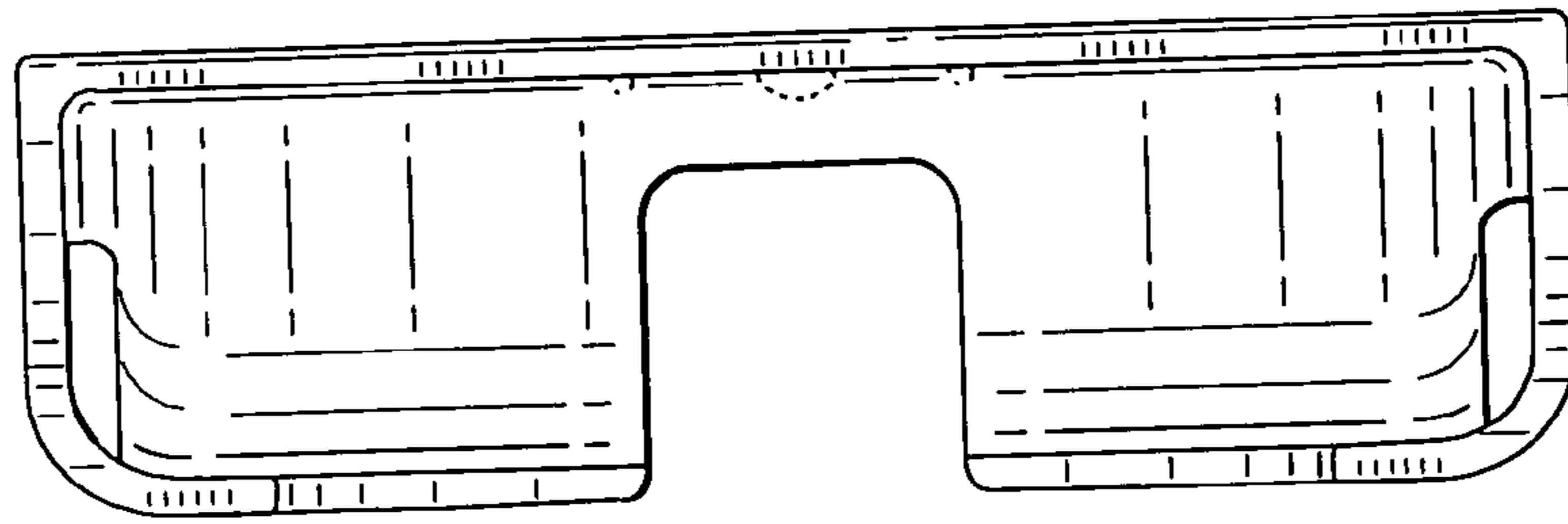


FIG. 3

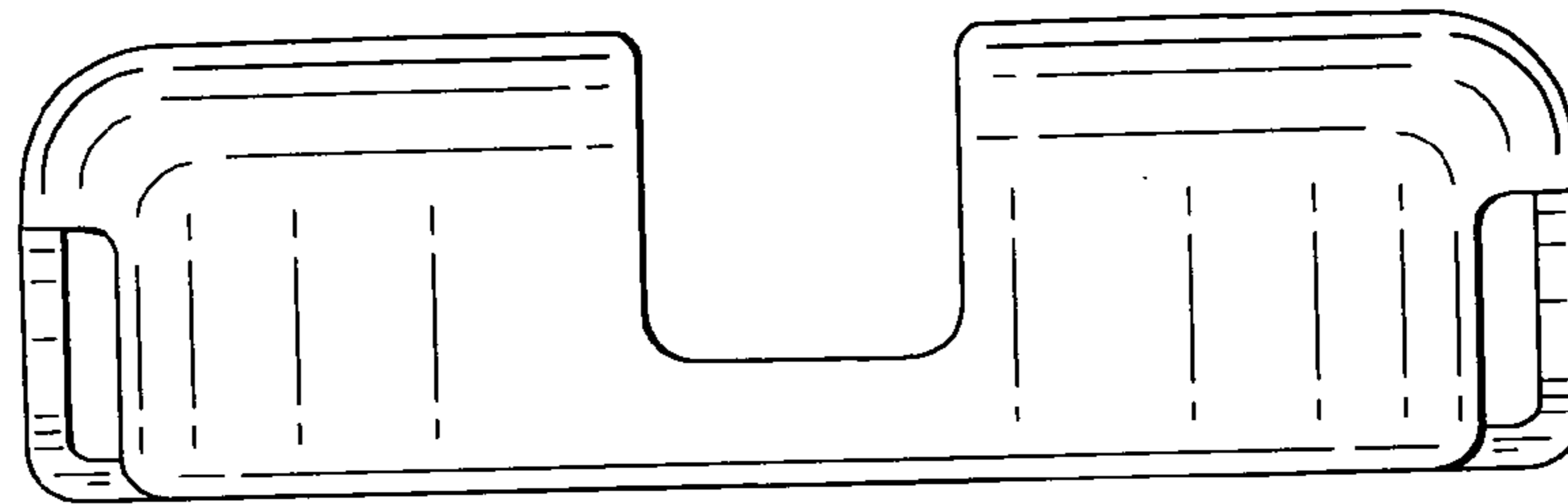


FIG. 4

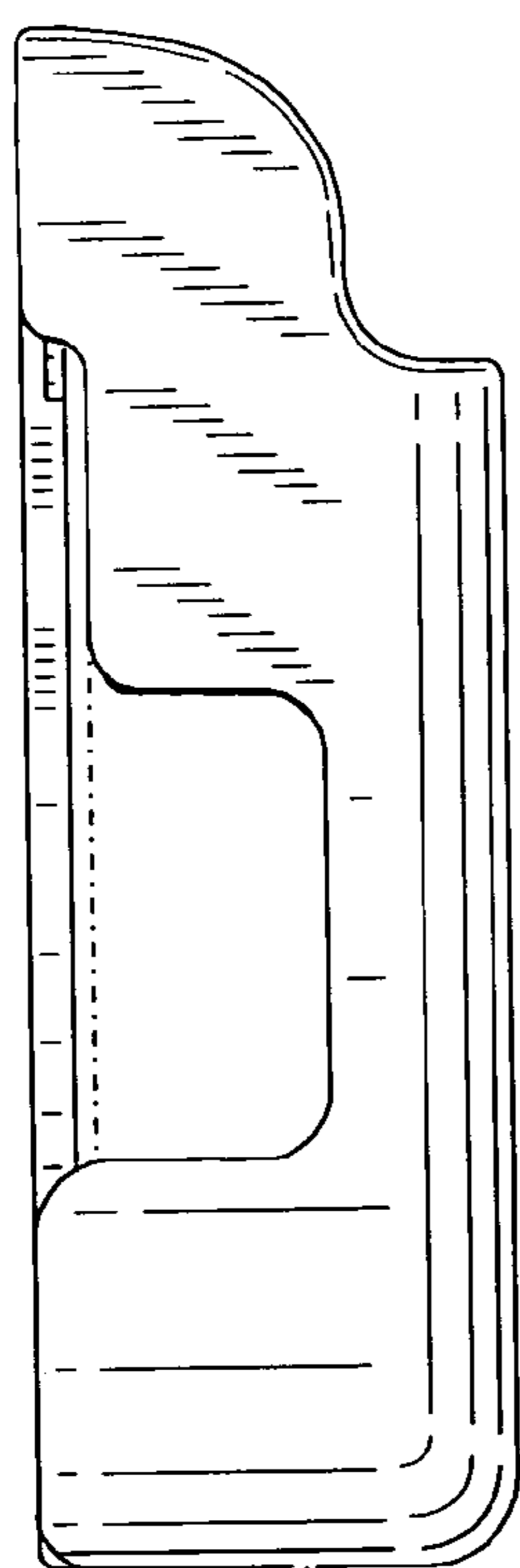


FIG. 5

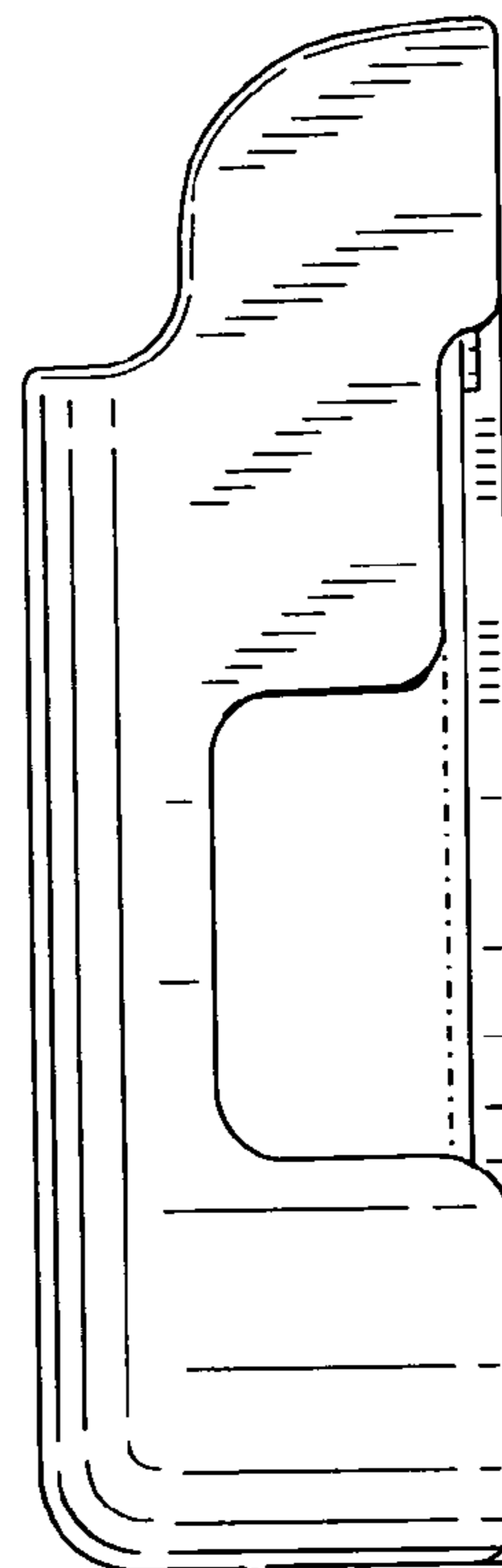


FIG. 6

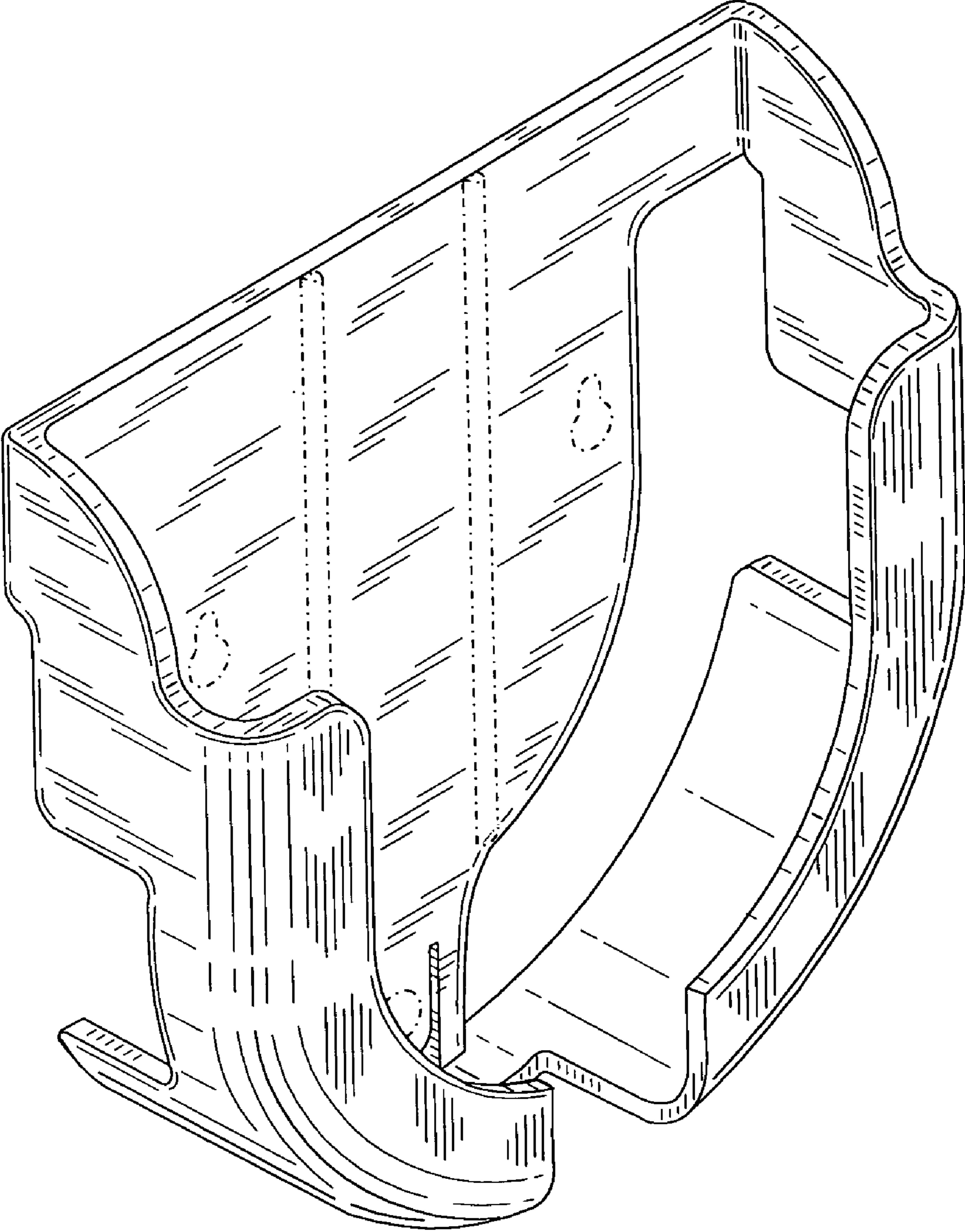


FIG. 7