



US00D583988S

(12) **United States Design Patent**  
**Sandell**

(10) **Patent No.:** **US D583,988 S**  
(45) **Date of Patent:** **\*\* Dec. 30, 2008**

(54) **BEZEL FOR WIDE-ANGLE WORKLIGHT**

6,921,185 B2 \* 7/2005 Monroe et al. .... 362/375

(75) Inventor: **Donald R. Sandell**, San Jose, CA (US)

(73) Assignee: **EML Technologies LLC**, Danville, CA (US)

(\*\*) Term: **14 Years**

(21) Appl. No.: **29/280,981**

(22) Filed: **Jun. 12, 2007**

(51) **LOC (8) Cl.** ..... **26-99**

(52) **U.S. Cl.** ..... **D26/138**

(58) **Field of Classification Search** ..... D26/50,  
D26/63, 138, 121, 118, 128, 156, 113, 24,  
D26/25, 60, 122, 120, 119, 111, 91, 79, 74,  
D26/72, 68, 61, 62, 67, 155, 123, 124, 129,  
D26/137, 139, 140, 141, 142, 150, 151, 152,  
D26/153; 362/153, 153.1, 427, 261, 346,  
362/121, 147, 277, 285, 319, 320, 351, 356,  
362/359, 364, 365

See application file for complete search history.

(56) **References Cited**

**U.S. PATENT DOCUMENTS**

D134,349 S	*	11/1942	Cadwallader	.....	D26/120
D197,908 S	*	4/1964	Chaffee	.....	D24/210
D217,694 S	*	5/1970	Newman	.....	D26/122
D259,813 S	*	7/1981	Downing	.....	D26/24
D369,227 S		4/1996	Sumer		
D385,640 S		10/1997	Leen		
D403,094 S	*	12/1998	Grossman et al.	.....	D26/63
D403,455 S	*	12/1998	Duennes	.....	D26/50
D438,667 S		3/2001	Leen		
D450,149 S		11/2001	Leen		
6,328,460 B1	*	12/2001	Grossman et al.	.....	362/427
D461,018 S		7/2002	Leen		
D492,433 S	*	6/2004	Leen	.....	D26/40
D493,554 S		7/2004	Leen		

**OTHER PUBLICATIONS**

“Wide Angle Worklights,” The Designers Edge 2005 Product Catalog, published prior to Jan. 1, 2007, p. 9.

\* cited by examiner

*Primary Examiner*—Freda S. Nunn

*Assistant Examiner*—Kevin K Rudzinski

(74) *Attorney, Agent, or Firm*—Elliot B. Aronson

(57) **CLAIM**

The ornamental design for a bezel for wide-angle worklight, as shown and described.

**DESCRIPTION**

FIG. 1 is an overall perspective view of a bezel for wide-angle worklight showing my new design.

FIG. 2 is a front elevational view of the bezel of FIG. 1.

FIG. 3 is a rear elevational view thereof; the broken line portion depicting the worklight body and knobs is omitted. The rear face of the bezel in the worklight contains no elements of the claimed design and is not visible in ordinary use.

FIG. 4 is a top plan view thereof; the broken line portion depicting the worklight handle is omitted.

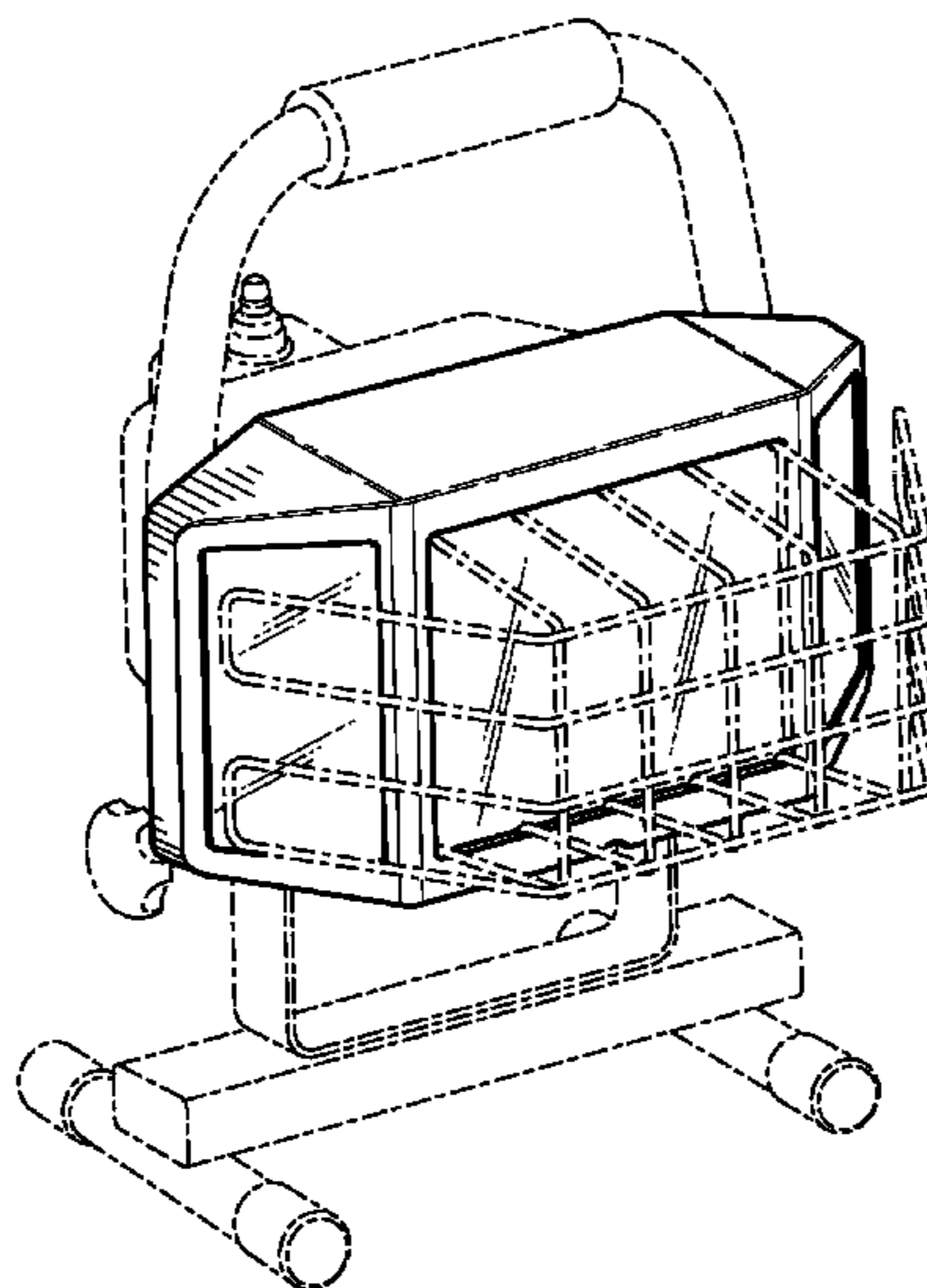
FIG. 5 is a right elevational view thereof, the left elevational view being a mirror image thereof; the broken line portion depicting the worklight handle and knobs is omitted; and,

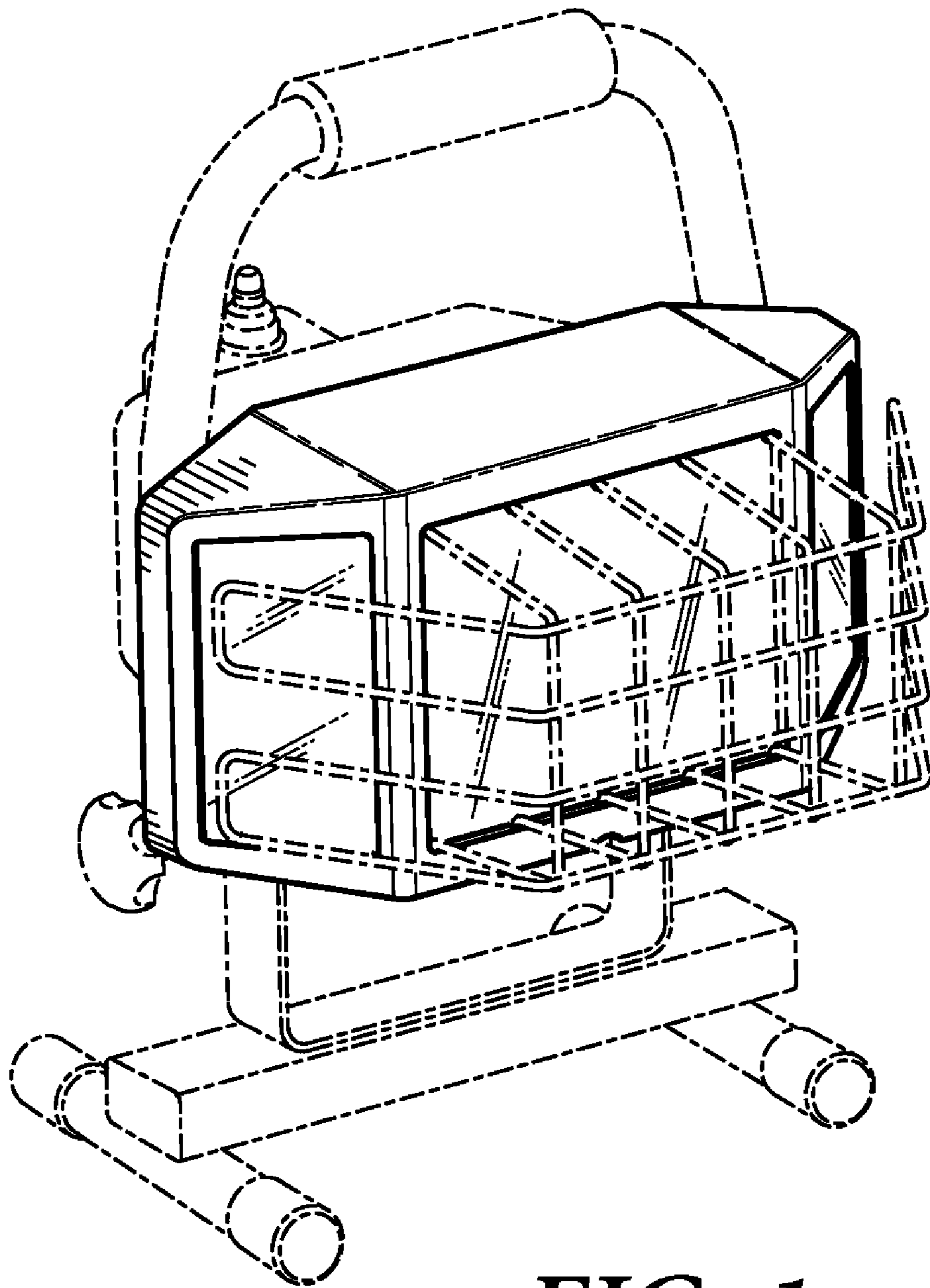
FIG. 6 is a bottom plan view thereof; the broken line portion depicting the worklight stand and knobs is omitted.

The broken lines showing the body, base, handle and knobs of the work light are included for the purpose of illustrating environmental structure and form no part of the claimed design.

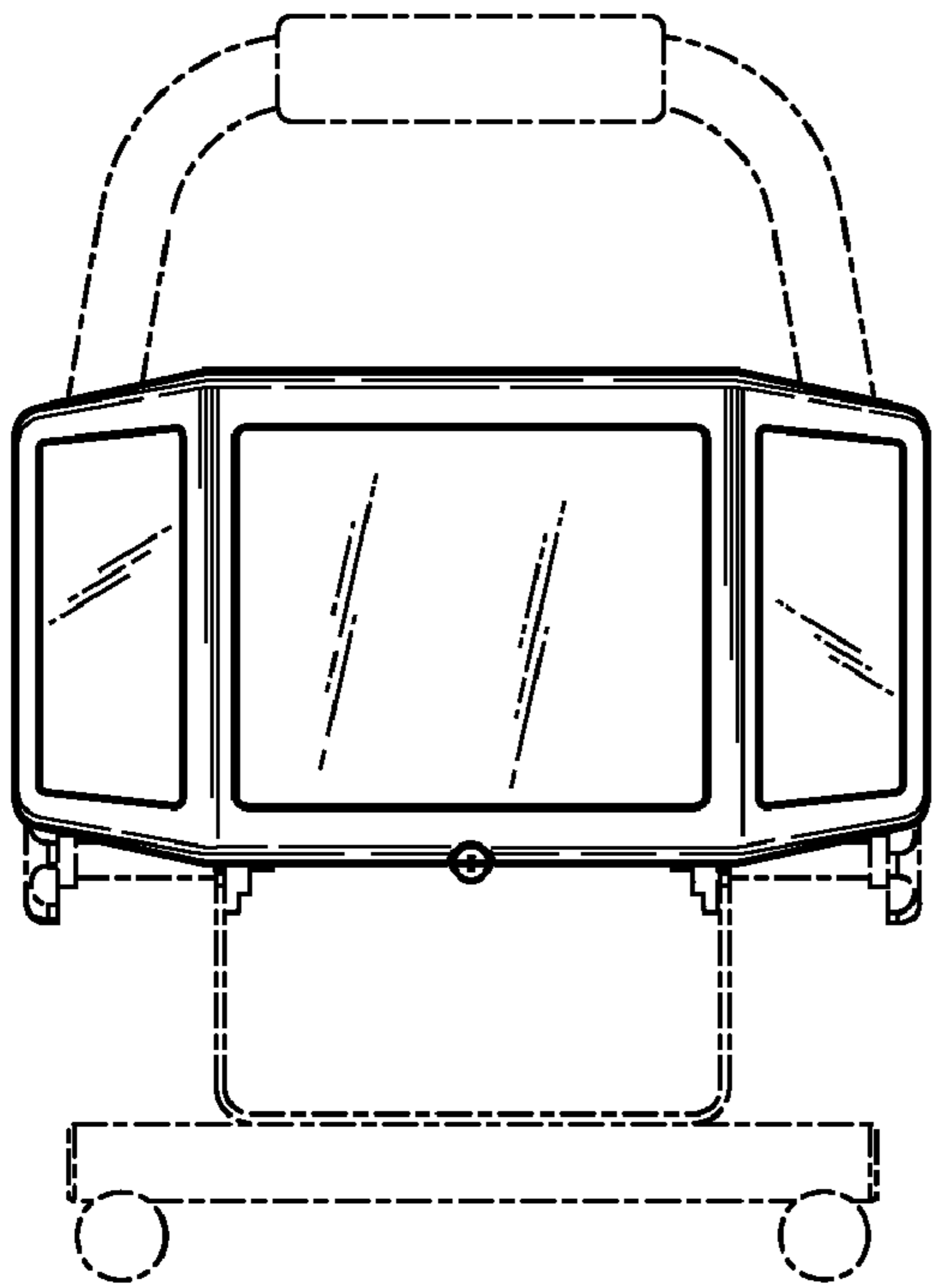
The broken lines in the Figures are directed to environmental structure and are for illustrative purposes only; the broken lines form no part of the claimed design.

**1 Claim, 3 Drawing Sheets**

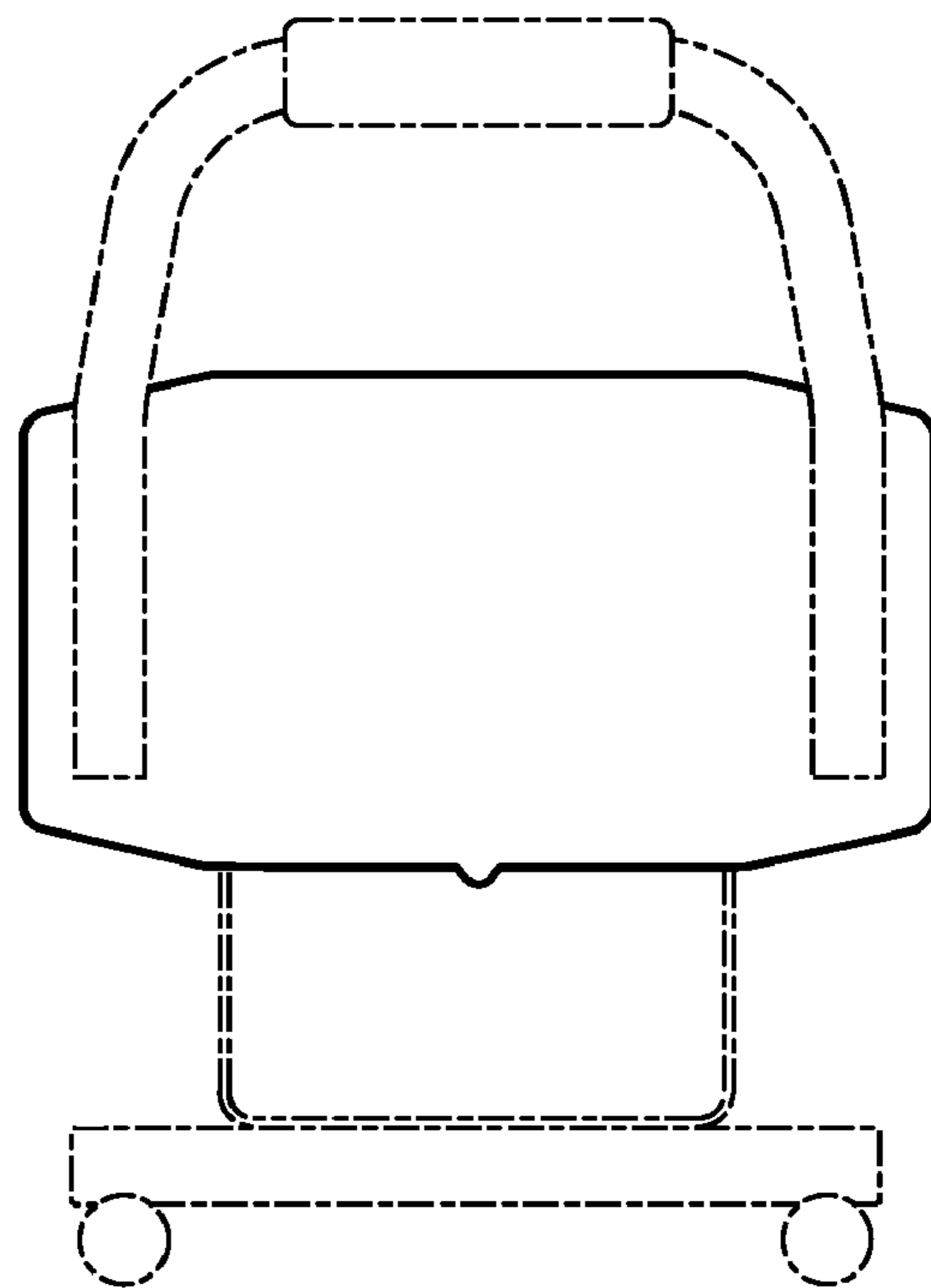




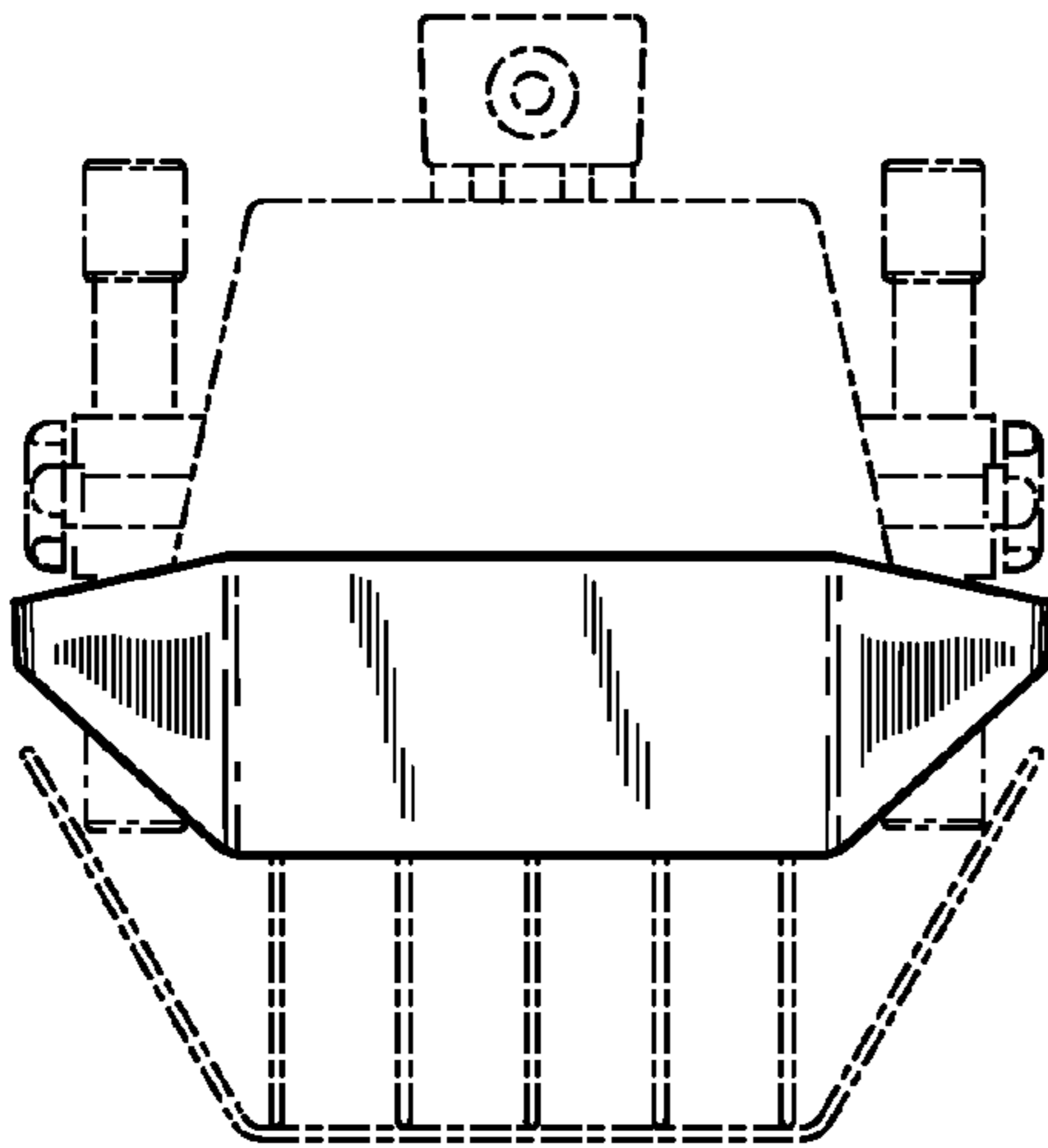
**FIG. 1**



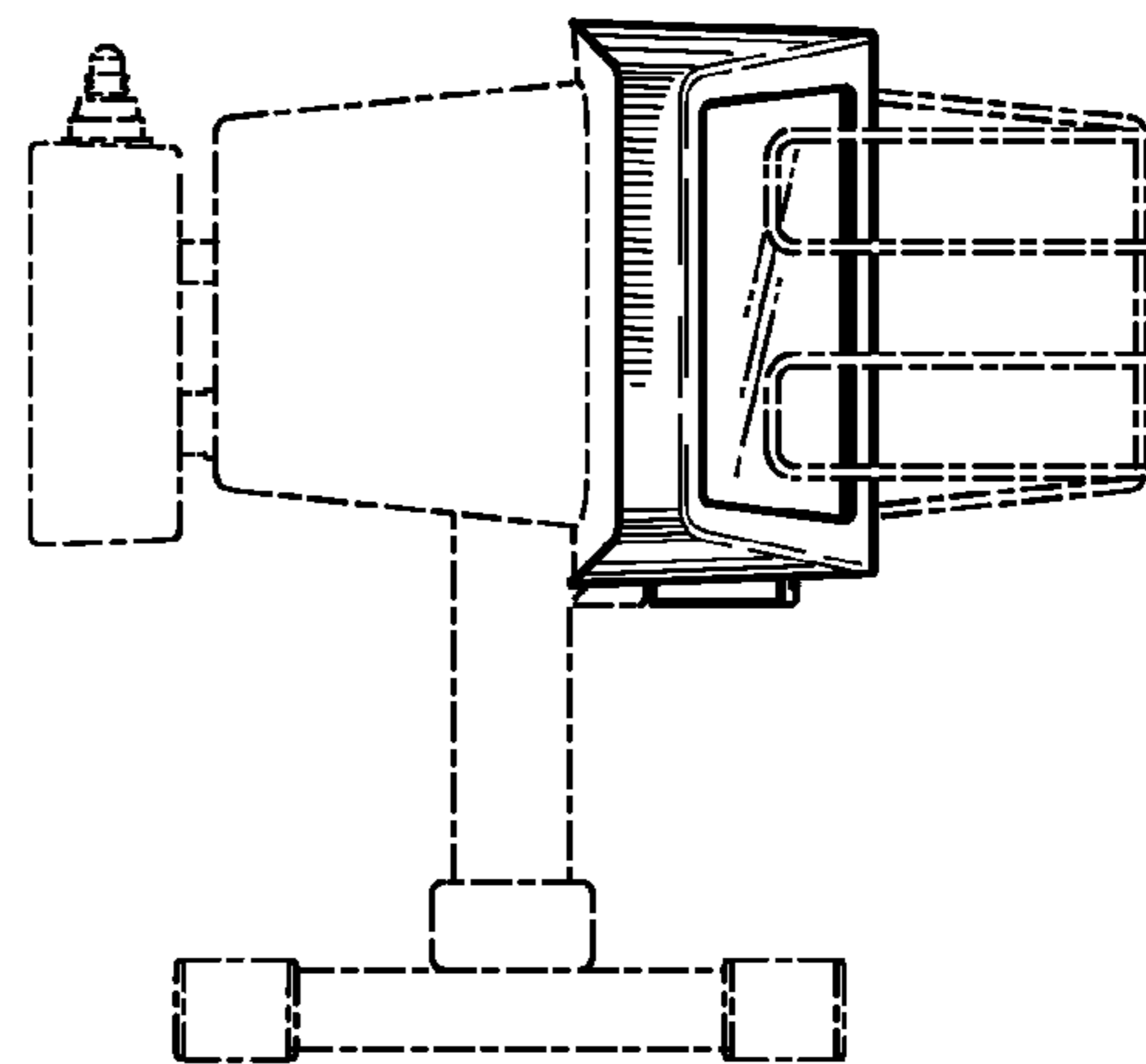
**FIG. 2**



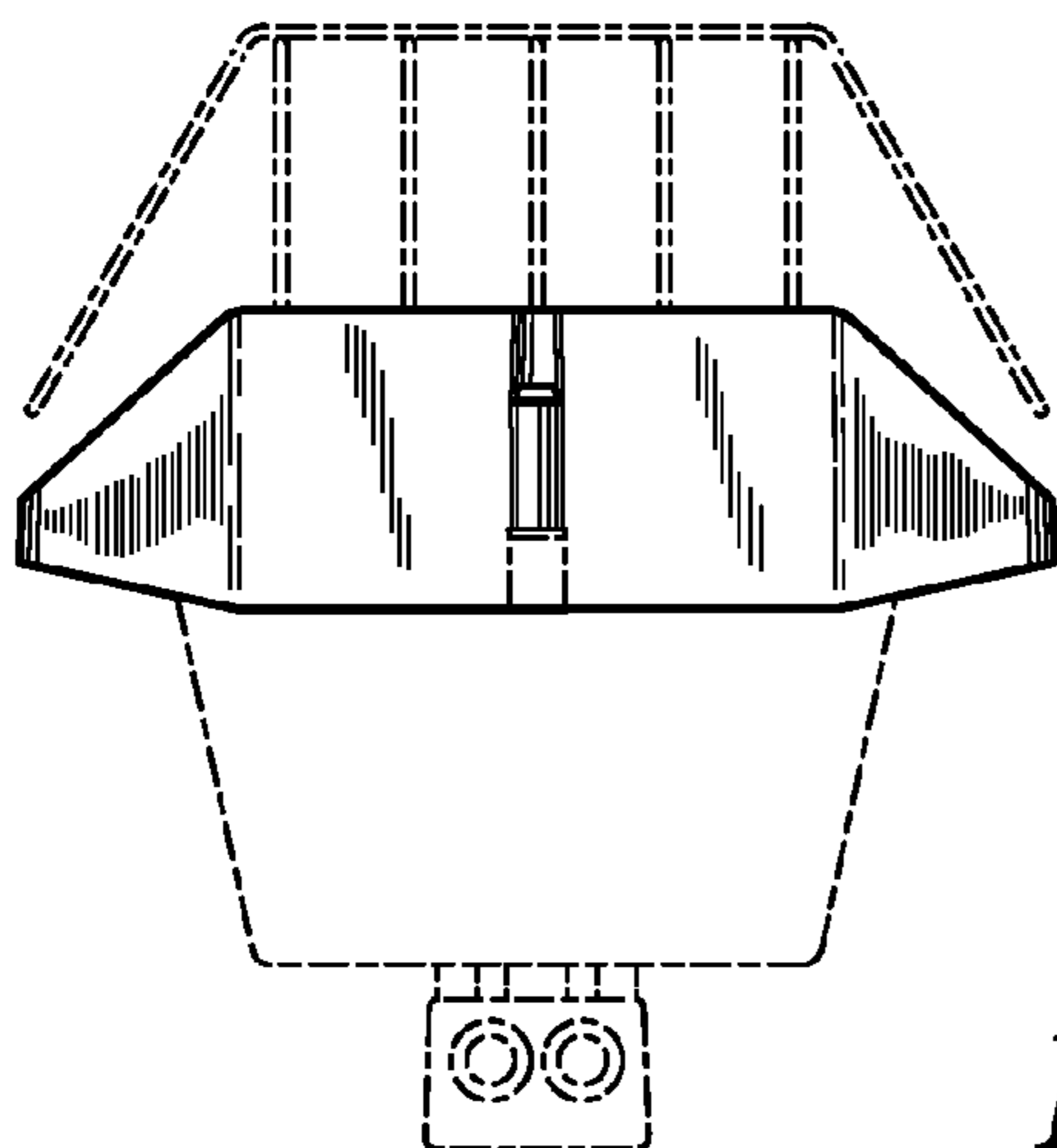
**FIG. 3**



*FIG. 4*



*FIG. 5*



*FIG. 6*