



US00D583987S

(12) **United States Design Patent**  
**Devaney et al.**

(10) **Patent No.:** **US D583,987 S**

(45) **Date of Patent:** **\*\* Dec. 30, 2008**

(54) **LAMP LENS**

(75) Inventors: **John Devaney**, Mountain Top, PA (US);  
**Matthew Malcolm**, Shavertown, PA  
(US); **Mark Dirsa**, Shavertown, PA (US)

(73) Assignee: **Koehler-Bright Star, Inc.**, Hanover  
Township, PA (US)

(\*\*) Term: **14 Years**

(21) Appl. No.: **29/283,174**

(22) Filed: **Aug. 8, 2007**

**Related U.S. Application Data**

(63) Continuation-in-part of application No. 11/535,428,  
filed on Sep. 26, 2006.

(51) **LOC (8) Cl.** ..... **26-99**

(52) **U.S. Cl.** ..... **D26/120**

(58) **Field of Classification Search** ..... D26/81,  
D26/155, 145, 86, 87, 113, 118, 128, 138,  
D26/85, 92, 97, 94, 65, 63, 62, 107, 142,  
D26/140, 120, 2, 25, 26, 37, 46, 72, 75, 76,  
D26/79, 103, 119, 124; 362/311, 309, 308,  
362/242, 147, 360, 151, 644, 654, 260, 363,  
362/382, 395, 410, 432

See application file for complete search history.

(56) **References Cited**

**U.S. PATENT DOCUMENTS**

3,233,092 A \* 2/1966 Umholtz ..... 362/183  
4,300,188 A \* 11/1981 Addario ..... 362/485

5,763,872 A \* 6/1998 Ness ..... 250/214 AL  
D428,168 S \* 7/2000 Veach et al. .... D26/26  
D430,323 S \* 8/2000 Yuen ..... D26/46  
D482,160 S \* 11/2003 Paffrath ..... D26/139  
6,879,613 B2 \* 4/2005 Takeuchi et al. .... 362/600  
D506,847 S \* 6/2005 Hussaini et al. .... D26/46  
D519,238 S \* 4/2006 Leen ..... D26/119  
D533,673 S \* 12/2006 Yuen ..... D26/46  
D545,470 S \* 6/2007 Devany et al. .... D26/46

\* cited by examiner

*Primary Examiner*—Freda S. Nunn

*Assistant Examiner*—Kevin K Rudzinski

(74) *Attorney, Agent, or Firm*—DLA Piper LLP (US); R.  
Blake Johnston

(57) **CLAIM**

The ornamental design for a lamp lens, as shown and  
described.

**DESCRIPTION**

FIG. 1 is a perspective view of the lamp lens as mounted to a  
flashlight;

FIG. 2 is a front elevational view of the lamp lens;

FIG. 3 is a back elevational view of the lamp lens;

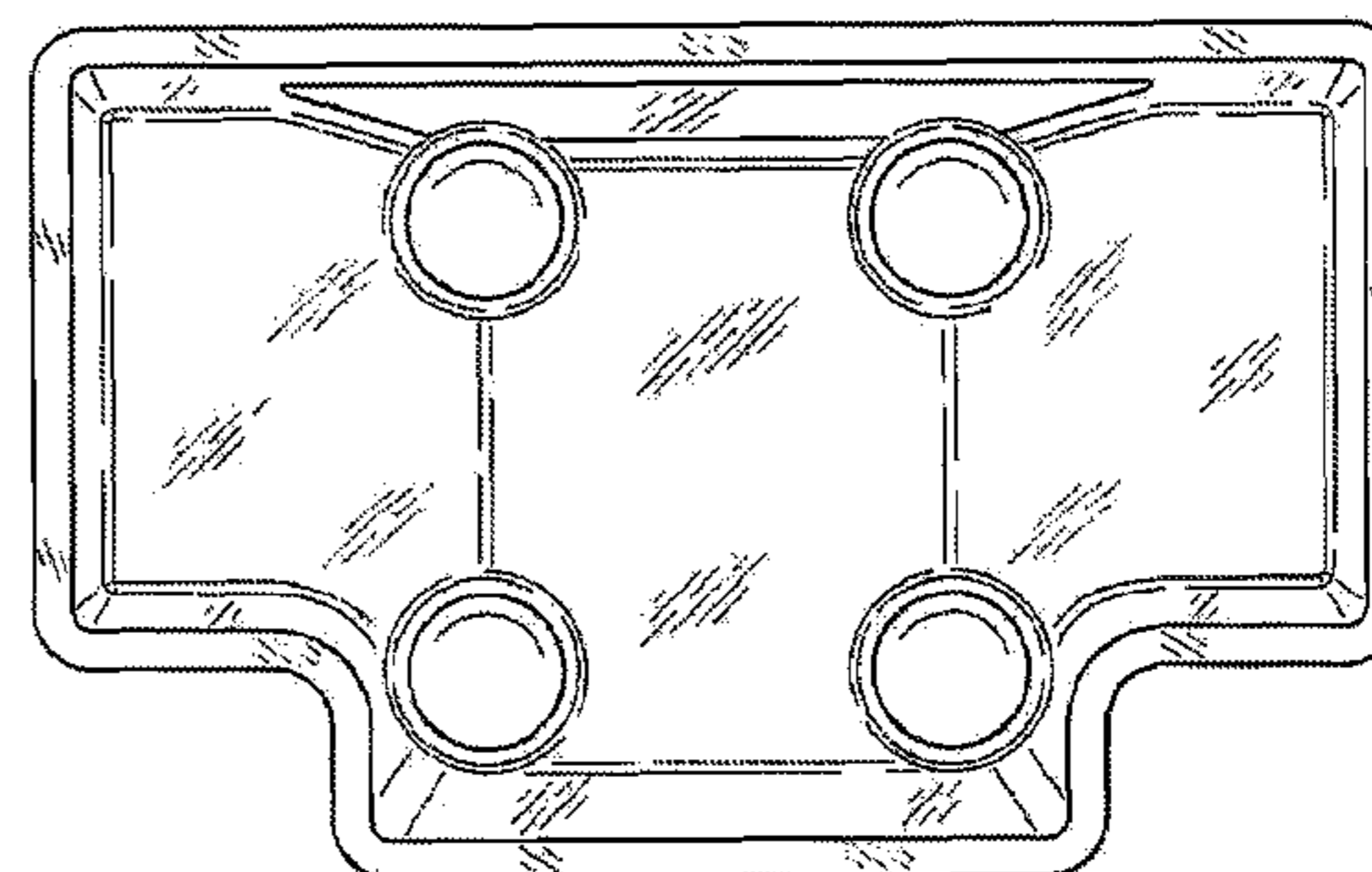
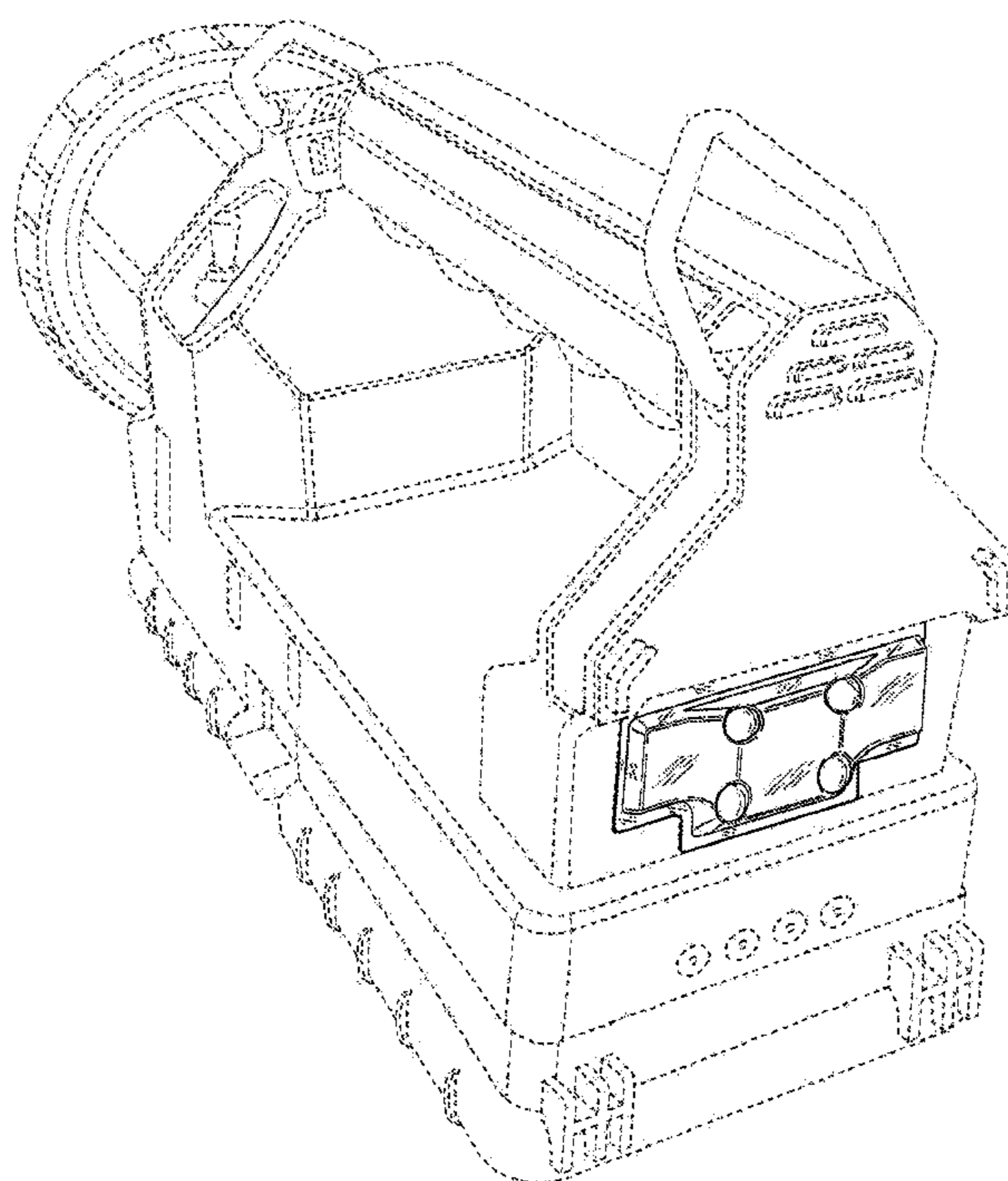
FIG. 4 is a side elevational view of the lamp lens, the opposite  
side of which is an identical mirror image;

FIG. 5 is a top plan view of the lamp lens; and,

FIG. 6 is a bottom plan view of the lamp lens.

The broken lines shown on the drawings are for illustrative  
purposes only and form no part of the claimed design.

**1 Claim, 3 Drawing Sheets**



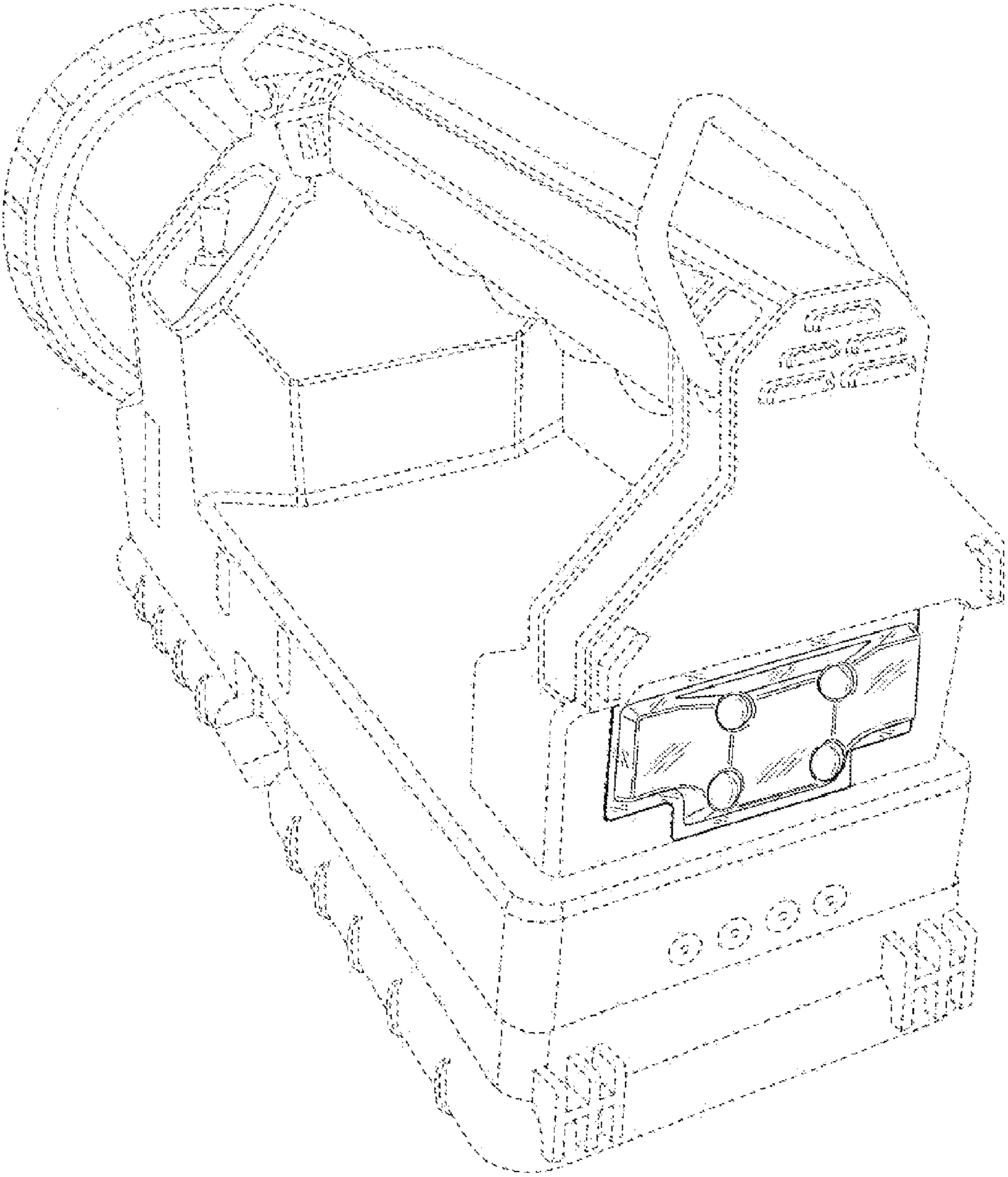


FIG. 1

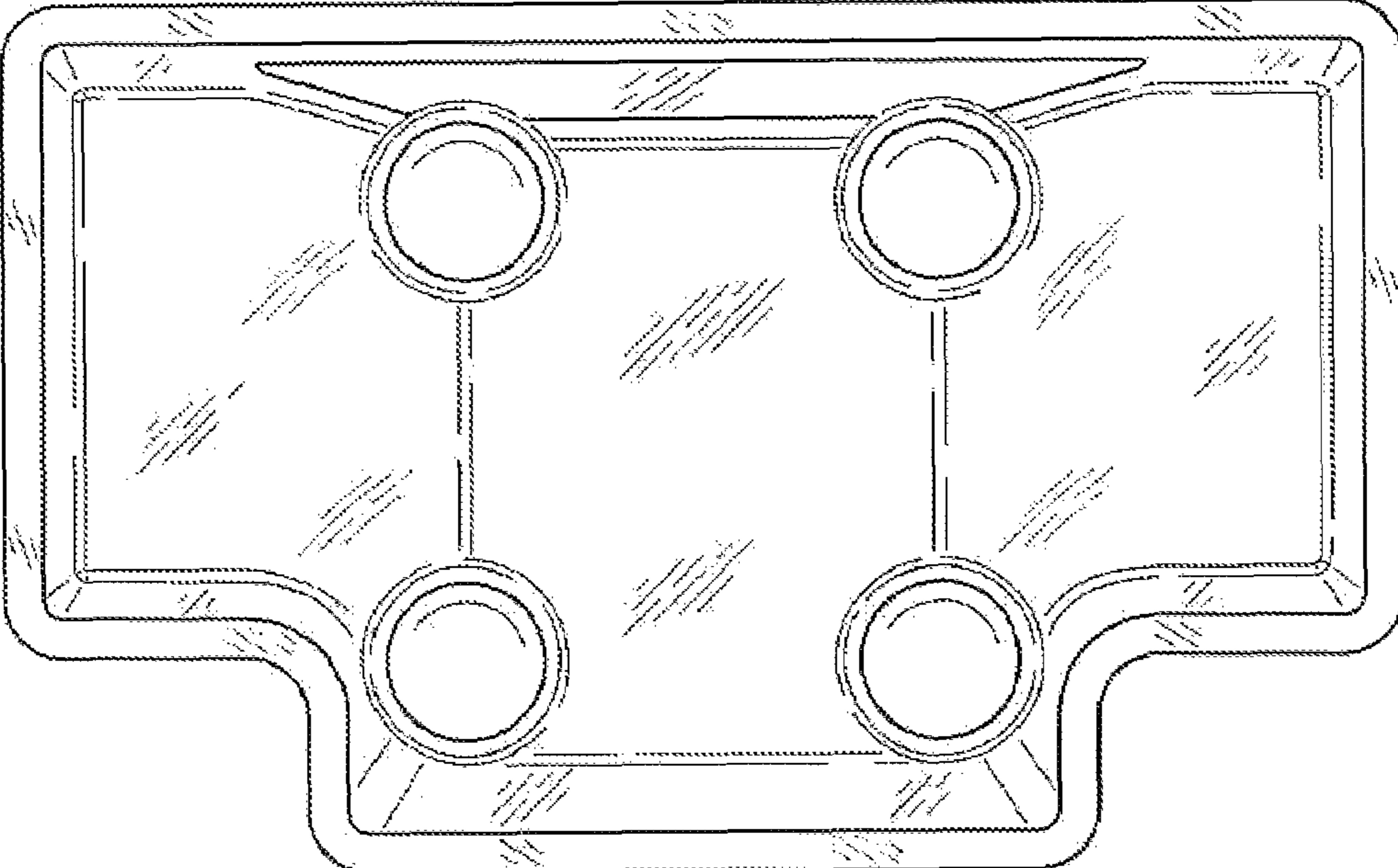


FIG. 2

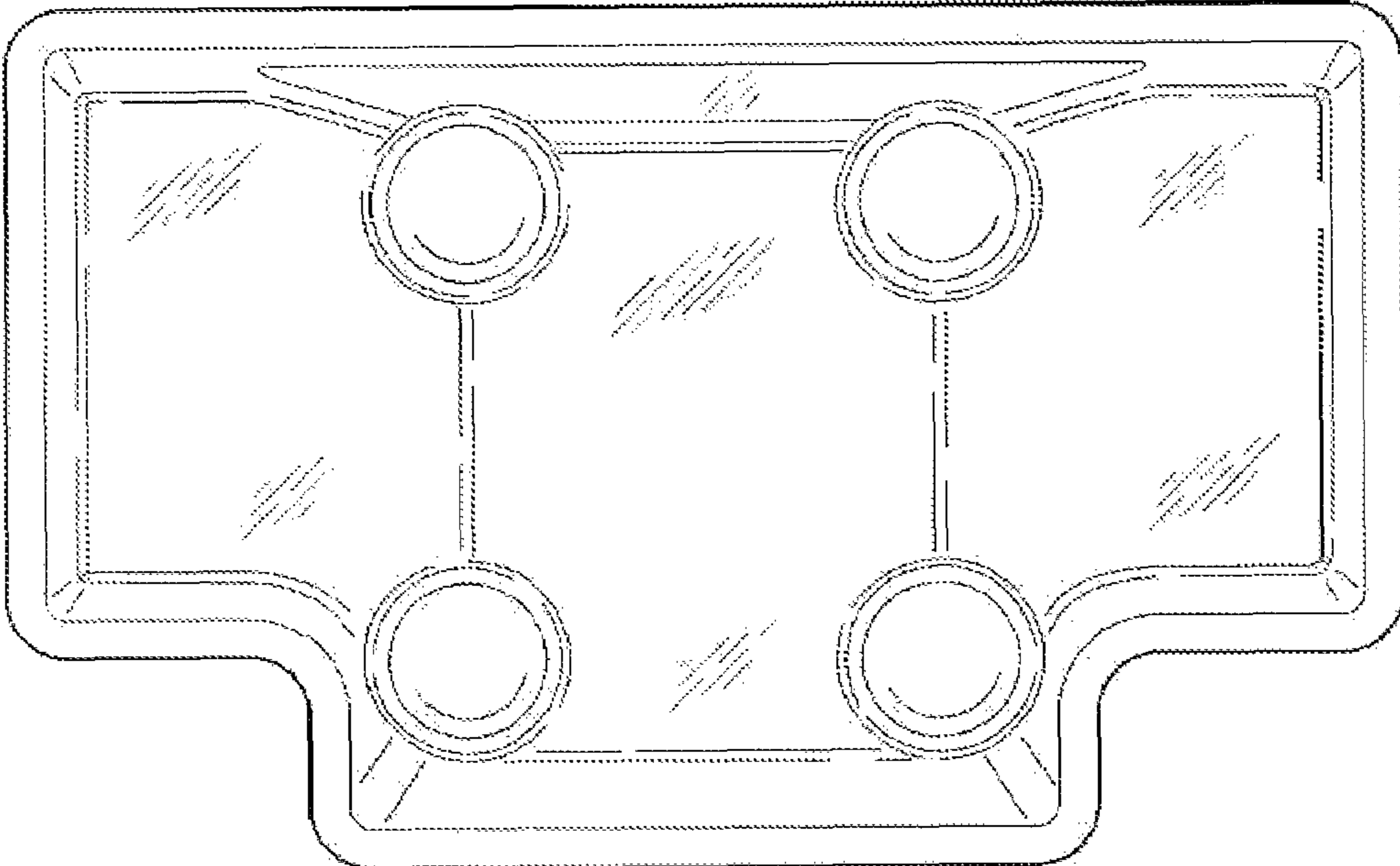


FIG. 3



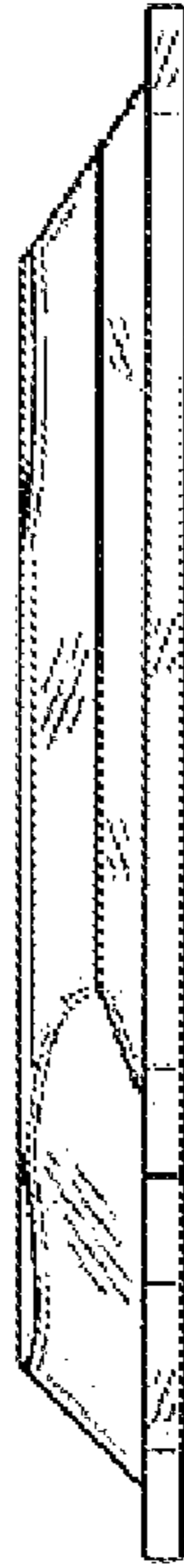


FIG. 4

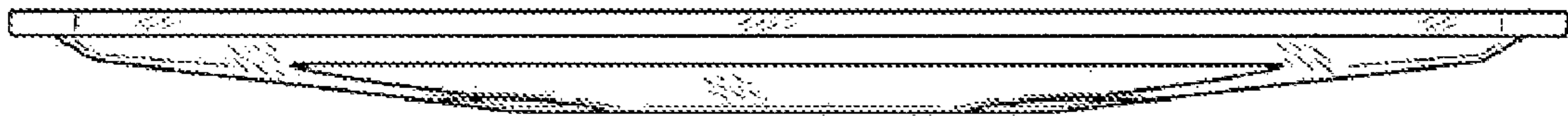


FIG. 5

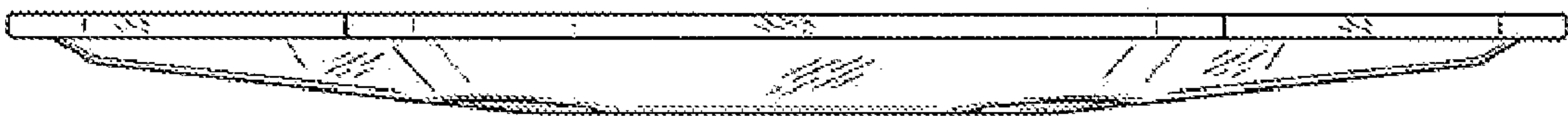


FIG. 6