



US00D583986S

(12) **United States Design Patent**
Salman

(10) **Patent No.:** **US D583,986 S**

(45) **Date of Patent:** **** Dec. 30, 2008**

(54) **LIGHTING FIXTURE END PORTION**

(75) Inventor: **Utkan Salman**, Oakland, CA (US)

(73) Assignee: **Acuity Brands, Inc.**, Atlanta, GA (US)

(**) Term: **14 Years**

(21) Appl. No.: **29/268,048**

(22) Filed: **Oct. 26, 2006**

(51) **LOC (8) Cl.** **26-99**

(52) **U.S. Cl.** **D26/113**

(58) **Field of Classification Search** D26/118,
D26/76, 120, 121, 77, 141, 128, 78, 3, 88,
D26/85, 87, 65, 67, 68, 81, 84, 155, 145,
D26/142, 113, 138, 57, 72, 73, 75, 82, 89,
D26/93, 109, 108, 119, 143, 152; D11/90;
D25/124; D10/114; D13/135, 134; 362/298,
362/555, 576, 581, 147, 151, 153, 217, 219,
362/235, 241, 279, 290, 297, 325, 404, 405,
362/410, 800

See application file for complete search history.

(56) **References Cited**

U.S. PATENT DOCUMENTS

D106,873 S *	11/1937	Stewart	D26/24
D122,861 S *	10/1940	Carter, Jr.	D26/77
D122,909 S *	10/1940	Stern	D26/78
2,338,077 A *	12/1943	Seribner	362/218
2,423,884 A *	7/1947	Glass	250/504 R
D160,417 S *	10/1950	Nitardy	D26/77
2,565,741 A *	8/1951	Runge	362/224
2,606,998 A *	8/1952	Wyman et al.	362/220
4,246,629 A *	1/1981	Marrero	362/147
4,494,175 A *	1/1985	Gawad et al.	362/150
4,536,830 A *	8/1985	Wisniewski	362/223
D300,873 S *	4/1989	Thompson et al.	D26/74
D300,951 S *	5/1989	Hughes et al.	D26/78
D300,953 S *	5/1989	Hughes et al.	D26/78
D356,392 S *	3/1995	Chen	D26/142

D360,271 S *	7/1995	Butler	D26/77
D362,315 S	9/1995	Herst et al.		
D363,805 S *	10/1995	Cole, Jr.	D26/76
D401,000 S	11/1998	Herst		
D405,907 S	2/1999	Herst et al.		
D405,908 S	2/1999	Herst et al.		
D428,508 S	7/2000	Irvine		
D464,161 S *	10/2002	Nourishad	D26/78
D480,168 S *	9/2003	Herst et al.	D26/77
6,652,118 B2 *	11/2003	Shemitz et al.	362/225
6,709,131 B1	3/2004	Herst et al.		
D496,747 S	9/2004	Herst et al.		
D520,176 S *	5/2006	Herst et al.	D26/121
D561,926 S	2/2008	Salman		

* cited by examiner

Primary Examiner—Freda S. Nunn

Assistant Examiner—Kevin K Rudzinski

(74) *Attorney, Agent, or Firm*—Donald L. Beeson; Beeson Skinner Beverly, LLP

(57) **CLAIM**

The ornamental design for a lighting fixture end portion, as shown and described.

DESCRIPTION

FIG. 1 is a bottom perspective view of a portion of a lighting fixture end portion showing my new design;

FIG. 2 is a top perspective view thereof;

FIG. 3 is an enlarged bottom plan view thereof;

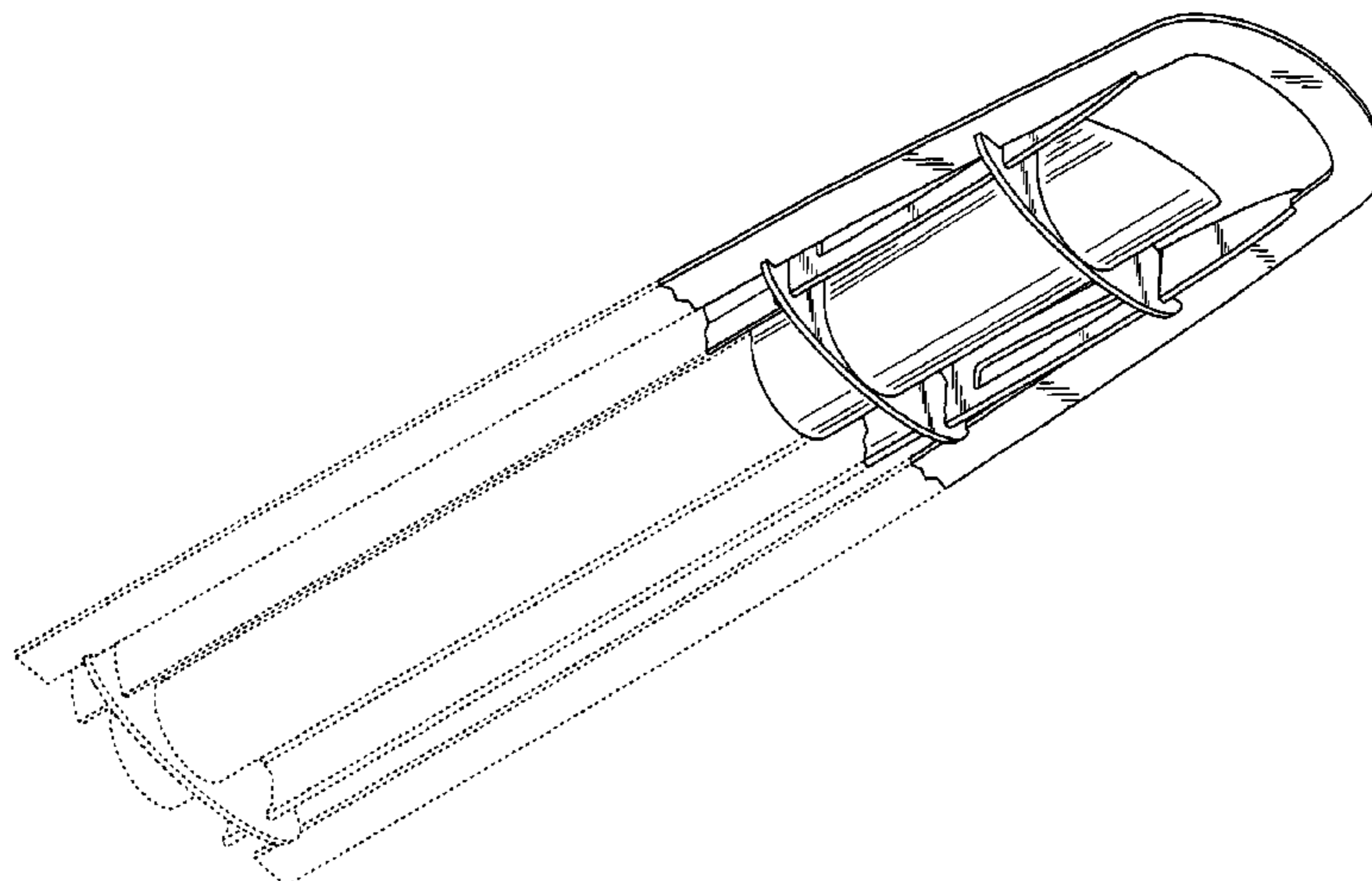
FIG. 4 is an enlarged top plan view thereof;

FIG. 5 is an enlarged side elevational view thereof, the other side being a mirror image; and,

FIG. 6 is an enlarged end elevational view thereof, the other end being a mirror image.

FIGS. 1–5 are broken away to indicate indeterminate length. The broken lines are shown in FIGS. 1 and 2 for illustrative purposes only and form no part of my claimed design.

1 Claim, 3 Drawing Sheets



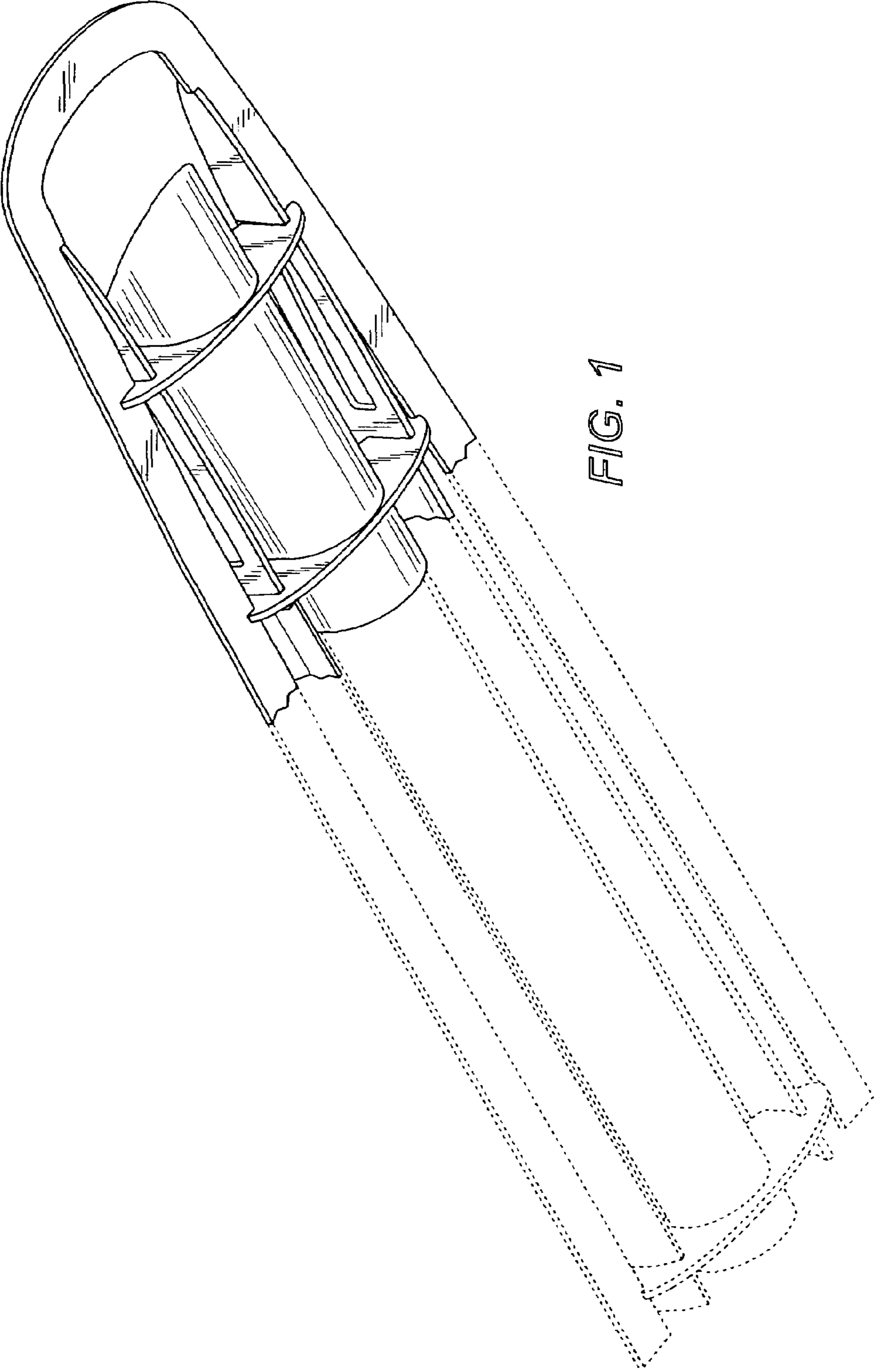


FIG. 1

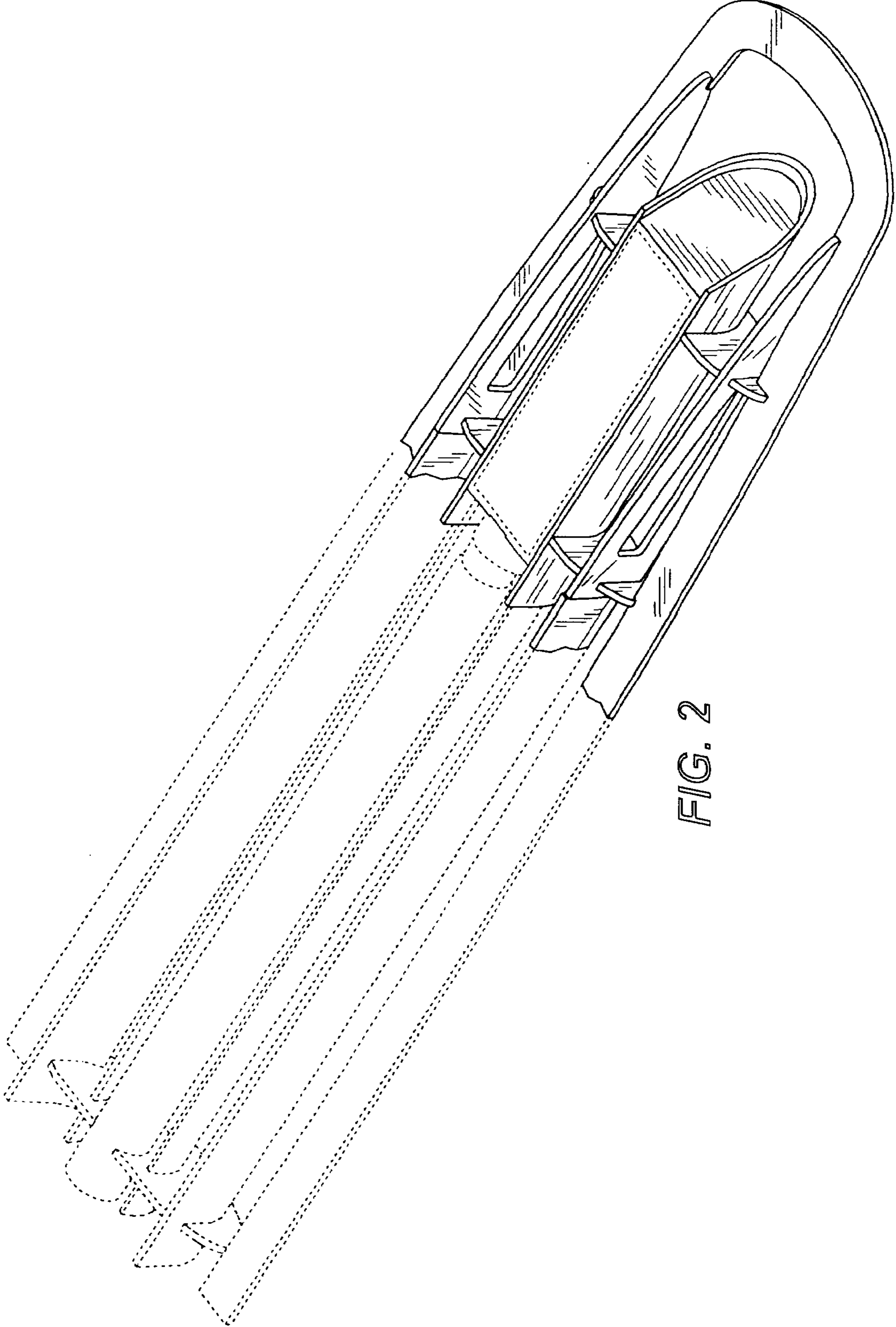


FIG. 2

FIG. 3

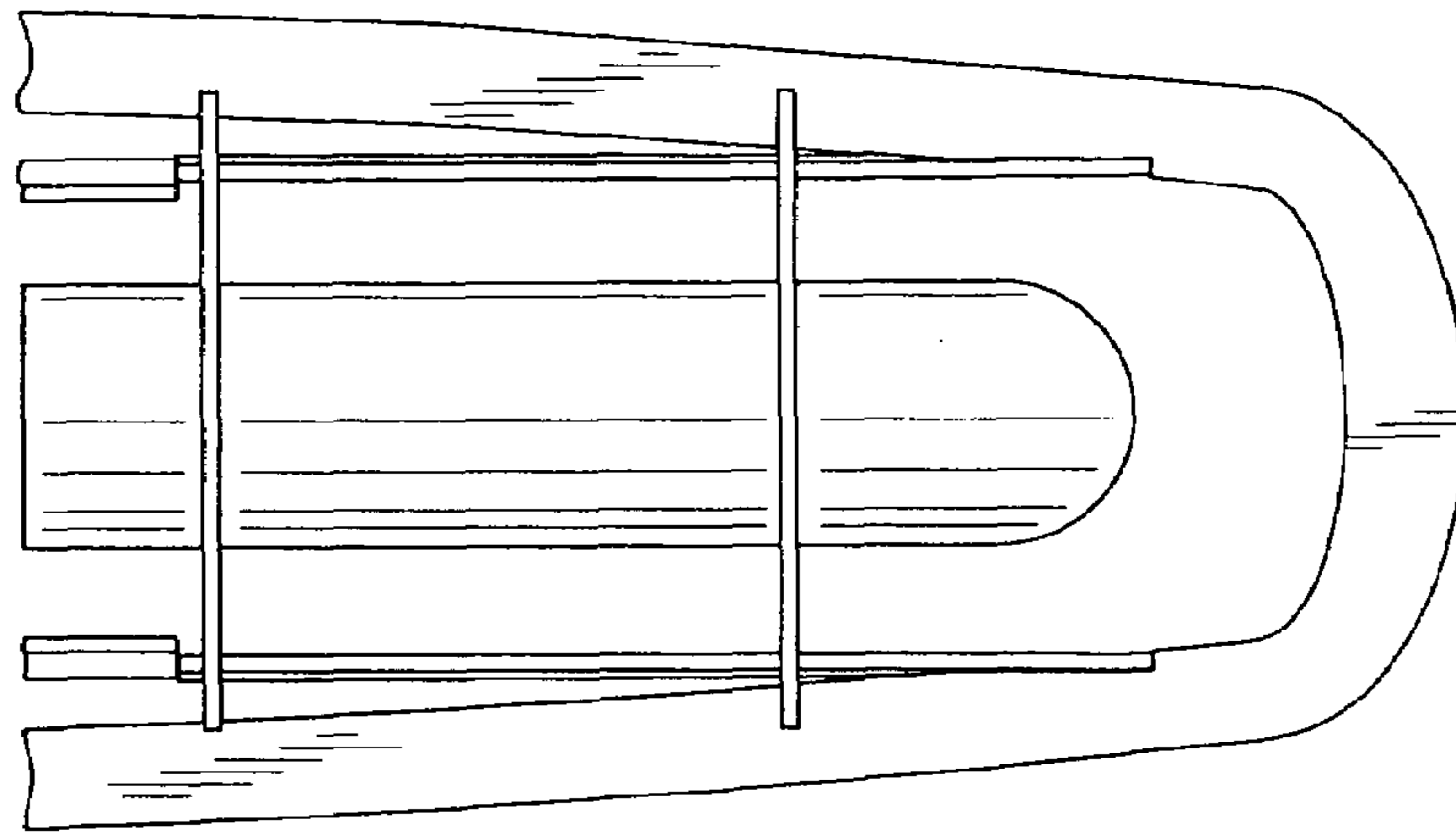


FIG. 4

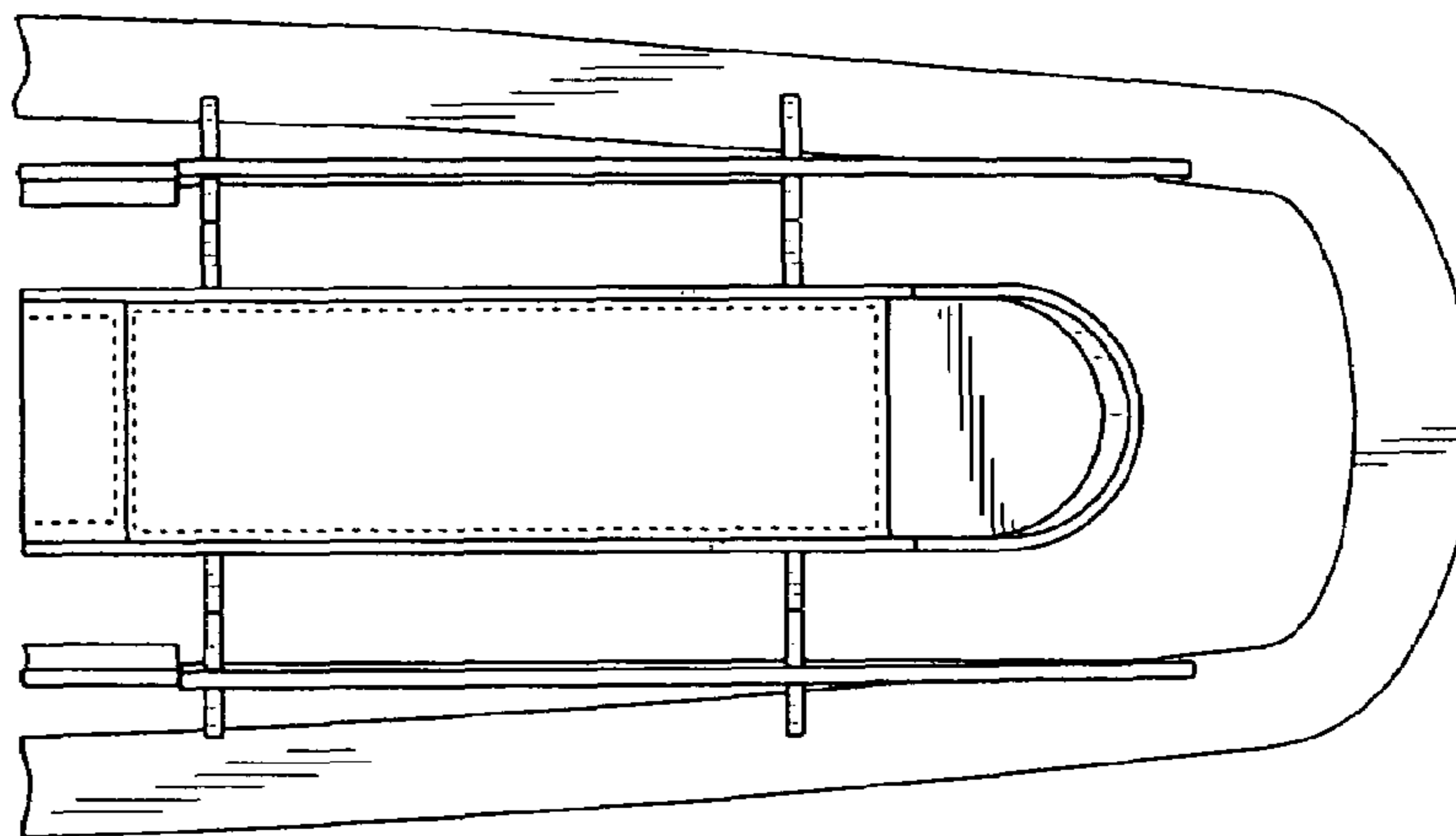


FIG. 5

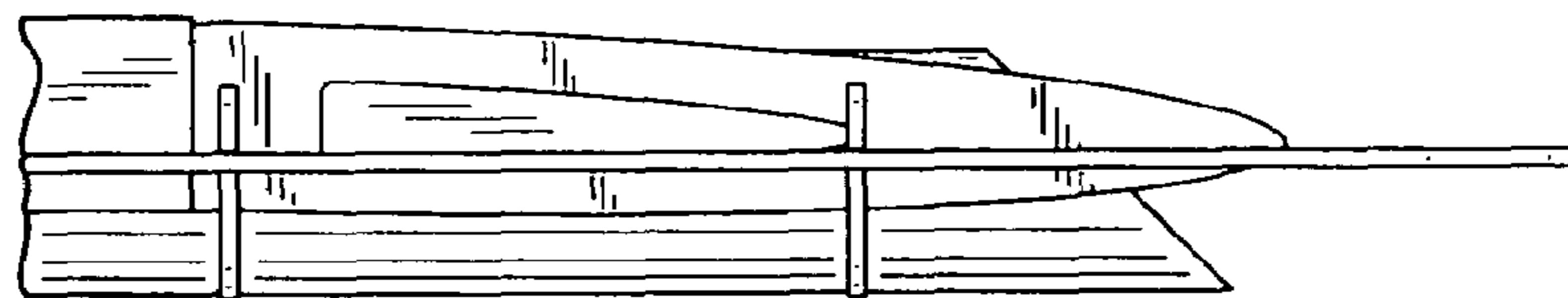


FIG. 6

