



US00D583985S

(12) **United States Design Patent**  
**Warden et al.**

(10) **Patent No.:** **US D583,985 S**  
(45) **Date of Patent:** **\*\* Dec. 30, 2008**

(54) **BREAST PUMP**

(75) Inventors: **Bodo Warden**, Viersen (DE); **Ernst Wedekind**, Cologne (DE); **Reinhold Jager-Waldau**, Scheebel (DE)

(73) Assignee: **Mapa GmbH Gummi-und Plastikwerke**, Zeven (DE)

(\*\*) Term: **14 Years**

(21) Appl. No.: **29/297,927**

(22) Filed: **Nov. 21, 2007**

(30) **Foreign Application Priority Data**

May 25, 2007 (EM) ..... 000729637

(51) **LOC (8) Cl.** ..... **24-02**

(52) **U.S. Cl.** ..... **D26/109**

(58) **Field of Classification Search** ..... D24/109;  
604/74-77

See application file for complete search history.

(56) **References Cited**

**U.S. PATENT DOCUMENTS**

- 3,822,703 A \* 7/1974 Davisson ..... 604/75
- D251,015 S \* 2/1979 Cone ..... D24/109
- 4,772,262 A \* 9/1988 Grant et al. .... 604/74
- 4,964,851 A \* 10/1990 Larsson ..... 604/74
- D372,777 S \* 8/1996 Kan ..... D24/109
- D408,528 S \* 4/1999 Kan ..... D24/109
- D456,897 S \* 5/2002 Atkin et al. .... D24/109

- 6,423,030 B1 \* 7/2002 Silver ..... 604/74
- D484,236 S \* 12/2003 Renz et al. .... D24/109
- 6,673,036 B1 \* 1/2004 Britto ..... 604/74
- 6,673,037 B1 \* 1/2004 Silver ..... 604/74
- 2003/0139702 A1 \* 7/2003 Renz et al. .... 604/74
- 2005/0228342 A1 10/2005 Yuen

**OTHER PUBLICATIONS**

“Mini Electric Breast Pump” by Avatar.  
“Milch-Pumpe” breast pump by Param.

\* cited by examiner

*Primary Examiner*—Ian Simmons  
*Assistant Examiner*—Carissa C Fitts

(74) *Attorney, Agent, or Firm*—Vidas, Arrett & Steinkraus, P.A.

(57) **CLAIM**

The ornamental design for a breast pump, as shown and described.

**DESCRIPTION**

FIG. 1 is a right side view of the inventive breast pump;  
FIG. 2 is rear view of the inventive breast pump;  
FIG. 3 is a left side view of the inventive breast pump;  
FIG. 4 is a front view of the inventive breast pump;  
FIG. 5 is a top view of the inventive breast pump;  
FIG. 6 is a bottom view of the inventive breast pump; and,  
FIG. 7 is a perspective view from the front and right side of the inventive breast pump.

**1 Claim, 7 Drawing Sheets**

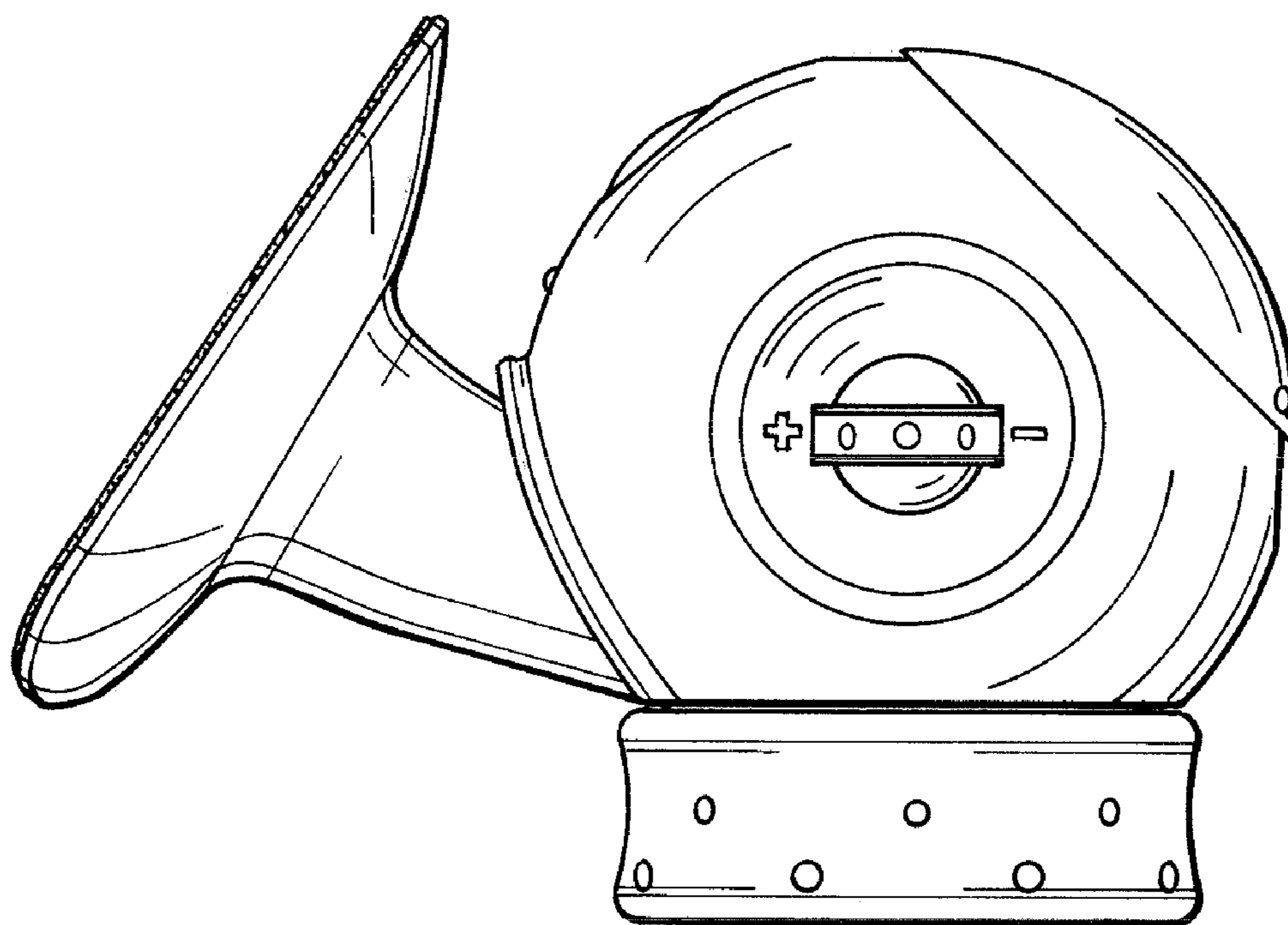


Fig. 1

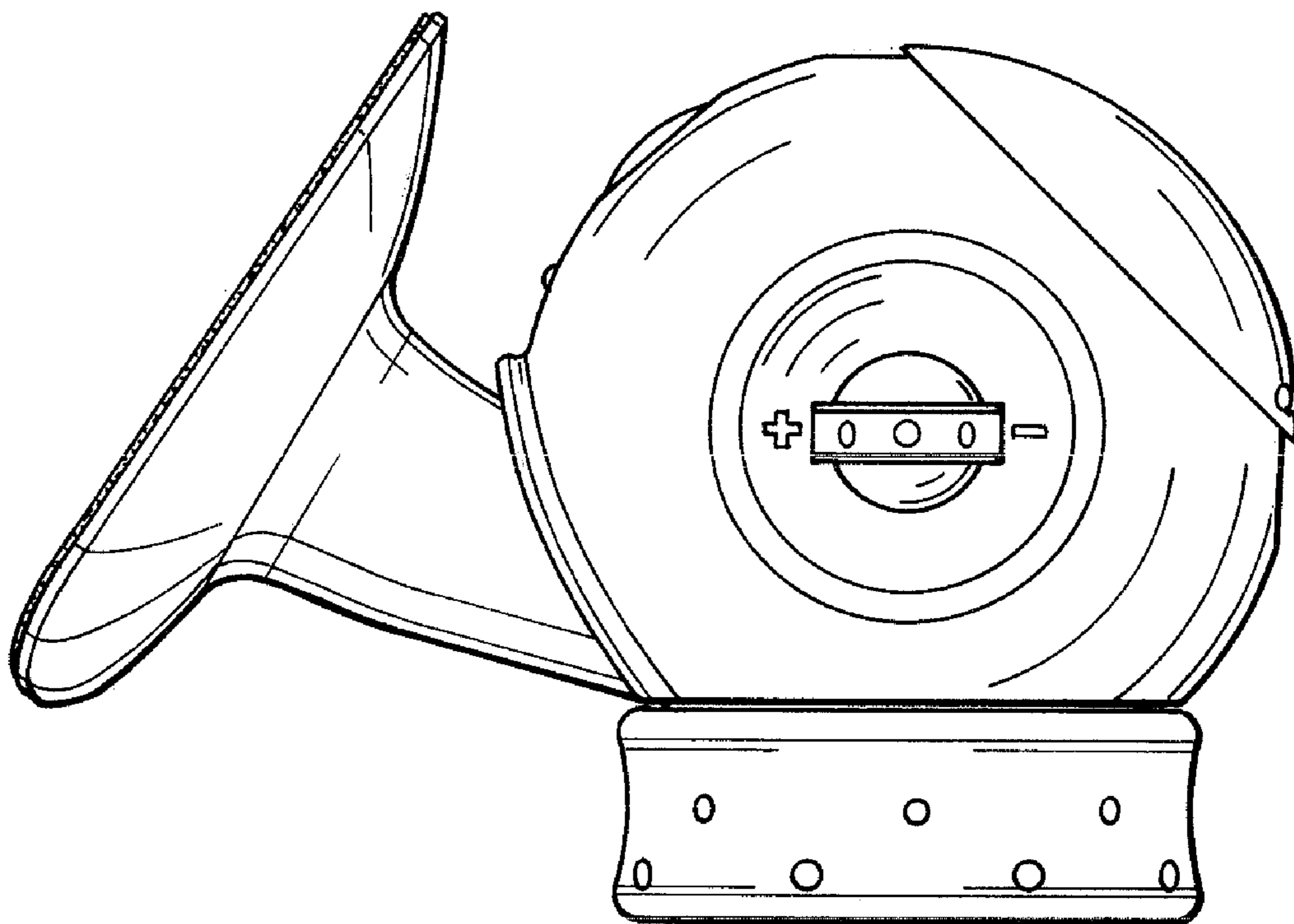


Fig. 2

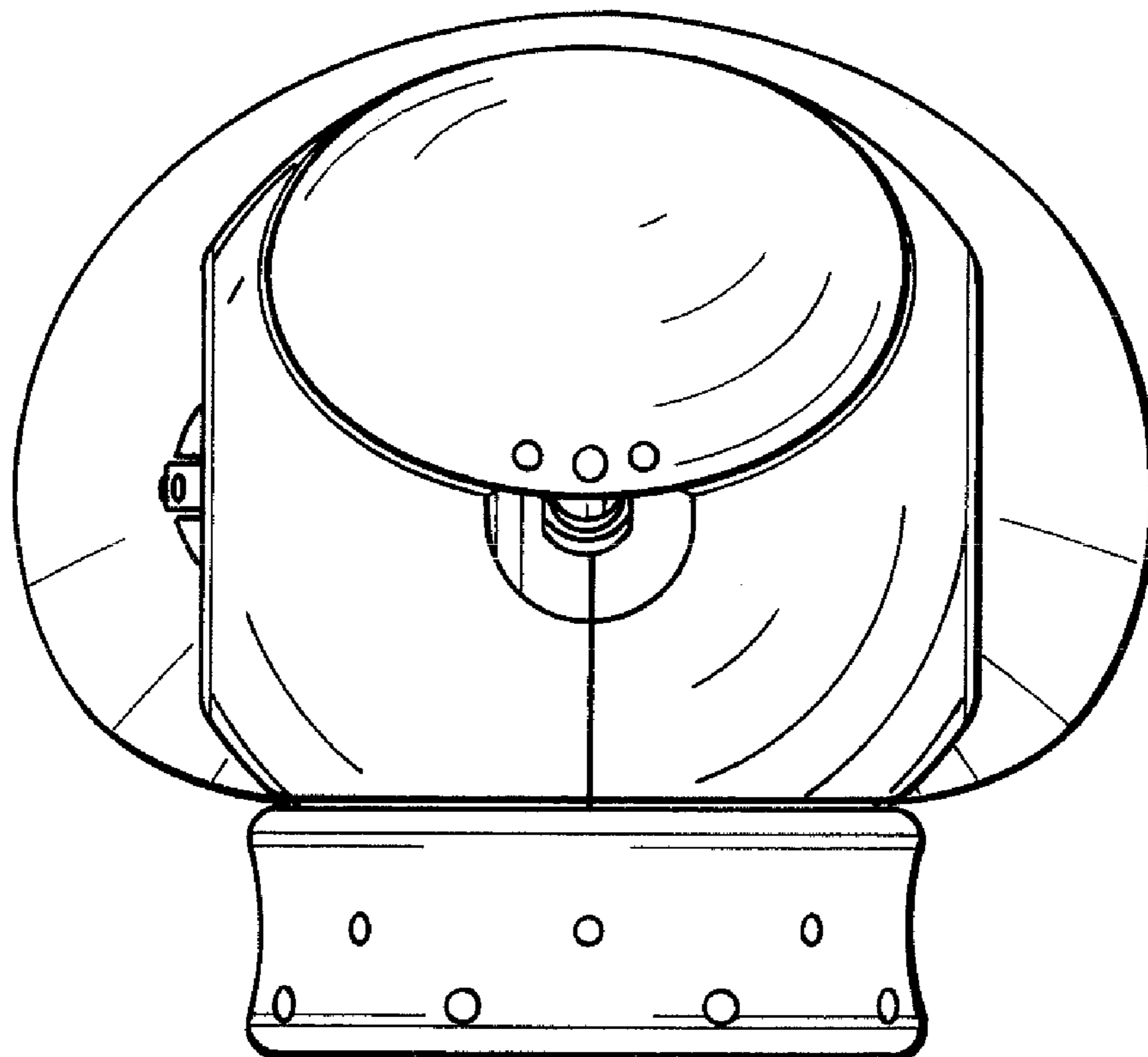


Fig. 3

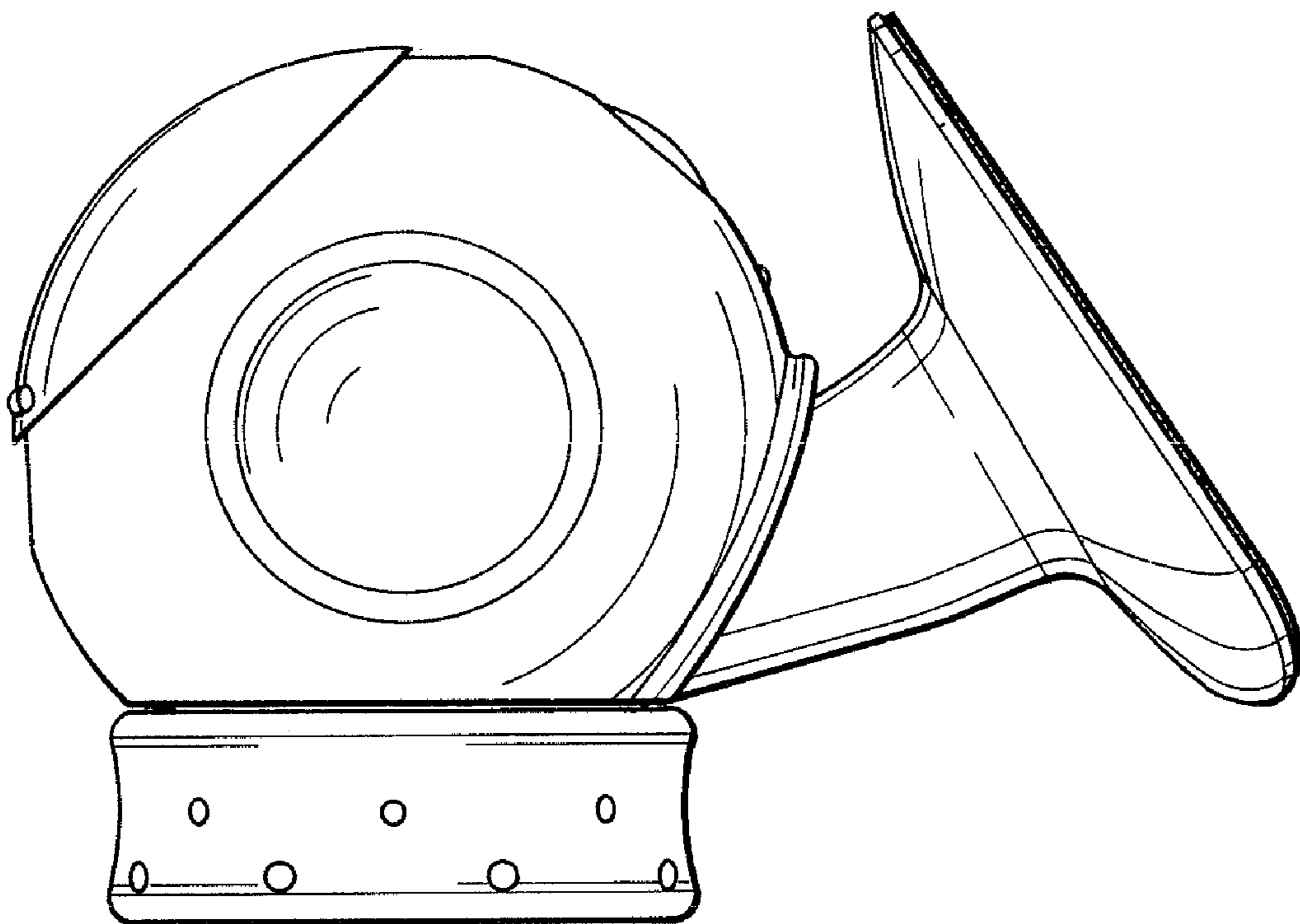


Fig. 4

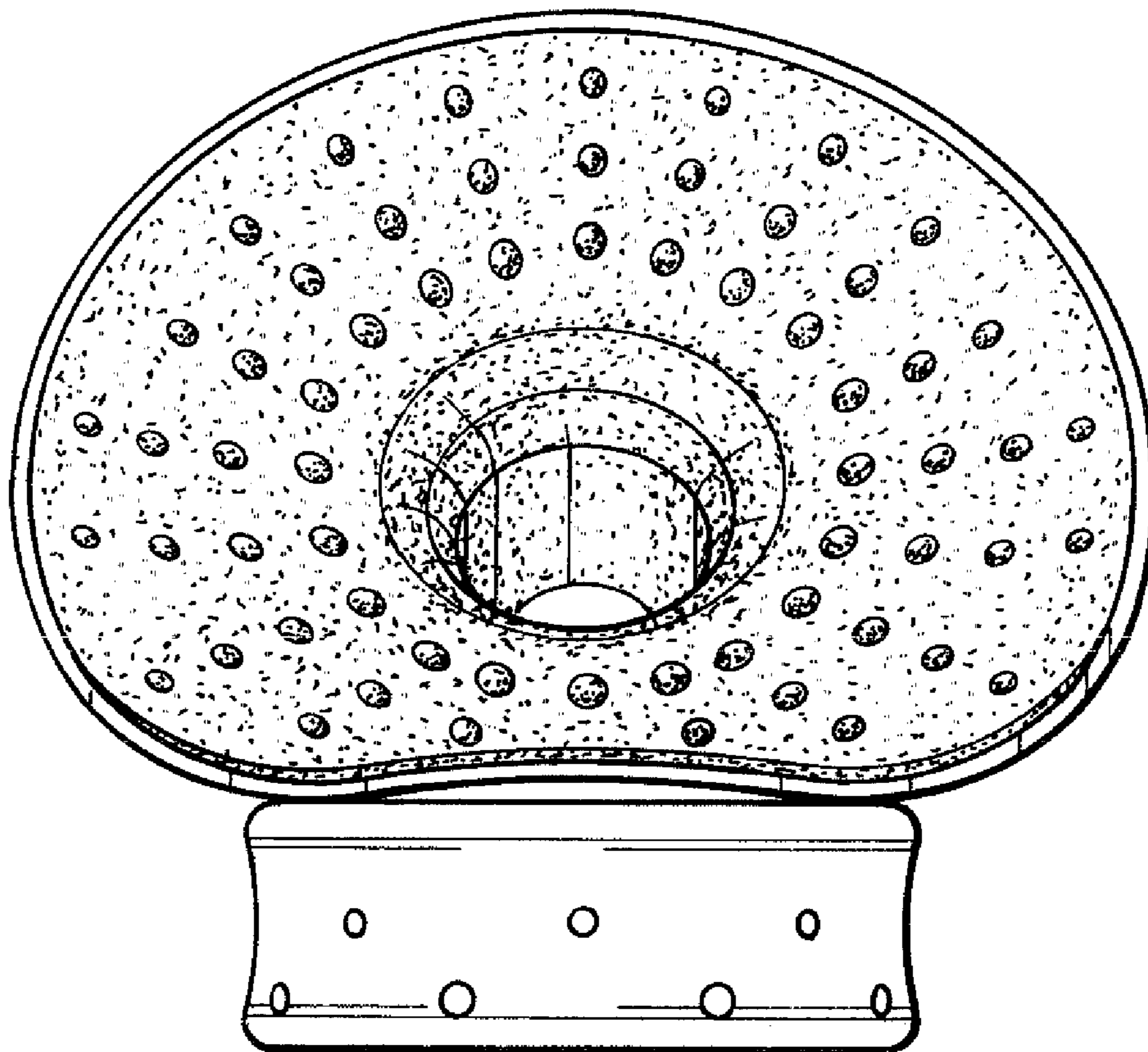


FIG. 5

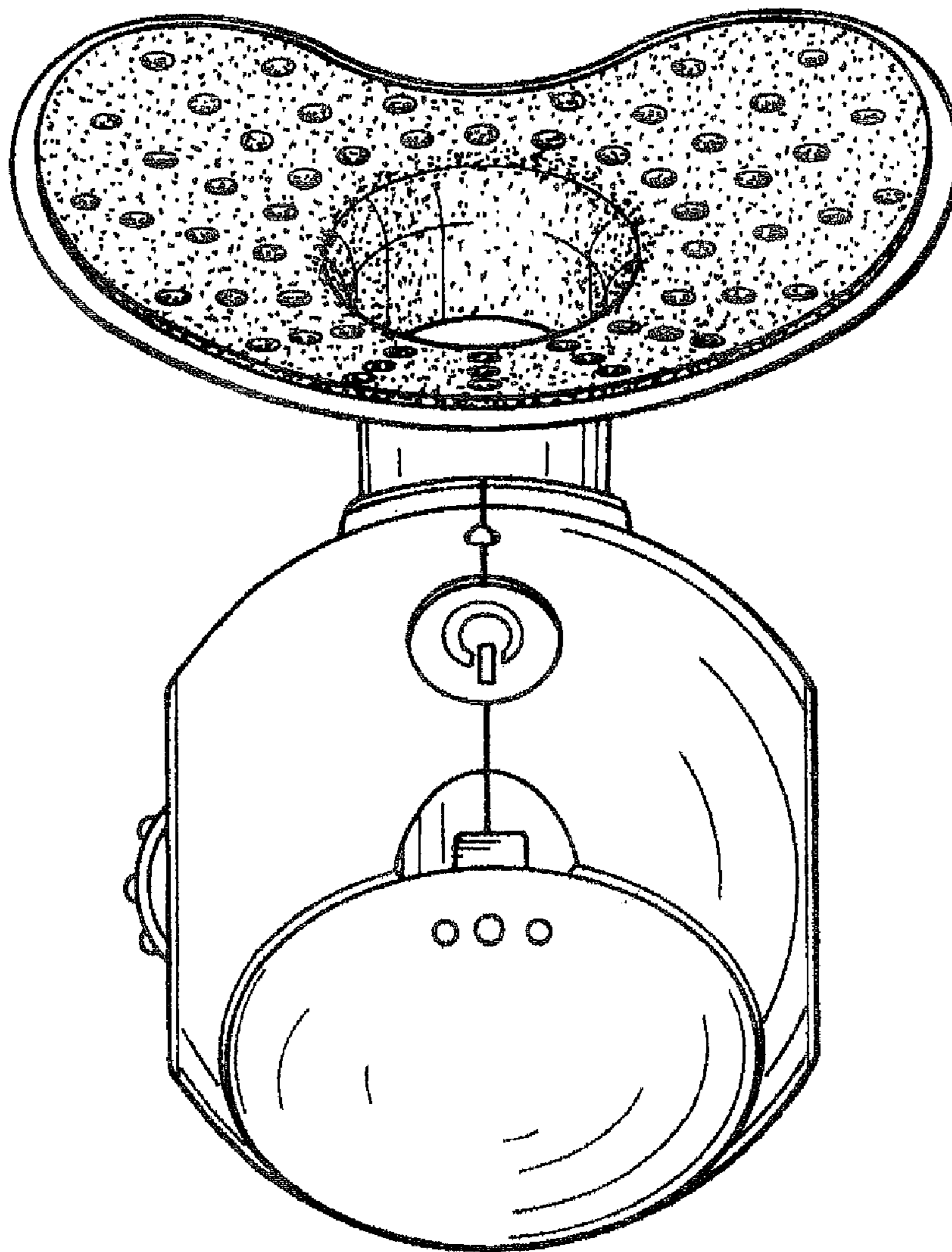


Fig. 6

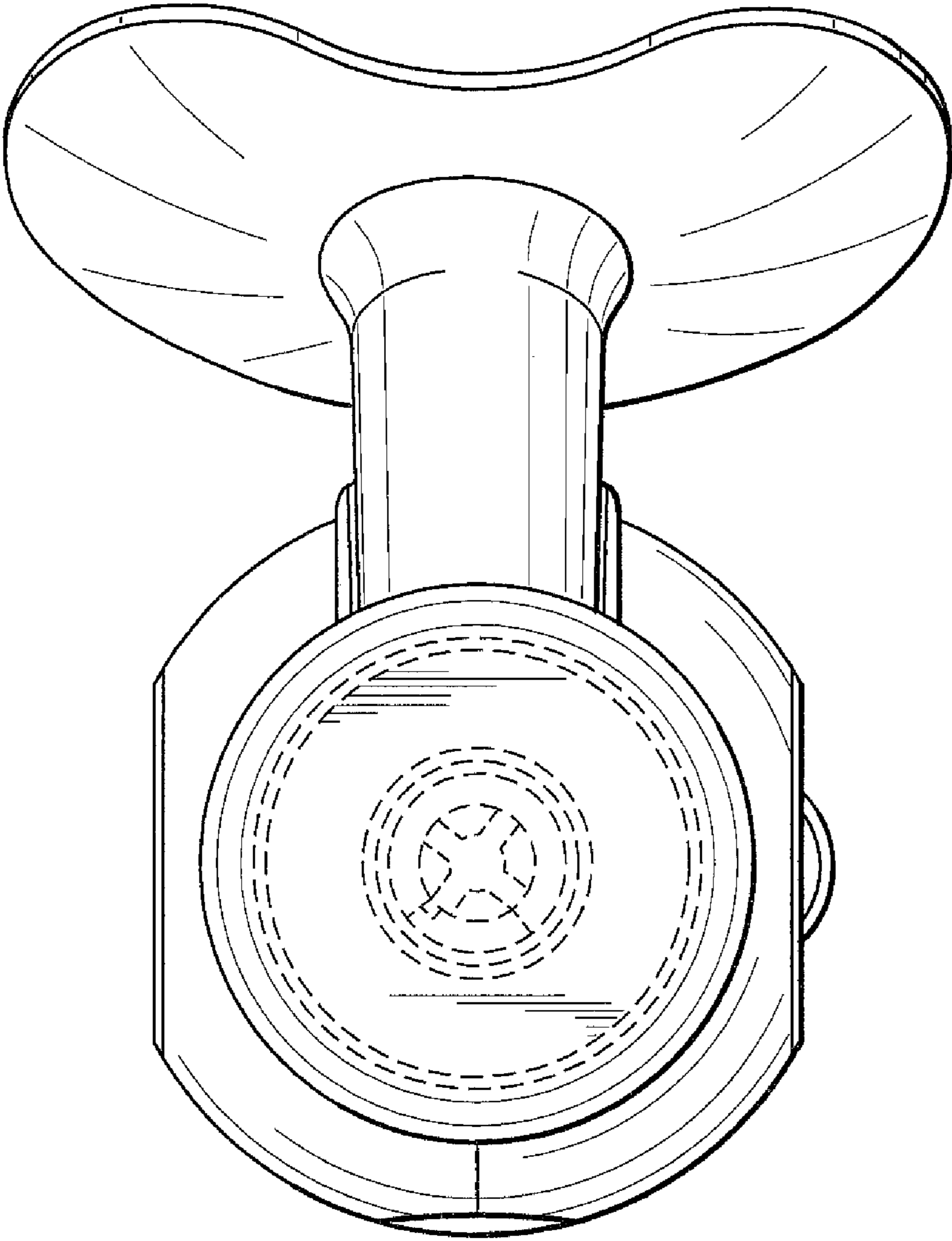


FIG. 7

