



US00D583984S

(12) **United States Design Patent**
Takahashi et al.

(10) **Patent No.:** **US D583,984 S**
(45) **Date of Patent:** **** Dec. 30, 2008**

(54) **LIGHT EMITTING DIODE LAMP**

(75) Inventors: **Aiko Takahashi**, Tokyo (JP); **Hajime Ohno**, Tokyo (JP)

(73) Assignee: **Toshiba Lighting & Technology Corporation**, Tokyo (JP)

(**) Term: **14 Years**

(21) Appl. No.: **29/318,531**

(22) Filed: **May 21, 2008**

(30) **Foreign Application Priority Data**

Nov. 29, 2007 (JP) 2007-032666

(51) **LOC (8) Cl.** **26-03**

(52) **U.S. Cl.** **D26/89**

(58) **Field of Classification Search** D26/57,
D26/72, 79, 85, 88, 89, 101, 127, 146, 147,
D26/156; 362/147, 404, 433, 451, 453-456
See application file for complete search history.

(56) **References Cited**

U.S. PATENT DOCUMENTS

D75,869 S * 7/1928 Pfeiffer D26/152
D132,865 S * 6/1942 Drollinger D26/88
D240,320 S * 6/1976 Anderson, Jr. D26/85

D482,485 S * 11/2003 Benghozi D26/85
D484,270 S * 12/2003 Yiu D26/89
D562,492 S * 2/2008 Chen D26/85
D567,987 S * 4/2008 Khubani D26/85

FOREIGN PATENT DOCUMENTS

JP 1247684 7/2005

* cited by examiner

Primary Examiner—Clare E Heflin
(74) *Attorney, Agent, or Firm*—J.C. Patents

(57) **CLAIM**

The ornamental design for a light emitting diode lamp, as shown and described.

DESCRIPTION

FIG. 1 is a perspective view of a light emitting diode lamp showing the new design;

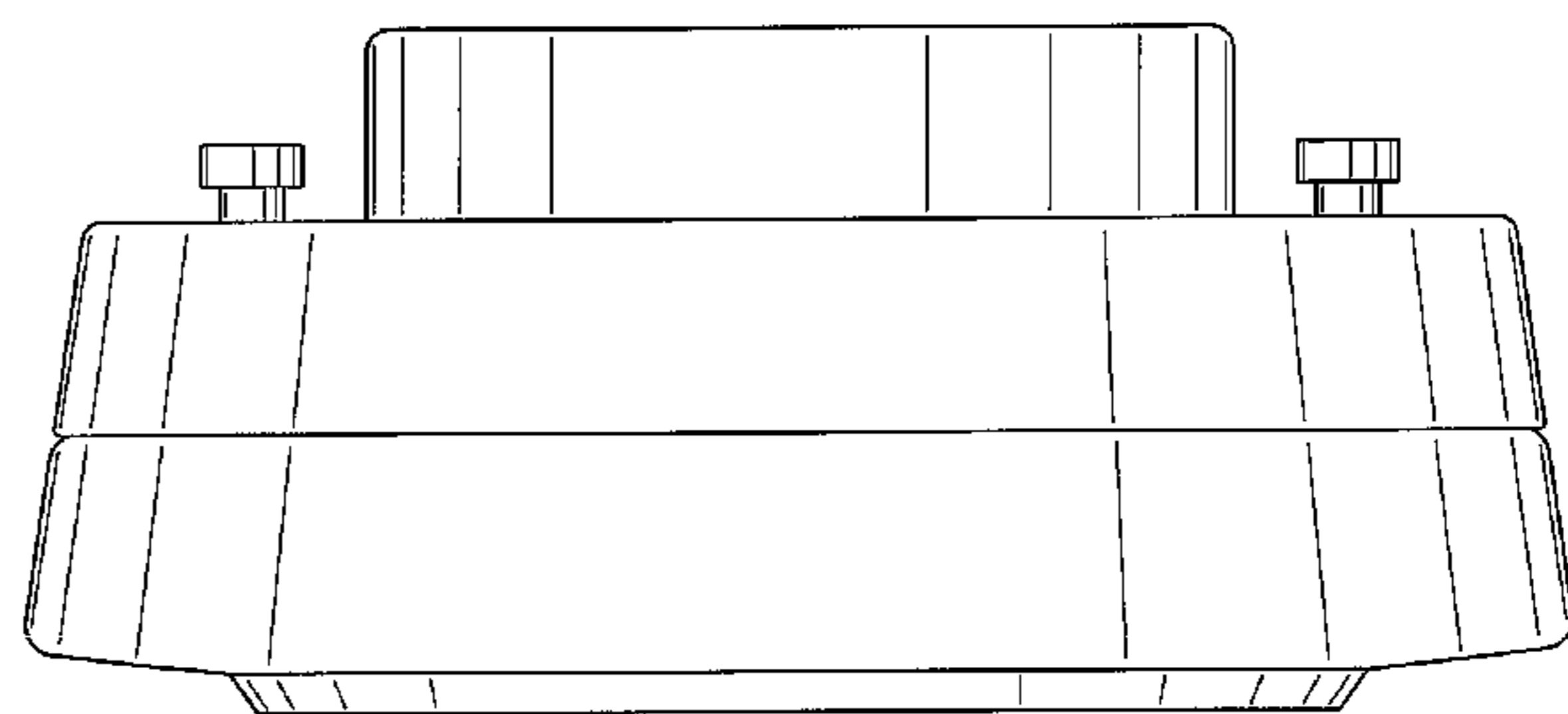
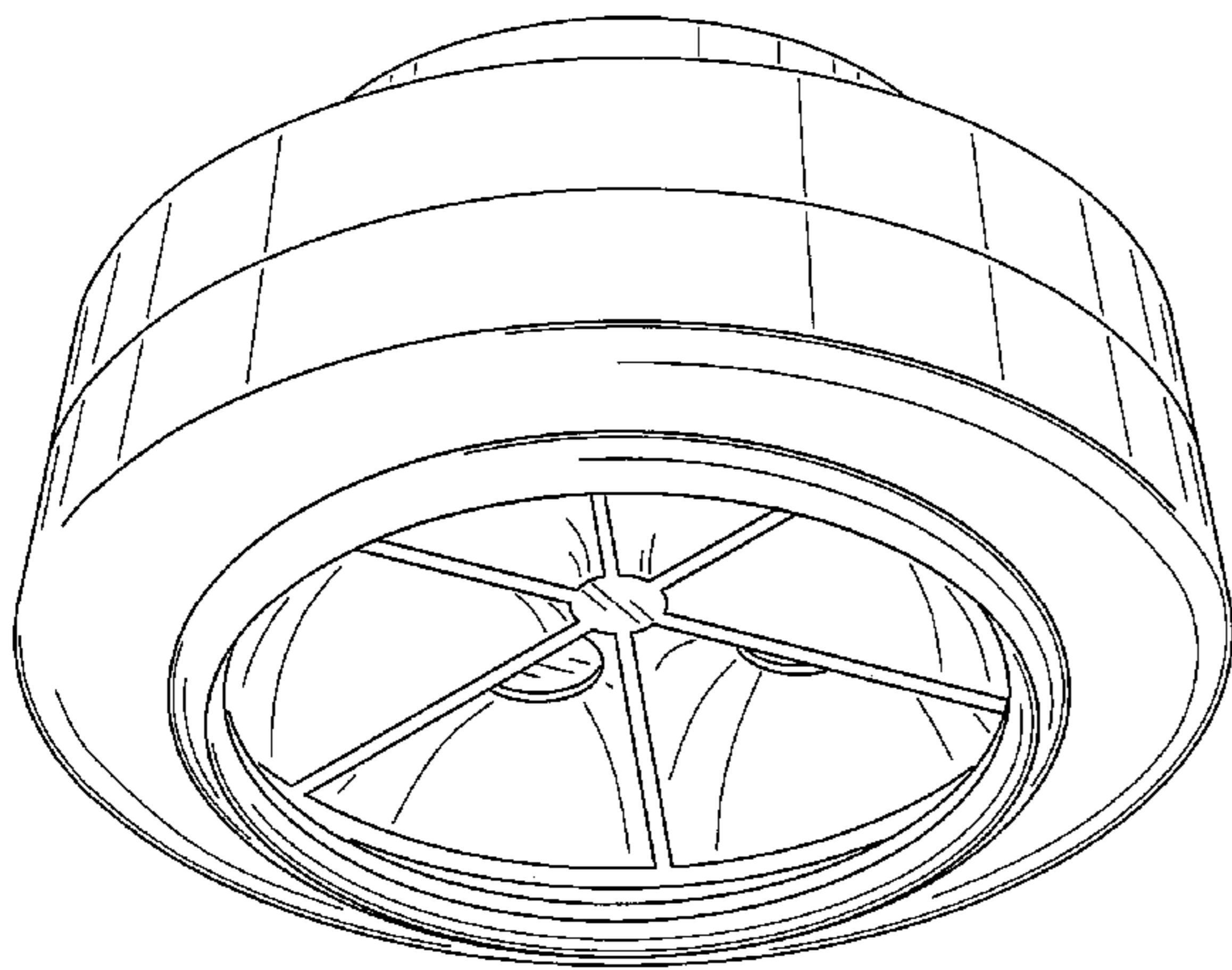
FIG. 2 is a front view thereof, the rear view being the same image of the front view;

FIG. 3 is a right side view thereof, the left side view being the same image of the right side view;

FIG. 4 is a top view thereof; and,

FIG. 5 is a bottom view thereof.

1 Claim, 4 Drawing Sheets



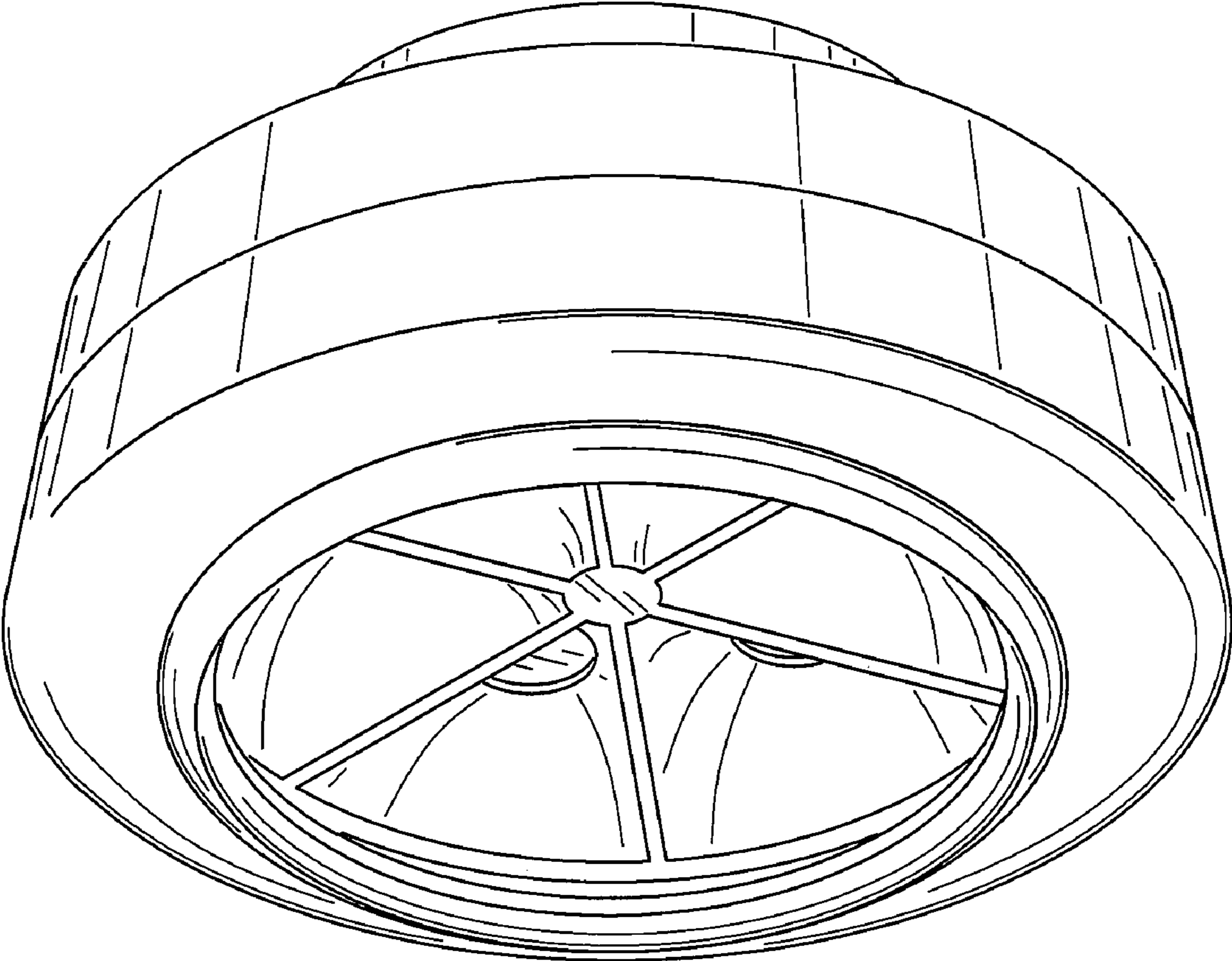


FIG. 1

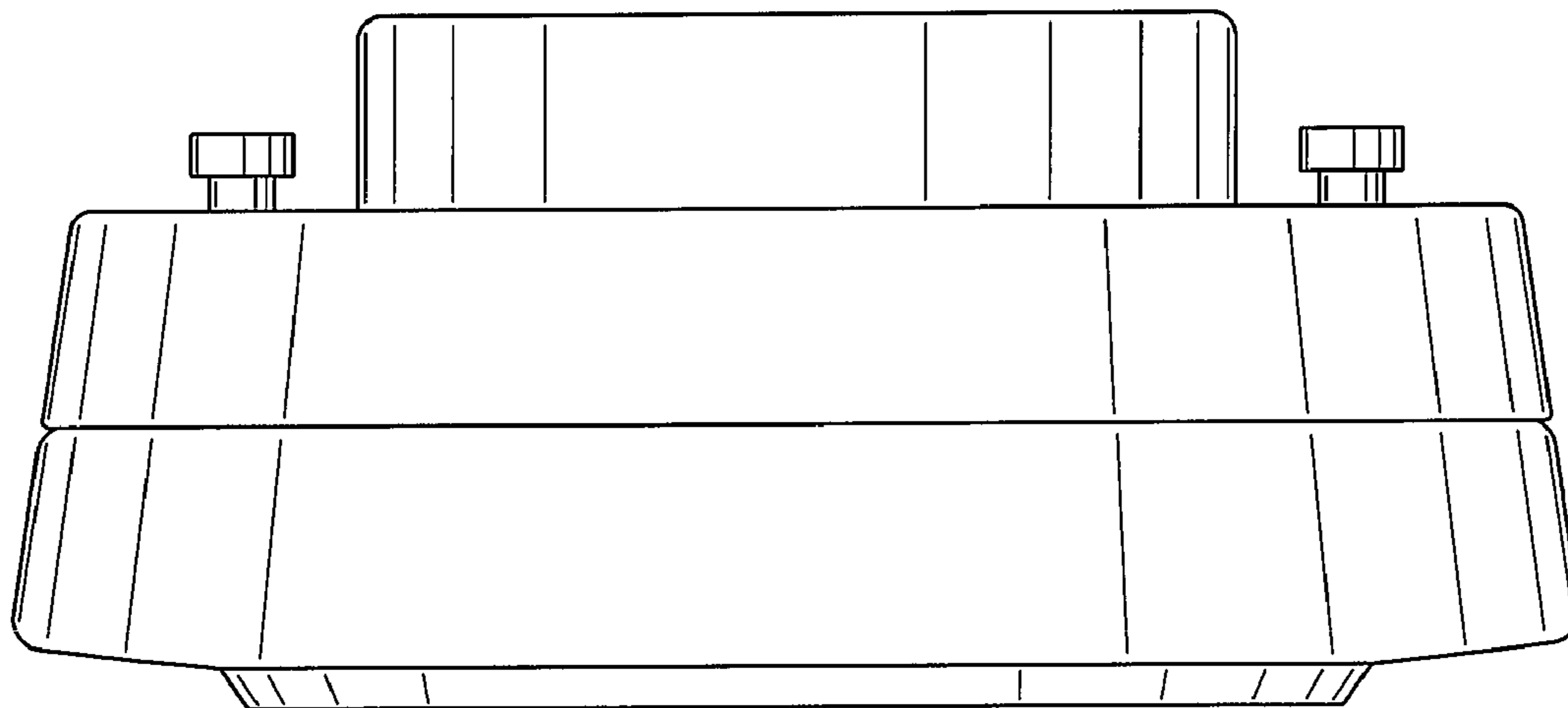


FIG. 2

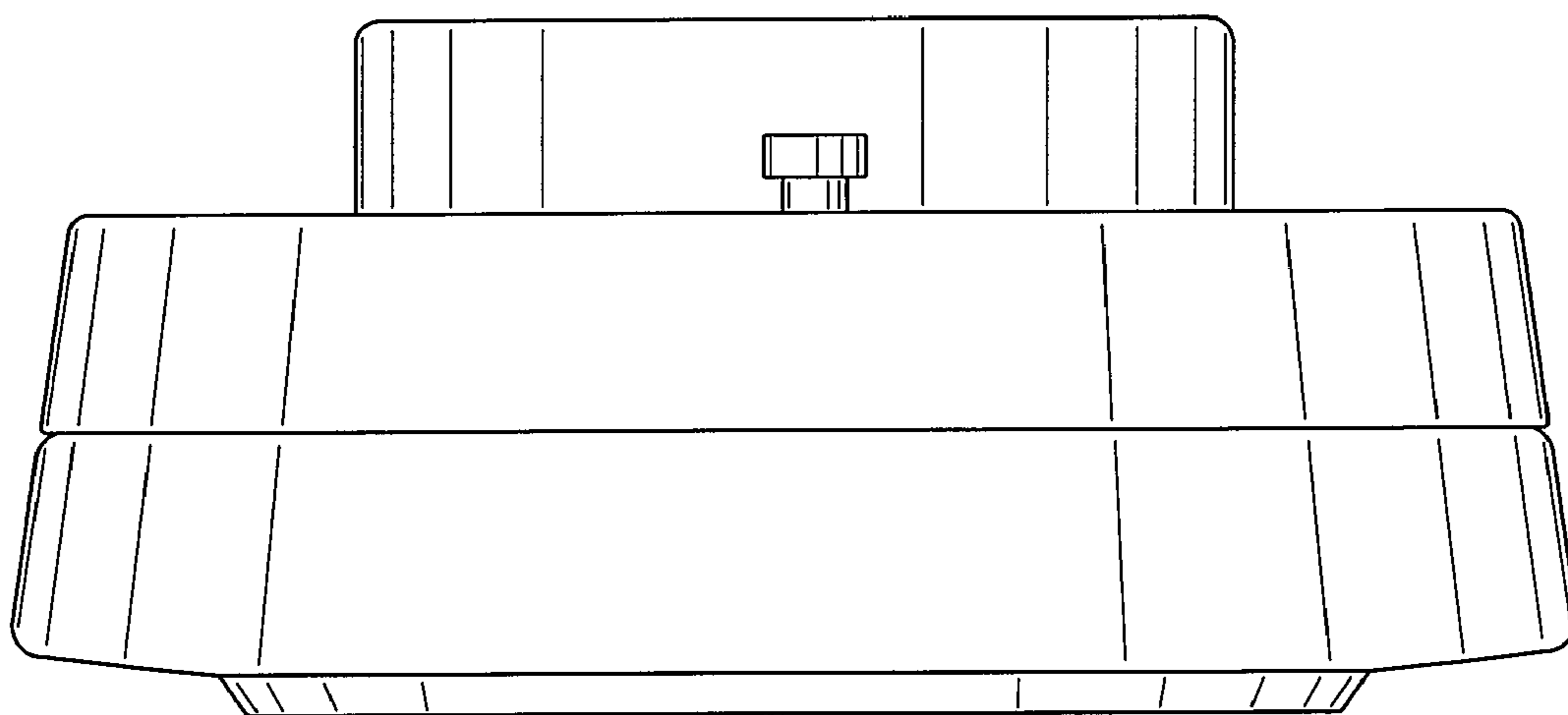


FIG. 3

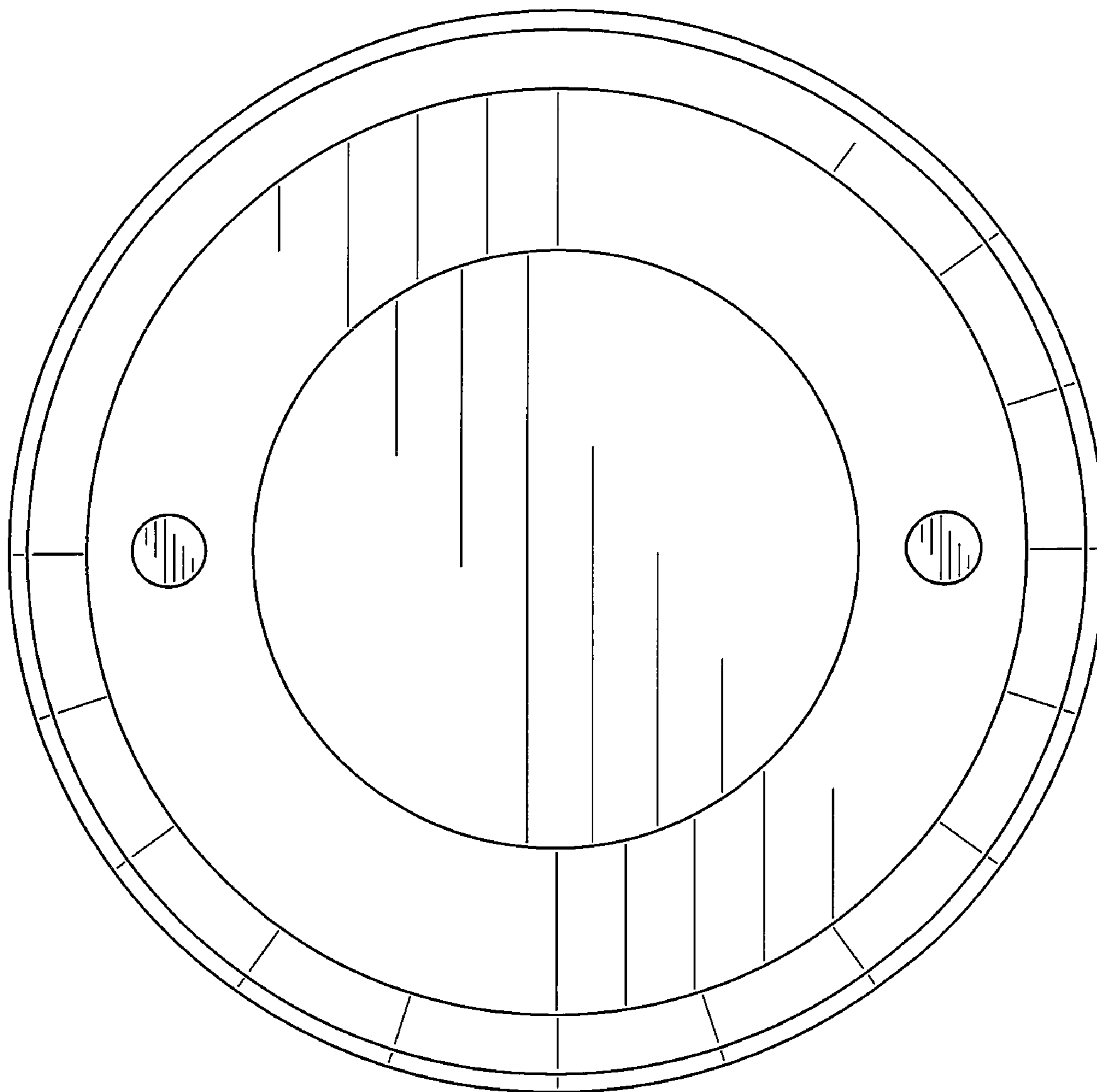


FIG. 4

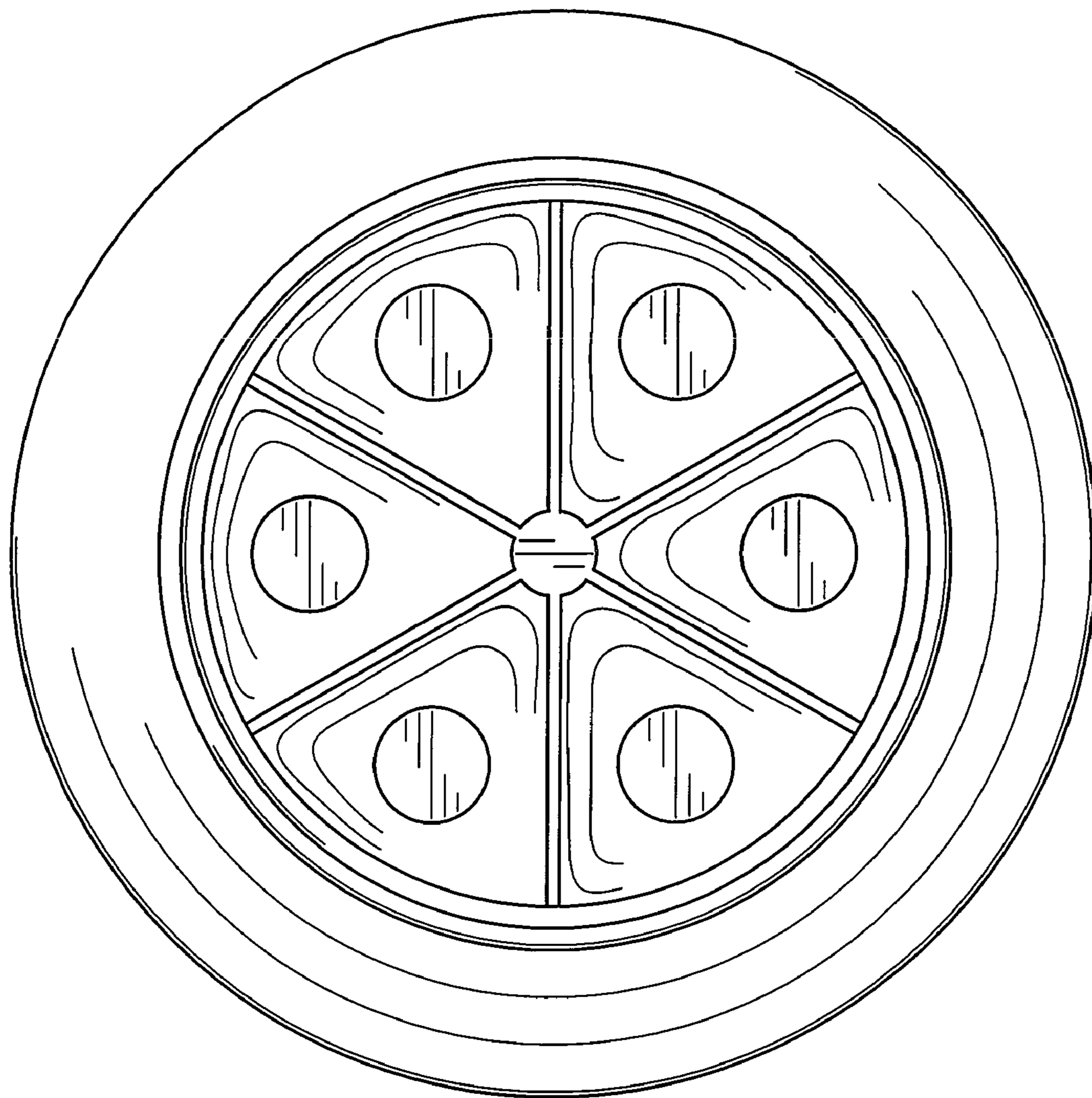


FIG. 5