



US00D583982S

(12) **United States Design Patent**
Meyer et al.

(10) **Patent No.:** **US D583,982 S**
(45) **Date of Patent:** **** Dec. 30, 2008**

(54) **LUMINAIRE**

(75) Inventors: **Richard O. Meyer**, Providence, RI (US); **James N. Neeld**, Riverton, RI (US); **Paul J. Shapiro**, Riverside, RI (US); **Christine Purcell**, Pasadena, CA (US); **John Fiegner**, Marblehead, MA (US); **Daniel Armstrong**, Marblehead, MA (US); **Michael Tinstman**, Revere, MA (US); **Marwan Aylouche**, Marblehead, MA (US)

(73) Assignee: **Genlyte Thomas Group LLC**, Louisville, KY (US)

(**) Term: **14 Years**

(21) Appl. No.: **29/317,411**

(22) Filed: **Apr. 29, 2008**

(51) **LOC (8) Cl.** **26-03**

(52) **U.S. Cl.** **D26/89**

(58) **Field of Classification Search** D26/57, D26/72, 79, 85, 88, 89, 101, 127, 146, 147, D26/156; 362/147, 404, 433, 451, 453-456
See application file for complete search history.

(56) **References Cited**

U.S. PATENT DOCUMENTS

D51,967 S * 4/1918 Adam D26/89

D326,731 S * 6/1992 Chaubard D26/85
D459,525 S * 6/2002 Barry D26/88
D497,447 S * 10/2004 Yoneda D26/72
D547,483 S * 7/2007 Pickett D26/89
D549,385 S * 8/2007 Lissoni D26/89
D558,386 S * 12/2007 Bickler et al. D26/89
D564,696 S * 3/2008 Hetfield et al. D26/88

OTHER PUBLICATIONS

“Pabo” pendant lamp on p. 336 of the Ikea 2007 Catalog.*

* cited by examiner

Primary Examiner—Clare E Heflin

(74) *Attorney, Agent, or Firm*—John F. Salazar; Middleton Reutlinger

(57) **CLAIM**

The ornamental design for a luminaire, as shown and described.

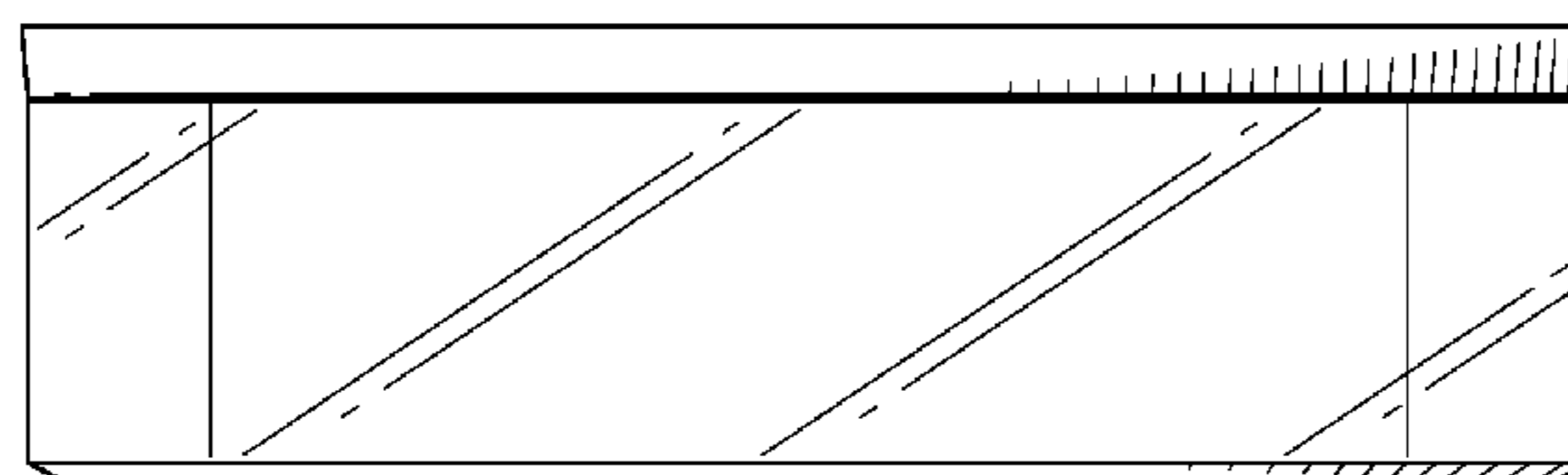
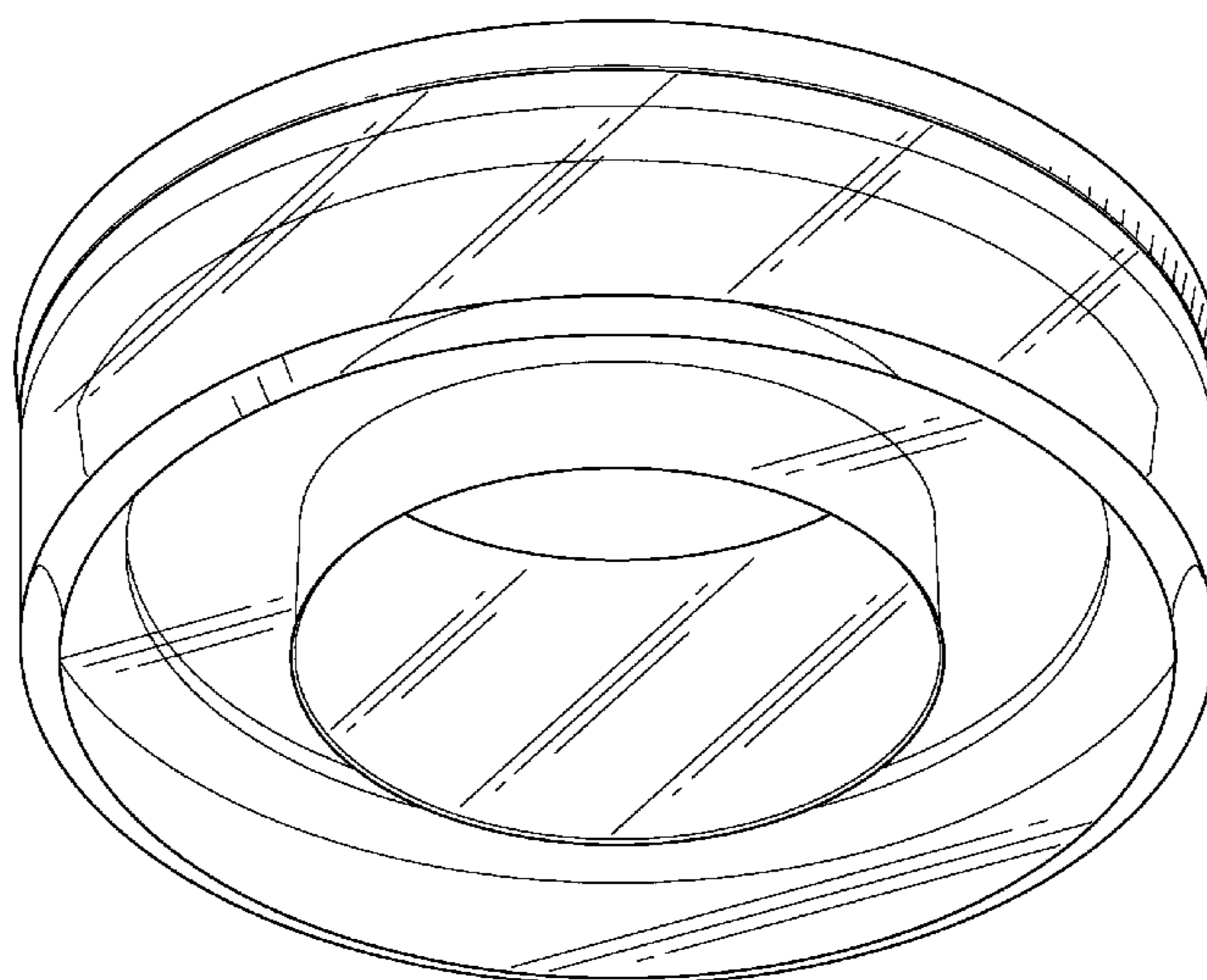
DESCRIPTION

FIG. 1 is a bottom perspective view of the luminaire of the present invention;

FIG. 2 is a bottom view of the design of the present invention; and,

FIG. 3 is a side view of the design of the present invention.

1 Claim, 2 Drawing Sheets



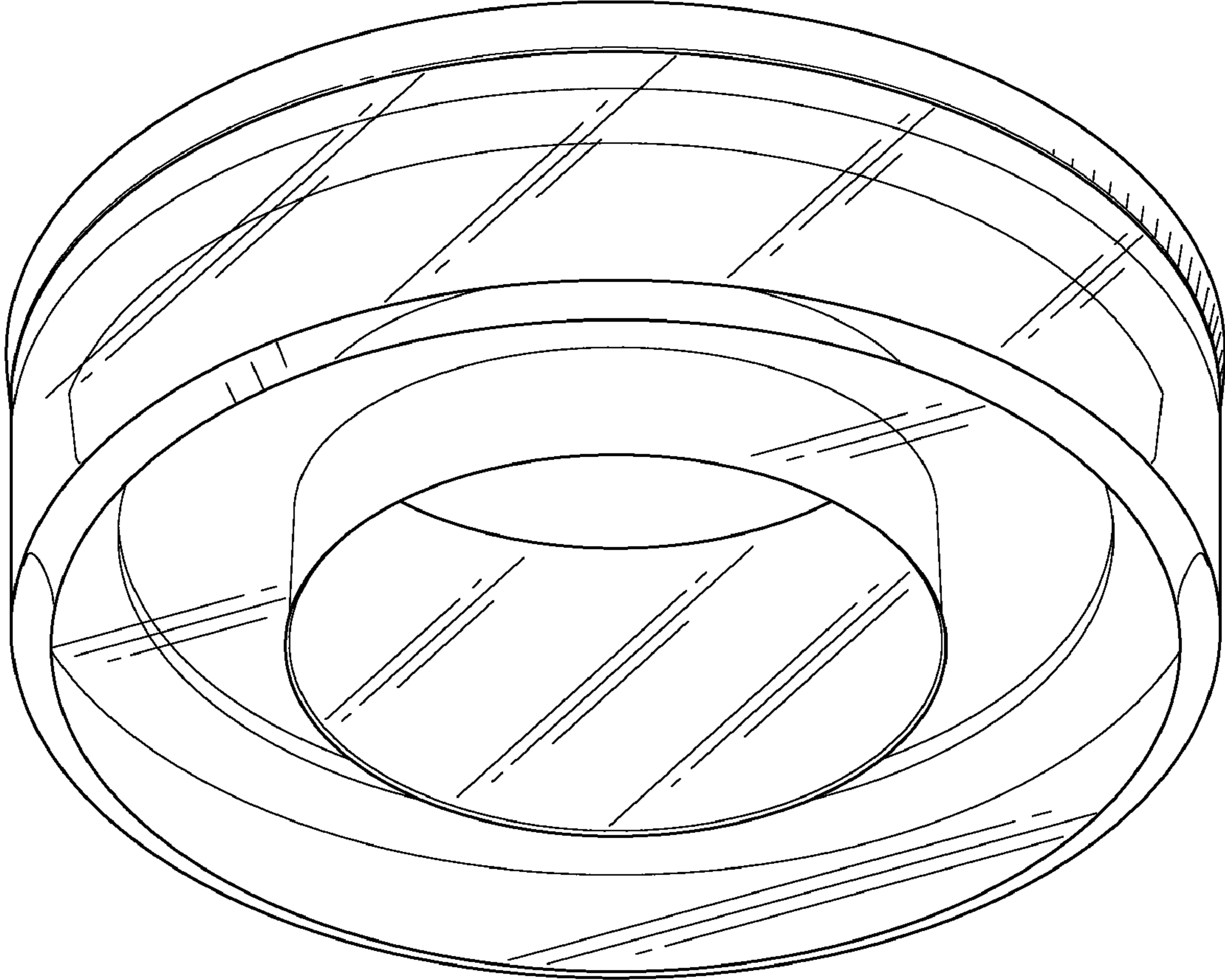


FIG. 1

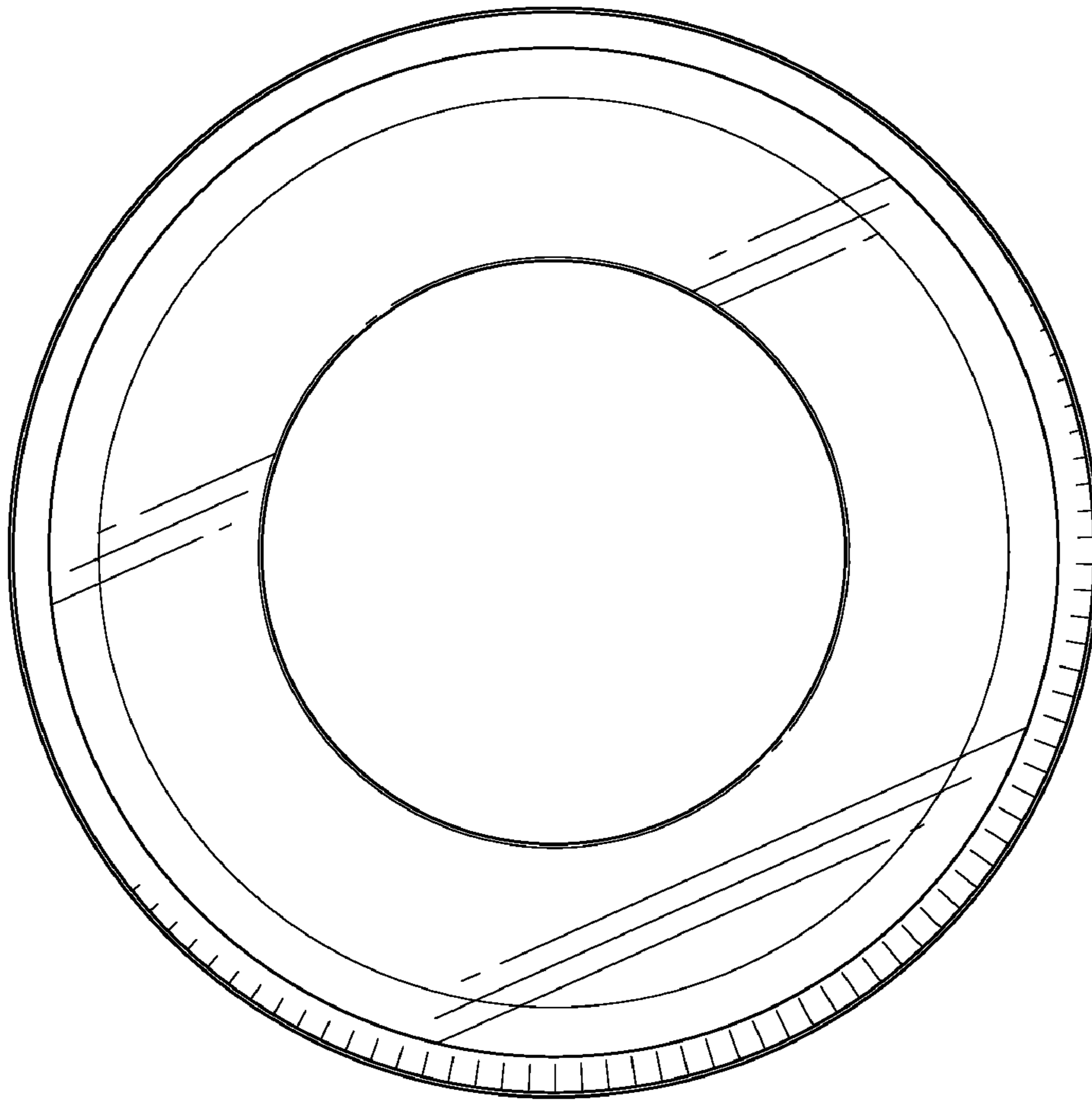


FIG. 2

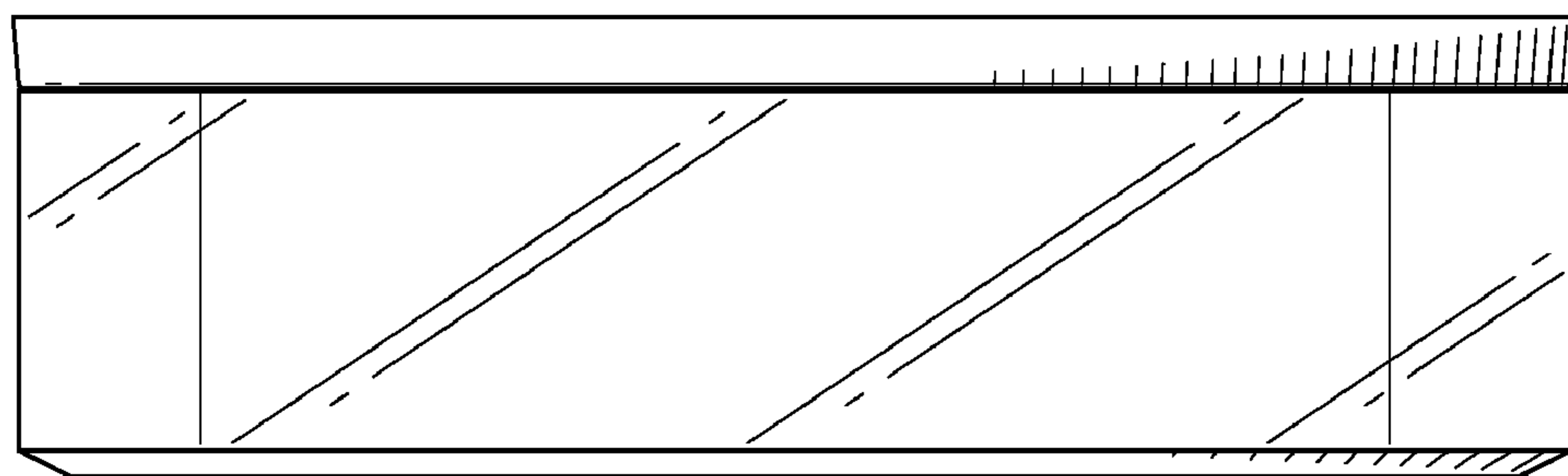


FIG. 3