



US00D583980S

(12) **United States Design Patent**
Guercio

(10) **Patent No.:** **US D583,980 S**

(45) **Date of Patent:** **** Dec. 30, 2008**

(54) **LIGHTING FIXTURE**

(75) Inventor: **Vincenzo Guercio**, Wallkill, NY (US)

(73) Assignee: **RABL Lighting, Inc.**, Northvale, NJ (US)

(**) Term: **14 Years**

(21) Appl. No.: **29/296,734**

(22) Filed: **Oct. 26, 2007**

(51) **LOC (8) Cl.** **26-03**

(52) **U.S. Cl.** **D26/88**

(58) **Field of Classification Search** D26/71,
D26/72, 85, 87-89, 92; 362/147, 431, 432,
362/371, 375, 340

See application file for complete search history.

(56) **References Cited**

U.S. PATENT DOCUMENTS

D207,414	S	*	4/1967	Lum et al.	D26/88
D235,228	S	*	5/1975	Van Steenhoven	D26/67
D269,639	S	*	7/1983	Eargle et al.	D26/88
D271,428	S	*	11/1983	de Vos et al.	D26/85
4,654,768	A	*	3/1987	Dryman et al.	362/374
D302,737	S	*	8/1989	Hoke et al.	D26/88
D418,938	S	*	1/2000	McCartney et al.	D26/88
6,733,158	B2	*	5/2004	Fischer et al.	362/404

D544,127 S * 6/2007 Posey et al. D26/88

OTHER PUBLICATIONS

Lumark High and Low Bay Light Fixtures found at <http://www.specialty-lights.com/highbay.html> on Apr. 14, 2008.*

4 Photographs of common Low Bay designs sold by RAB Lighting, Northvale, NJ since Dec. 2006.

* cited by examiner

Primary Examiner—Clare H Heflin

(74) *Attorney, Agent, or Firm*—Overhauser Law Offices LLC

(57) **CLAIM**

The ornamental design for a lighting fixture, as shown and described.

DESCRIPTION

FIG. 1 is a perspective view of a lighting fixture showing my new design;

FIG. 2 is a further perspective view thereof;

FIG. 3 is a side view thereof;

FIG. 4 is a front view thereof;

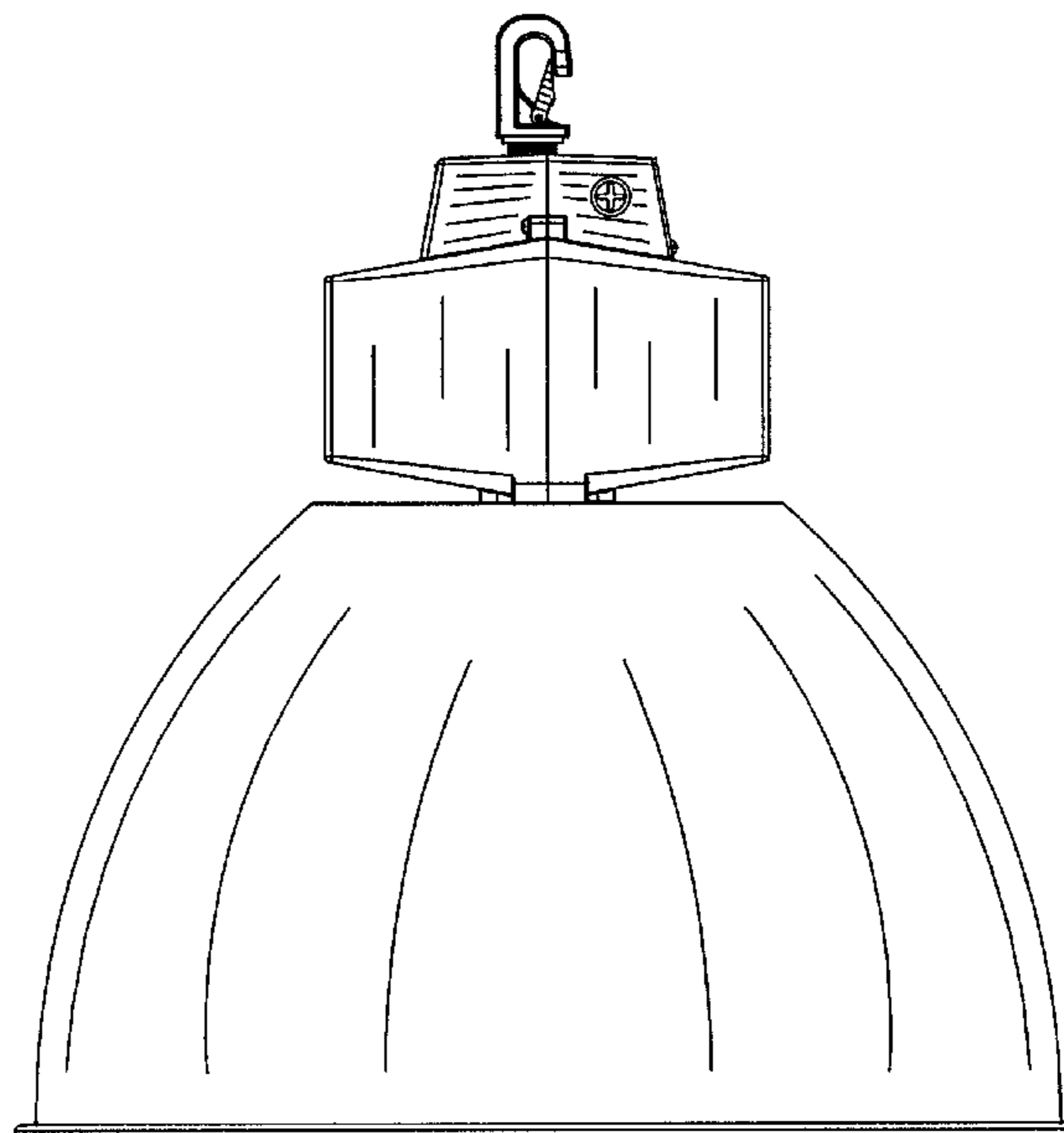
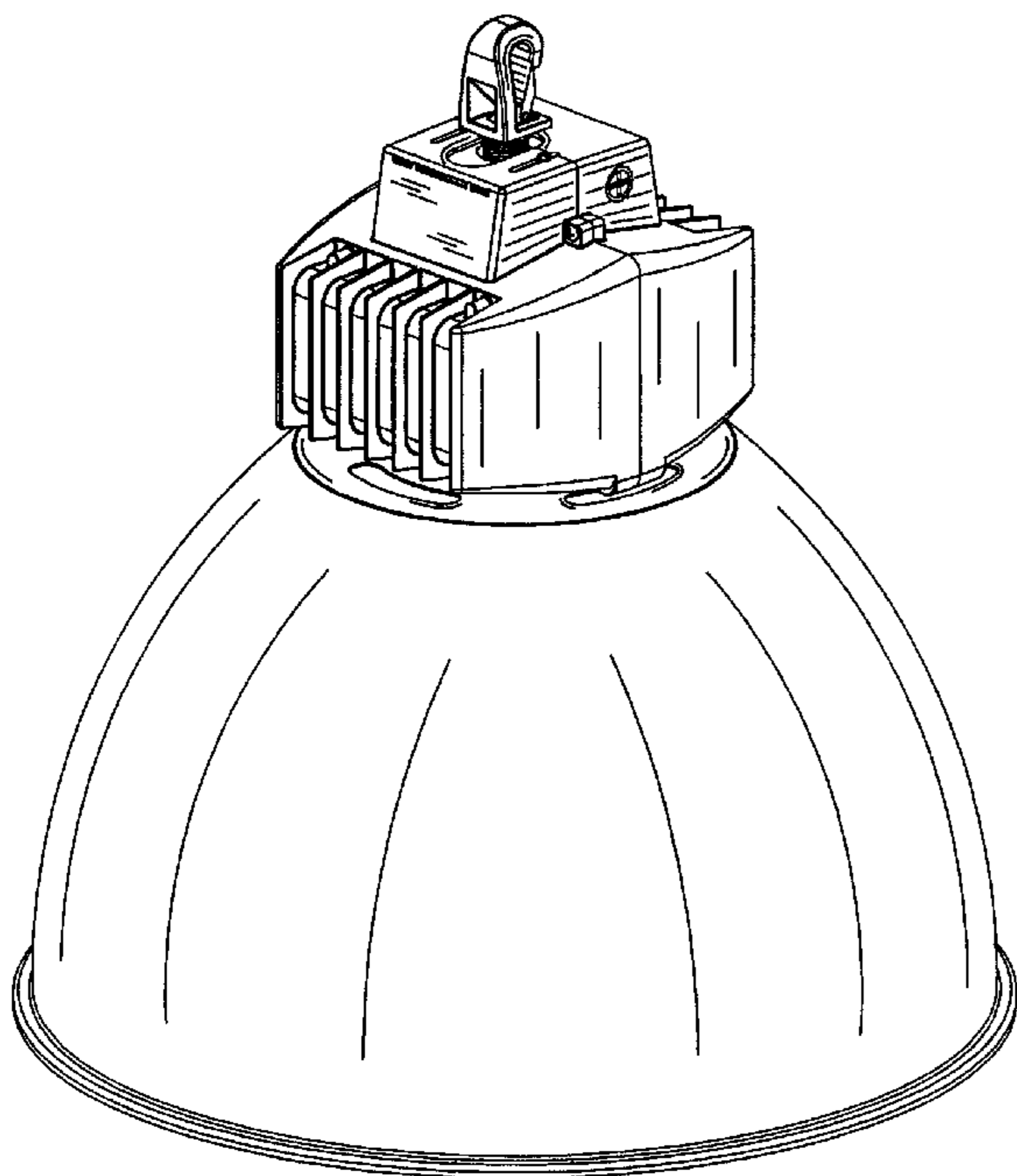
FIG. 5 is a rear view thereof;

FIG. 6 is an opposite side view thereof;

FIG. 7 is a top view thereof; and,

FIG. 8 is a bottom view thereof.

1 Claim, 8 Drawing Sheets



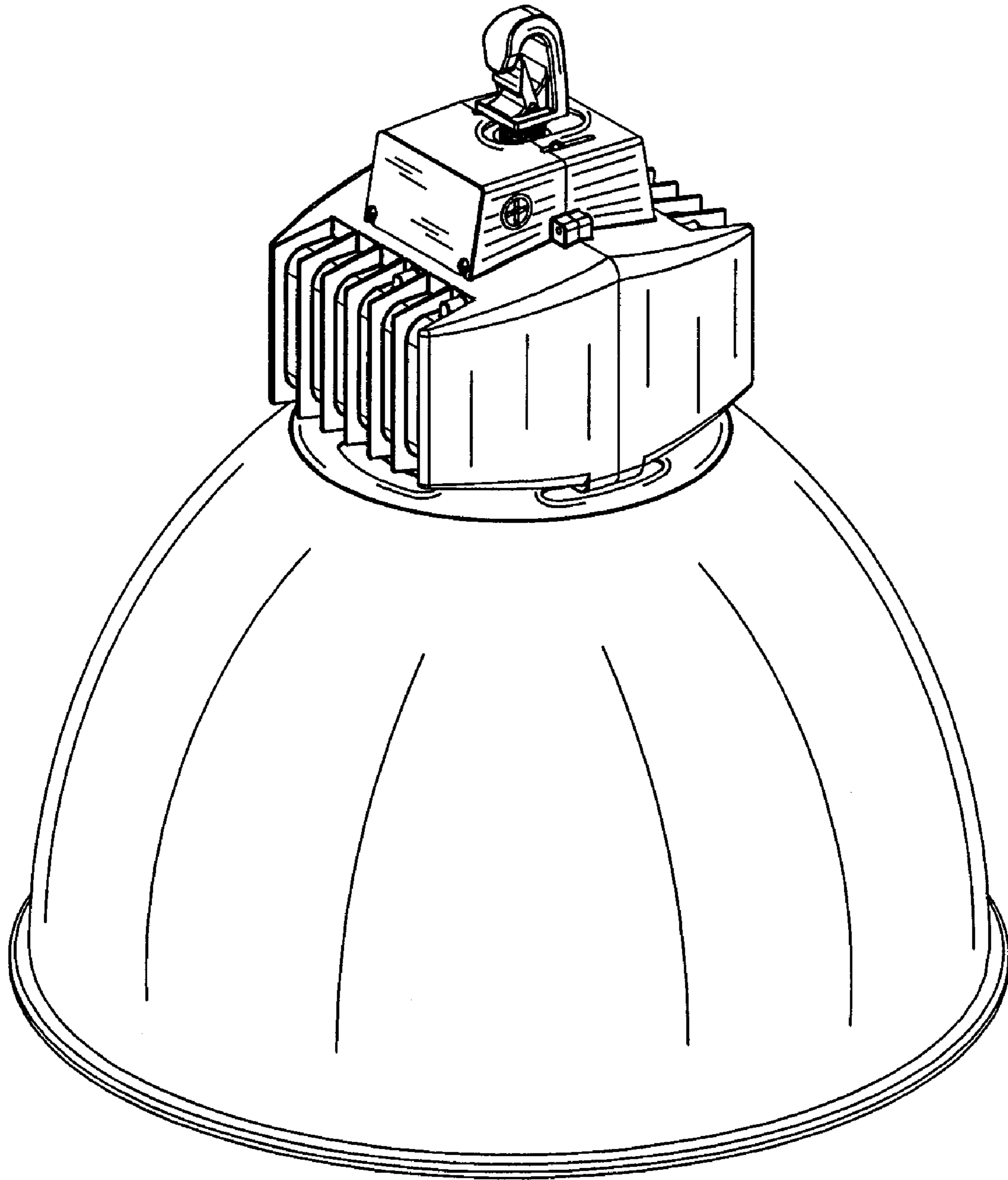


FIG. 1

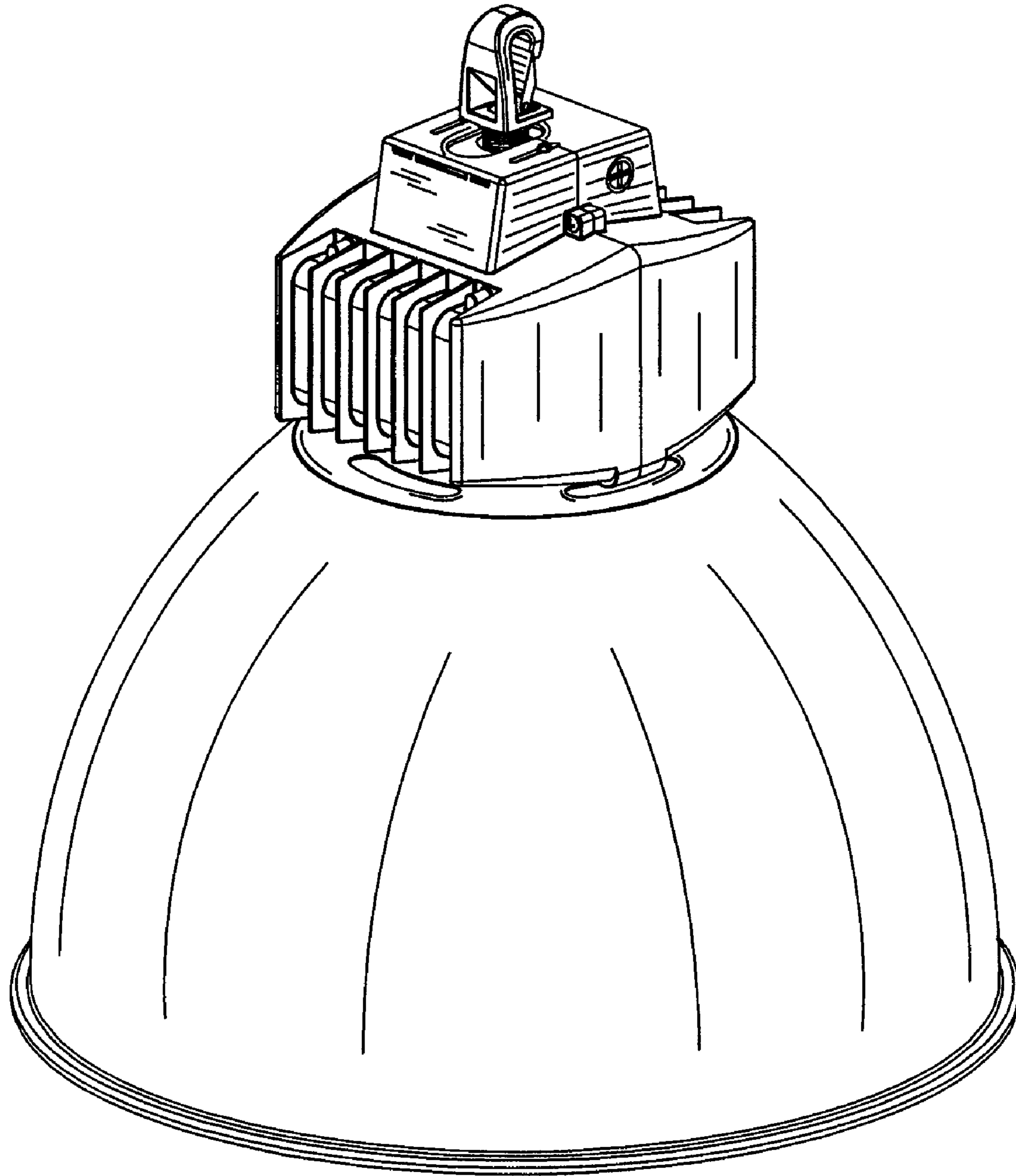


FIG. 2

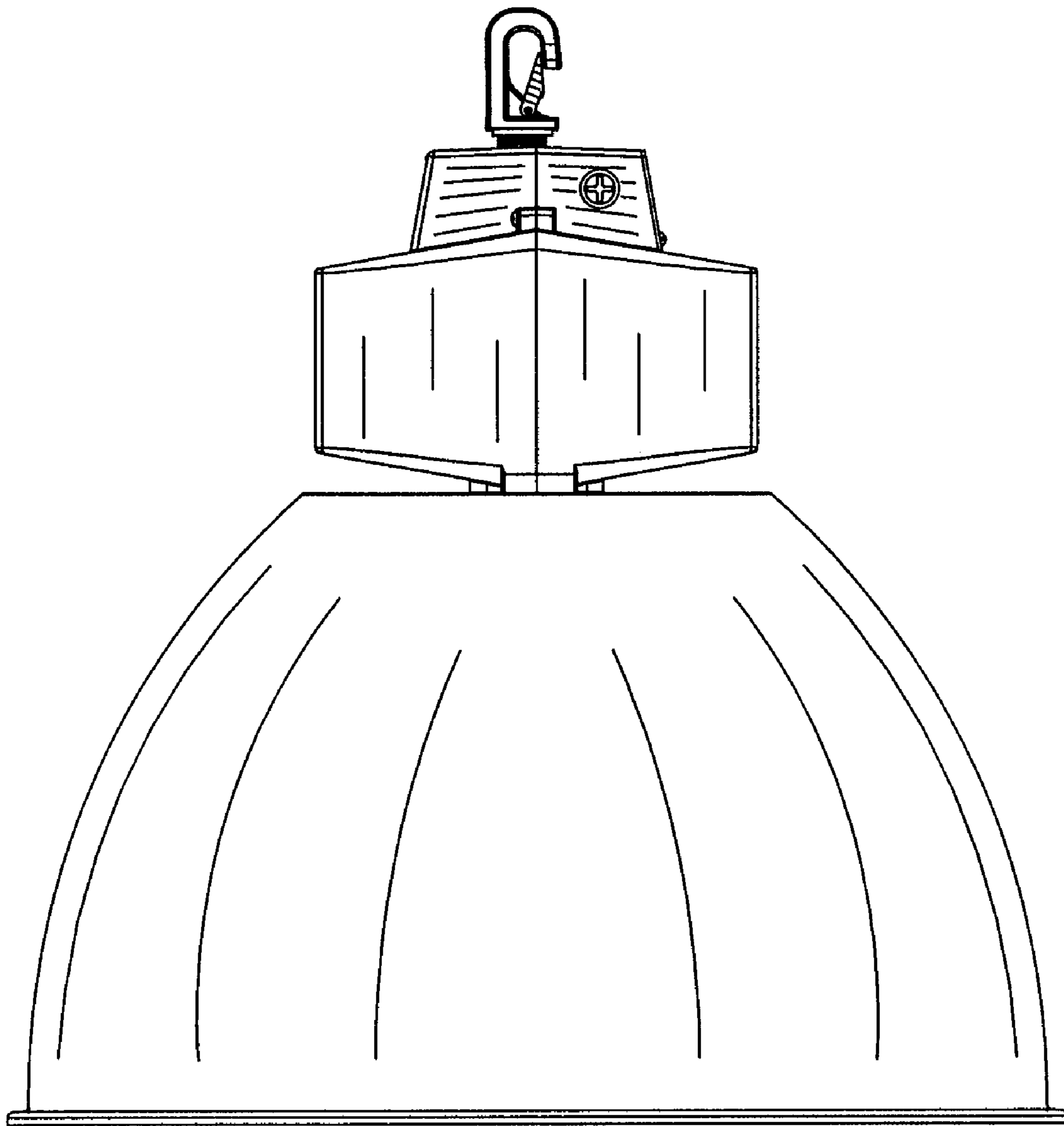


FIG. 3

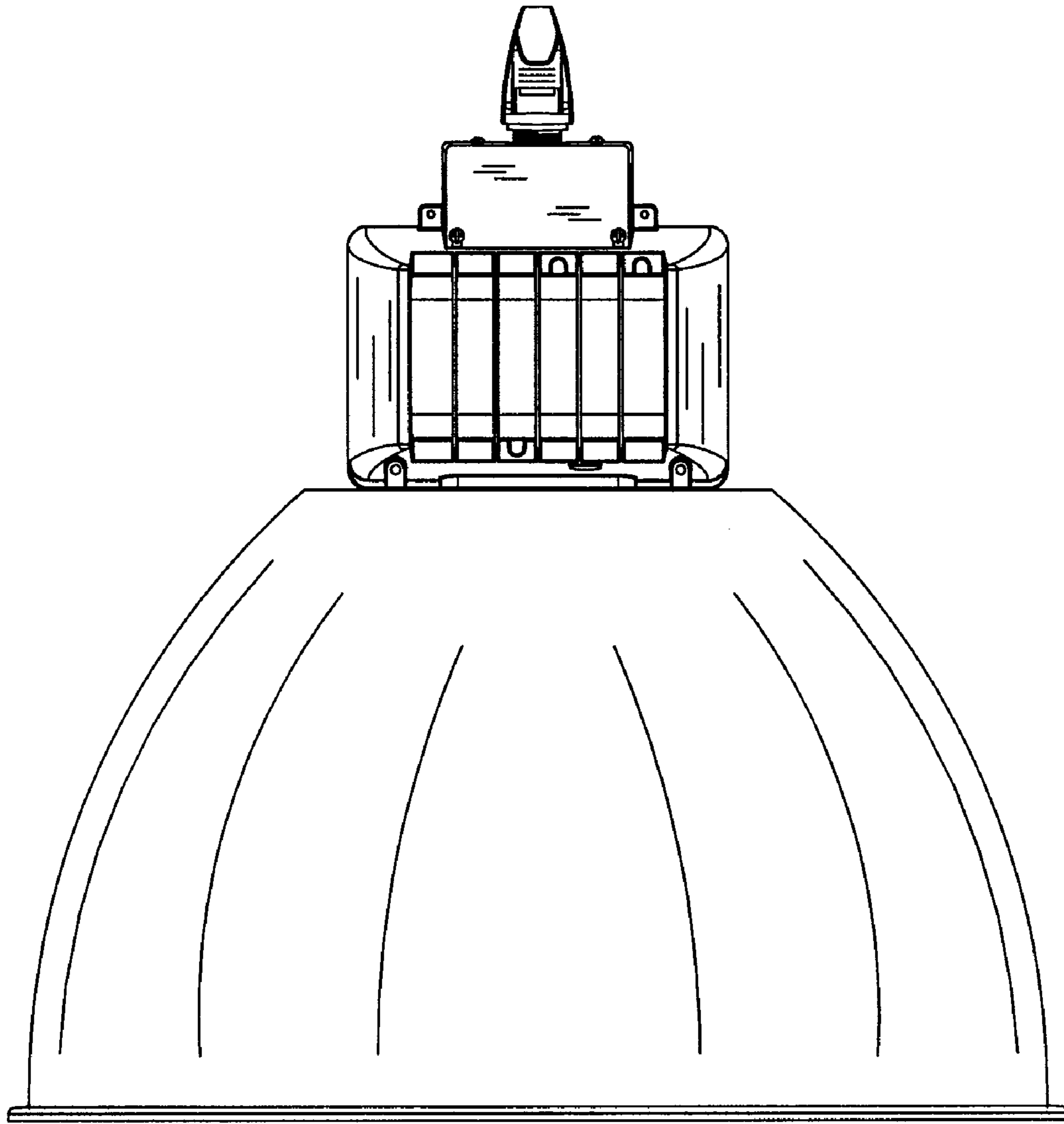


FIG. 4

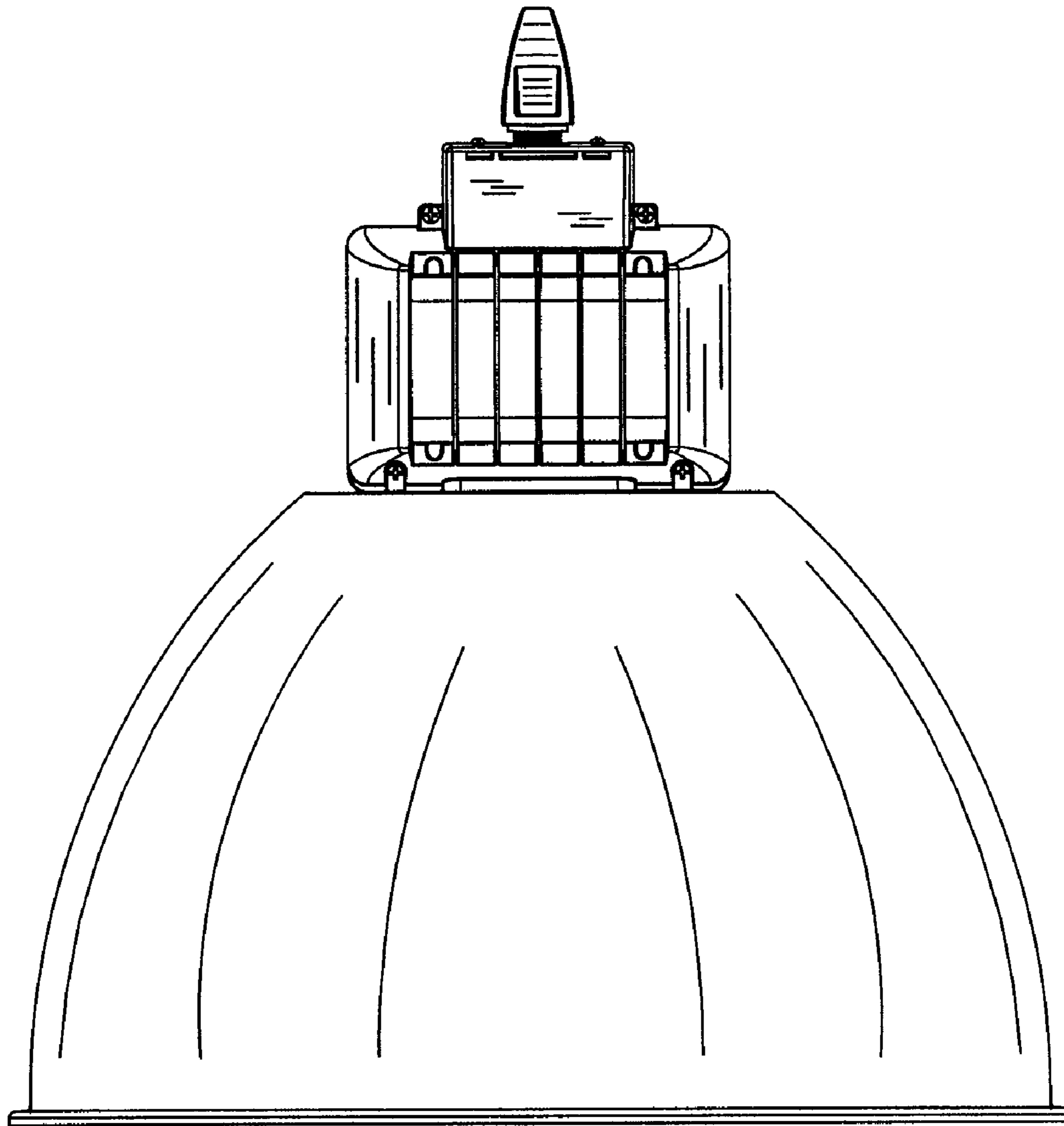


FIG. 5

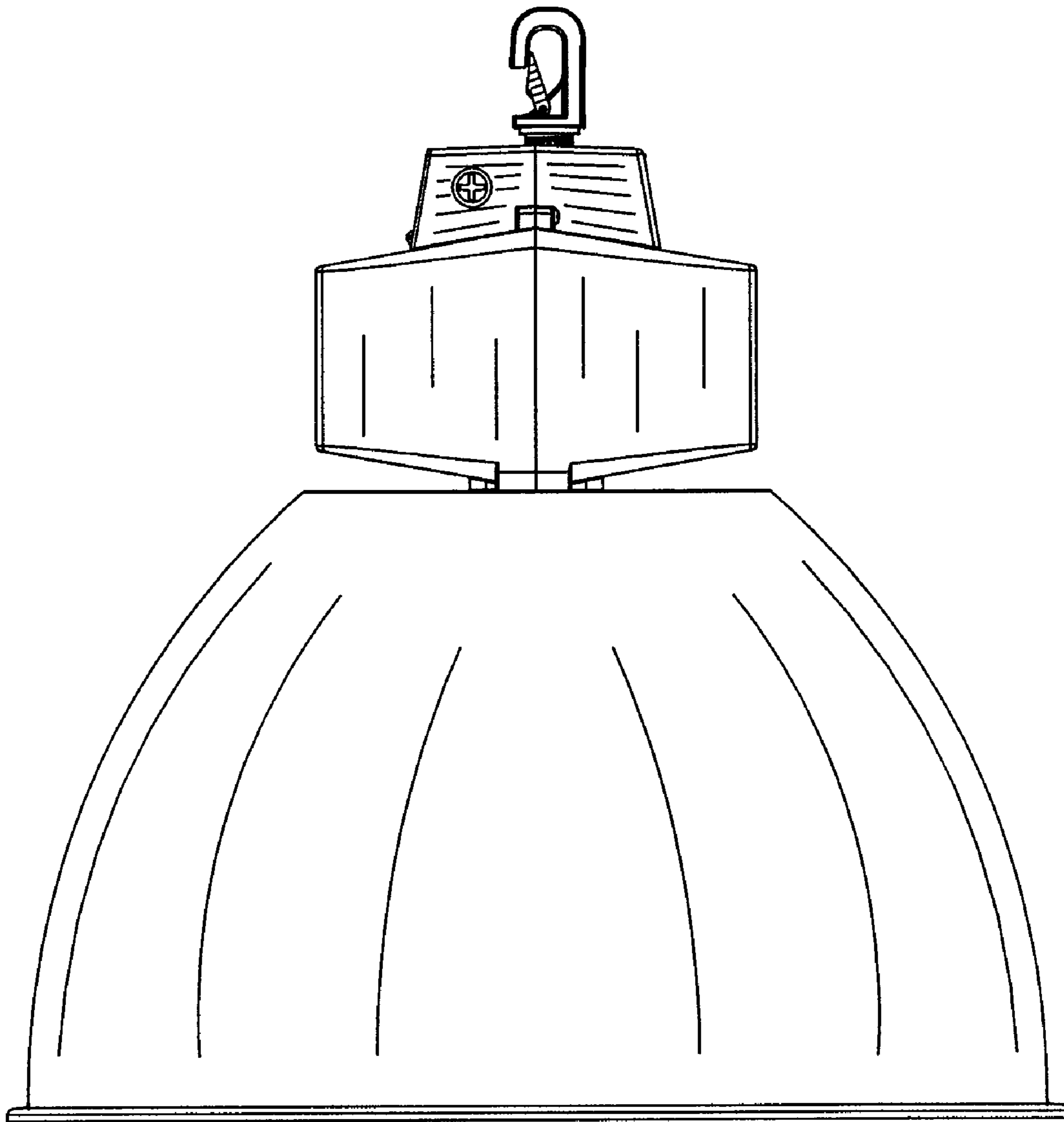


FIG. 6

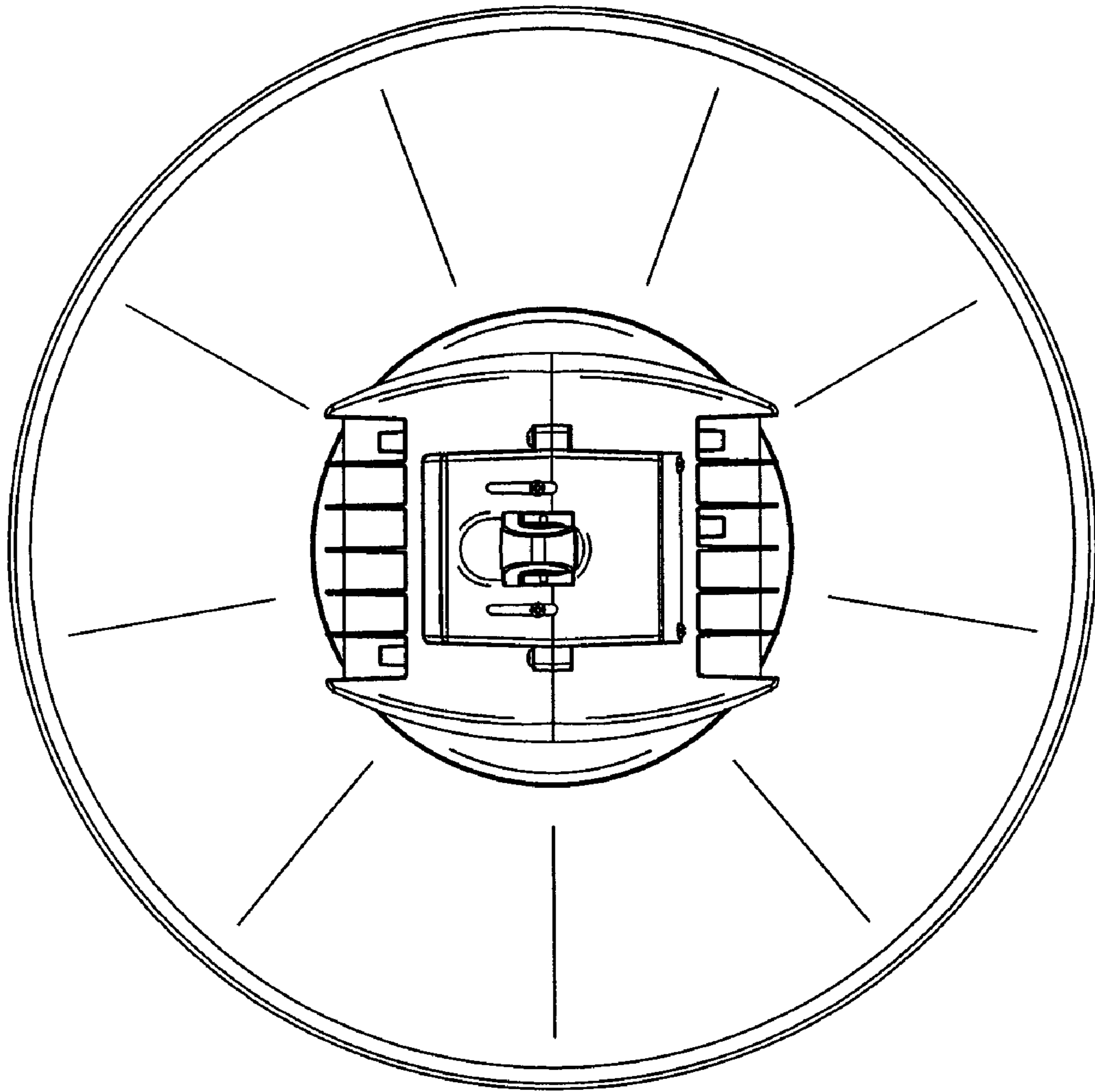


FIG. 7

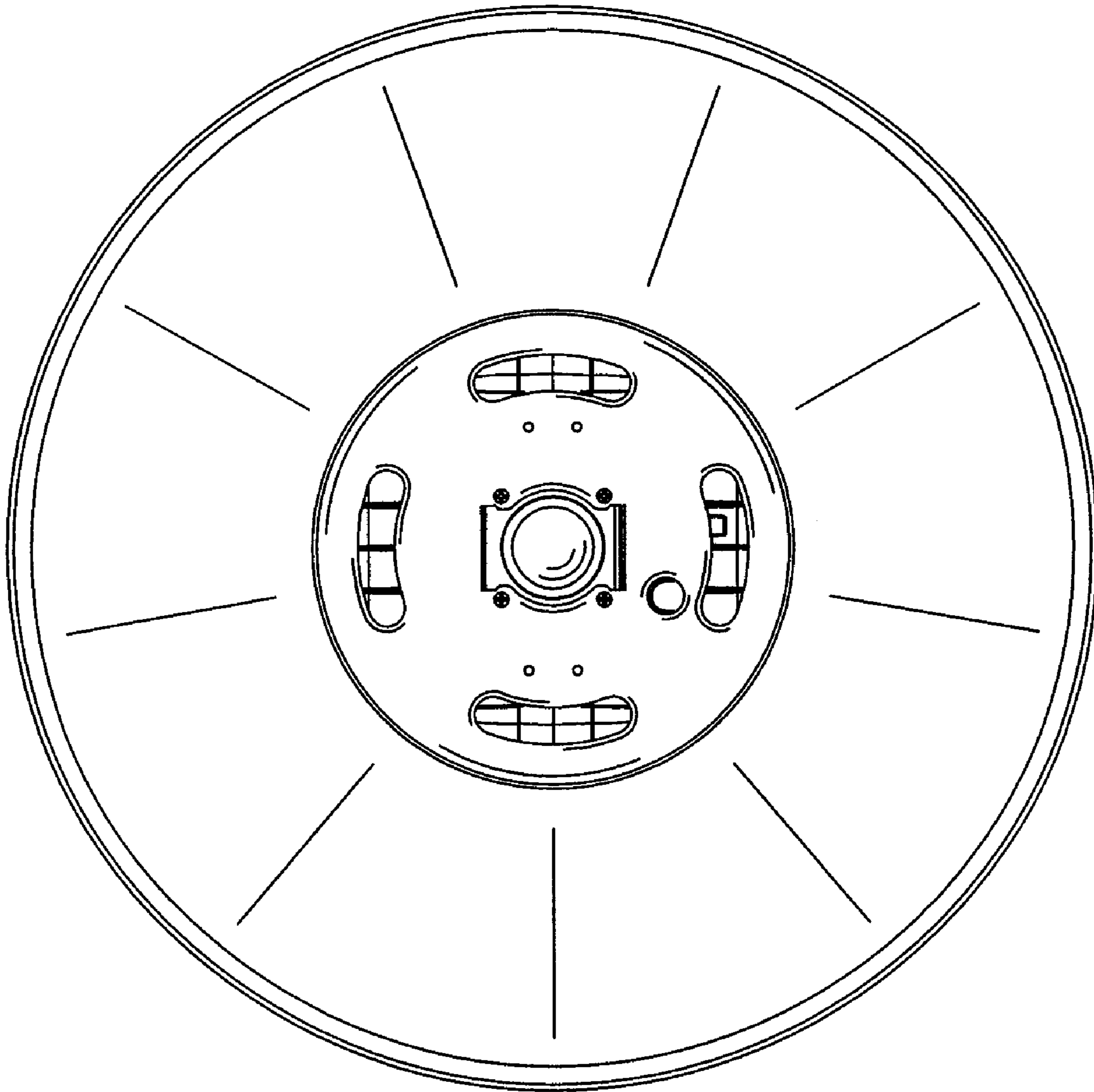


FIG. 8

UNITED STATES PATENT AND TRADEMARK OFFICE
CERTIFICATE OF CORRECTION

PATENT NO. : Des. 583,980 S
APPLICATION NO. : 29/296734
DATED : December 30, 2008
INVENTOR(S) : Vincenzo Guercio

Page 1 of 1

It is certified that error appears in the above-identified patent and that said Letters Patent is hereby corrected as shown below:

On the Title page of the issued patent certificate, the Assignee is listed as “RABL Lighting, Inc.”; however, the correct spelling of the Assignee should be changed to read “RAB Lighting, Inc.”

Signed and Sealed this

Twenty-fourth Day of February, 2009



JOHN DOLL

Acting Director of the United States Patent and Trademark Office