



US00D583977S

(12) **United States Design Patent**
Guercio

(10) **Patent No.:** **US D583,977 S**
(45) **Date of Patent:** **** Dec. 30, 2008**

(54) **WALLPACK**

(75) Inventor: **Vincenzo Guercio**, Wallkill, NY (US)

(73) Assignee: **RAB Lighting, Inc.**, Northvale, NJ (US)

(**) Term: **14 Years**

(21) Appl. No.: **29/305,255**

(22) Filed: **Mar. 17, 2008**

(51) **LOC (8) Cl.** **26-03**

(52) **U.S. Cl.** **D26/85**

(58) **Field of Classification Search** D26/63,
D26/71, 72, 85, 92; 362/145, 147, 432, 282,
362/351, 362, 36, 404-408

See application file for complete search history.

(56) **References Cited**

U.S. PATENT DOCUMENTS

D190,385 S *	5/1961	Schreckengost	D26/85
D272,193 S *	1/1984	Sangiomo	D26/85
D336,964 S *	6/1993	Janssen et al.	D26/85
D390,999 S *	2/1998	Gaskins et al.	D26/85
D444,258 S *	6/2001	Bradford et al.	D26/87
D456,928 S *	5/2002	Russello et al.	D26/85
D494,701 S *	8/2004	Campbell	D26/85
D561,377 S *	2/2008	Guercio	D26/85

OTHER PUBLICATIONS

TWR Wall-Paks on p. 474 of the Lithonia Lighting catalog from Acuity Brands; dated Mar. 25, 2003. (2 pages).*

All Lumark Wall Mounts, from "Impact-Cylinder" to "Z-Pak Cut-off", from Cooper Industries, Inc. © 2004 (5 pages).*

"Cooper Lighting-Lumark®, Impact Wedge" Sep. 1, 2006, 2 pages, Cooper Lighting, Peachtree City, GA, available at www.cooperlighting.com.

"Direct Mount 16" Full Cutoff Wall Pack, GWCO-16 Series" Feb. 23, 2007, 2 pages, Ruud Lighting Inc., Racine, WI, available at www.ruudlighting.com.

"Cooper Lighting-Lumark®, Impact Cylinder" Jul. 2, 2007, 2 pages, Cooper Lighting, Peachtree City, GA, available at www.cooperlighting.com.

"NytePro Architectural cut-Off Series Wallprism, Catalog Page" Jul. 2004, 1 pages, Crescent Stonco, Union, New Jersey, available at www.stoncolighting.com.

"NytePro Architectural cut-Off Series Wallprism, Specification Pages" Jul. 2004, 2 pages, Crescent Stonco, Union, New Jersey, available at www.stoncolighting.com.

"Laredo Full Cutoff Architectural Wallpack," Aug. 2005, 2 pages, Hubbell Outdoor Lighting, Spartanburg, SC, available at www.hubbell-Itg.com.

* cited by examiner

Primary Examiner—Clare E Heflin

(74) *Attorney, Agent, or Firm*—Overhauser Law Offices, LLC

(57) **CLAIM**

The ornamental design for a wallpack, as shown and described.

DESCRIPTION

FIG. 1 is a perspective view of a lighting fixture showing my new design;

FIG. 2 is a side view thereof;

FIG. 3 is a side view thereof;

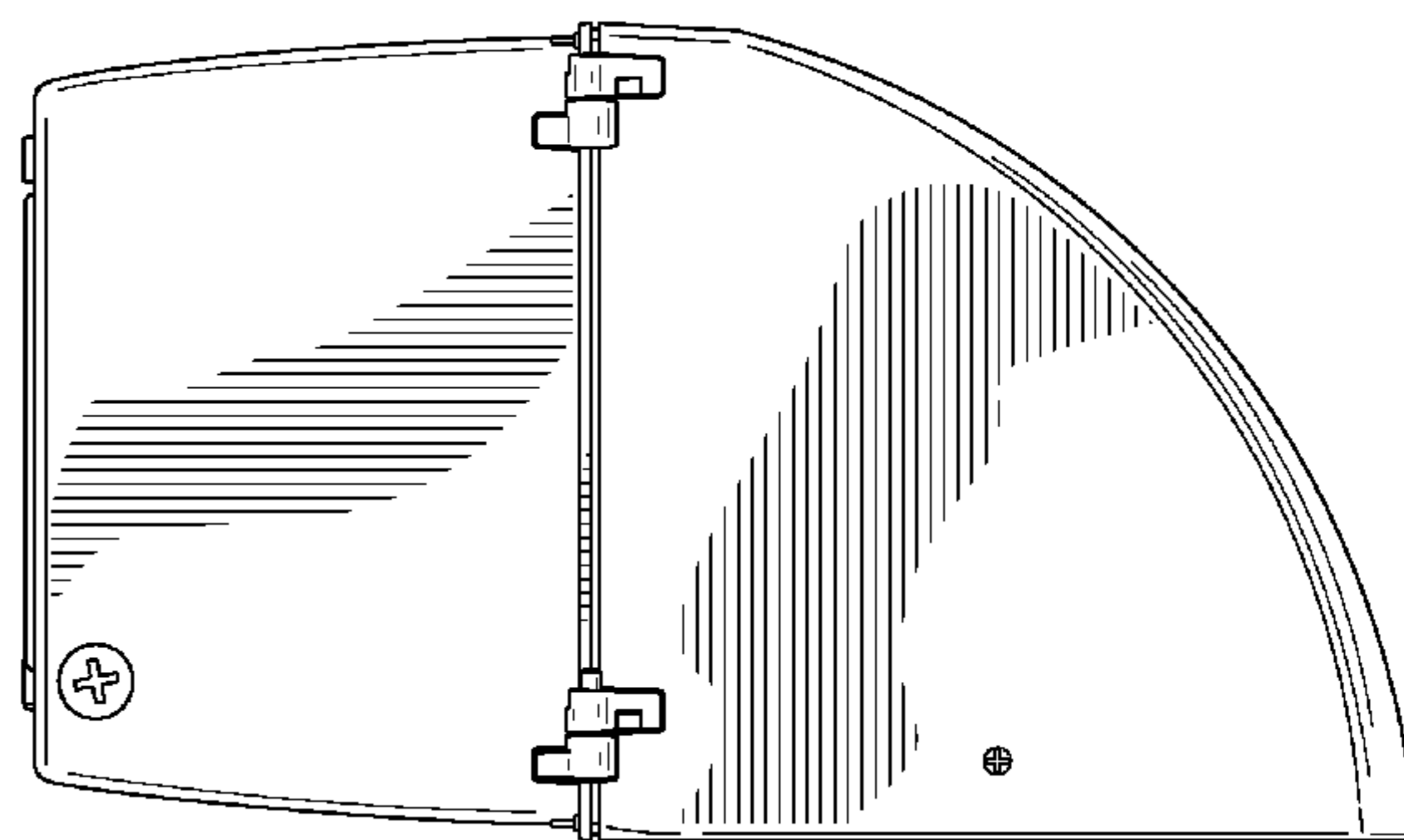
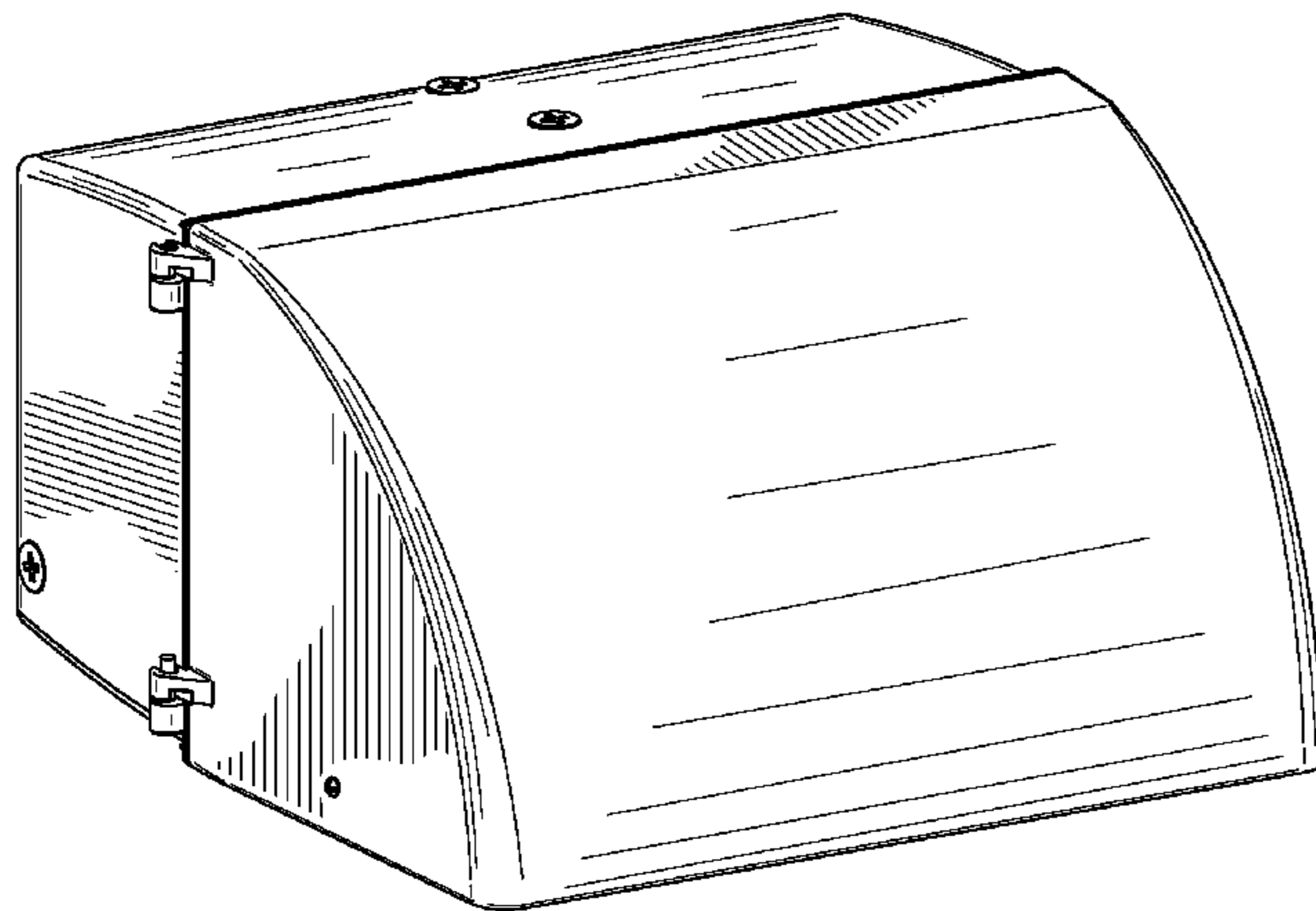
FIG. 4 is a front view thereof;

FIG. 5 is a rear view thereof;

FIG. 6 is a top view thereof; and,

FIG. 7 is a bottom view thereof.

1 Claim, 7 Drawing Sheets



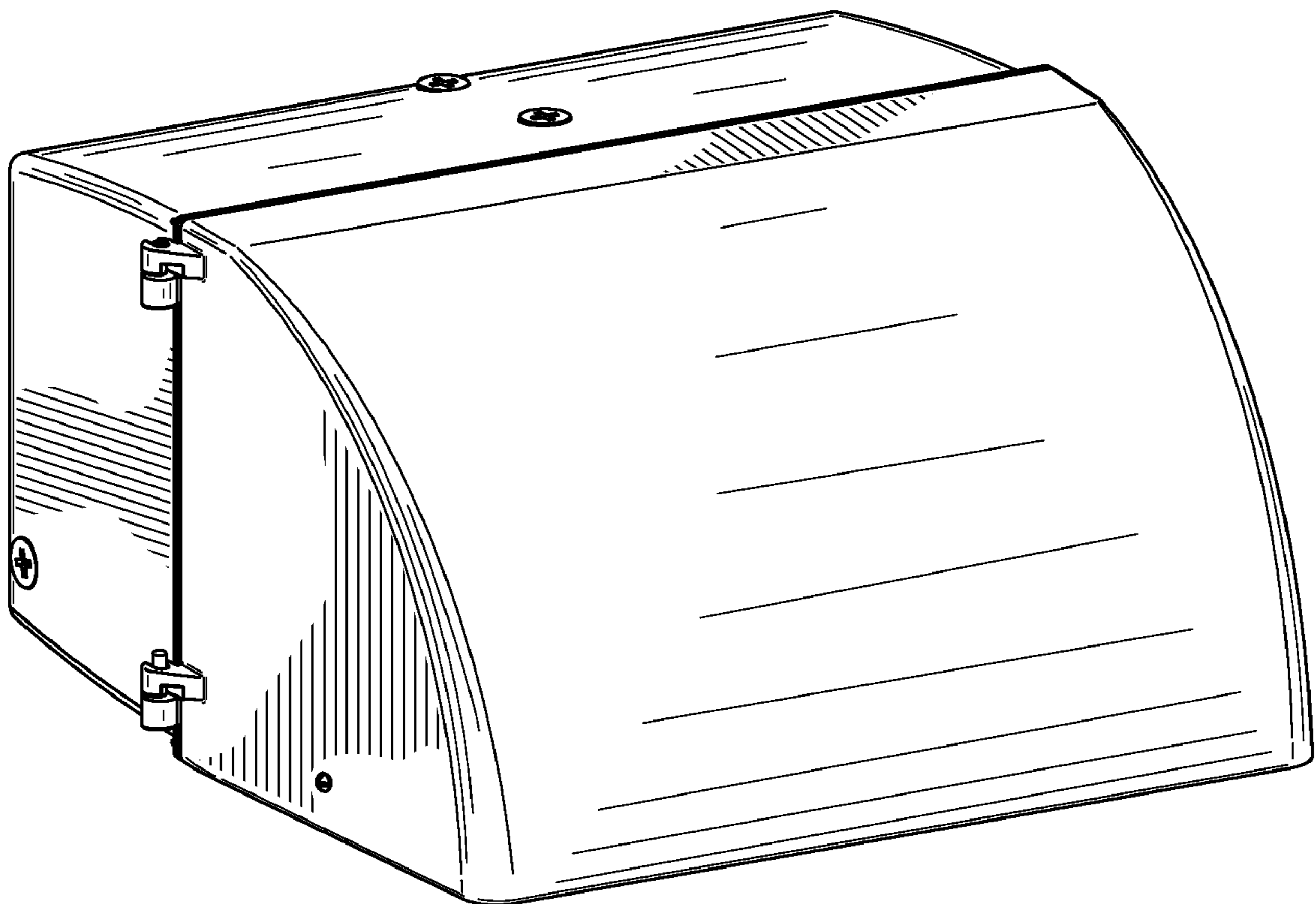


FIG. 1

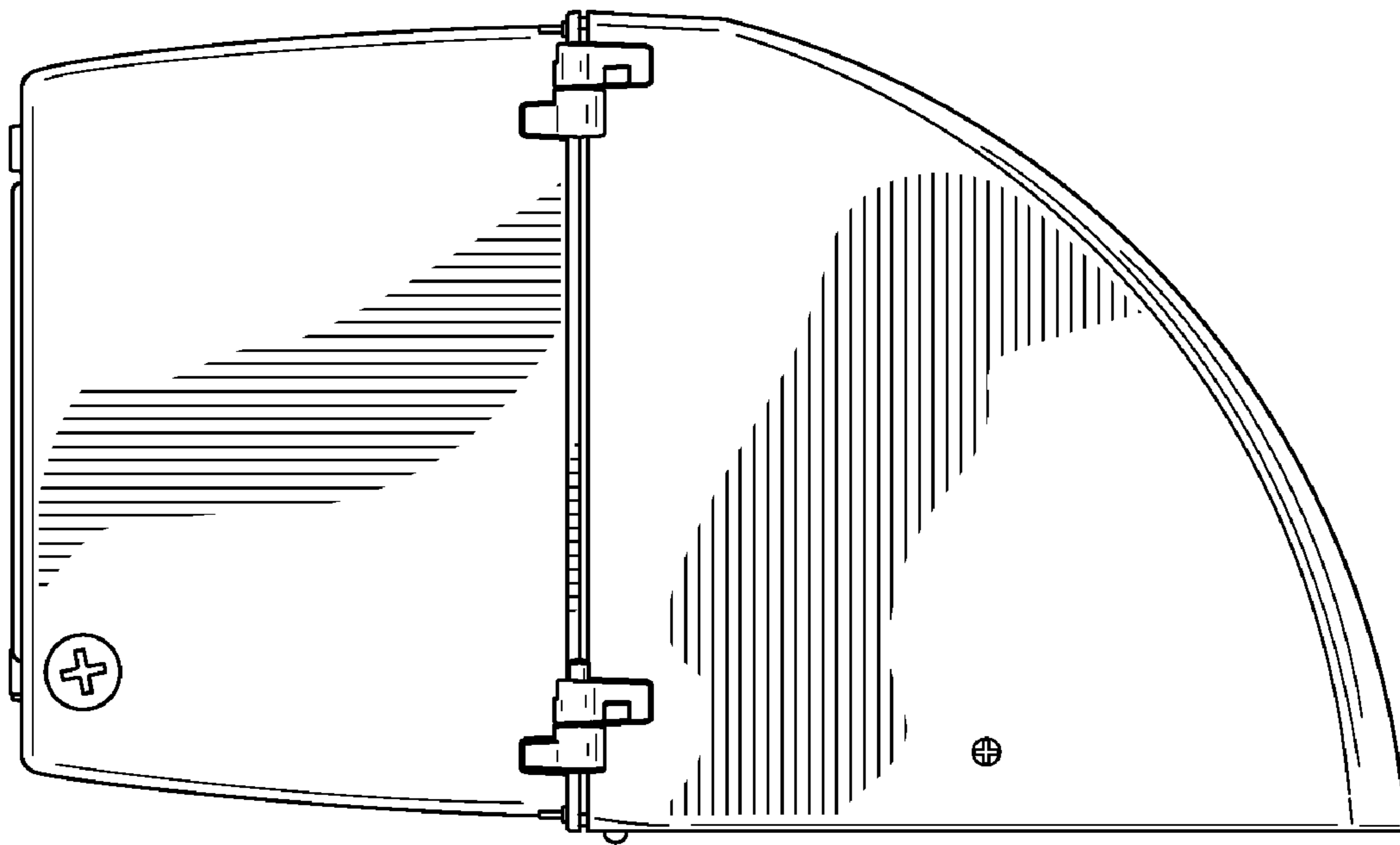


FIG. 2

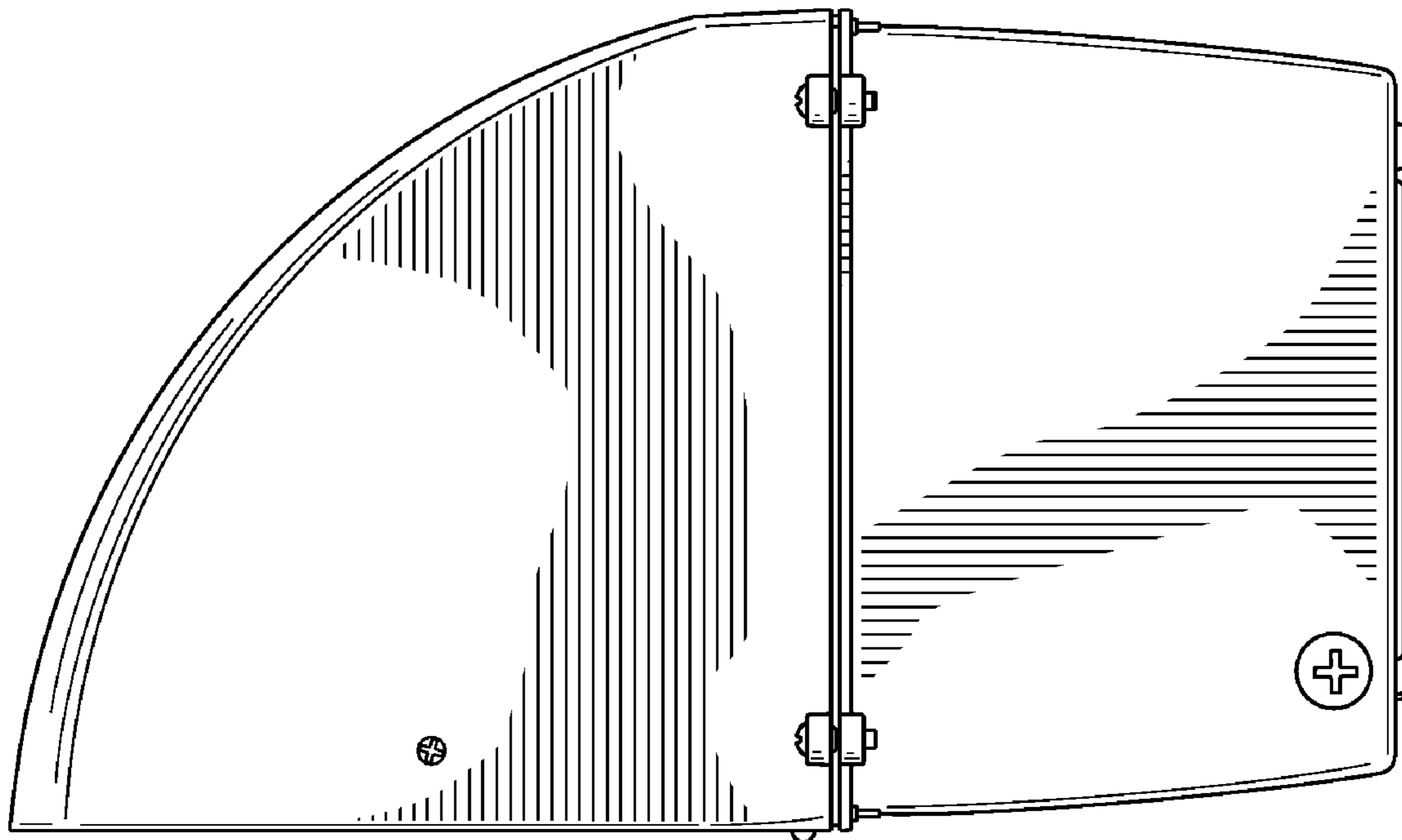


FIG. 3

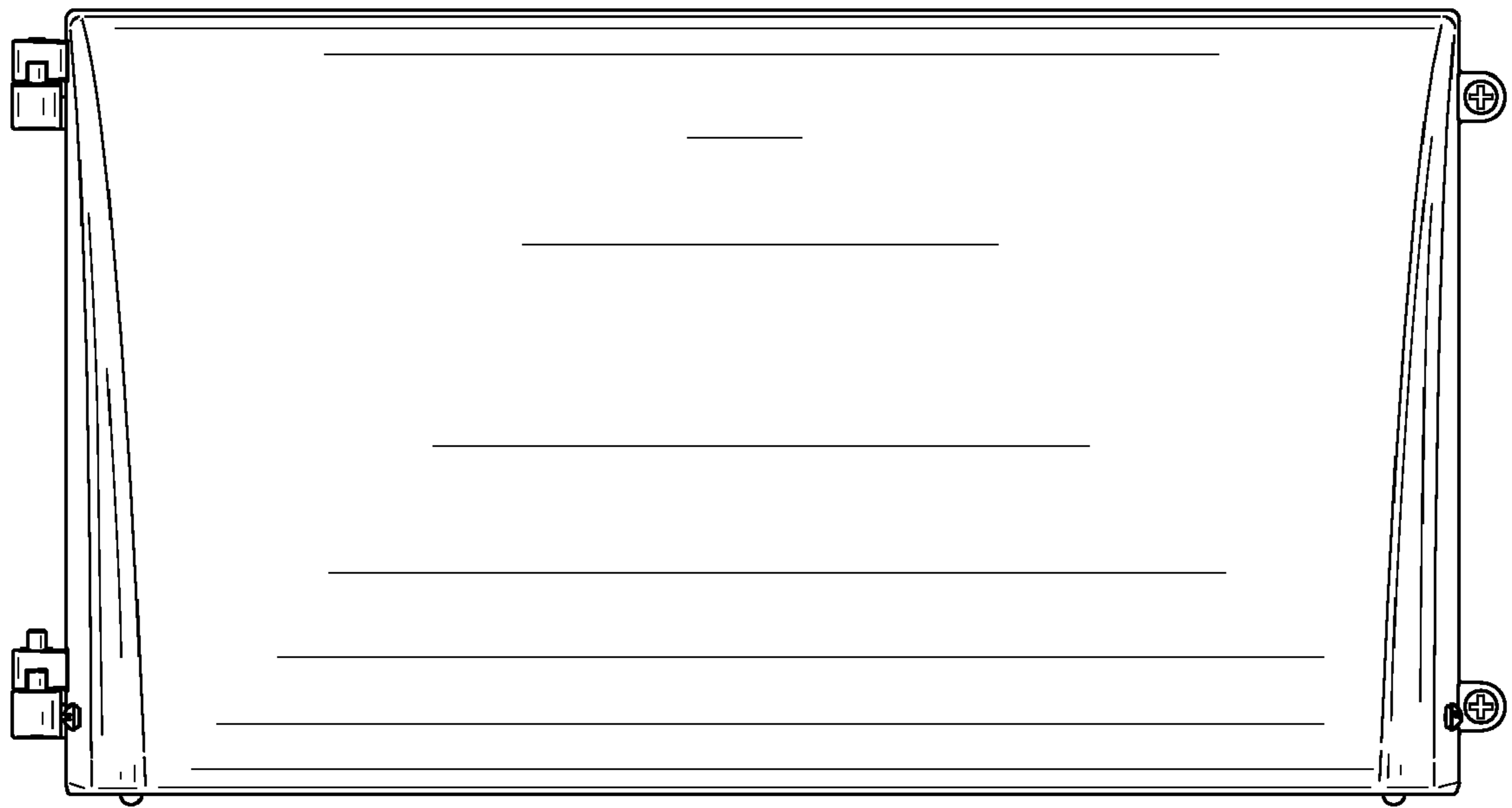


FIG. 4

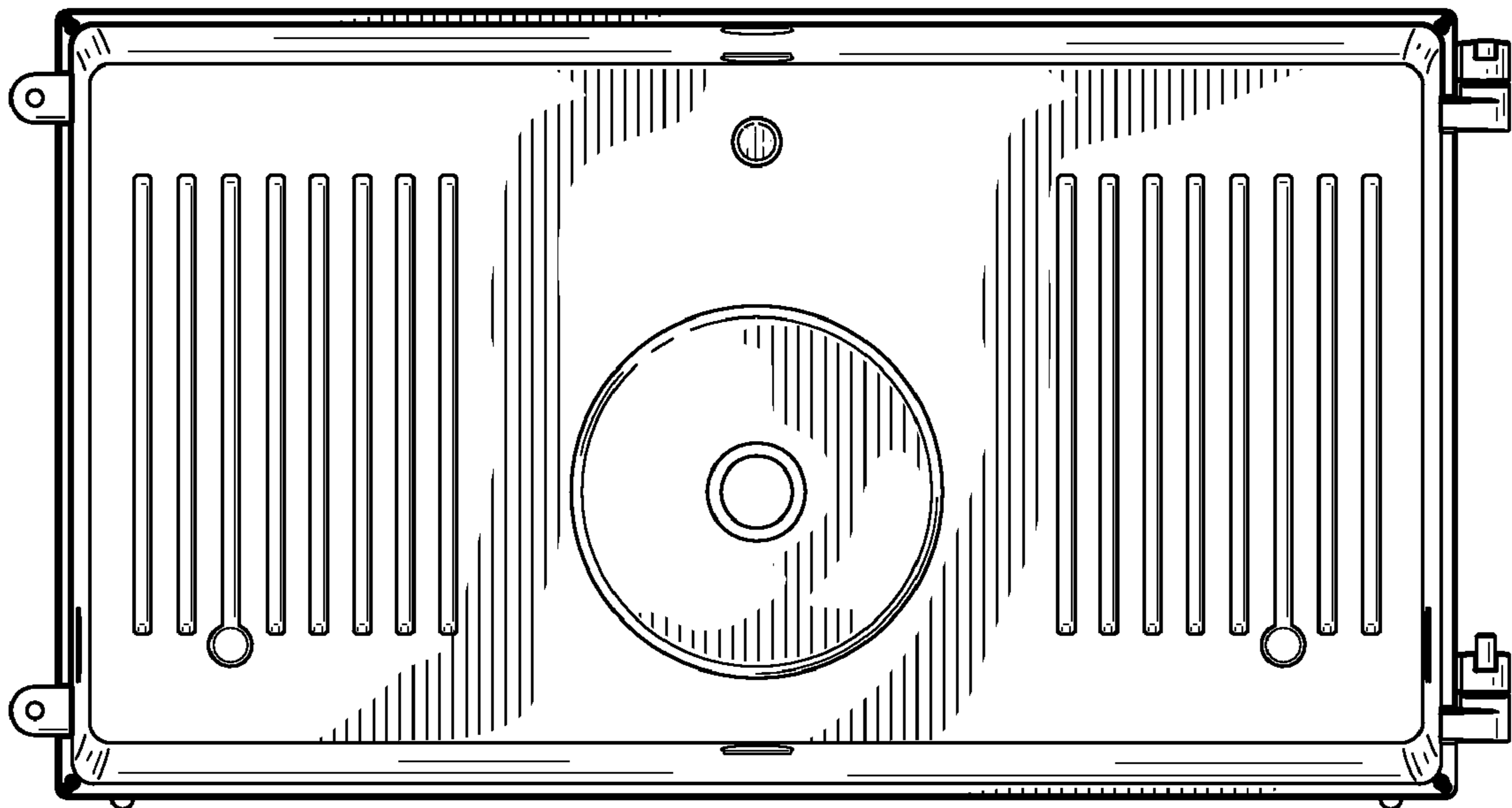


FIG. 5

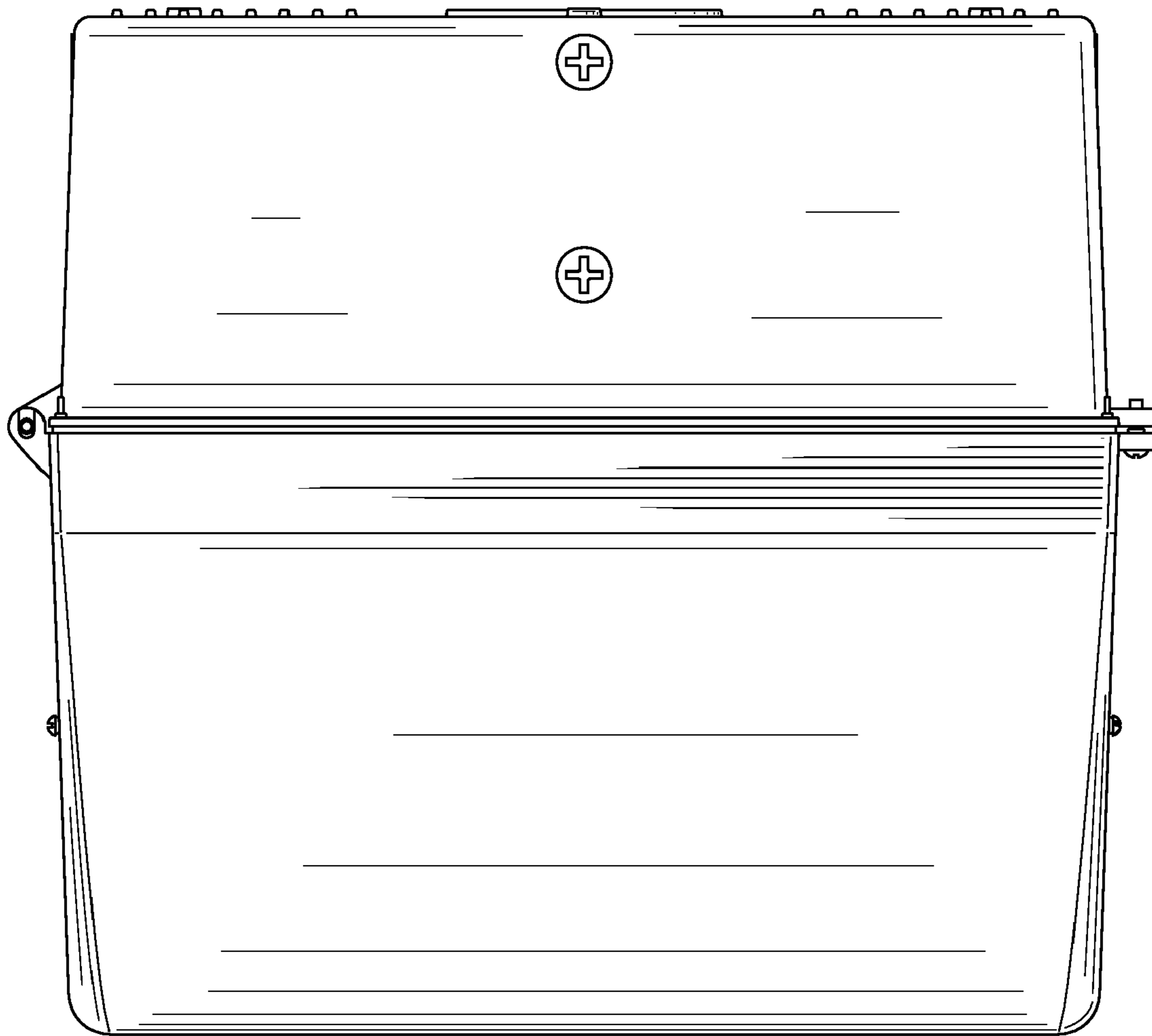


FIG. 6

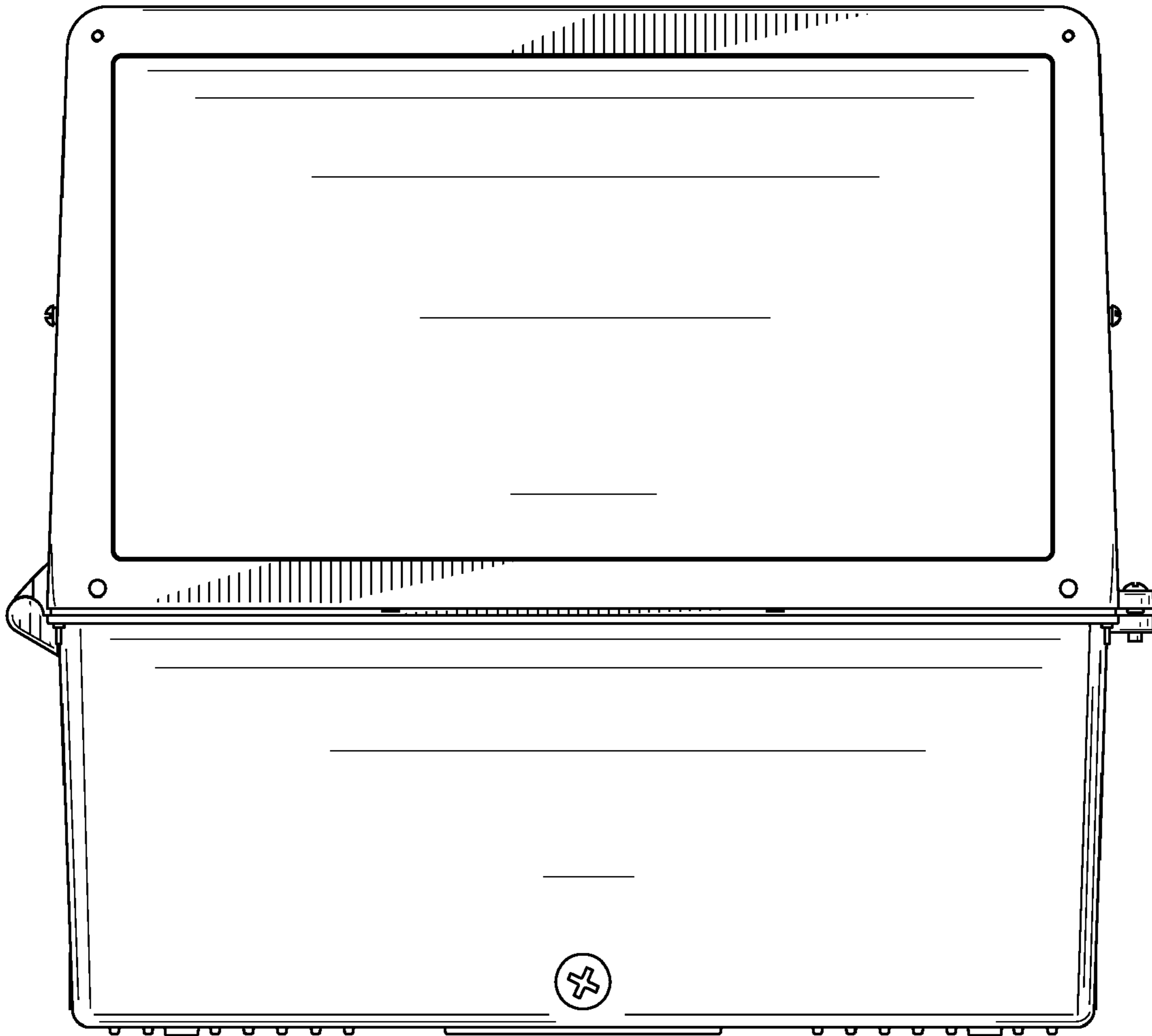


FIG. 7