



US00D583976S

(12) **United States Design Patent**
Horn et al.

(10) **Patent No.:** **US D583,976 S**
(45) **Date of Patent:** **** Dec. 30, 2008**

(54) **LUMINAIRE**

(75) Inventors: **Karl Horn**, Attleboro, MA (US); **James N. Neeld**, Tiverton, RI (US); **Paul J. Shapiro**, Riverside, RI (US); **Richard Meyer**, Providence, RI (US)

2,242,590 A 5/1941 Moreau
D130,059 S 10/1941 Herr
2,316,305 A * 4/1943 Wright 362/360
D163,762 S 6/1951 McCann

(73) Assignee: **Genlyte Thomas Group LLC**,
Louisville, KY (US)

(Continued)

(**) Term: **14 Years**

(21) Appl. No.: **29/297,977**

(22) Filed: **Nov. 26, 2007**

OTHER PUBLICATIONS

All Lighting Fixtures on p. 14 of the UltraLights Lighting Catalog © 2005.*

All lighting fixtures on p. 111 of the World Imports Catalog 26, © 2004.*

Primary Examiner—Clare E Heflin

(74) *Attorney, Agent, or Firm*—John F. Salazar; Middleton Reutlinger

Related U.S. Application Data

(63) Continuation of application No. 29/277,514, filed on Feb. 28, 2007, now Pat. No. Des. 558,381.

(51) **LOC (8) Cl.** **26-03**

(52) **U.S. Cl.** **D26/72**

(58) **Field of Classification Search** D26/72,
D26/75–79, 85, 87–91, 118, 128, 137; 362/147,
362/132, 404–406, 432, 351, 360

See application file for complete search history.

(57) **CLAIM**

The ornamental design for a luminaire, as shown and described.

DESCRIPTION

(56) **References Cited**

U.S. PATENT DOCUMENTS

1,370,255 A	3/1921	Zimmermann, Jr.	
1,413,315 A	4/1922	Correll	
1,429,762 A	9/1922	Oliver	
1,568,942 A	1/1926	Haley	
1,590,130 A	6/1926	Sturgeon, Jr.	
1,770,726 A	7/1930	Bauersfeld	
RE17,825 E *	10/1930	Linton et al.	
1,821,955 A	9/1931	Wuelker	
2,089,610 A	8/1937	Kloos	
D109,854 S *	5/1938	Stewart D26/76
D113,125 S	1/1939	Stewart	
2,143,673 A	1/1939	Baumgartner	
2,202,266 A	5/1940	Phillips	

FIG. 1 is an upper perspective view of the luminaire of the present invention;

FIG. 2 is a front view of the design of the present invention;

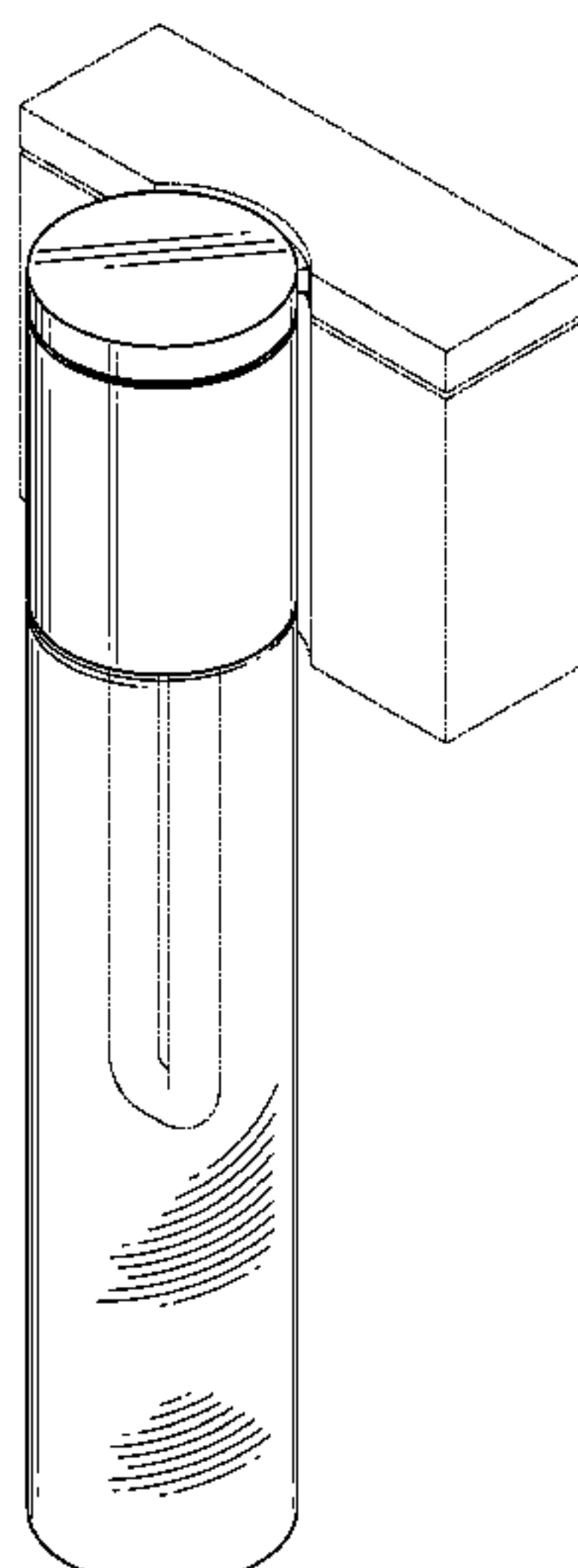
FIG. 3 is a right side view of the design of the present invention; the left side view of the design of the present invention is a mirror image of the right side view, and is not included;

FIG. 4 is a top view of the design of the present invention; and,

FIG. 5 is a bottom view of the design of the present invention;

The broken lines showing environmental structure are for illustrative purposes only and form no part of the claimed design.

1 Claim, 5 Drawing Sheets



US D583,976 S

Page 2

U.S. PATENT DOCUMENTS

2,595,520	A	5/1952	Guerin	D438,326	S	2/2001	Kan
3,679,893	A *	7/1972	Shemitz et al.	D440,343	S	4/2001	Littman
3,701,898	A *	10/1972	McNamara, Jr.	D443,940	S	6/2001	Donato
3,902,059	A *	8/1975	McNamara, Jr.	D443,945	S	6/2001	Littman
4,128,333	A *	12/1978	Levin et al.	D444,251	S	6/2001	Donato
4,153,929	A *	5/1979	Laudenschlager et al.	D445,936	S	7/2001	Mier-Langner et al.
D253,854	S *	1/1980	Strignano D26/89	D445,943	S	7/2001	Littman
D280,346	S	8/1985	Aspenwall	D446,874	S	8/2001	Demshki
D286,206	S	10/1986	Joosten et al.	D447,260	S	8/2001	Demshki
D295,329	S	4/1988	Roos et al.	D449,397	S	10/2001	Demshki
D349,173	S	7/1994	Fellinger	D450,405	S	11/2001	Demshki
D356,382	S	3/1995	Jaksich	D455,518	S	4/2002	Littman
D359,574	S	6/1995	Bornhorst et al.	D457,679	S	5/2002	Littman
D360,959	S	8/1995	Donato et al.	D457,977	S	5/2002	Mier-Langner et al.
D370,069	S	5/1996	Mier-Langner et al.	6,382,817	B1	5/2002	Chelf
D370,075	S	5/1996	Mier-Langner et al.	D459,014	S	6/2002	Chen
D371,861	S	7/1996	Stamm	D459,514	S	6/2002	Mier-Langner et al.
D380,847	S	7/1997	Mier-Langner et al.	D460,835	S	7/2002	Chen
D385,372	S	10/1997	Mier-Langner et al.	D461,019	S	7/2002	Donato
D389,260	S	1/1998	Mier-Langner et al.	D463,879	S	10/2002	Mier-Langner et al.
D394,723	S	5/1998	Mier-Langner et al.	D472,337	S	3/2003	Bernhart et al.
5,765,939	A *	6/1998	Tanner, Jr.	D474,304	S	5/2003	Mier-Langner et al.
D402,964	S	12/1998	Kuchar et al.	D475,157	S	5/2003	Mier-Langner et al.
D413,176	S	8/1999	Mier-Langner	D476,441	S	6/2003	Mier-Langner et al.
D417,300	S	11/1999	Stacy et al.	6,857,765	B2 *	2/2005	Kameda et al. 362/355
5,988,829	A	11/1999	Holder	D505,221	S	5/2005	Hetfield
D430,326	S	8/2000	Littman	D509,616	S	9/2005	Hetfield
D433,178	S	10/2000	Donato	D511,222	S	11/2005	Hetfield
6,135,613	A	10/2000	Bodell et al.	D513,439	S	1/2007	Hetfield
D433,763	S	11/2000	Donato	D558,381	S *	12/2007	Horn et al. D26/85
D436,211	S	1/2001	Neeld et al.	D563,022	S *	2/2008	Hetfield et al. D26/72
D436,678	S	1/2001	Mier-Langner et al.	D563,590	S *	3/2008	Hetfield et al. D26/88
D437,437	S	2/2001	Donato	D565,230	S *	3/2008	Hetfield et al. D26/72
D437,953	S	2/2001	Donato	2003/0174500	A1 *	9/2003	Kameda et al. 362/240

* cited by examiner

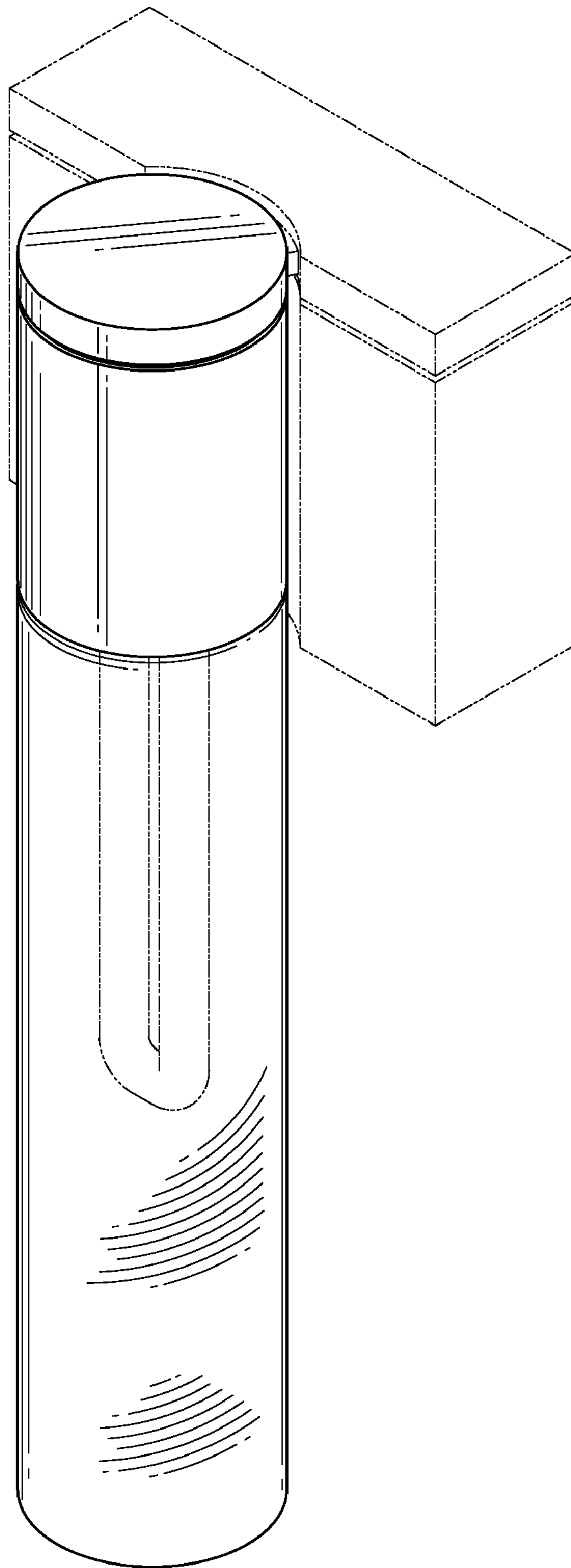


FIG. 1

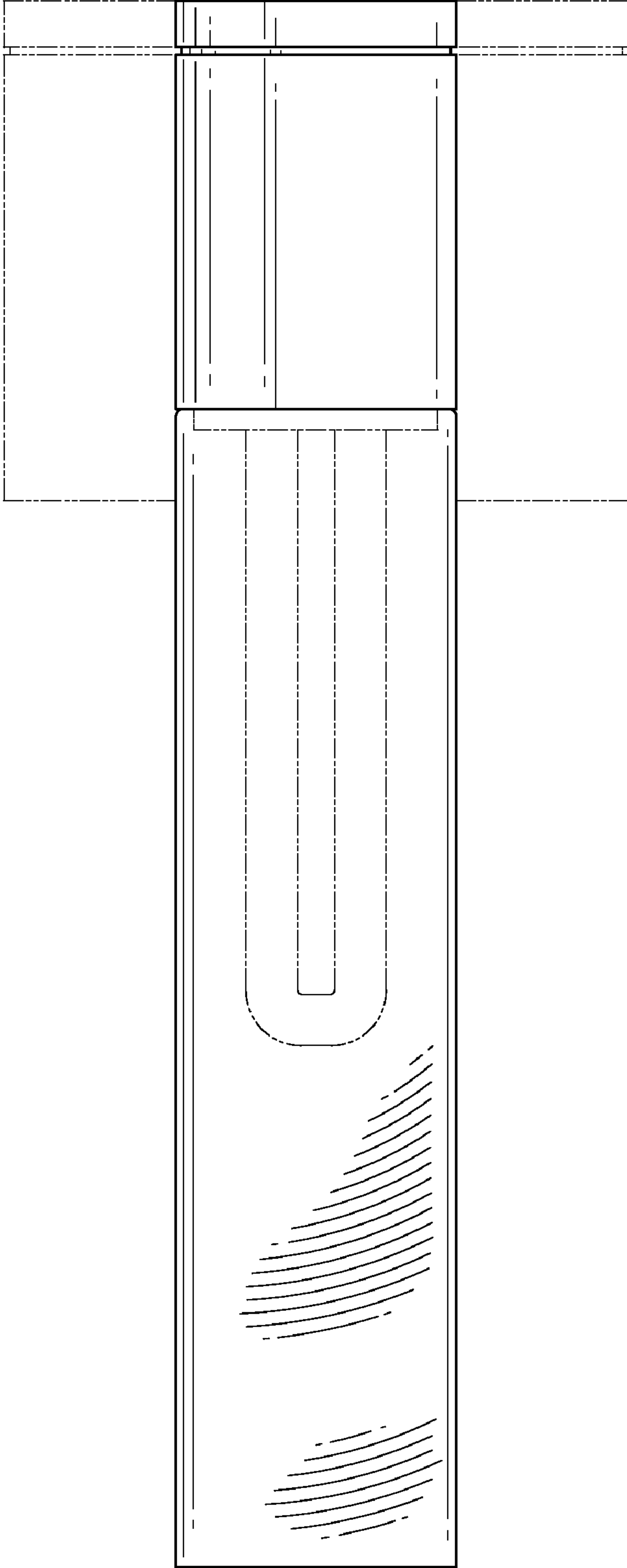


FIG. 2

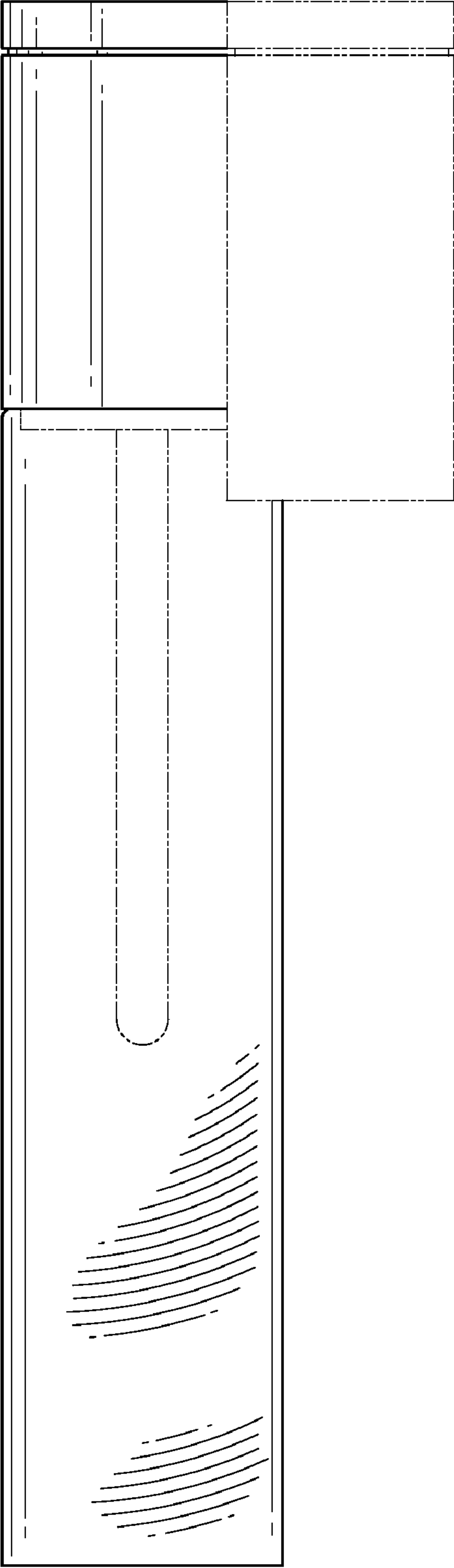


FIG. 3

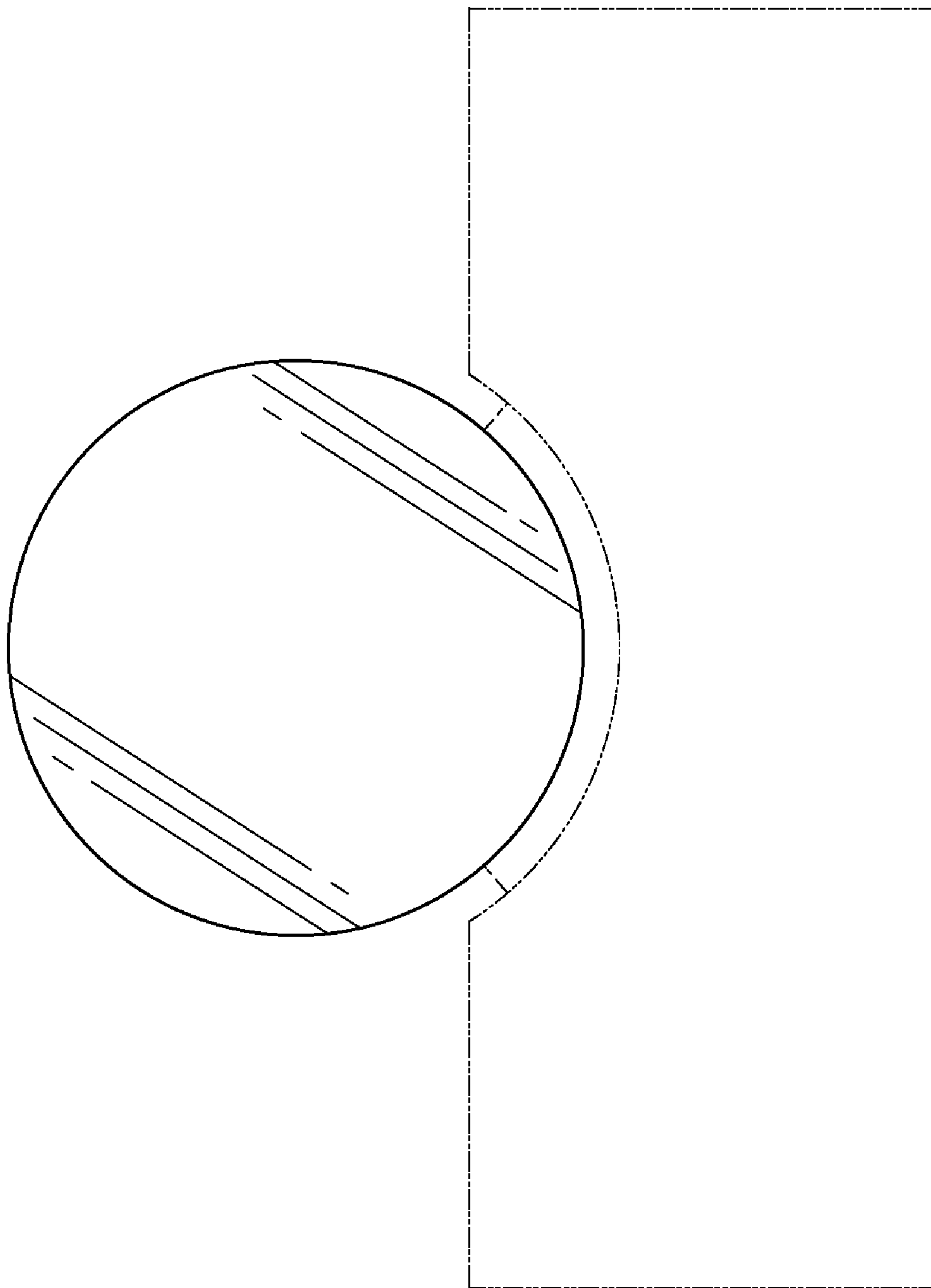


FIG. 4

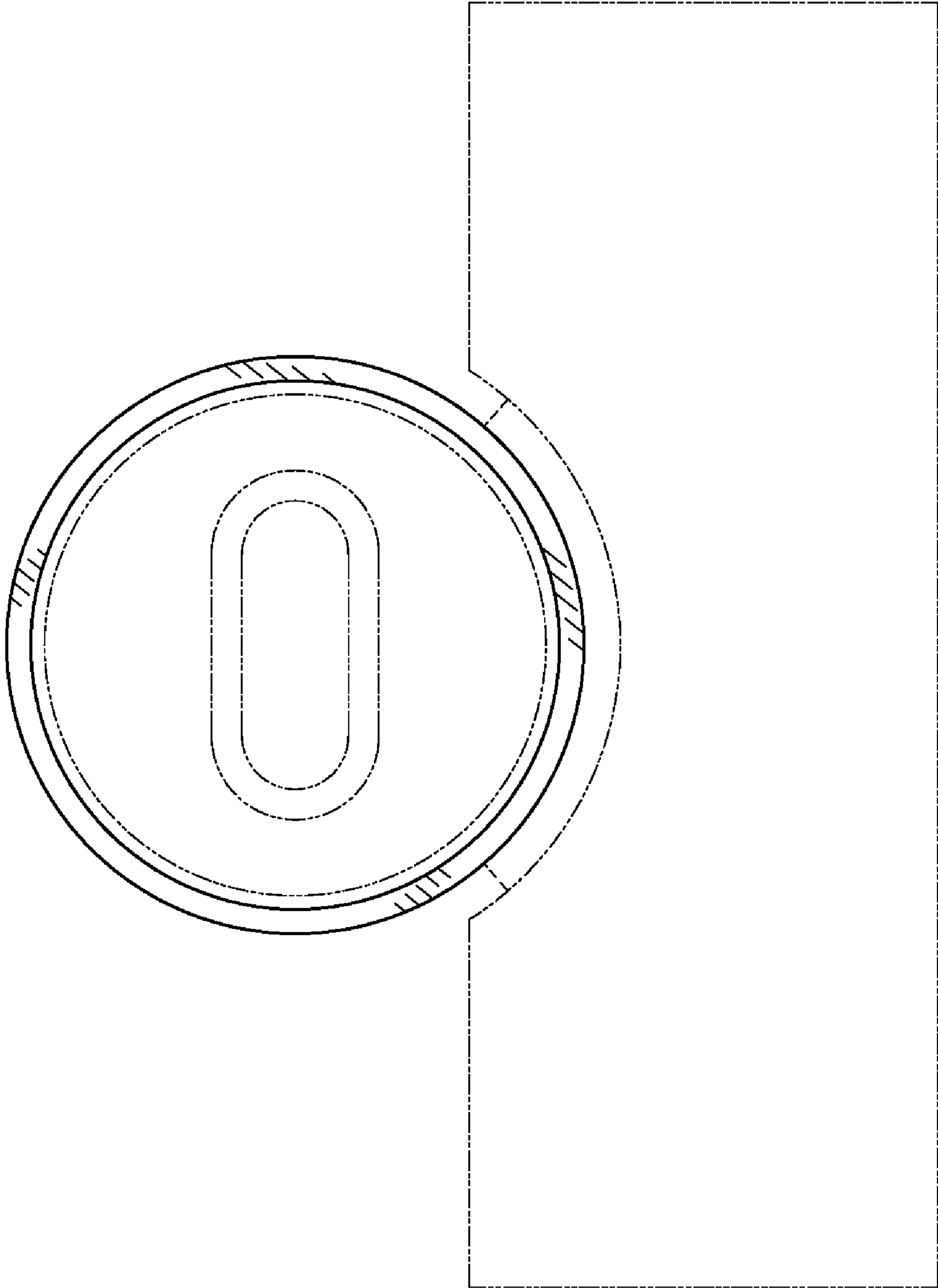


FIG. 5