



US00D583975S

(12) **United States Design Patent**  
**Kushinskaya et al.**

(10) **Patent No.:** **US D583,975 S**

(45) **Date of Patent:** **\*\* Dec. 30, 2008**

(54) **LIGHTING FIXTURE**

(75) Inventors: **Elena Kushinskaya**, Encino, CA (US);  
**Henry Avila**, Los Angeles, CA (US)

(73) Assignee: **U.S. Pole Company, Inc.**, Palmdale, CA (US)

(\*\*) Term: **14 Years**

(21) Appl. No.: **29/280,765**

(22) Filed: **Jun. 6, 2007**

(51) **LOC (8) Cl.** ..... **26-05**

(52) **U.S. Cl.** ..... **D26/63**

(58) **Field of Classification Search** ..... D26/60-66,  
D26/93, 107, 118, 128; 362/269, 277, 278,  
362/282, 285, 287, 288, 401-402, 410, 413-414,  
362/418-430, 494

See application file for complete search history.

(56) **References Cited**

**U.S. PATENT DOCUMENTS**

D223,547	S	*	5/1972	Ohwa	.....	D26/107
D295,287	S	*	4/1988	Krogsrud et al.	.....	D16/135
D316,452	S	*	4/1991	Kira	.....	D26/68
D345,518	S	*	3/1994	Merlo	.....	D10/106
D350,212	S	*	8/1994	Yuen	.....	D26/65
D350,620	S	*	9/1994	Yuen	.....	D26/65
D373,437	S	*	9/1996	Kira	.....	D26/63
5,584,574	A	*	12/1996	Haddad	.....	362/359
5,599,091	A	*	2/1997	Kira	.....	362/269

5,713,662	A	*	2/1998	Kira	.....	362/427
D405,903	S	*	2/1999	Lin	.....	D26/64
6,497,501	B1	*	12/2002	Harder	.....	362/359
D495,079	S	*	8/2004	Mullen	.....	D26/63
D519,662	S	*	4/2006	Mullen	.....	D26/61
D544,137	S	*	6/2007	Montefusco	.....	D26/118
2006/0193138	A1	*	8/2006	Montefusco	.....	362/359

**FOREIGN PATENT DOCUMENTS**

WO	DM/055879	*	3/2001
WO	DM/055880	*	3/2001

\* cited by examiner

*Primary Examiner*—Cathron C Brooks

*Assistant Examiner*—Barbara Fox

(74) *Attorney, Agent, or Firm*—Christie, Parker & Hale, LLP

(57) **CLAIM**

The ornamental design for lighting fixture, as shown and described.

**DESCRIPTION**

FIG. 1 is a perspective view of a lighting fixture showing our new design;

FIG. 2 is a left side view thereof;

FIG. 3 is a front view thereof;

FIG. 4 is a right side view thereof;

FIG. 5 is a top view thereof; and,

FIG. 6 is a bottom view thereof.

**1 Claim, 4 Drawing Sheets**

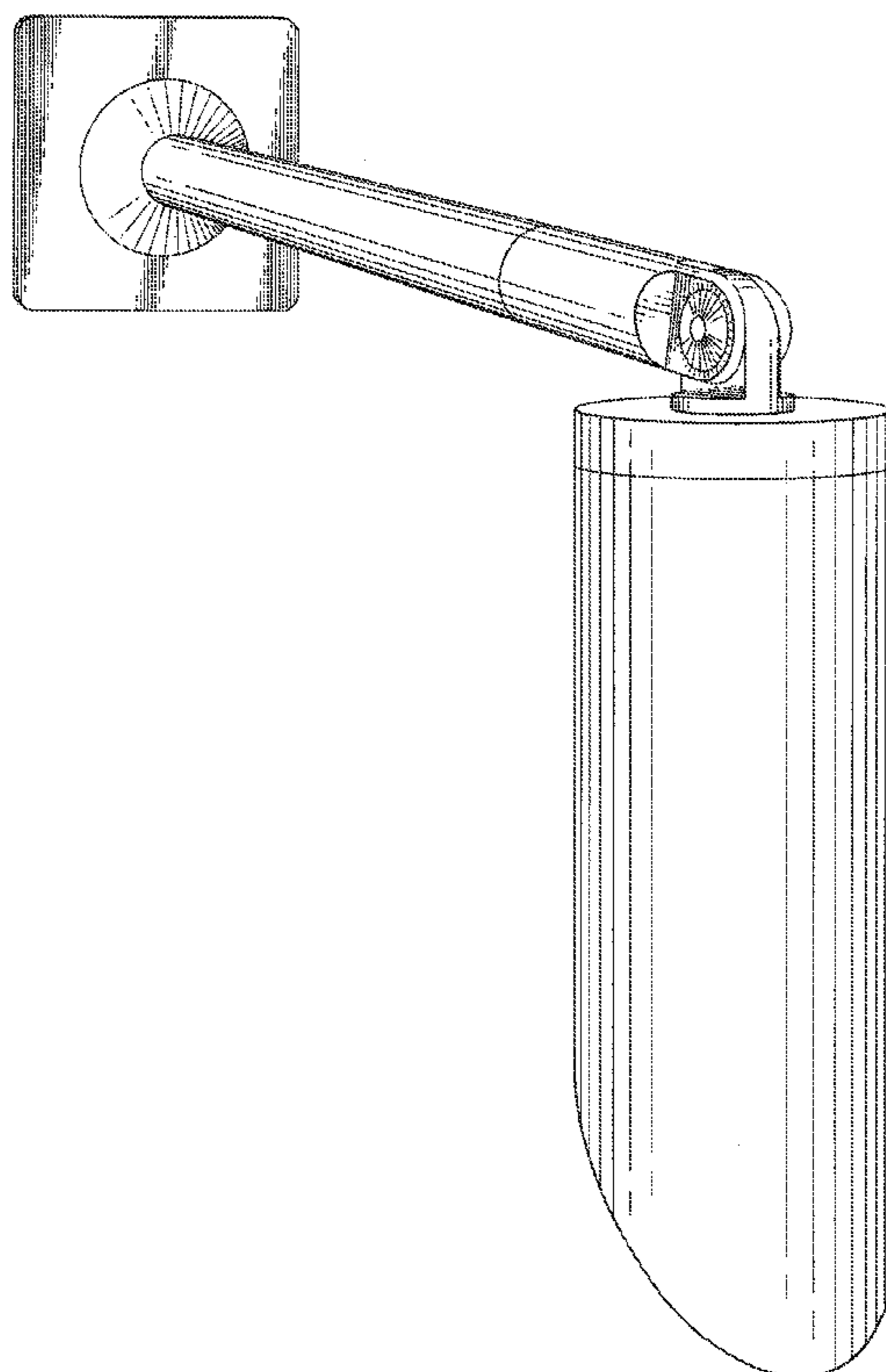
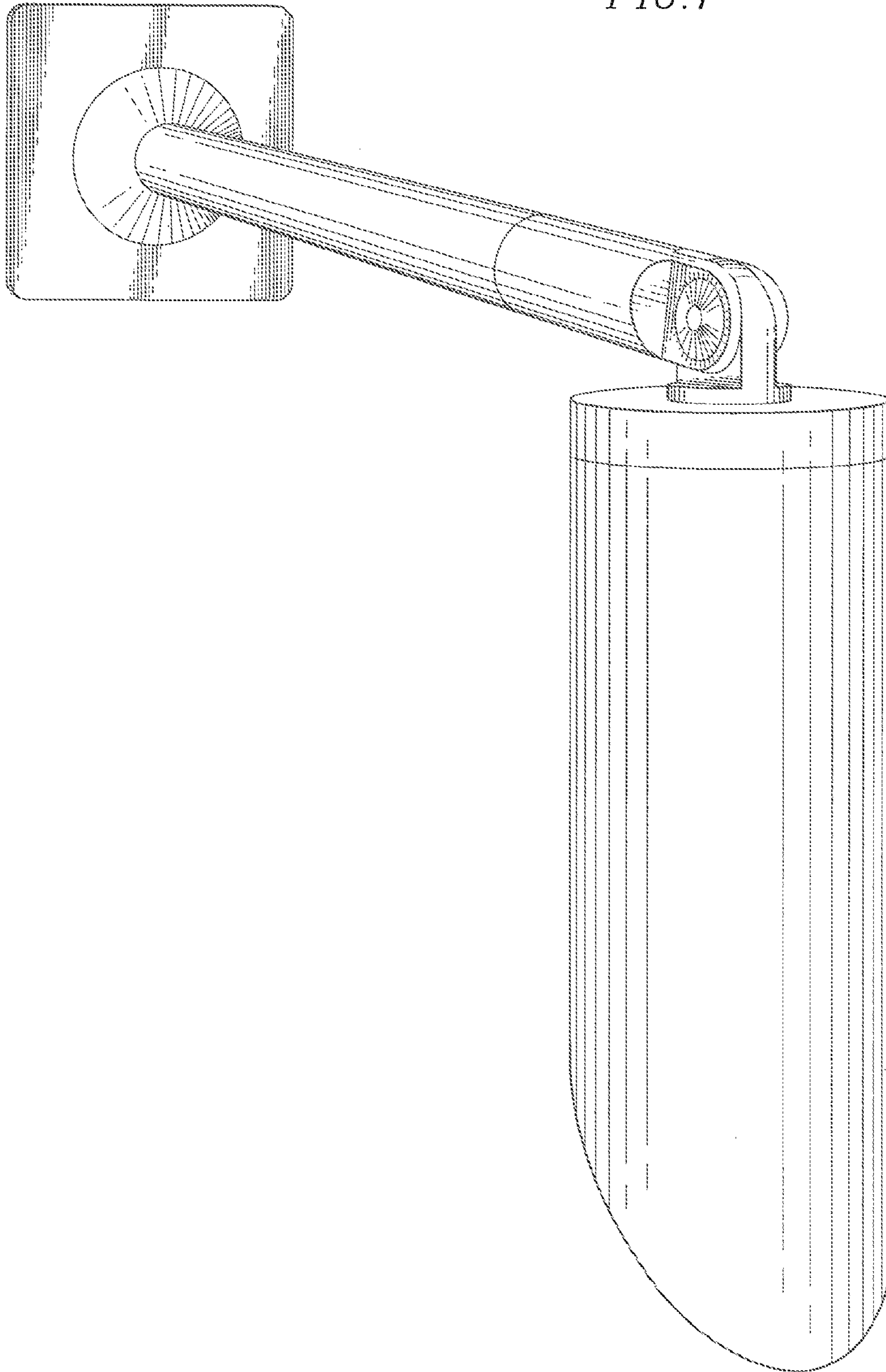


FIG. 1



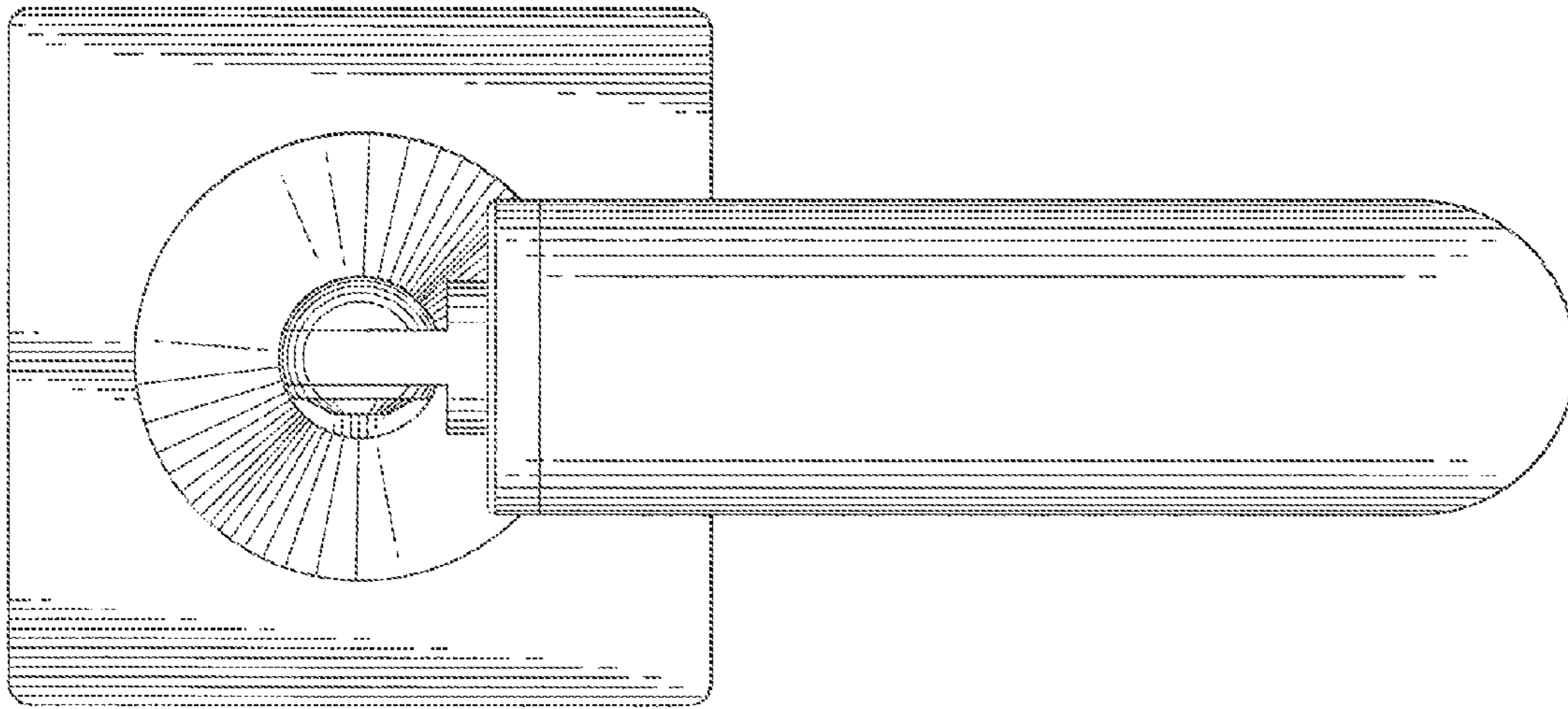


FIG. 3

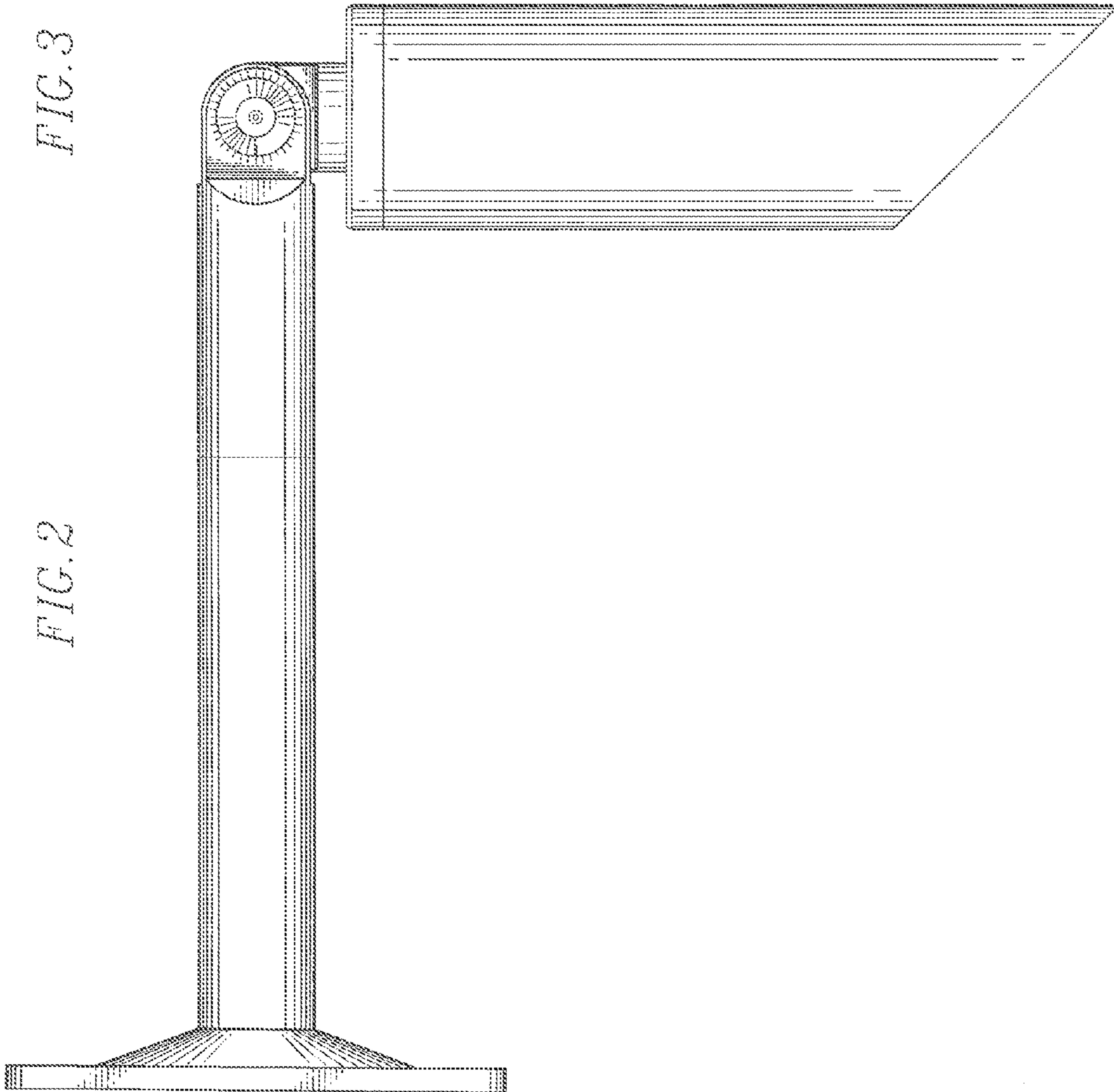


FIG. 2

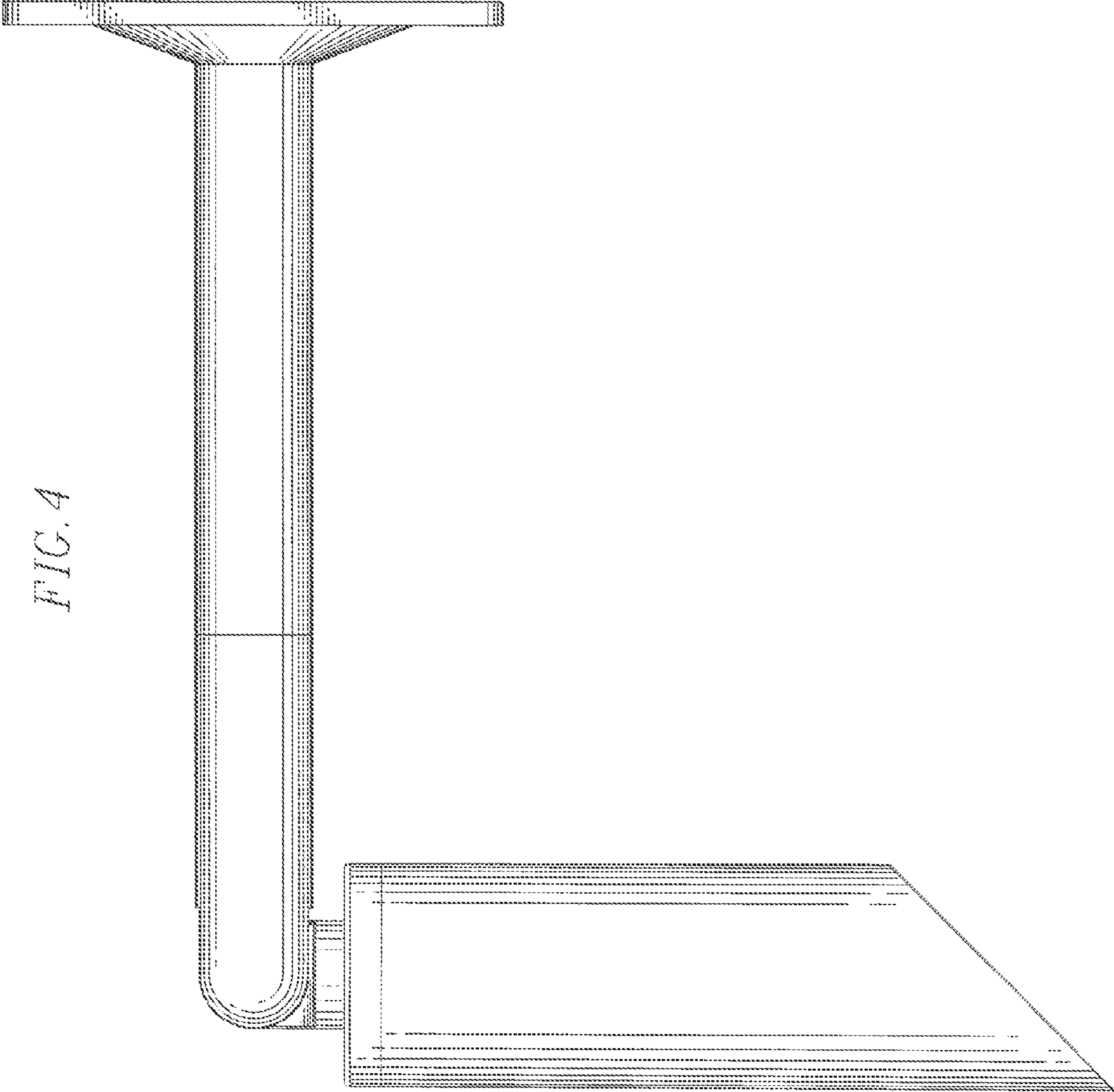


FIG. 4

FIG. 5

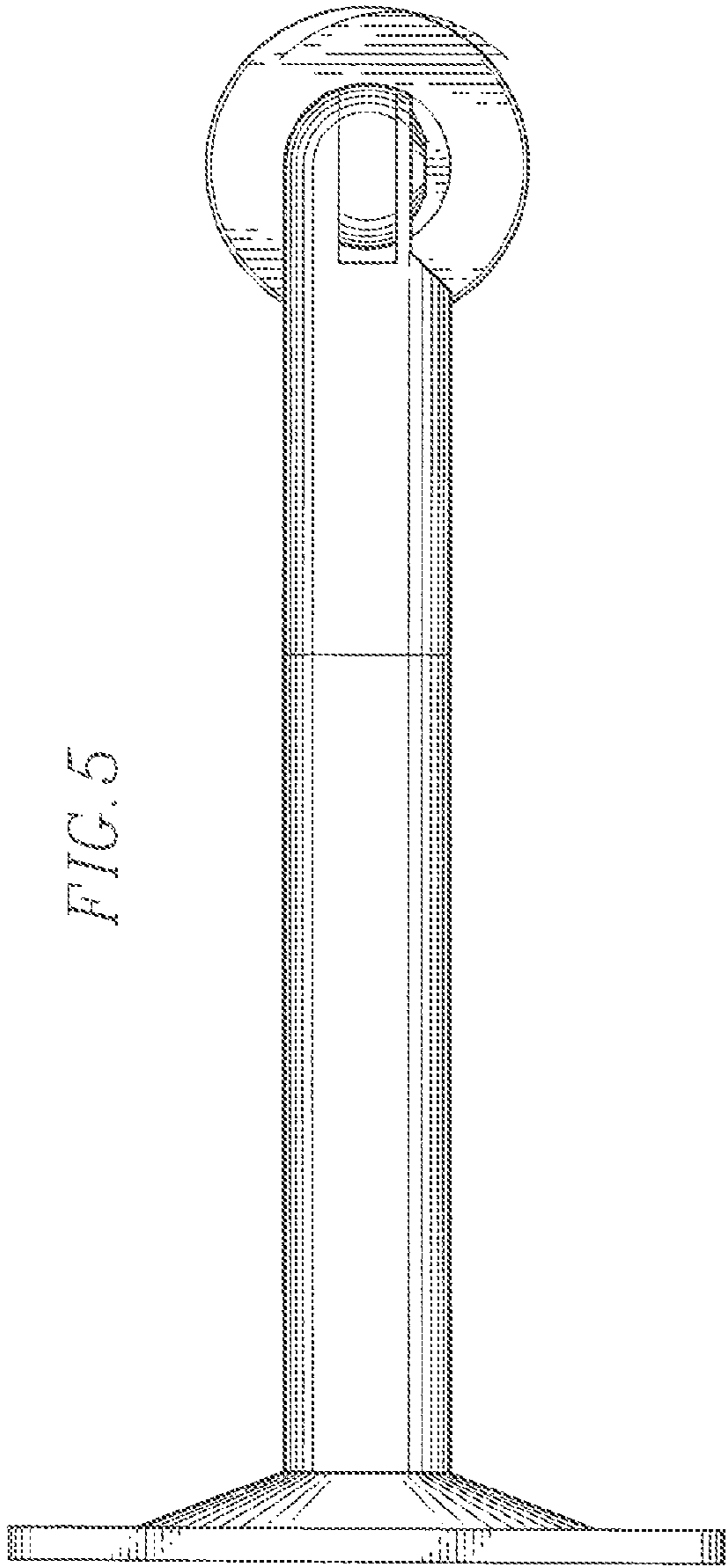


FIG. 6

