



US00D583970S

(12) **United States Design Patent**
Futschik et al.

(10) **Patent No.:** **US D583,970 S**

(45) **Date of Patent:** **** Dec. 30, 2008**

(54) **TAILLIGHT FOR A VEHICLE**

D552,769 S * 10/2007 Leclercq D26/28
D553,268 S * 10/2007 Pfeiffer D26/28
D560,292 S * 1/2008 Sato D26/28

(75) Inventors: **Hans-Dieter Futschik**, Gechingen (DE);
Stefan Handt, Stuttgart (DE); **Steffen Koehl**, Stuttgart (DE); **Frank Pfisterer**, Weil der Stadt (DE)

* cited by examiner

Primary Examiner—Marcus A. Jackson

(74) *Attorney, Agent, or Firm*—Crowell & Moring LLP

(73) Assignee: **Daimler AG**, Stuttgart (DE)

(**) Term: **14 Years**

(57) **CLAIM**

(21) Appl. No.: **29/309,236**

The ornamental design for a taillight for a vehicle, as shown and described.

(22) Filed: **Jul. 10, 2008**

DESCRIPTION

(30) **Foreign Application Priority Data**

Feb. 25, 2008 (DE) 402008000928

FIG. 1 is a perspective view of the left side of a taillight for a vehicle showing our new design;

FIG. 2 is a front view thereof;

FIG. 3 is a side view thereof; and

FIG. 4 is a top view thereof.

(51) **LOC (8) Cl.** **26-06**

(52) **U.S. Cl.** **D26/28**

(58) **Field of Classification Search** D26/28-36;
362/459-468, 475-478, 485-487

FIG. 5 is a perspective view of the right side of a taillight for a vehicle thereof;

FIG. 6 is a front view thereof;

FIG. 7 is a side view thereof; and,

FIG. 8 is a top view thereof.

See application file for complete search history.

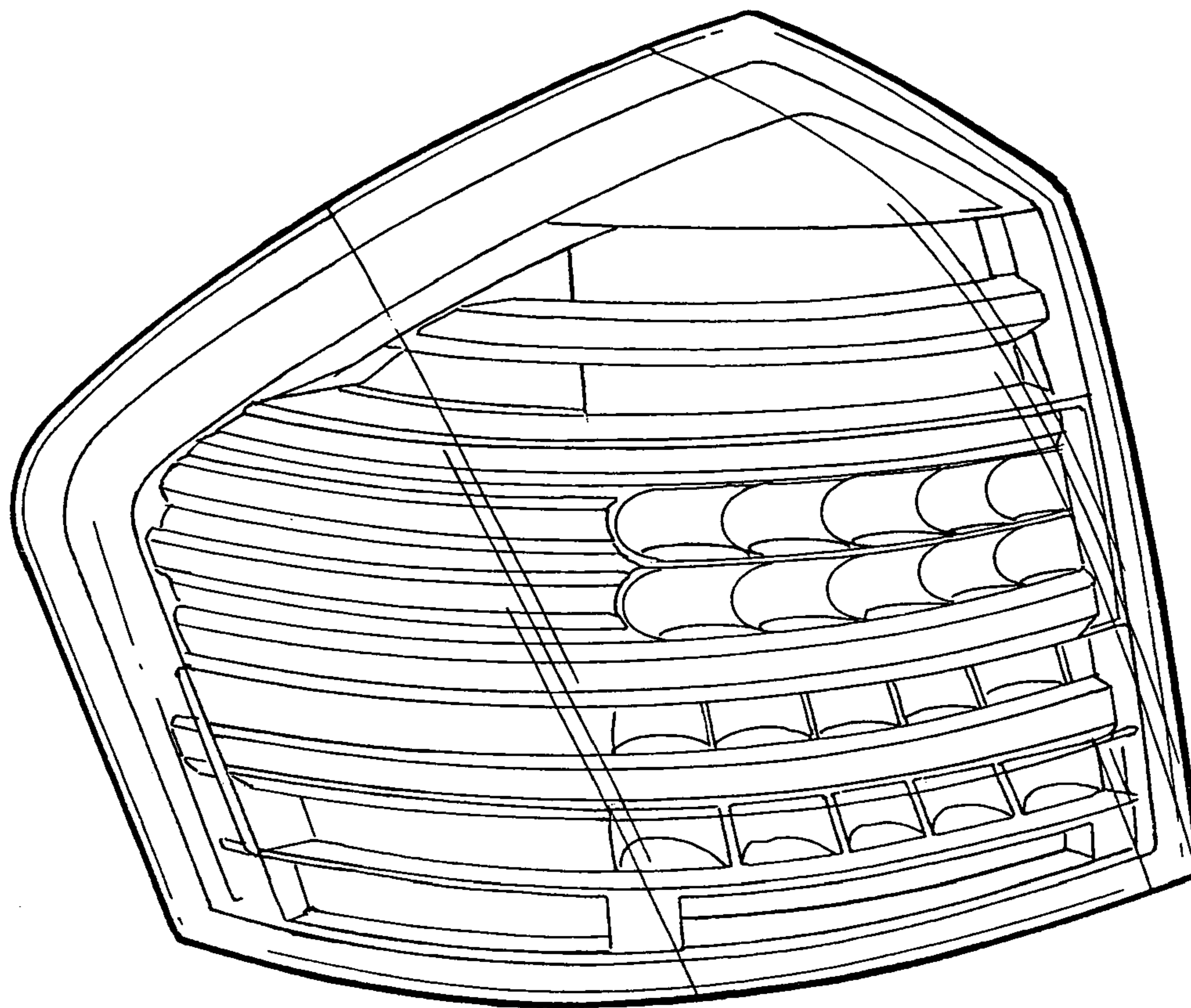
The broken lines are for illustrative purposes only and form no part of the claimed design.

(56) **References Cited**

U.S. PATENT DOCUMENTS

D538,452 S 3/2007 Pfeiffer
D544,404 S 8/2007 Pfeiffer
D549,363 S * 8/2007 Pfeiffer D26/28
D549,858 S * 8/2007 Pfeiffer D26/28

1 Claim, 4 Drawing Sheets



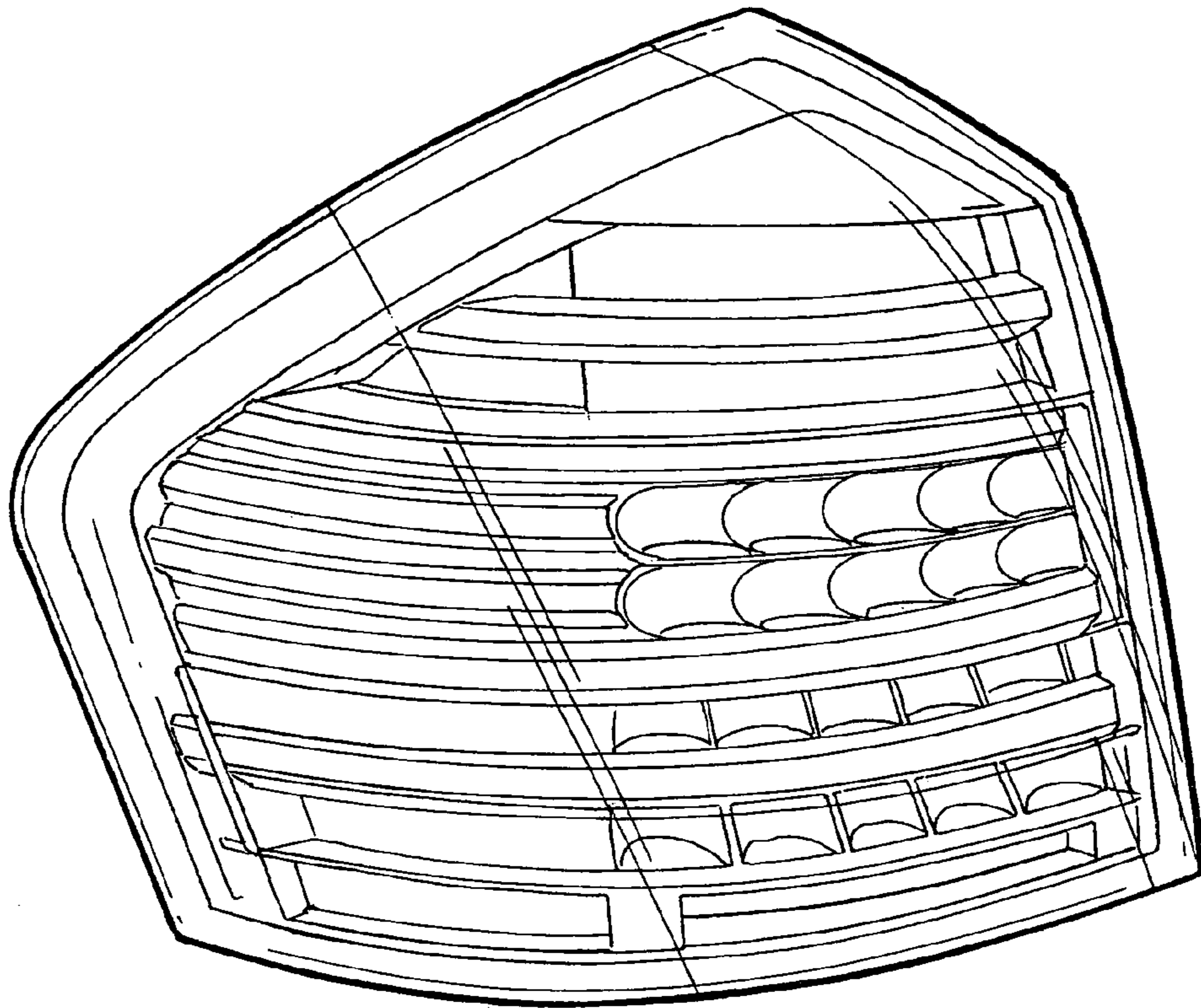


FIG. 1

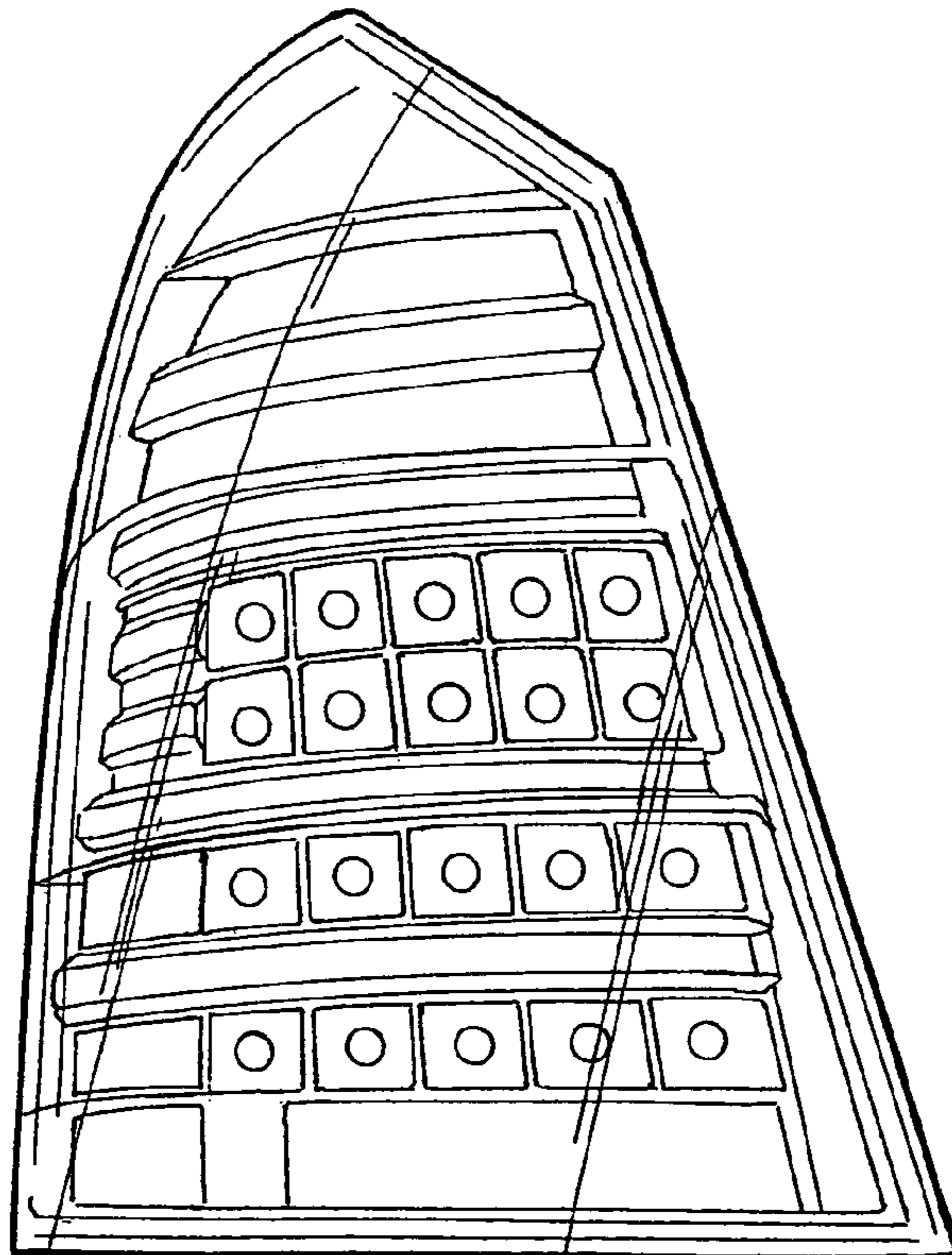


FIG. 2

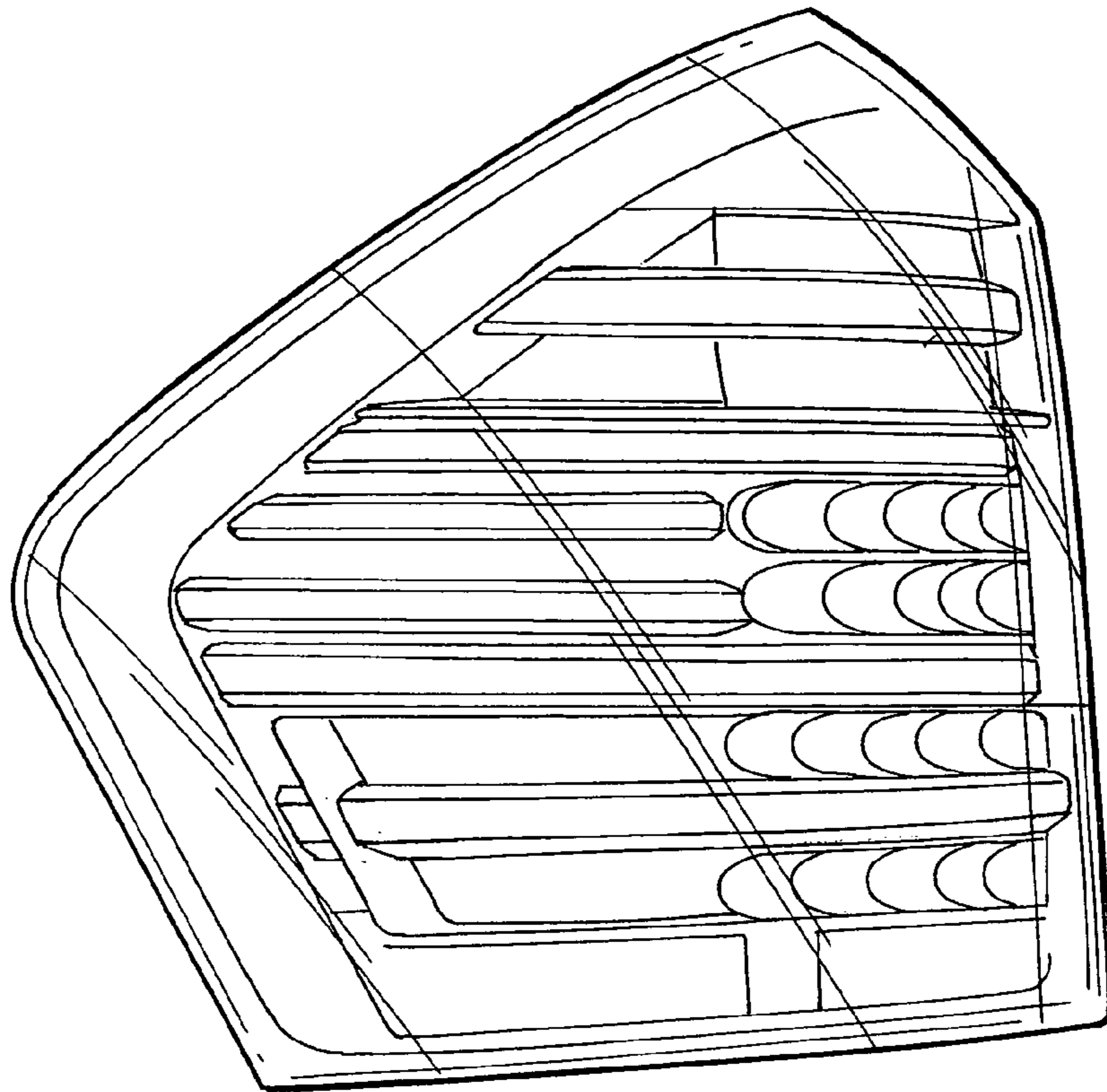


FIG. 3

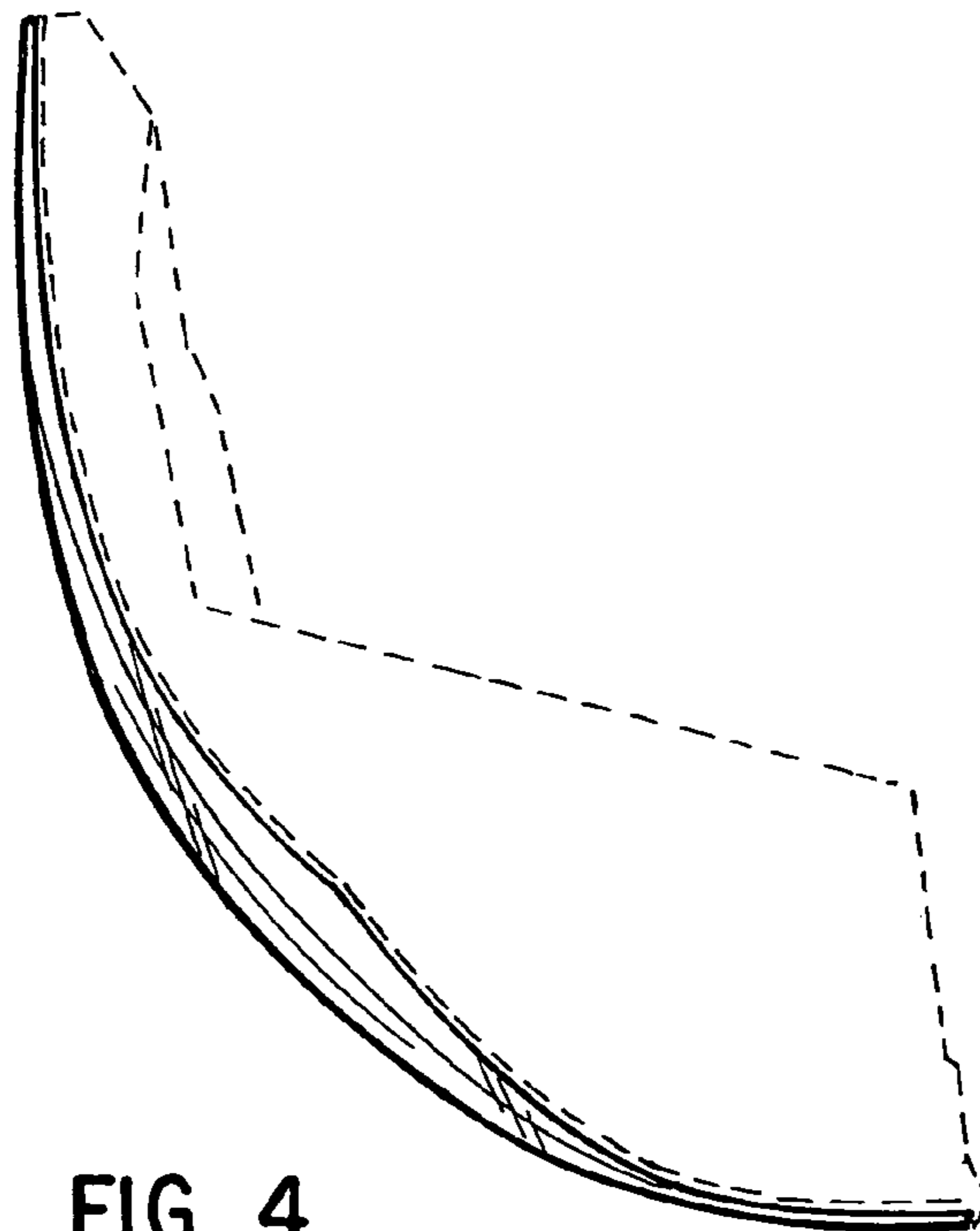


FIG. 4

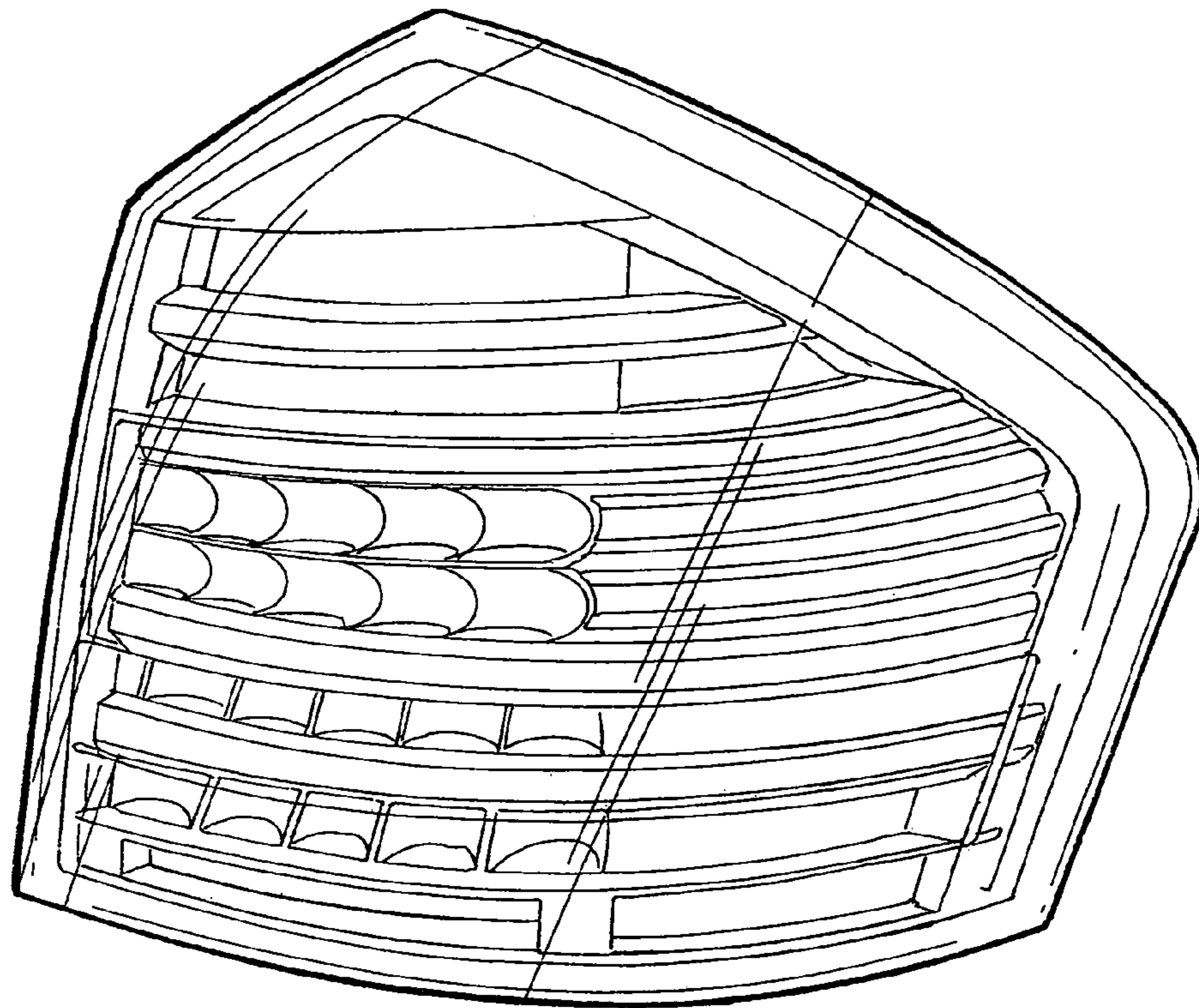


FIG. 5

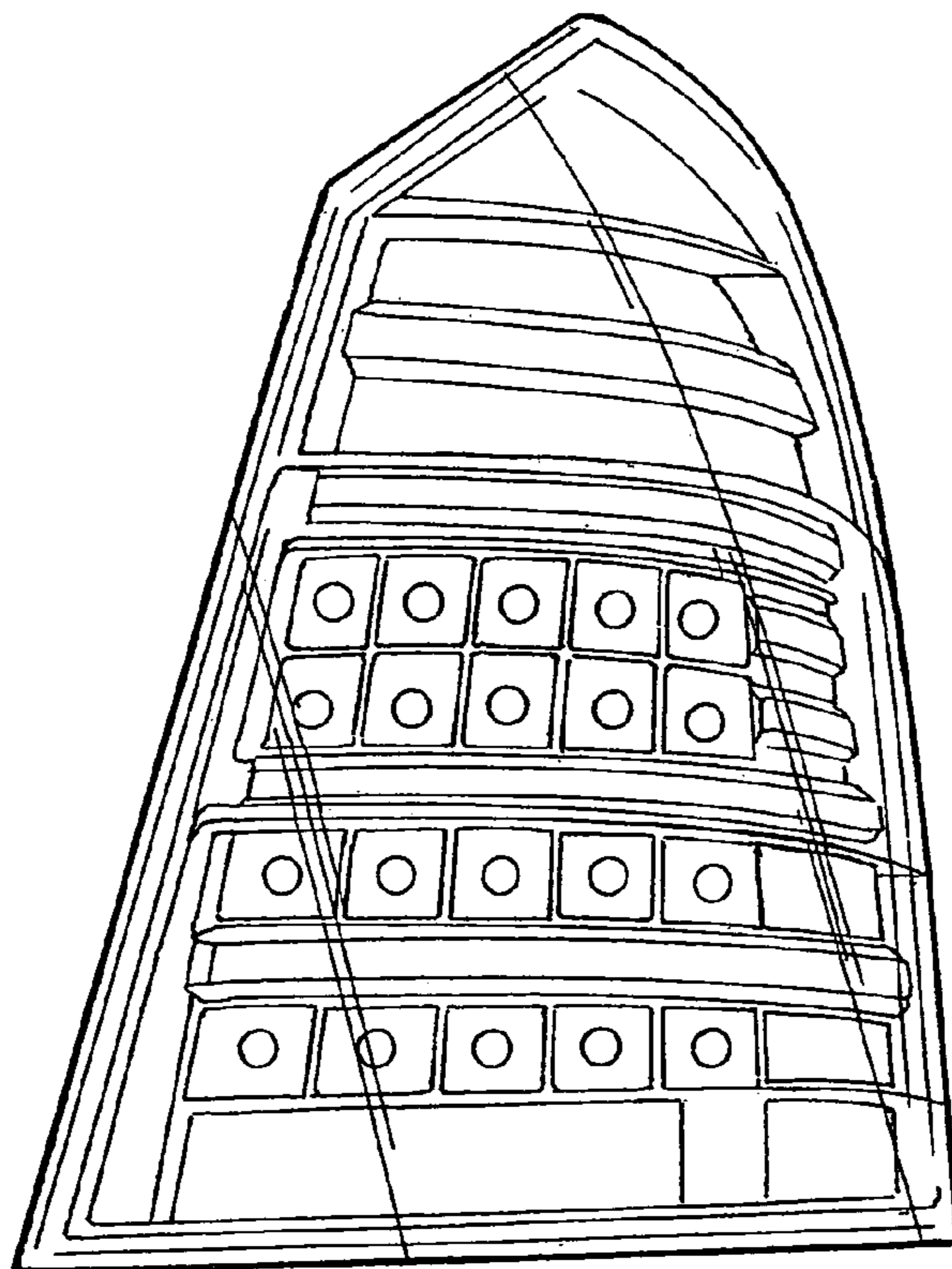


FIG. 6

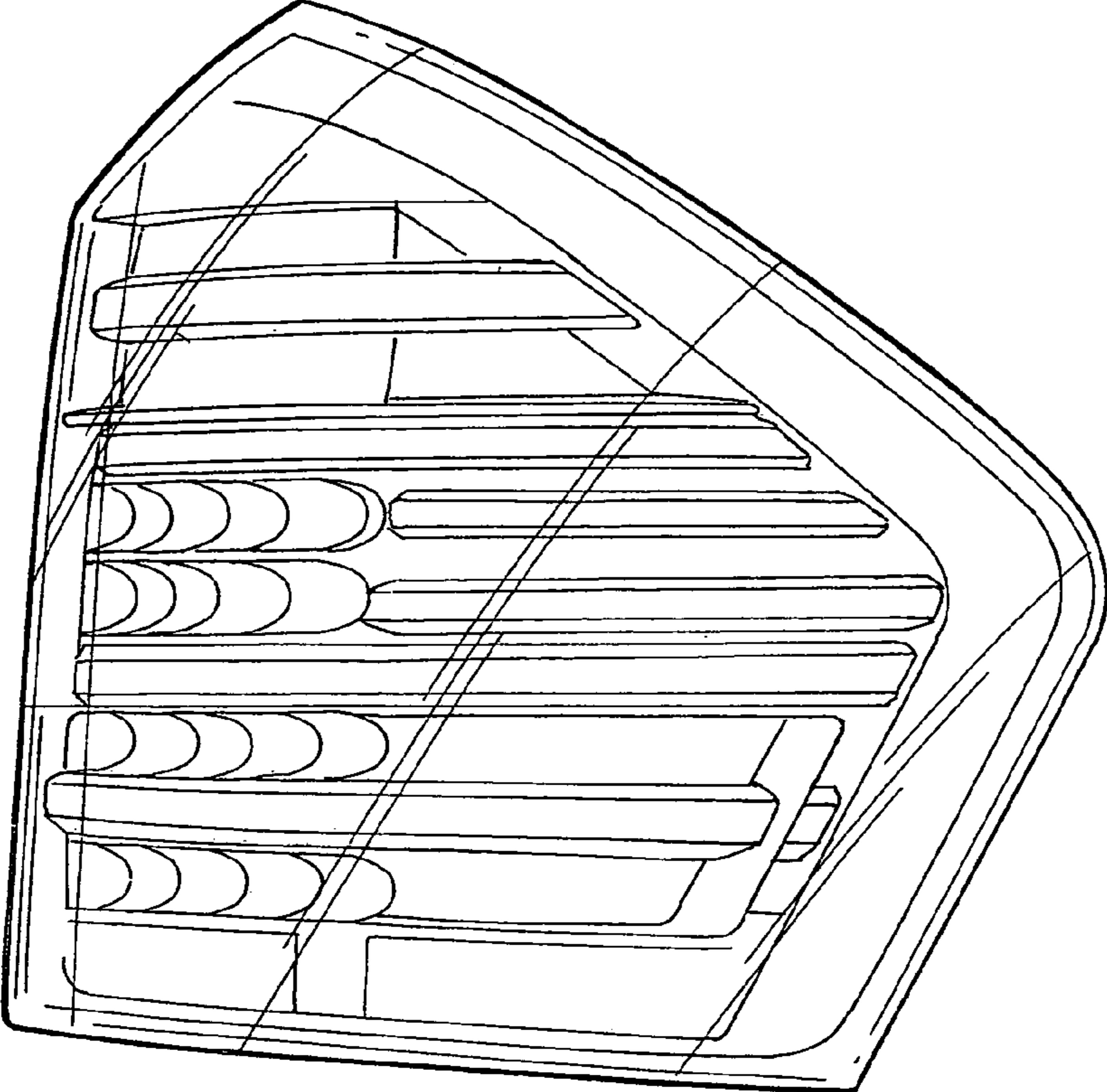


FIG. 7

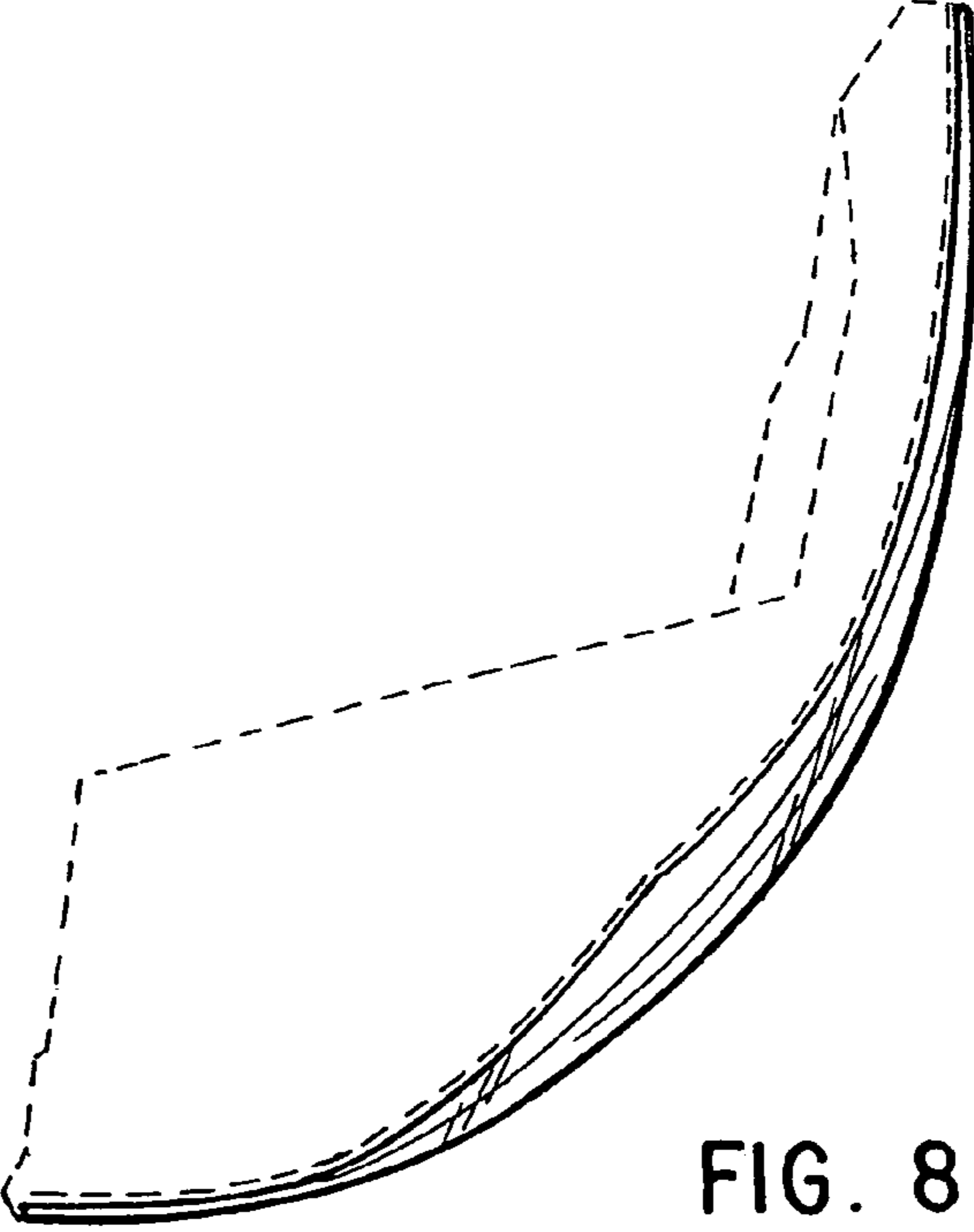


FIG. 8