



US00D583968S

(12) **United States Design Patent**
Simons et al.

(10) **Patent No.:** **US D583,968 S**
(45) **Date of Patent:** **** Dec. 30, 2008**

(54) **SURFACE CONFIGURATION FOR TRUCK HEADLAMP**

(75) Inventors: **Wayne K Simons**, Kent, WA (US); **F Erik Tuft**, Kenmore, WA (US); **Steven H Hovind**, Bellevue, WA (US); **Gerald Jay Angelo**, Bellevue, WA (US); **Wallace A Peltola**, Sammamish, WA (US); **Daniel R Kieffer**, Kirkland, WA (US)

(73) Assignee: **PACCAR Inc**, Bellevue, WA (US)

(**) Term: **14 Years**

(21) Appl. No.: **29/238,194**

(22) Filed: **Sep. 12, 2005**

(51) **LOC (8) Cl.** **26-06**

(52) **U.S. Cl.** **D26/28**

(58) **Field of Classification Search** D26/28-36;
362/459-468, 475-478, 485-487

See application file for complete search history.

(56) **References Cited**

U.S. PATENT DOCUMENTS

D291,872 S 9/1987 Simons et al.
D291,982 S 9/1987 Simons et al.
D307,731 S 5/1990 Kerney et al.

(Continued)

OTHER PUBLICATIONS

Kenworth Truck Company W900 brochure, Kirkland, Wash, 2005.

(Continued)

Primary Examiner—Marcus A. Jackson
(74) *Attorney, Agent, or Firm*—Christensen O'Connor Johnson Kindness PLLC

(57) **CLAIM**

The ornamental design for a surface configuration for truck headlamp, as shown and described.

DESCRIPTION

FIG. 1 is a front perspective view of a surface configuration for truck headlamp showing a first embodiment of our new design;

FIG. 2 is a front elevational view of the surface configuration for truck headlamp of FIG. 1;

FIG. 3 is a right side elevational view of the surface configuration for truck headlamp of FIG. 1;

FIG. 4 is a top plan view of the surface configuration for truck headlamp of FIG. 1;

FIG. 5 is a front perspective view of a surface configuration for truck headlamp showing a second embodiment of our new design;

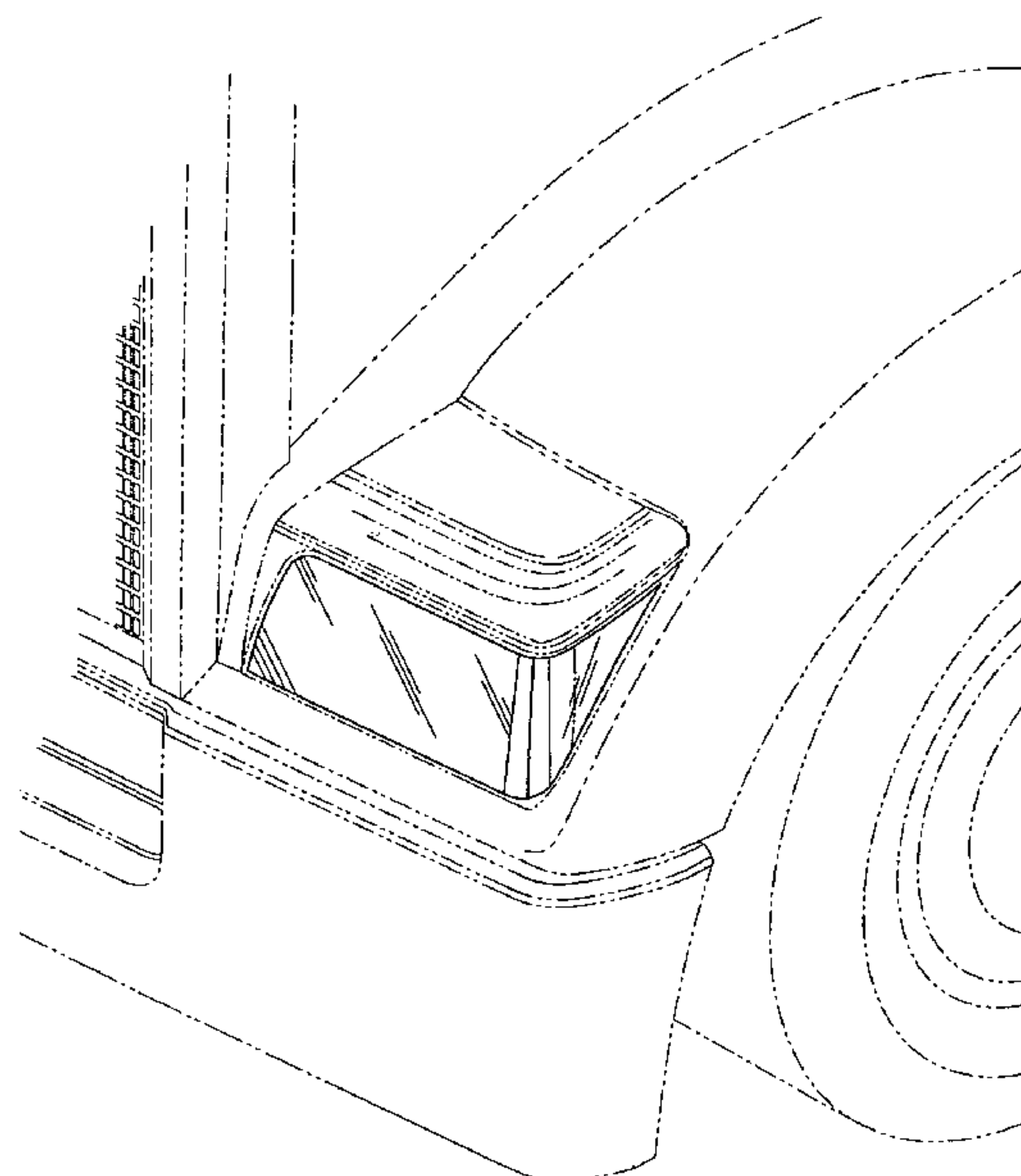
FIG. 6 is a front elevational view of the surface configuration for truck headlamp of FIG. 5;

FIG. 7 is a left side elevational view of the surface configuration for truck headlamp of FIG. 5; and,

FIG. 8 is a top plan view of the surface configuration for truck headlamp of FIG. 5.

The broken lines in the drawings form no part of the claimed design.

1 Claim, 6 Drawing Sheets



US D583,968 S

Page 2

U.S. PATENT DOCUMENTS

D308,032 S	5/1990	Kerney et al.	D475,657 S	6/2003	Wong et al.
D312,805 S	12/1990	Marlowe et al.	D477,427 S	7/2003	Mazziotti
D313,966 S	1/1991	Marlowe et al.	D490,560 S	5/2004	Zyskowski
D320,583 S	10/1991	Simons et al.	D492,044 S *	6/2004	Metros et al. D26/28
D329,214 S	9/1992	Marlowe et al.	D492,801 S *	7/2004	Metros et al. D26/28
D343,605 S	1/1994	Meryman	D493,552 S	7/2004	Metros et al.
D343,916 S	2/1994	King et al.	D493,902 S	8/2004	Hoelzel et al.
D363,561 S	10/1995	Lagaay et al.	D494,293 S	8/2004	Pfeiffer
D366,638 S	1/1996	Tucker et al.	D494,900 S	8/2004	Satou
D382,841 S	8/1997	Norwood et al.	D495,071 S	8/2004	Pfeiffer
D384,019 S	9/1997	Meryman et al.	D498,010 S	11/2004	Pfeiffer et al.
D395,860 S	7/1998	Meryman et al.	D498,314 S	11/2004	Pfeiffer et al.
D403,636 S	1/1999	Meryman et al.	D499,496 S *	12/2004	Papke et al. D26/28
D411,140 S	6/1999	Meryman et al.	D499,822 S	12/2004	Pfeiffer
D411,494 S	6/1999	Meryman et al.	D500,565 S	1/2005	Hoelzel et al.
D414,571 S	9/1999	Schneider et al.	D504,186 S	4/2005	Pfeiffer
D421,817 S	3/2000	Tucker et al.	D549,858 S *	8/2007	Pfeiffer D26/28
D422,251 S	4/2000	Bader et al.	D560,832 S *	1/2008	Hsu D26/28
D423,990 S	5/2000	Meryman et al.			
D424,489 S	5/2000	Damon et al.			
D425,450 S	5/2000	Barraclough et al.			
D426,905 S	6/2000	Cook et al.			
D431,806 S	10/2000	Damon et al.			
D433,981 S	11/2000	Davis et al.			
D434,347 S	11/2000	Damon et al.			
D435,816 S	1/2001	Delashaw et al.			
D436,563 S	1/2001	Delashaw et al.			
D436,894 S	1/2001	Barraclough et al.			
D437,258 S	2/2001	Meryman et al.			
D437,570 S	2/2001	Meryman et al.			
D450,277 S	11/2001	Onopa			
D458,397 S	6/2002	Horowitz			
D470,956 S	2/2003	Horowitz			

OTHER PUBLICATIONS

Kenworth Truck Company W900 brochure, Kirkland, Wash, 2002.
Kenworth Truck Company W900 brochure, Kirkland, Wash, 1996.
Kenworth Truck Company T2000 brochure, Kirkland, Wash, 2005.
Kenworth Truck Company T2000 brochure, Kirkland, Wash, 2002.
Kenworth Truck Company T800 brochure, Kirkland, Wash, 2005.
Kenworth Truck Company T800 brochure, Kirkland, Wash, 2003.
Kenworth Truck Company T800 brochure, Kirkland, Wash, 2002.
Kenworth Truck Company T600 brochure, Kirkland, Wash, 2005.
Kenworth Truck Company T600 brochure, Kirkland, Wash, 2002.
Kenworth Truck Company T600 brochure, Kirkland, Wash, 1996.
Kenworth Truck Company T300 brochure, Kirkland, Wash, 2005.
Kenworth Truck Company T300 brochure, Kirkland Wash, 2001.

* cited by examiner

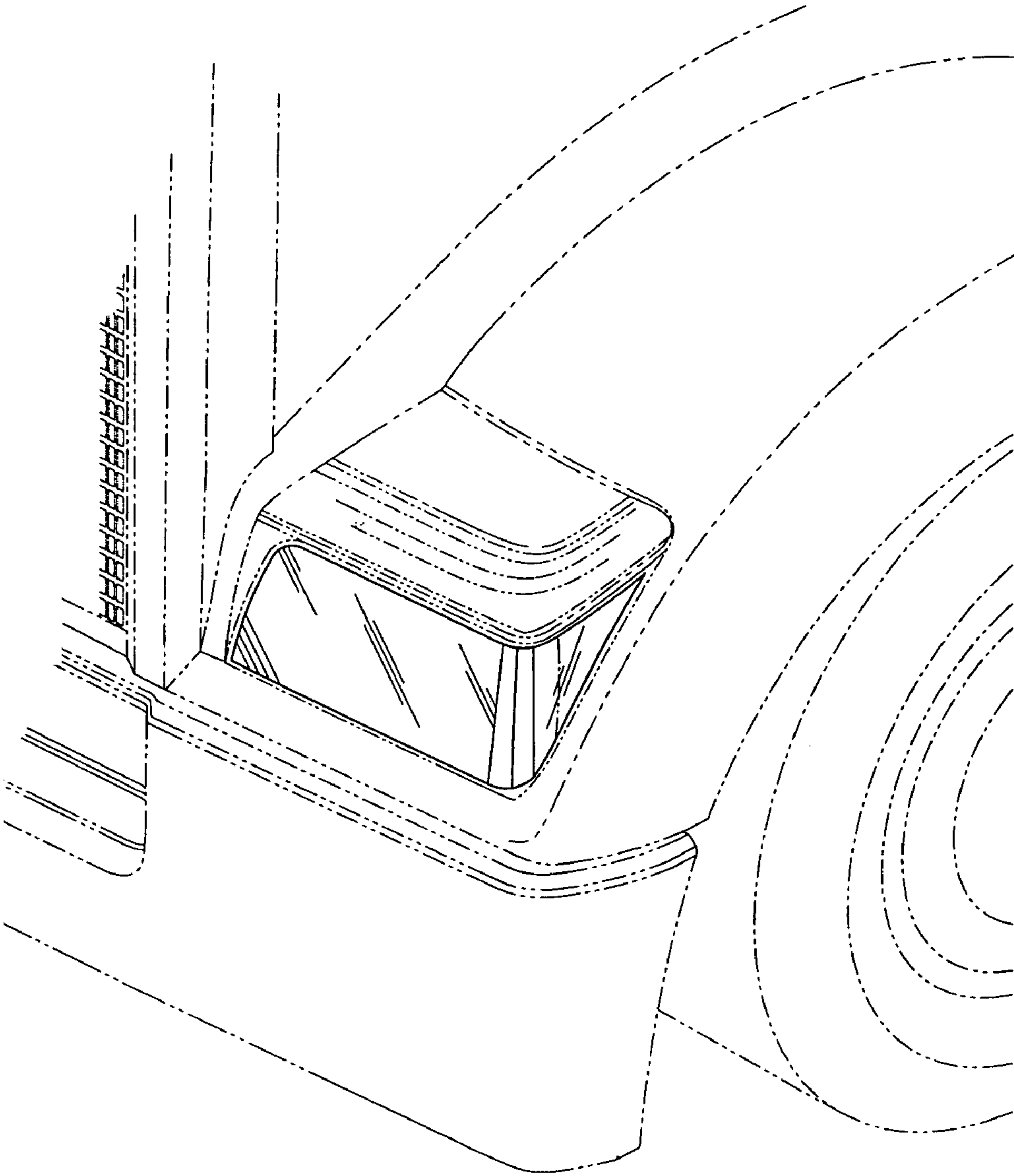


Fig. 1.

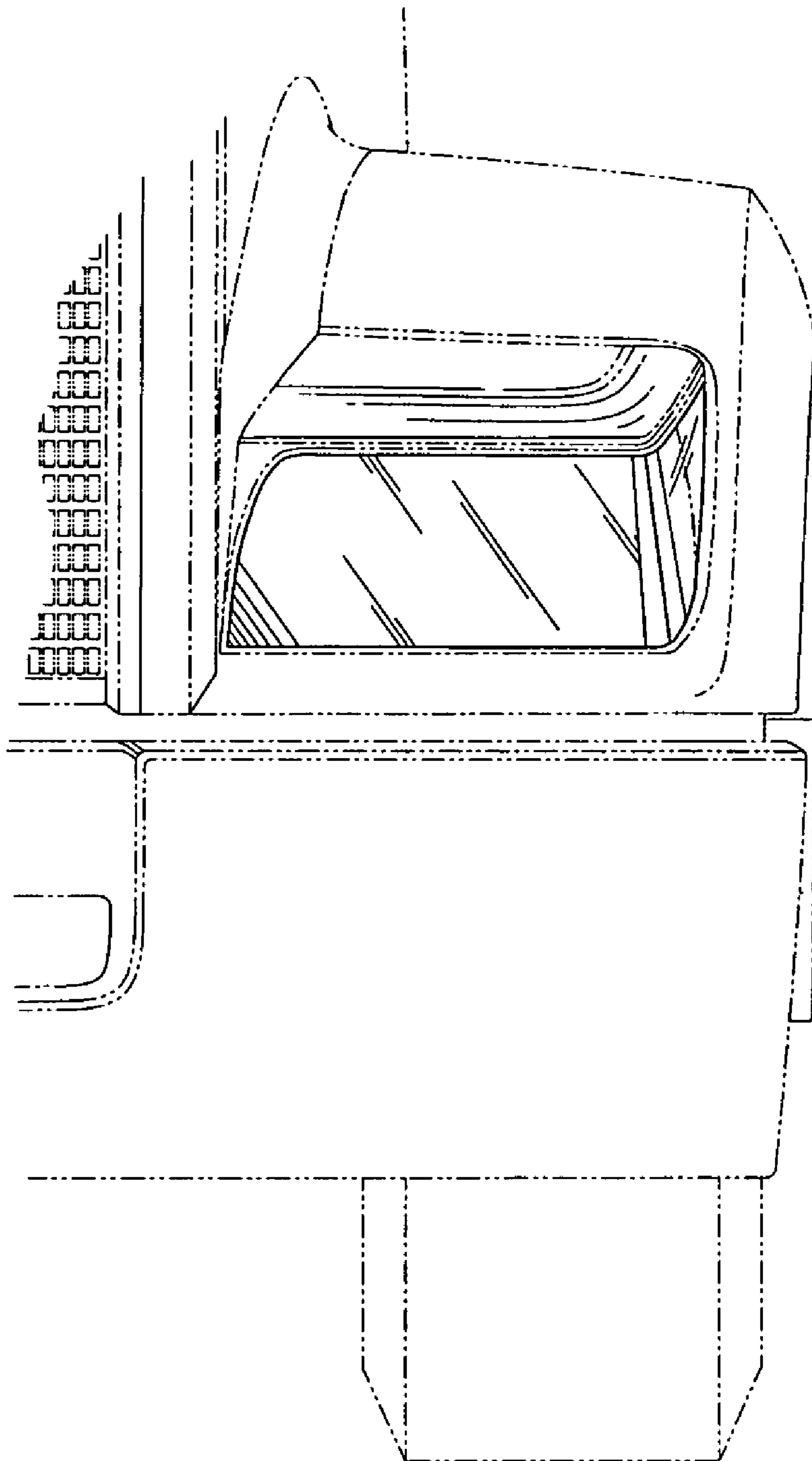


Fig. 2.

Fig.3.

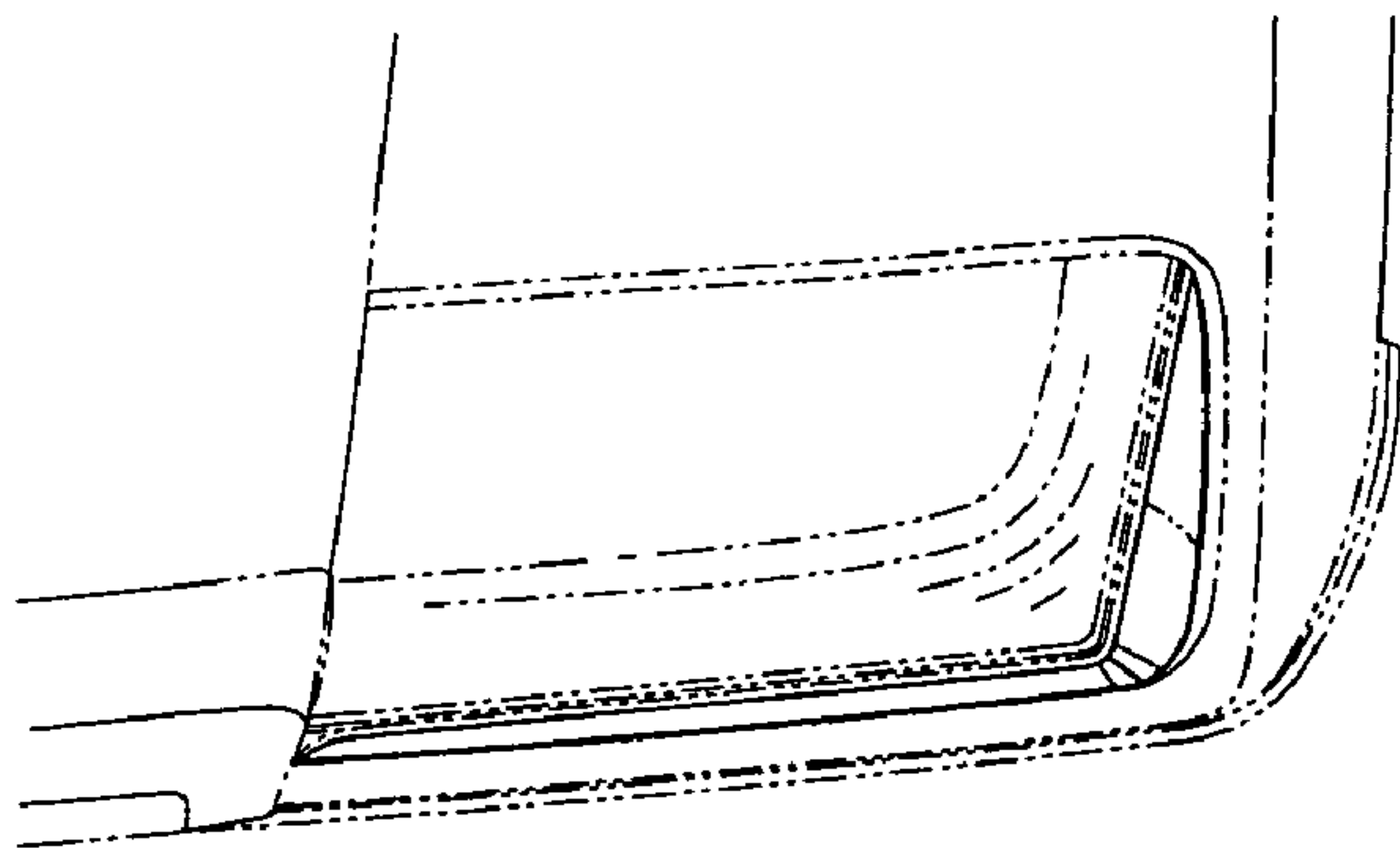
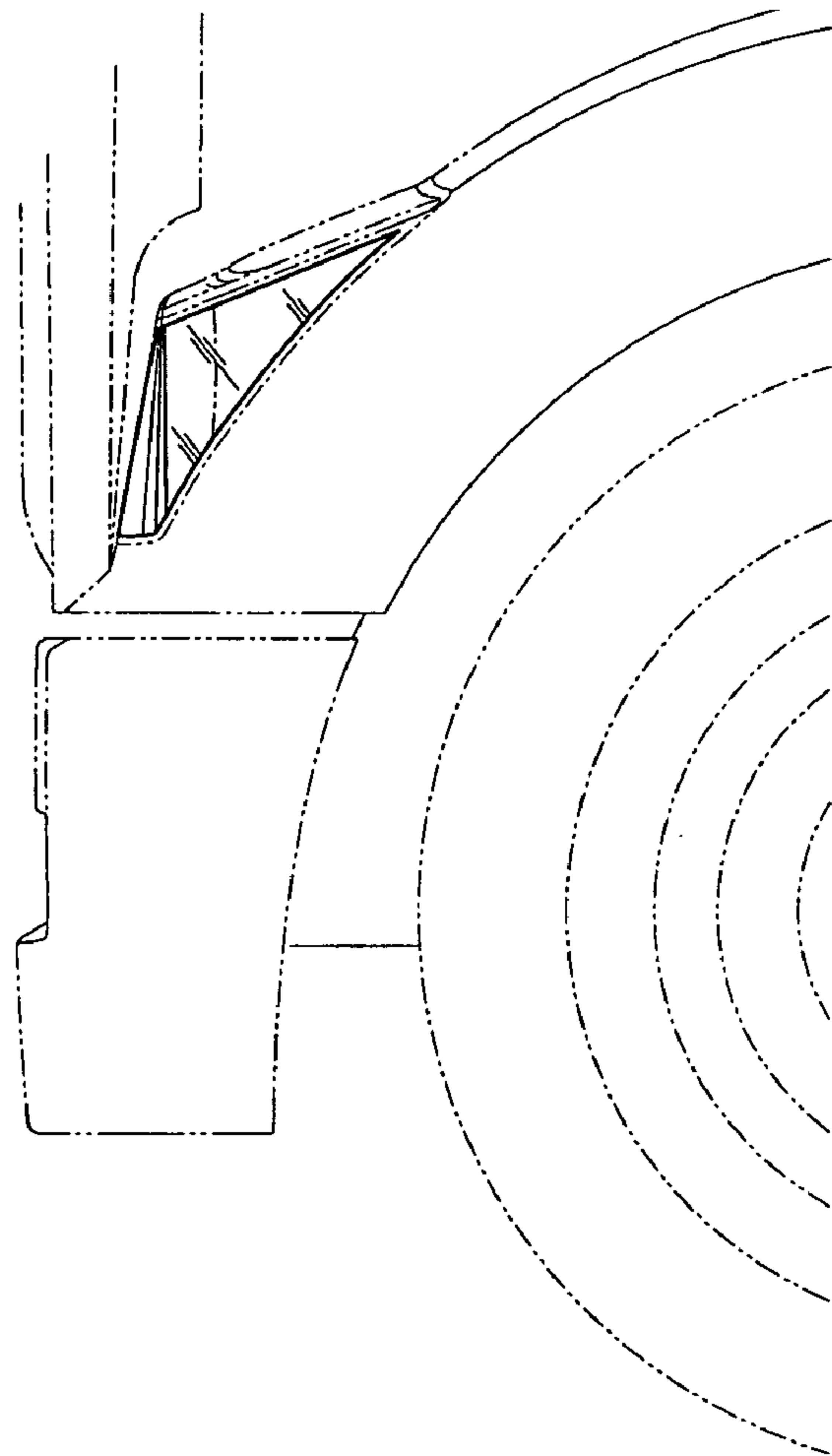


Fig.4.

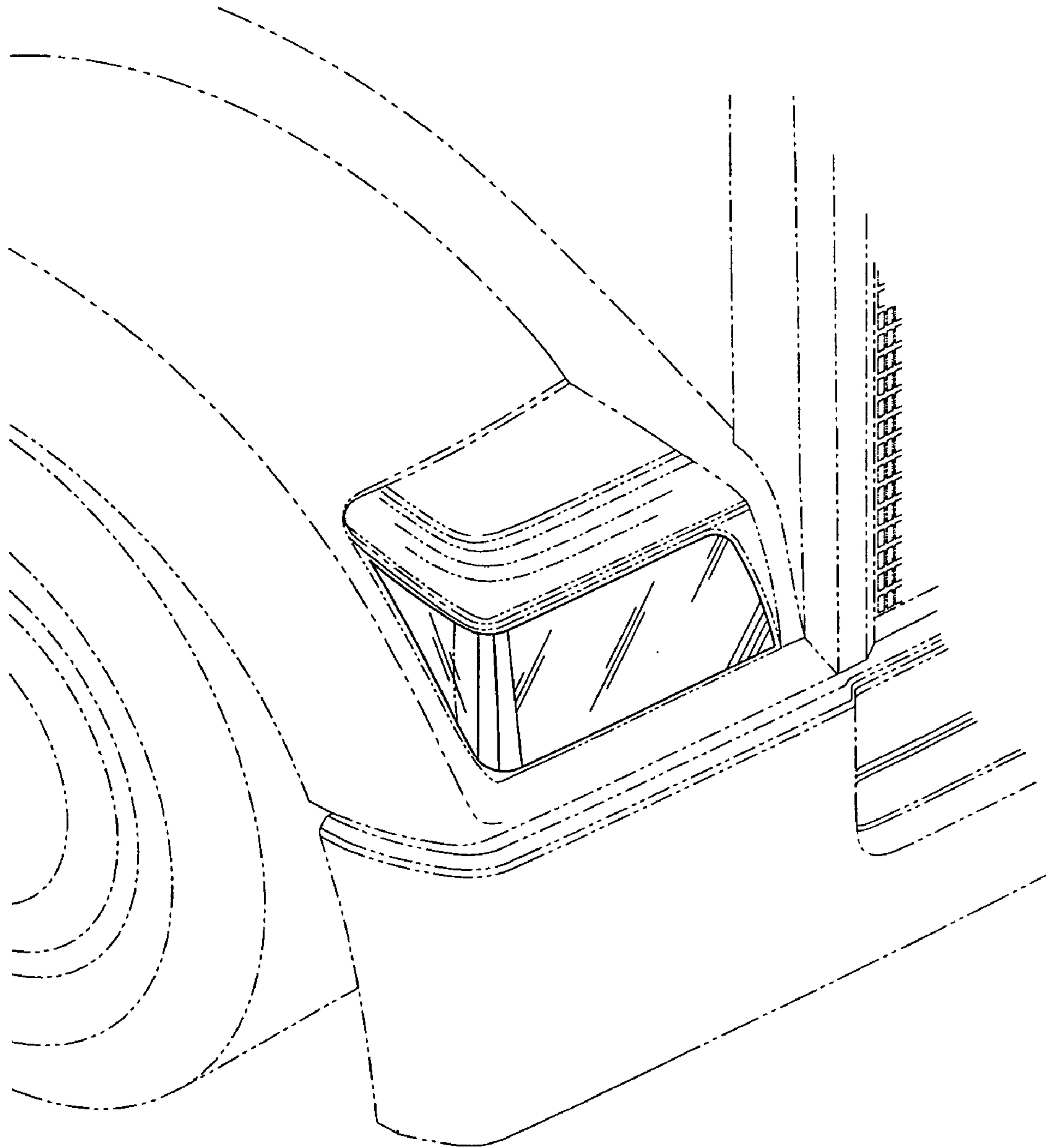
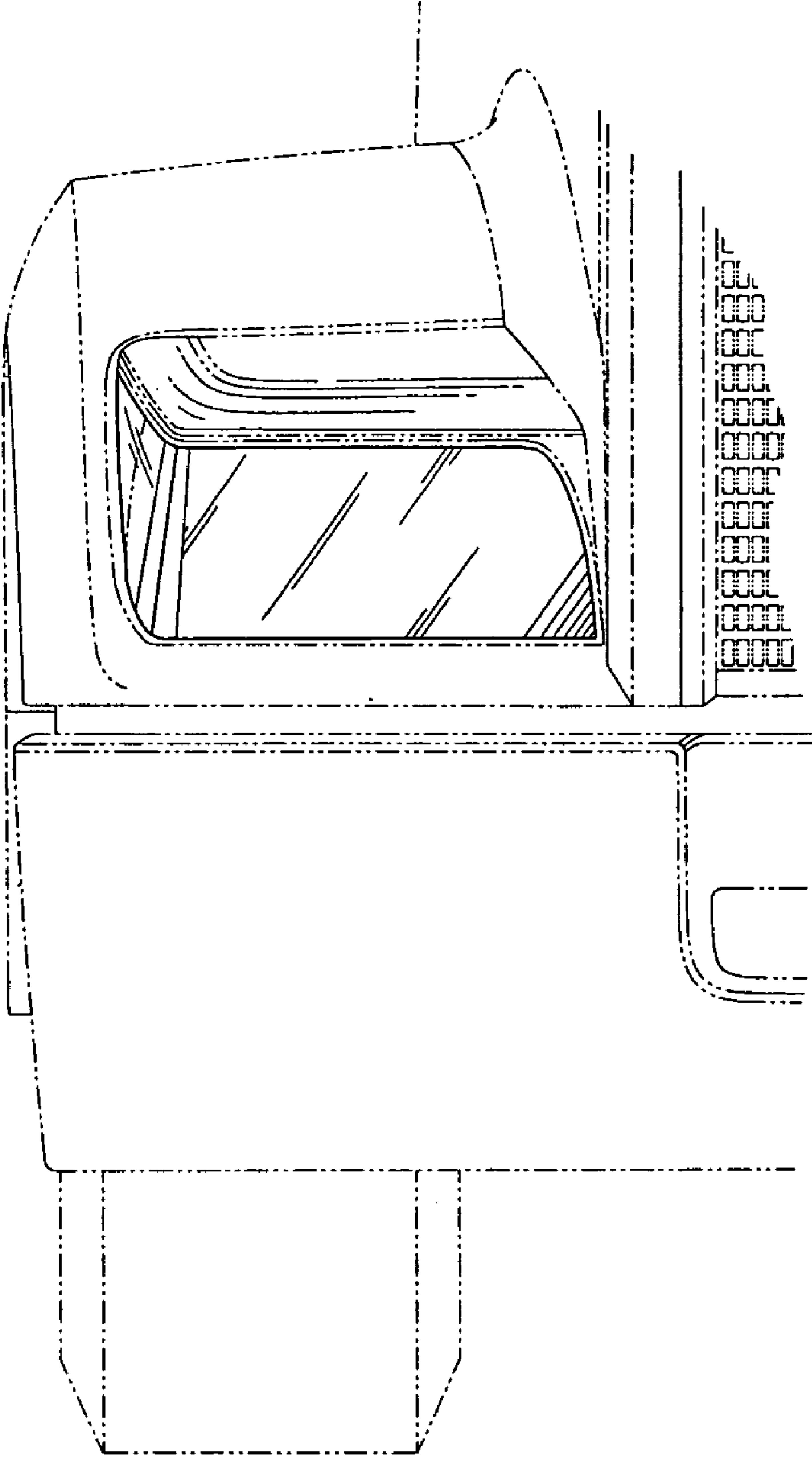


Fig. 5.

Fig. 6.



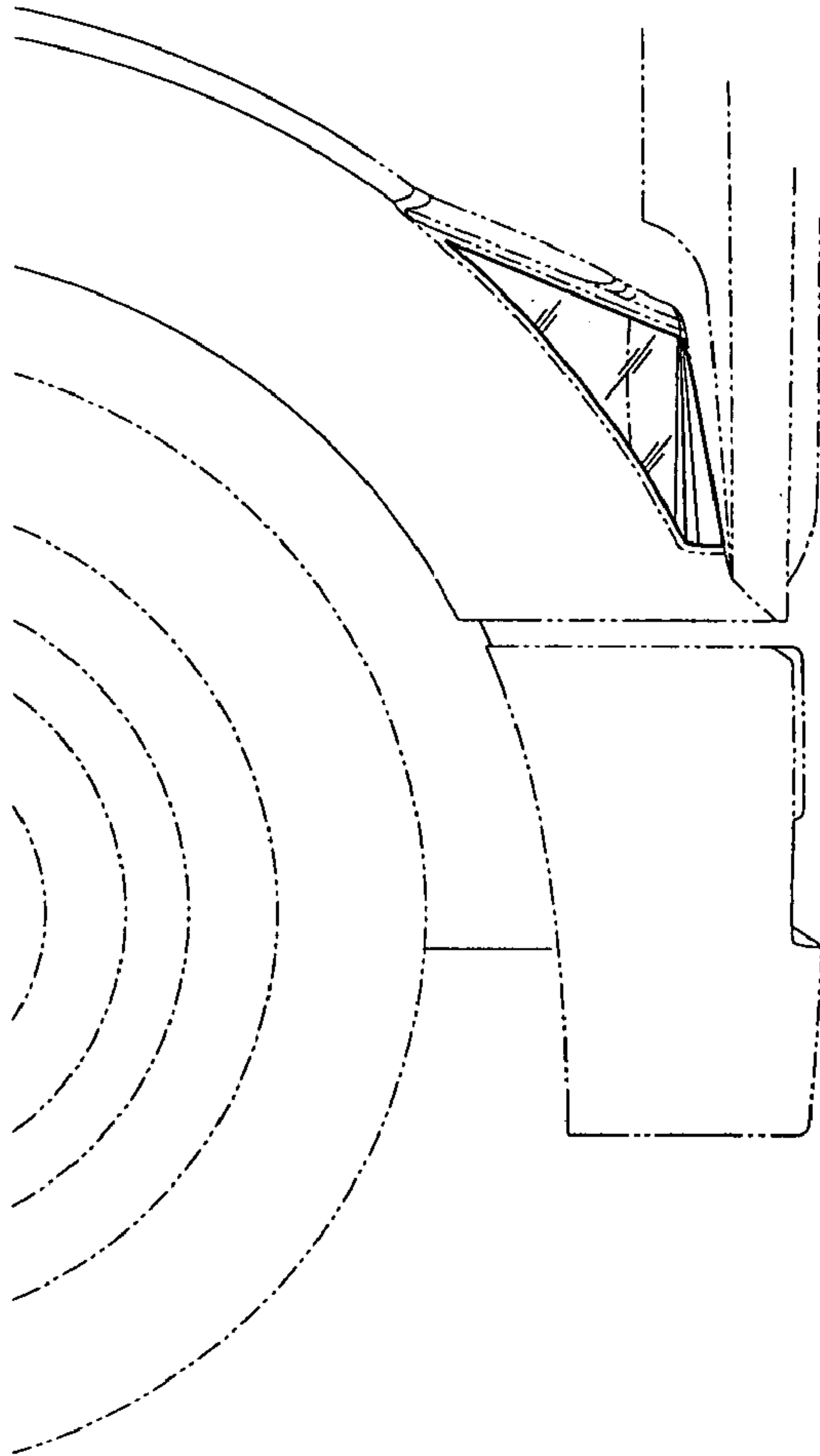


Fig. 7.

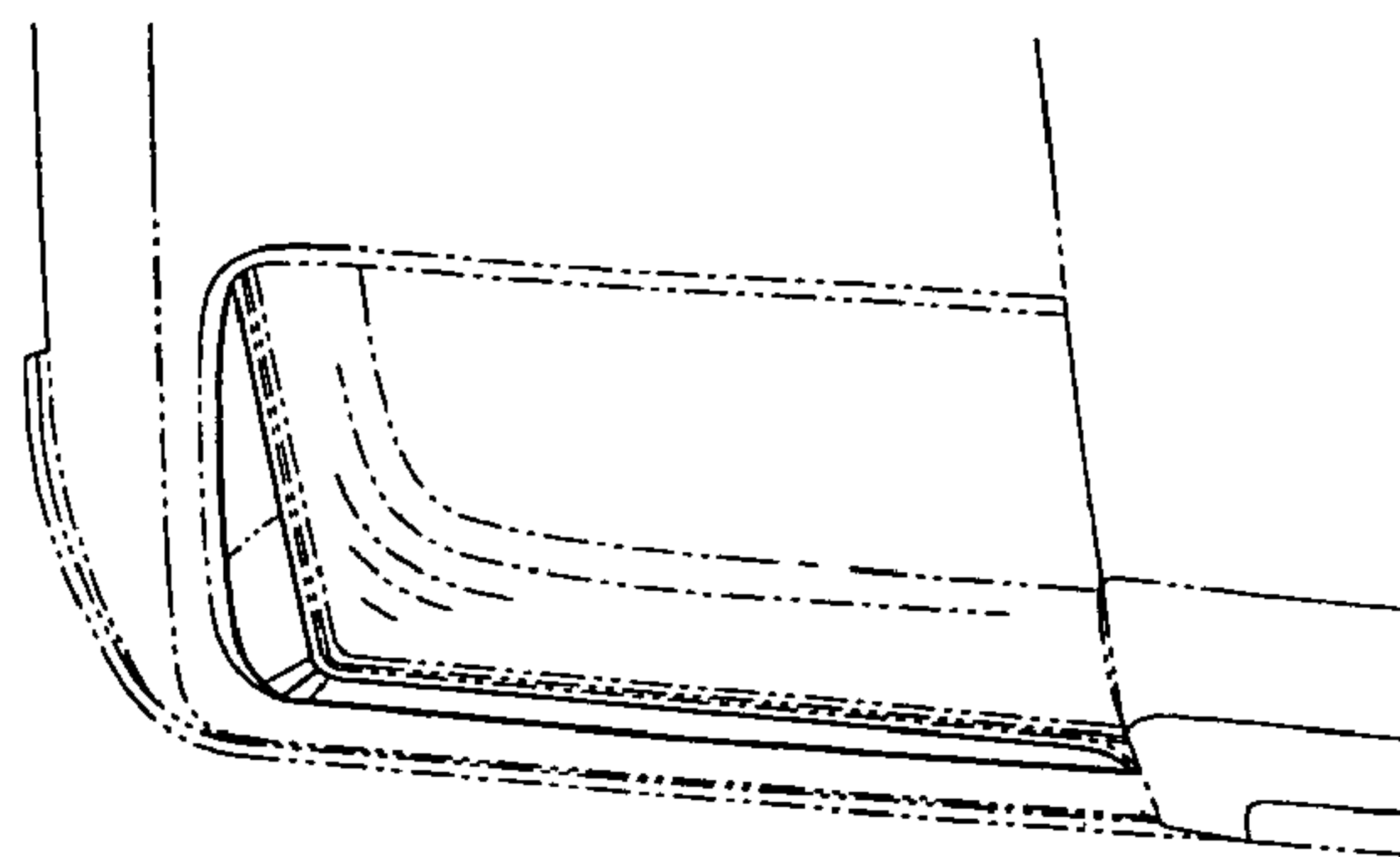


Fig. 8.