



US00D583967S

(12) **United States Design Patent**
Leunis

(10) **Patent No.:** **US D583,967 S**

(45) **Date of Patent:** **** Dec. 30, 2008**

(54) **LAMP**

(75) Inventor: **Jan Leunis**, Oirschot (NL)

(73) Assignee: **Flowie Lighting International (Holding) B.V.**, Amsterdam (NL)

(**) Term: **14 Years**

(21) Appl. No.: **29/307,399**

(22) Filed: **Apr. 16, 2008**

D484,270 S *	12/2003	Yiu	D26/89
6,824,294 B2 *	11/2004	Cao	362/231
D509,617 S *	9/2005	Benghozi	D26/89
D519,669 S *	4/2006	Citterio	D26/89
D535,039 S *	1/2007	Sorokin	D26/24
D544,618 S *	6/2007	Coushaine	D26/37
2003/0137831 A1 *	7/2003	Lin	362/183
2004/0114363 A1 *	6/2004	Crunk	362/222
2006/0250789 A1 *	11/2006	Coushaine	362/157

Related U.S. Application Data

(63) Continuation of application No. 29/261,169, filed on Jun. 7, 2006, now abandoned.

Foreign Application Priority Data

Dec. 7, 2005 (EM) 000444591-004

(51) **LOC (8) Cl.** **26-05**

(52) **U.S. Cl.** **D26/24**

(58) **Field of Classification Search** D26/2,
D26/24, 72, 74, 80, 81, 82, 83, 85, 88, 89,
D26/113; D10/111; 362/11, 13, 86, 157,
362/183, 216, 227, 230, 240, 244, 253, 311,
362/458, 477, 611, 612, 812

See application file for complete search history.

(56) **References Cited**

U.S. PATENT DOCUMENTS

D412,040 S *	7/1999	Hudak et al.	D26/87
D476,769 S *	7/2003	Pilkington	D26/72

* cited by examiner

Primary Examiner—Cathron C Brooks

Assistant Examiner—Angela J Lee

(74) *Attorney, Agent, or Firm*—Abelman, Frayne & Schwab

(57) **CLAIM**

The ornamental design for a lamp, as shown and described.

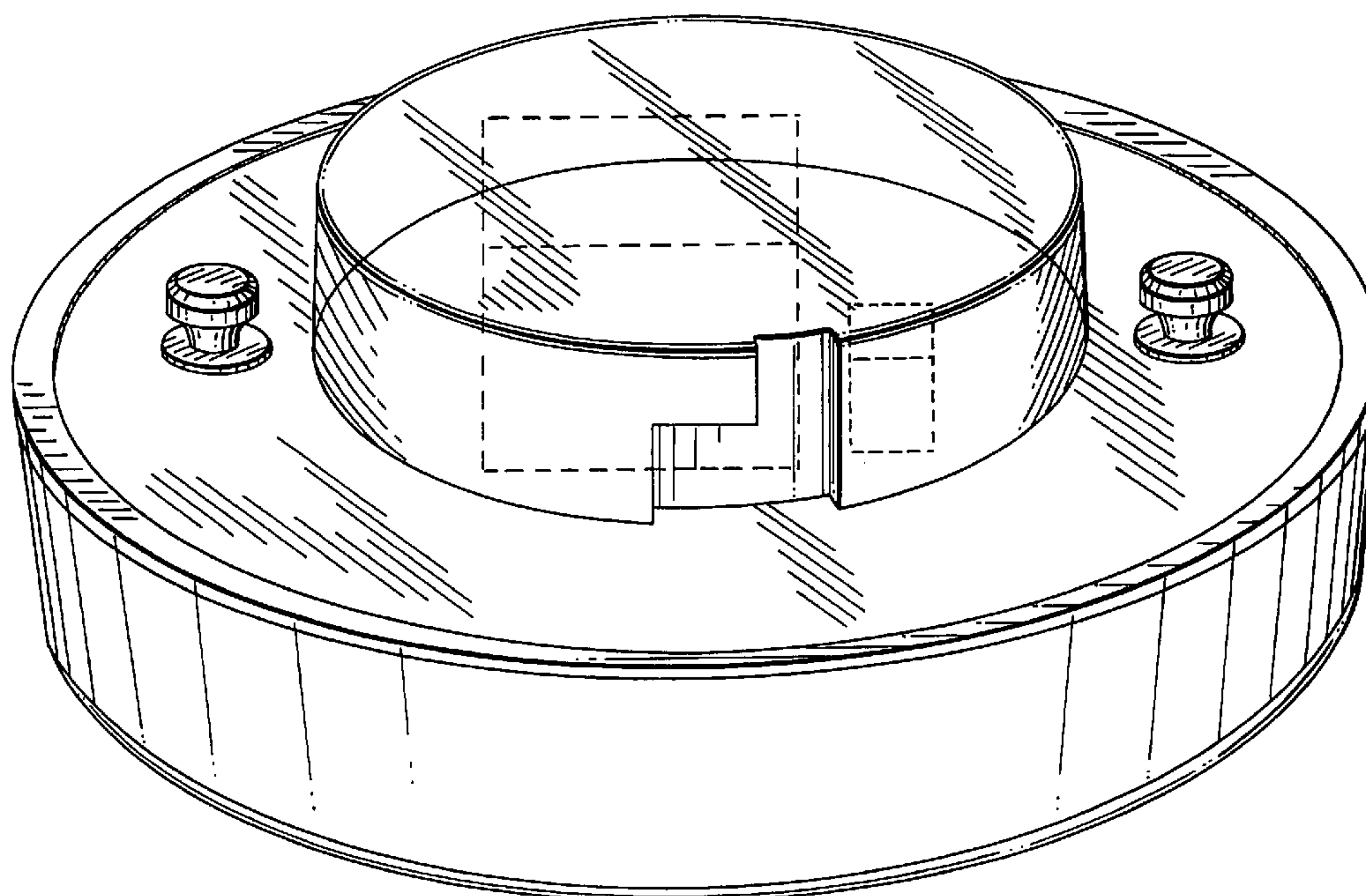
DESCRIPTION

FIG. 1 shows a top rear perspective view of a lamp according to my new design; and,

FIG. 2 shows a bottom rear perspective view of the lamp shown in FIG. 1.

The broken line showing of portions of the lamp forms no part of the claimed design.

1 Claim, 2 Drawing Sheets



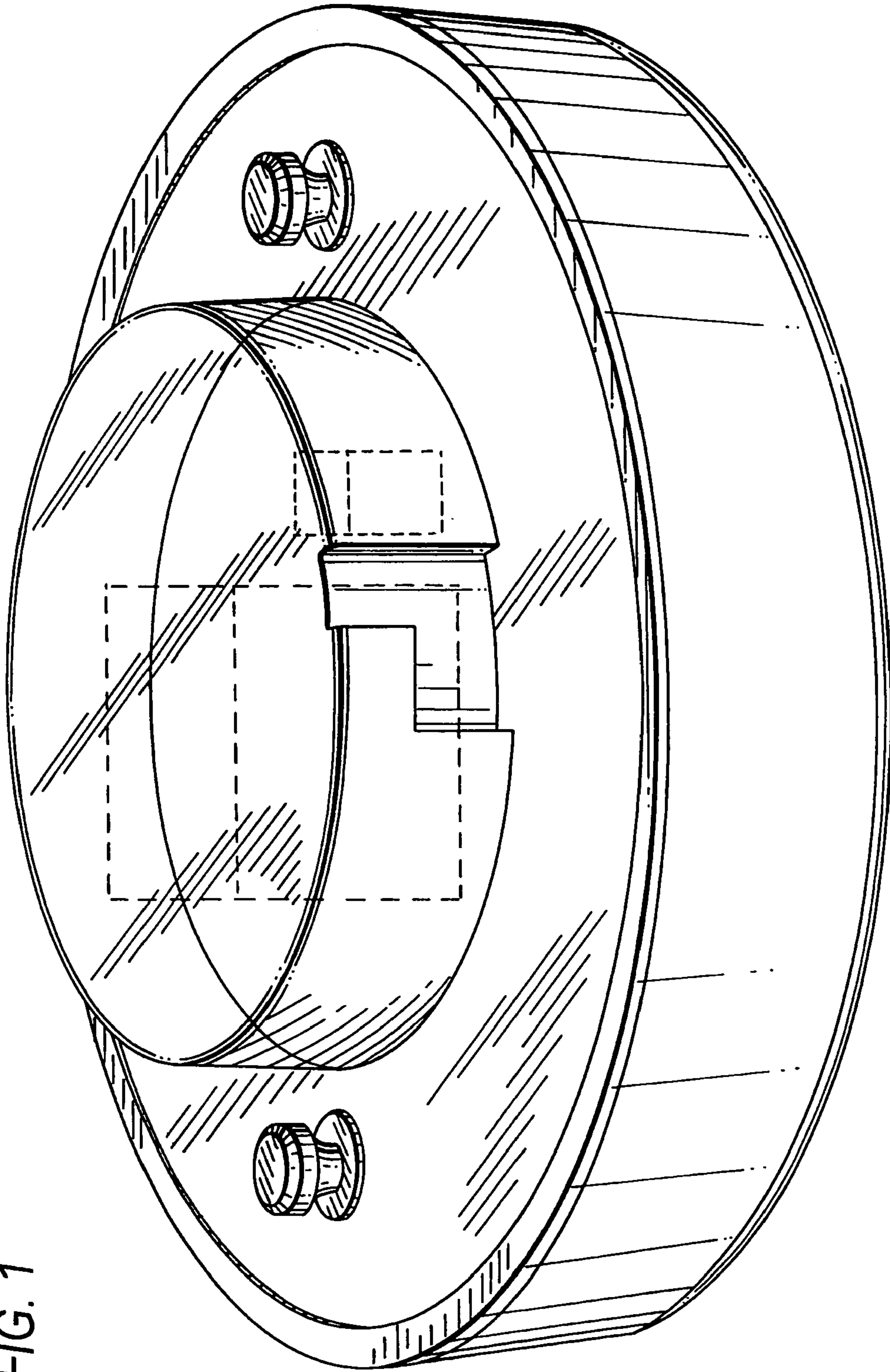


FIG. 1

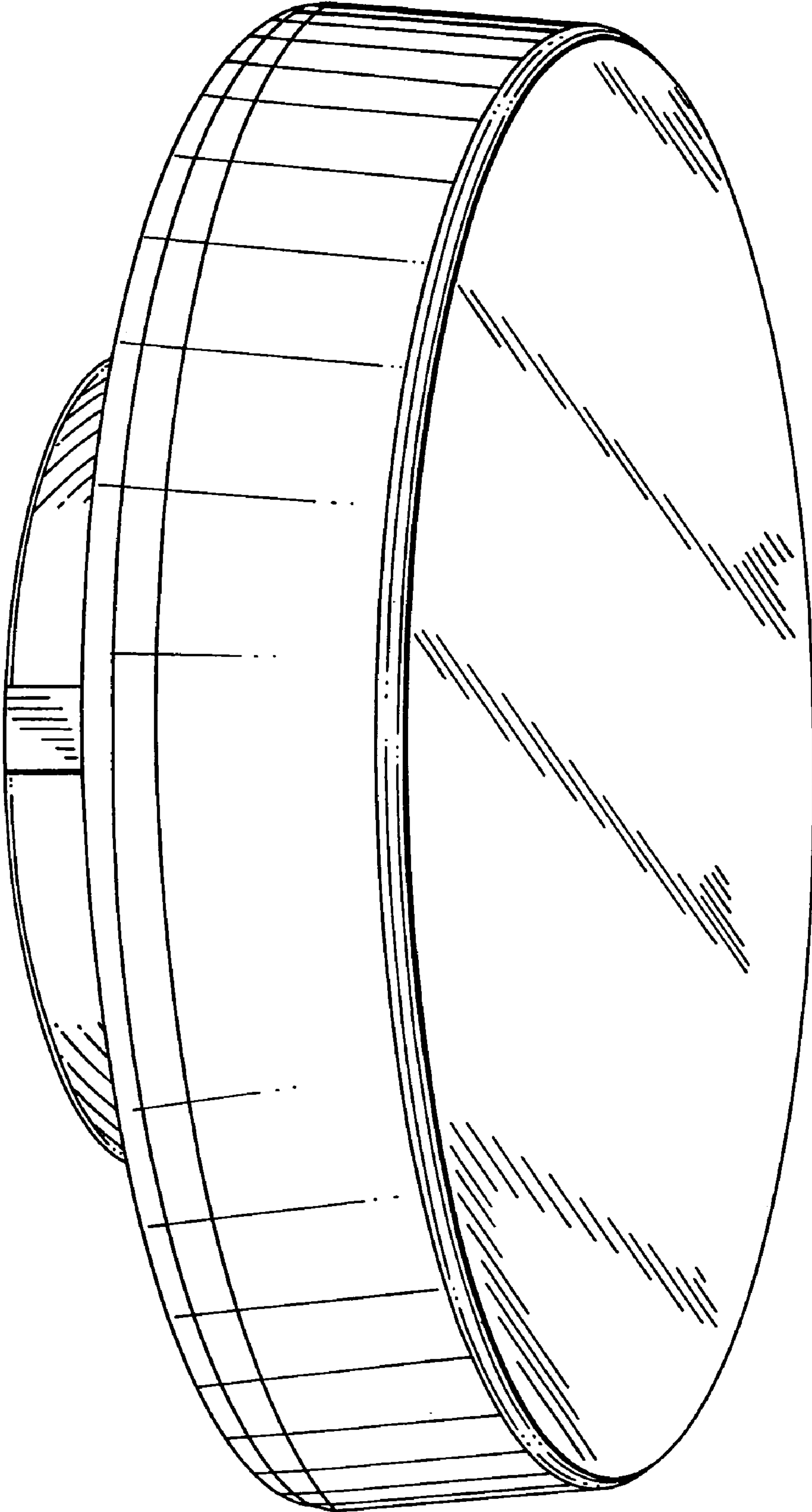


FIG. 2