



US00D583965S

(12) **United States Design Patent**
Castellanos

(10) **Patent No.:** **US D583,965 S**

(45) **Date of Patent:** **** Dec. 30, 2008**

(54) **HIP AND RIDGE ATTACHMENT DEVICE**

(74) *Attorney, Agent, or Firm*—Sanchelima & Assoc., P.A.

(76) **Inventor:** **Tom Castellanos**, 2301 W. 8th La.,
Hialeah, FL (US) 33010

(57) **CLAIM**

(**) **Term:** **14 Years**

I claim the ornamental design for a hip and ridge attachment device, as shown and described.

(21) **Appl. No.:** **29/248,808**

DESCRIPTION

(22) **Filed:** **Sep. 5, 2006**

(51) **LOC (8) Cl.** **25-01**

(52) **U.S. Cl.** **D25/125; D25/121**

(58) **Field of Classification Search** D25/121,
D25/125, 126, 55, 141; 454/364, 365; 52/198,
52/199, 302.1, 716.8, 718.01

FIG. 1 is an enlarged front elevation view of a hip and ridge attachment device showing my new design;

FIG. 2 is an enlarged perspective view of the hip and ridge attachment device.

FIG. 3 is a top view of the hip and ridge attachment device.

FIG. 4 is a front view of the hip and ridge attachment device.

FIG. 5 is a bottom view of the hip and ridge attachment device.

FIG. 6 is a right side view of the hip and ridge attachment device; and,

FIG. 7 is a left side view of the hip and ridge attachment device.

The claimed design is fragmented on the end to indicate indefinite length.

See application file for complete search history.

(56) **References Cited**

U.S. PATENT DOCUMENTS

3,862,529	A *	1/1975	Markos	52/199
6,000,176	A *	12/1999	Lancaster	52/198
D421,807	S *	3/2000	Reid	D25/125
D427,327	S *	6/2000	Bevan et al.	D25/121

* cited by examiner

Primary Examiner—Doris Clark

1 Claim, 2 Drawing Sheets

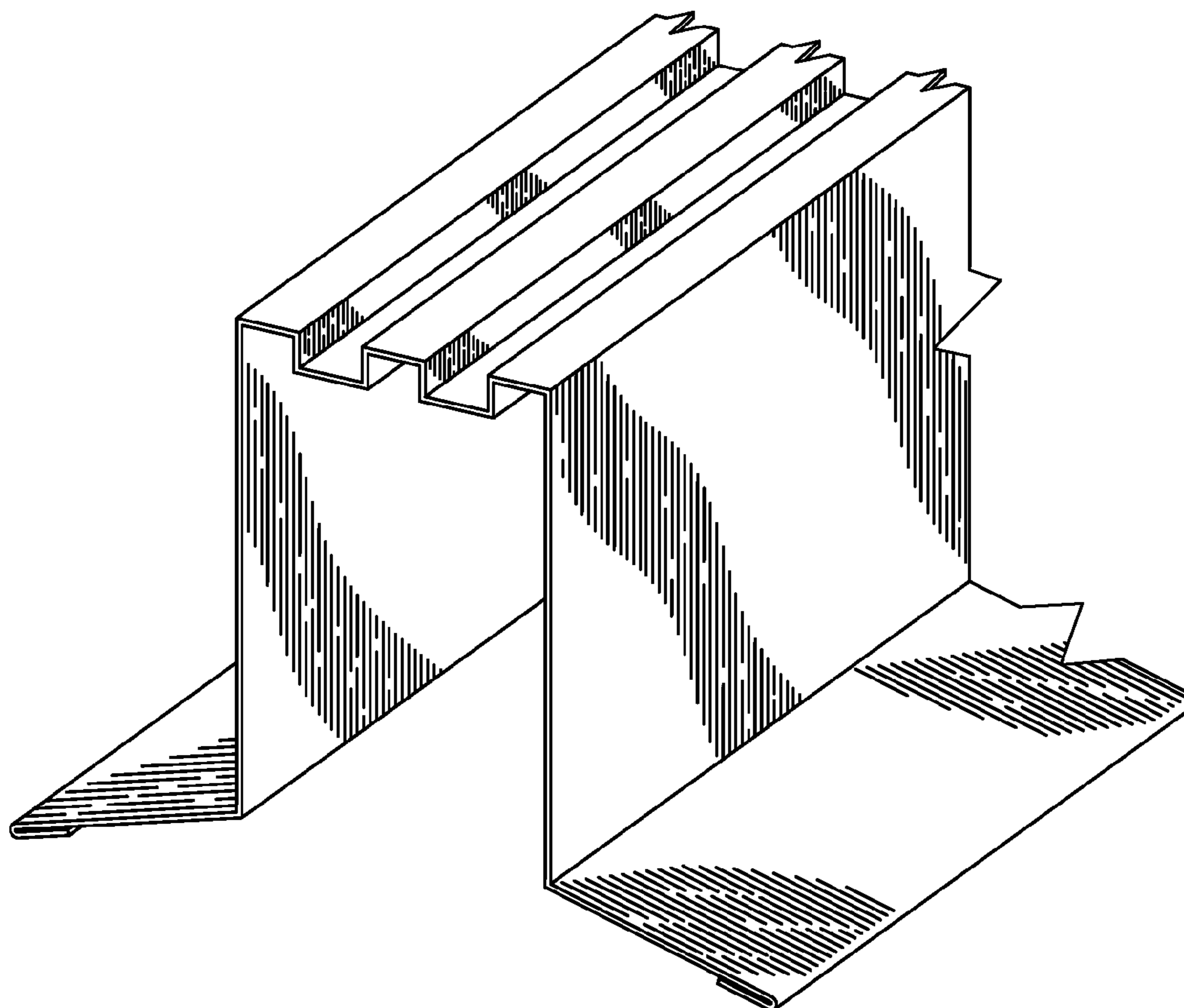


Fig 1

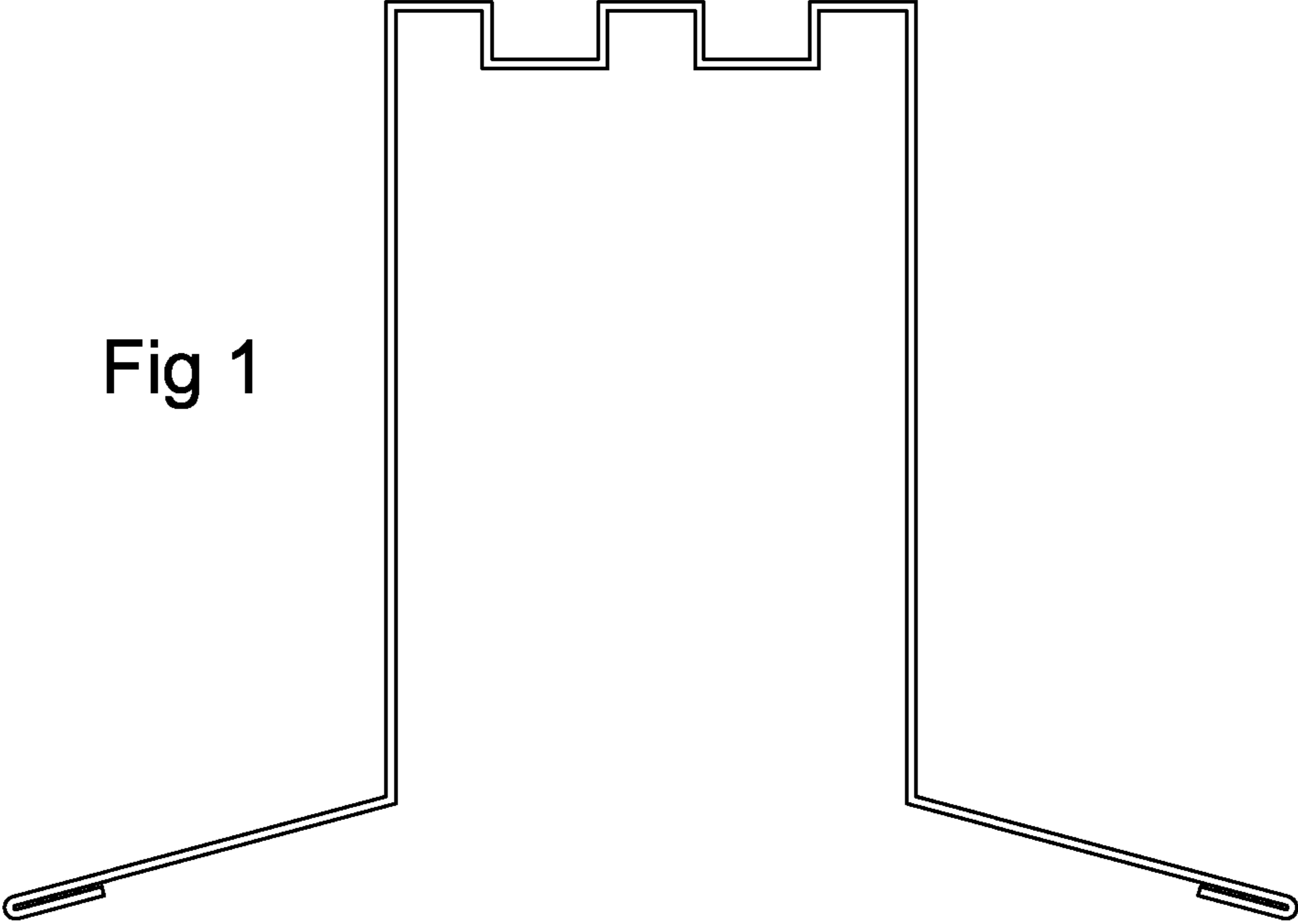
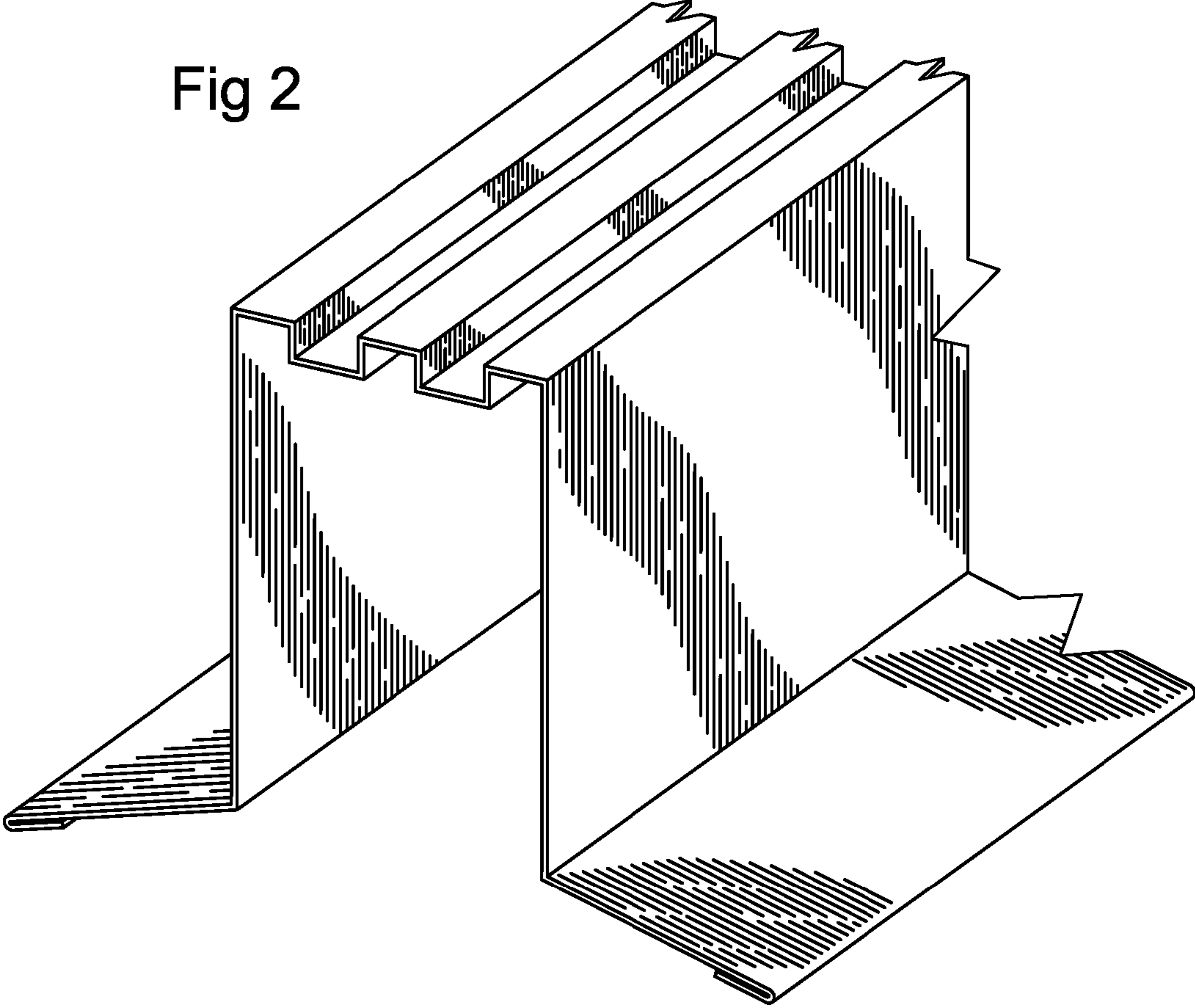


Fig 2



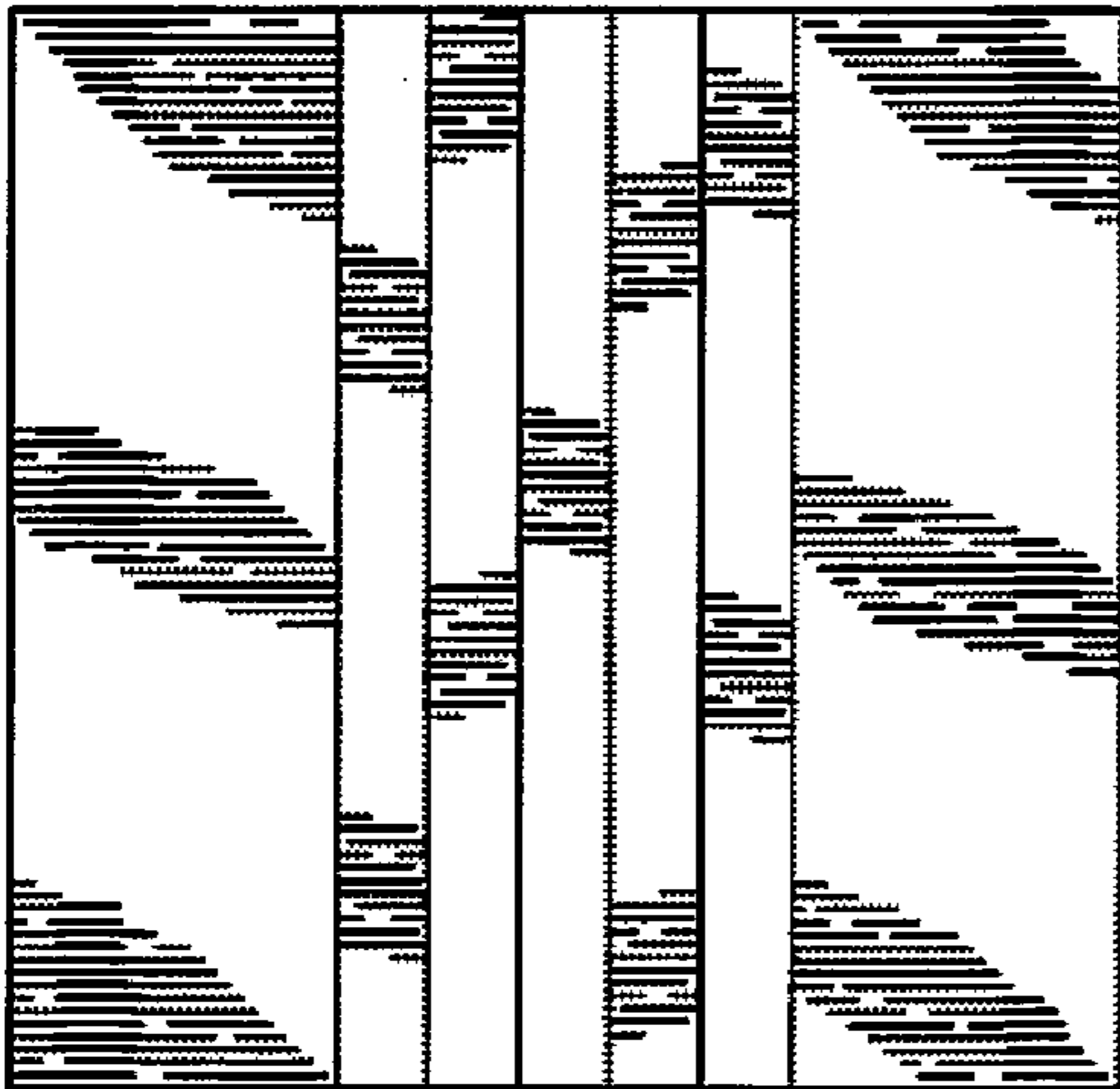


Fig 3

Fig 6

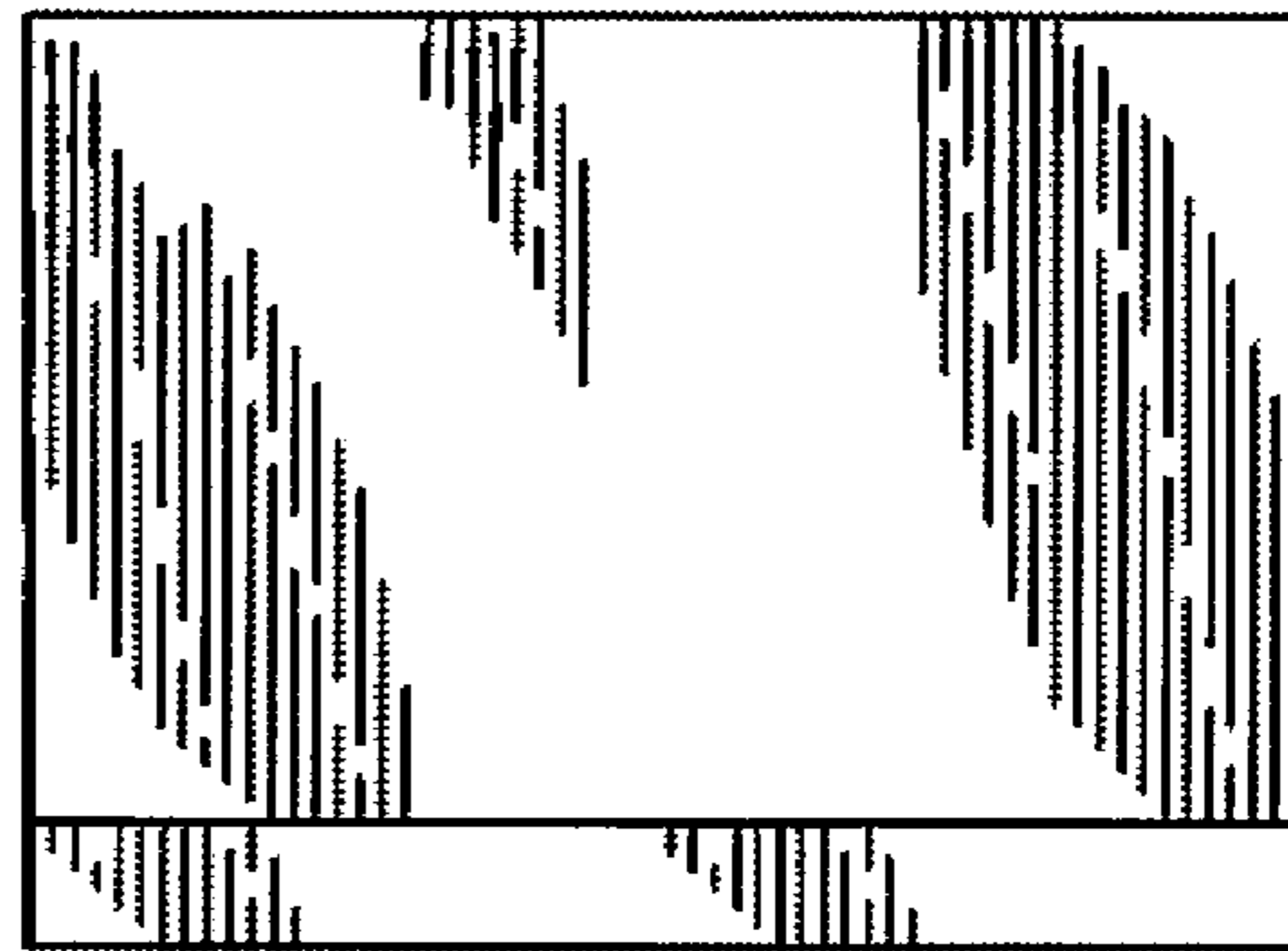


Fig 4

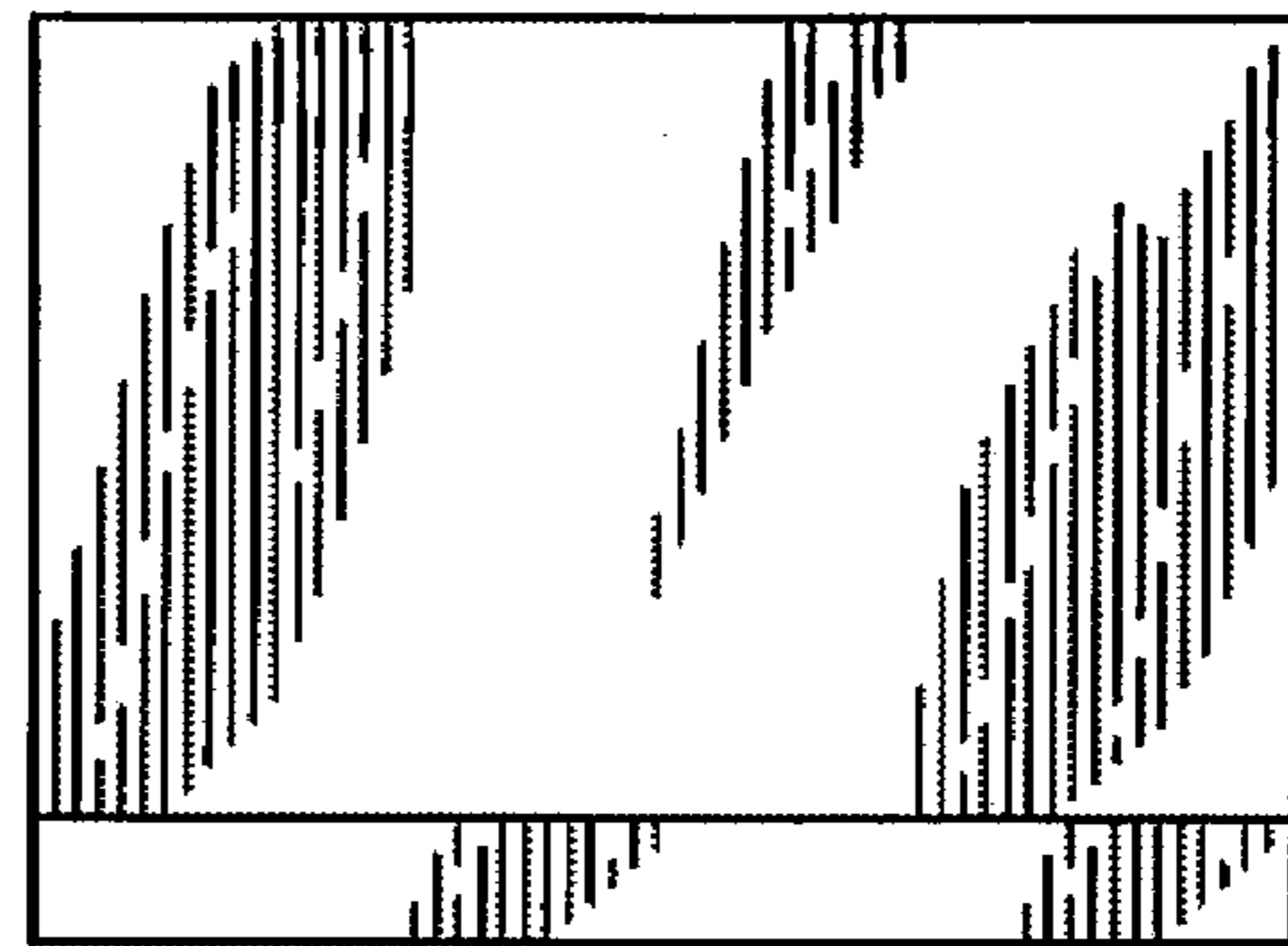
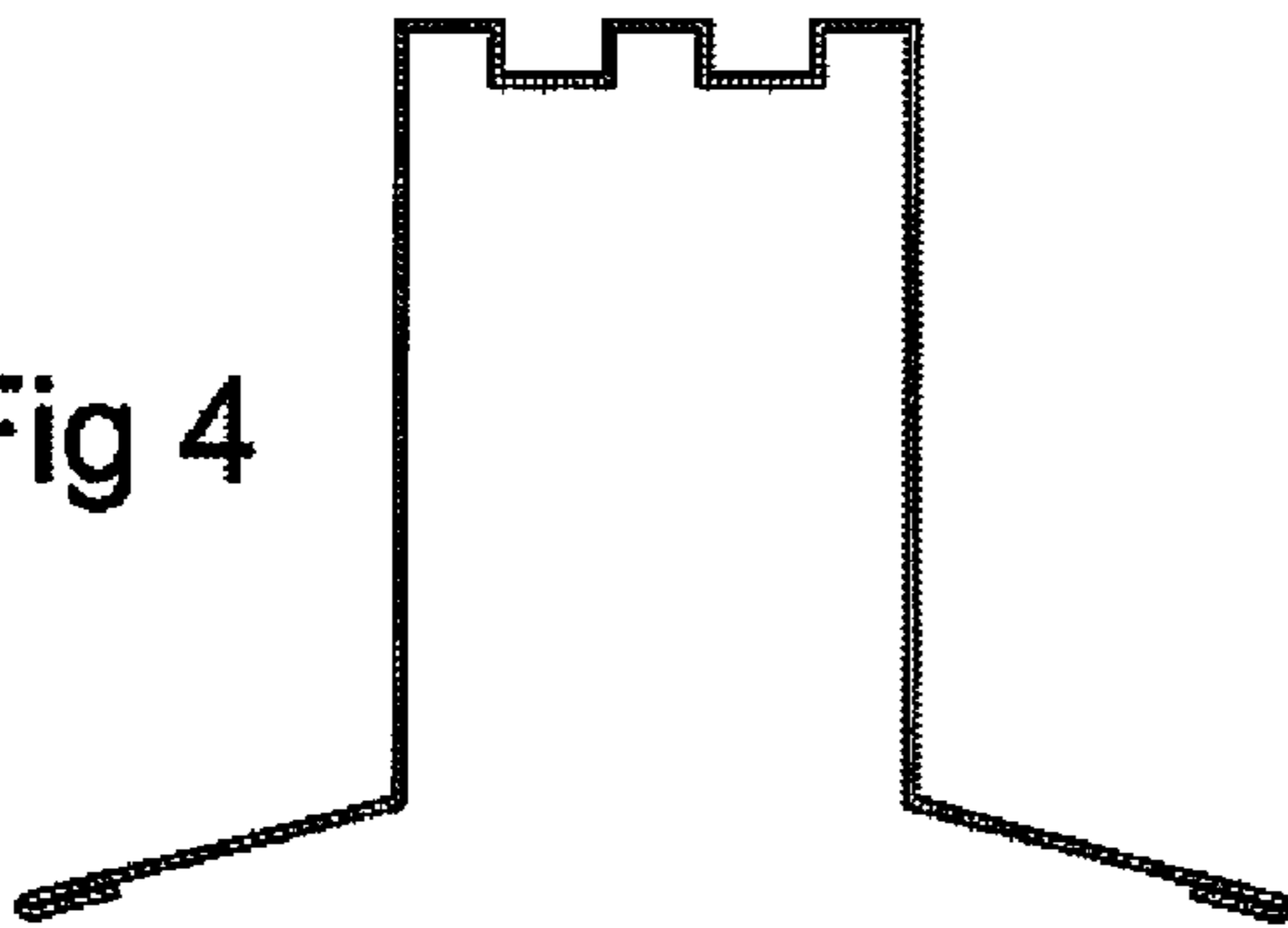


Fig 7

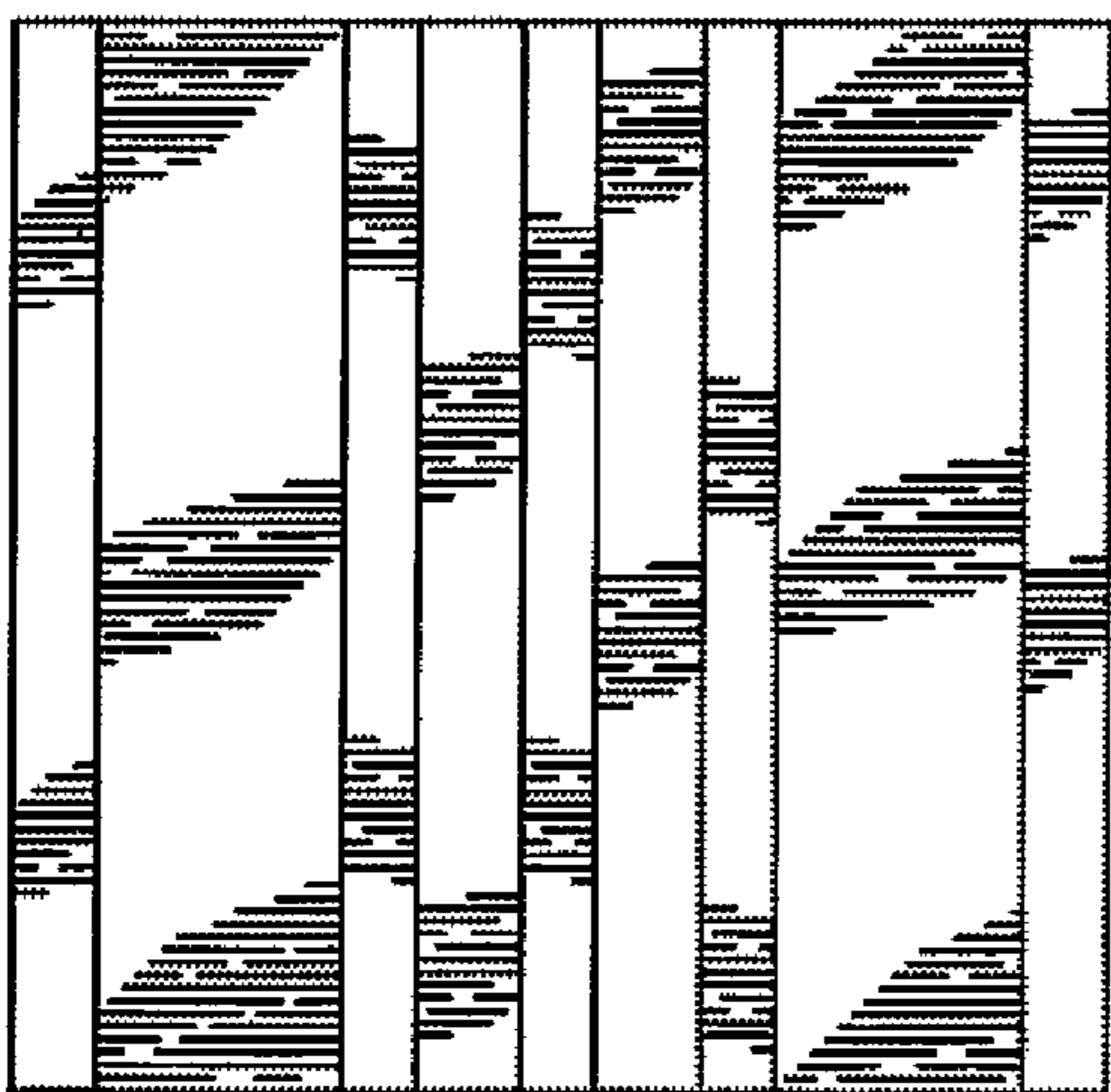


Fig 5