



US00D583957S

(12) **United States Design Patent**
Bromilow

(10) **Patent No.:** **US D583,957 S**

(45) **Date of Patent:** **** Dec. 30, 2008**

(54) **FOOTBATH**

D571,018 S * 6/2008 Ton et al. D24/204

(75) Inventor: **Nigel Bromilow**, Surrey (GB)

(73) Assignee: **Specwaship 2007 Ltd.**,
Buckinghamshire (GB)

(**) Term: **14 Years**

(21) Appl. No.: **29/297,457**

(22) Filed: **Nov. 12, 2007**

(30) **Foreign Application Priority Data**

May 18, 2007 (EM) 000728407-0001

(51) **LOC (8) Cl.** **24-04**

(52) **U.S. Cl.** **D24/204**

(58) **Field of Classification Search** D24/200-205,
D24/212-213; D28/56, 61; D6/336, 495;
601/6, 15, 74, 157-158, 30-32; 607/44;
4/622, 574.1

See application file for complete search history.

(56) **References Cited**

U.S. PATENT DOCUMENTS

6,772,800 B1 * 8/2004 Garcia 4/622
D547,876 S * 7/2007 Walker D24/204
D569,986 S * 5/2008 Ton D24/204

OTHER PUBLICATIONS

Tahara Ablution Systems, Brochure, 1 page, 2005.
Technical Drawings, pp. 2-4.

* cited by examiner

Primary Examiner—Cathron C Brooks

Assistant Examiner—Melanie Levy

(74) *Attorney, Agent, or Firm*—Westman, Champlin & Kelly,
P.A.

(57) **CLAIM**

The ornamental design for footbath, as shown and described.

DESCRIPTION

FIG. 1 is a top and rear perspective view of a footbath showing my new design;

FIG. 2 is a top and front perspective view thereof;

FIG. 3 is a top plan view thereof;

FIG. 4 is a bottom plan view thereof;

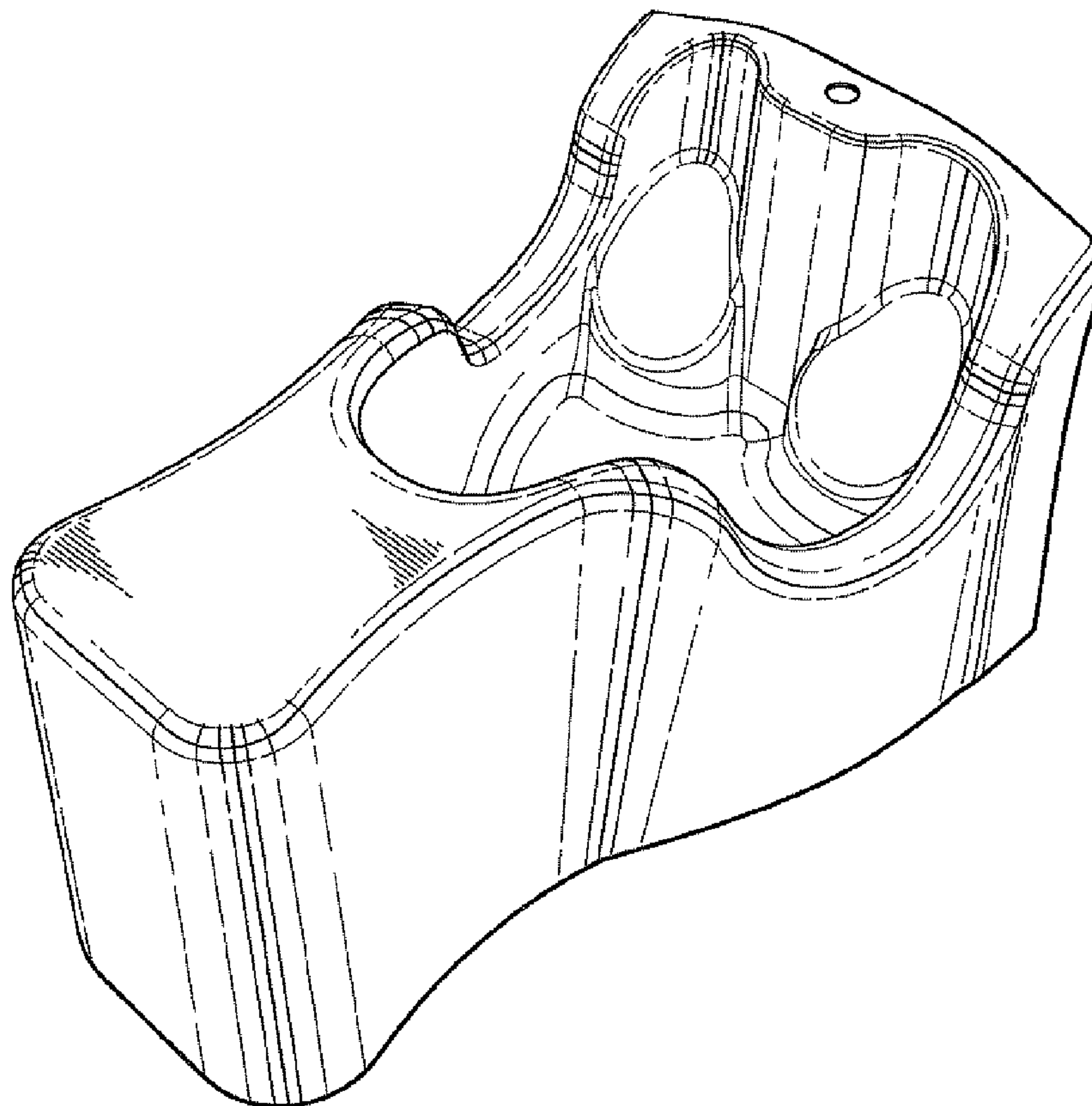
FIG. 5 is a left side elevational view thereof;

FIG. 6 is a right side elevational view thereof;

FIG. 7 is a rear elevational view thereof; and,

FIG. 8 is a front elevational view thereof.

1 Claim, 4 Drawing Sheets



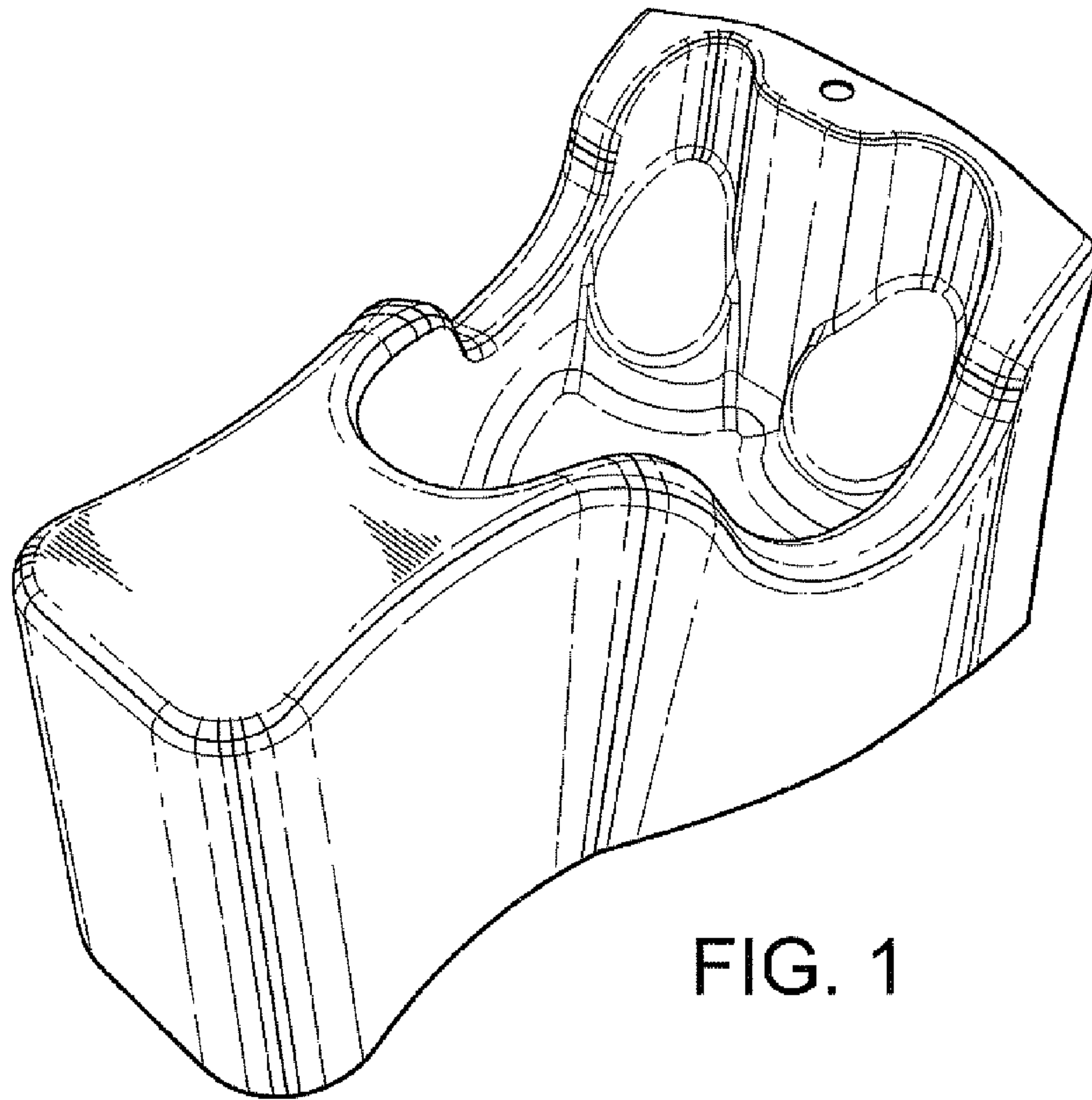


FIG. 1

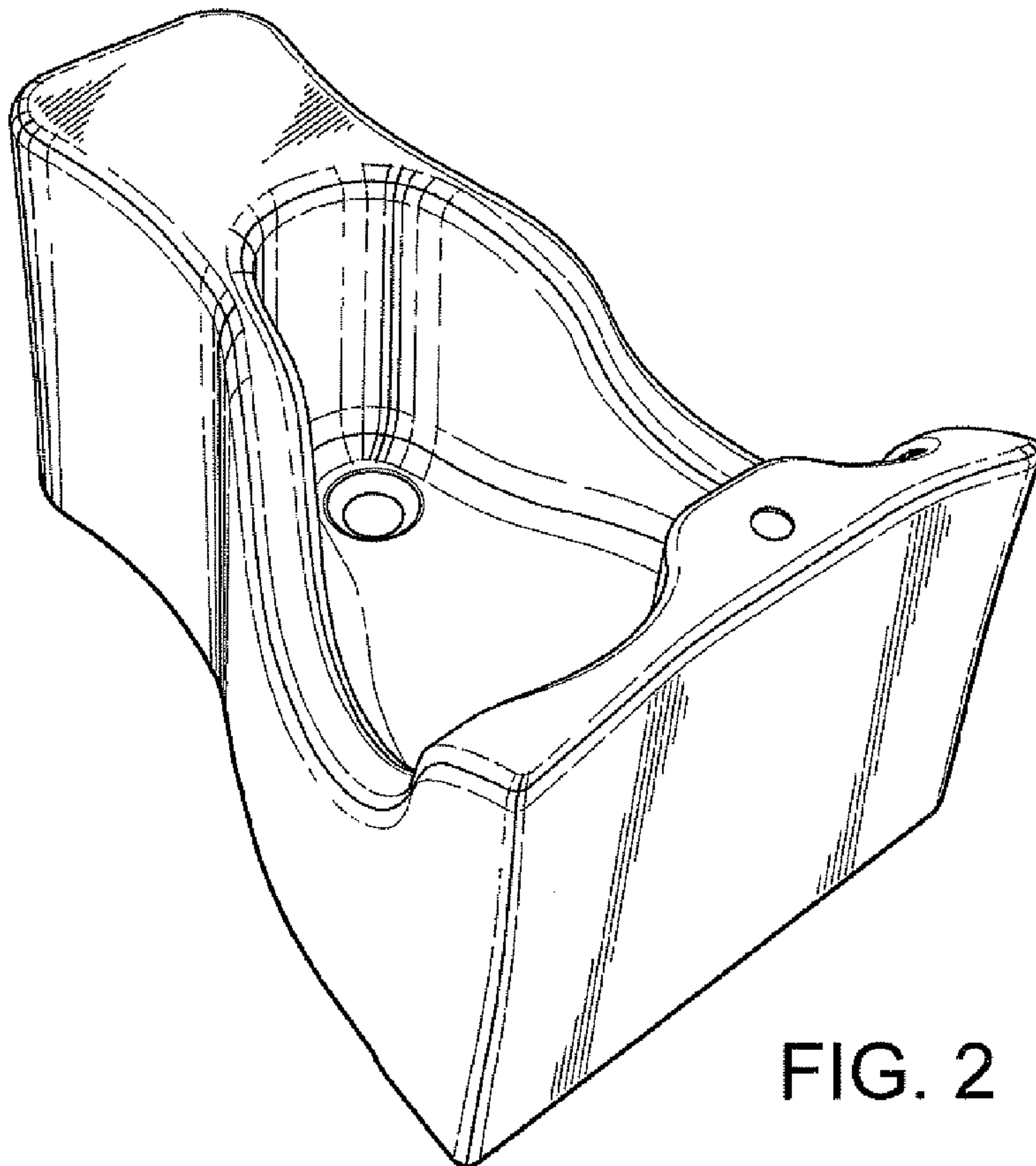


FIG. 2

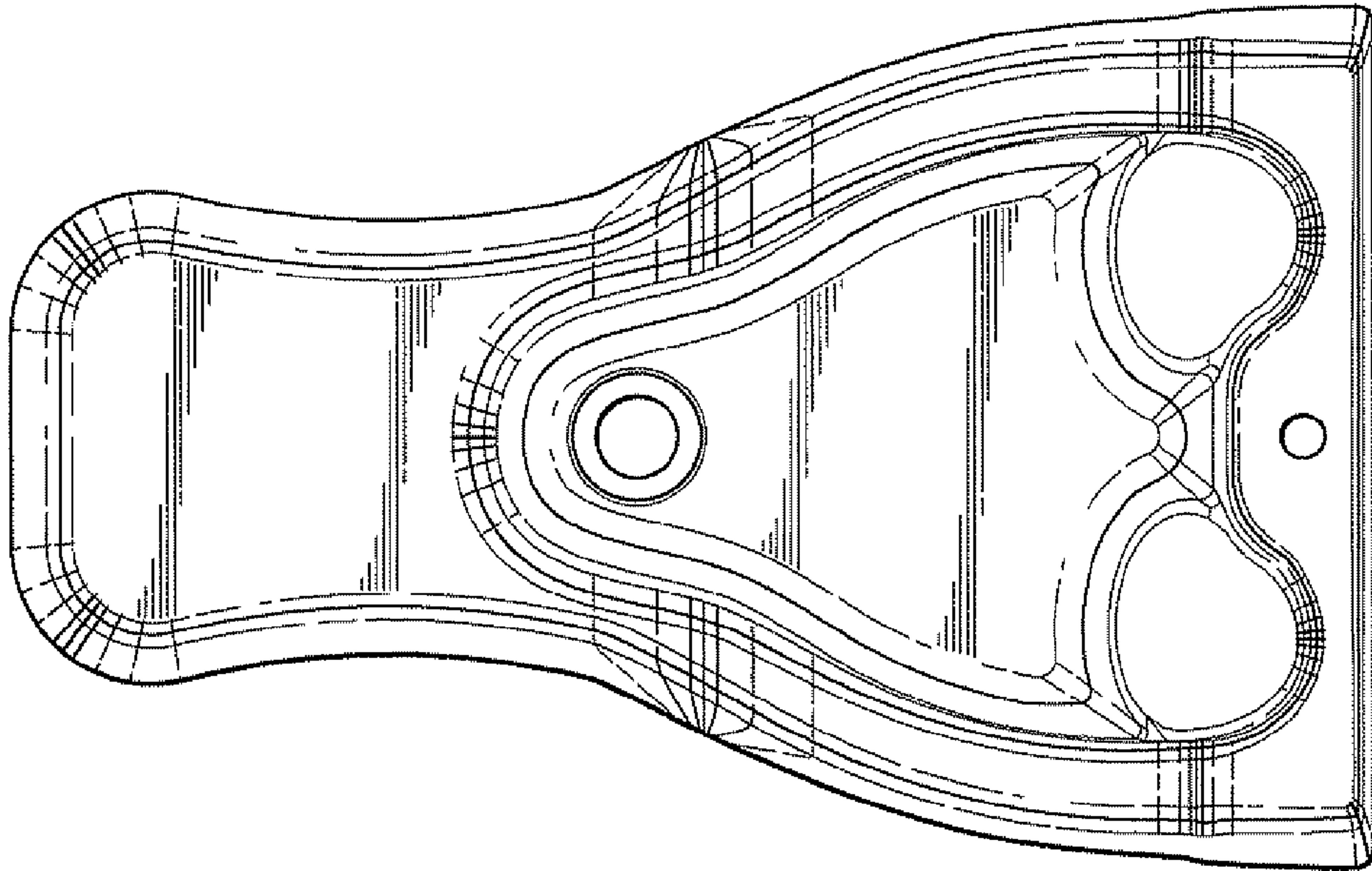


FIG. 3

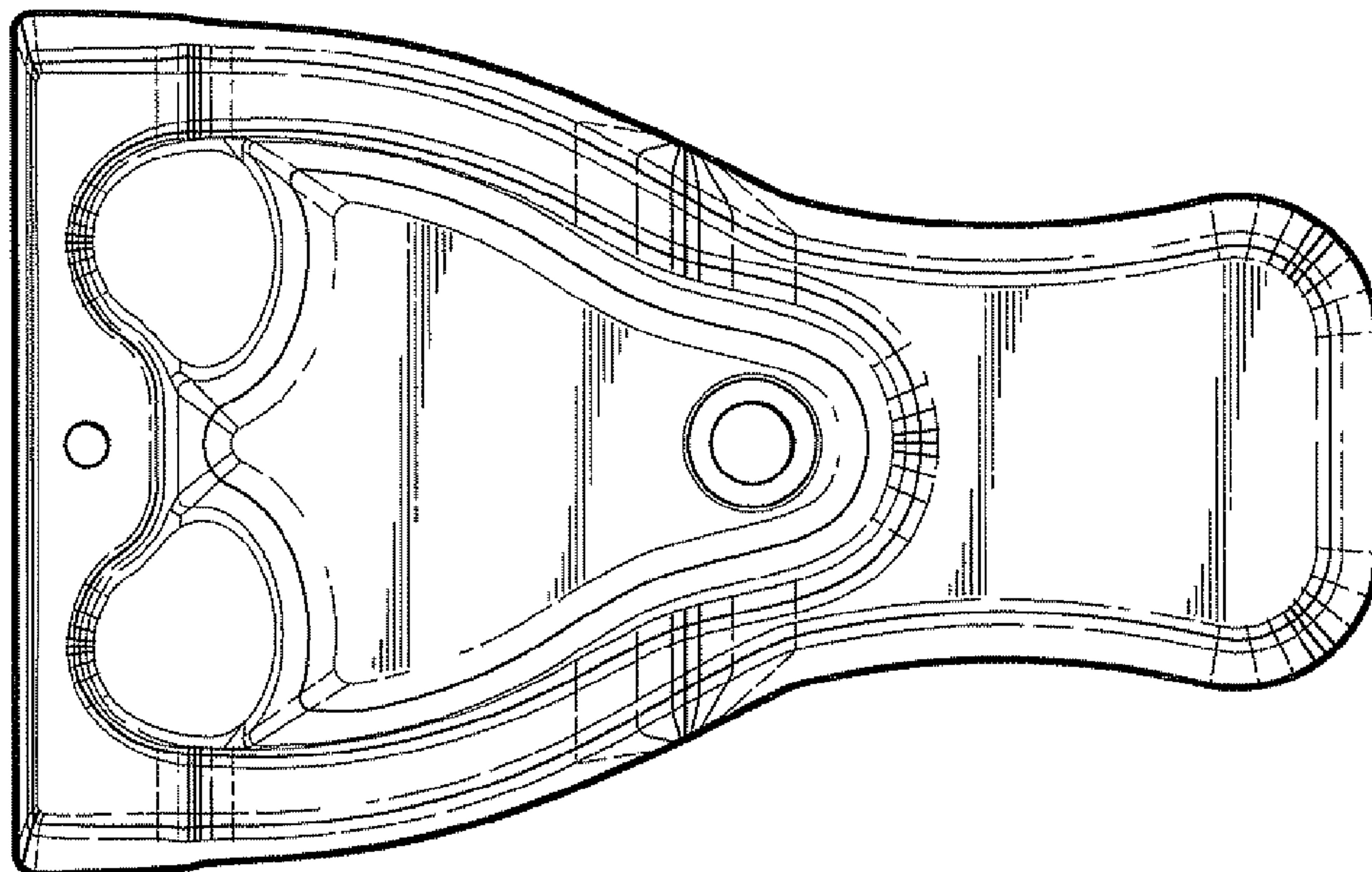


FIG. 4

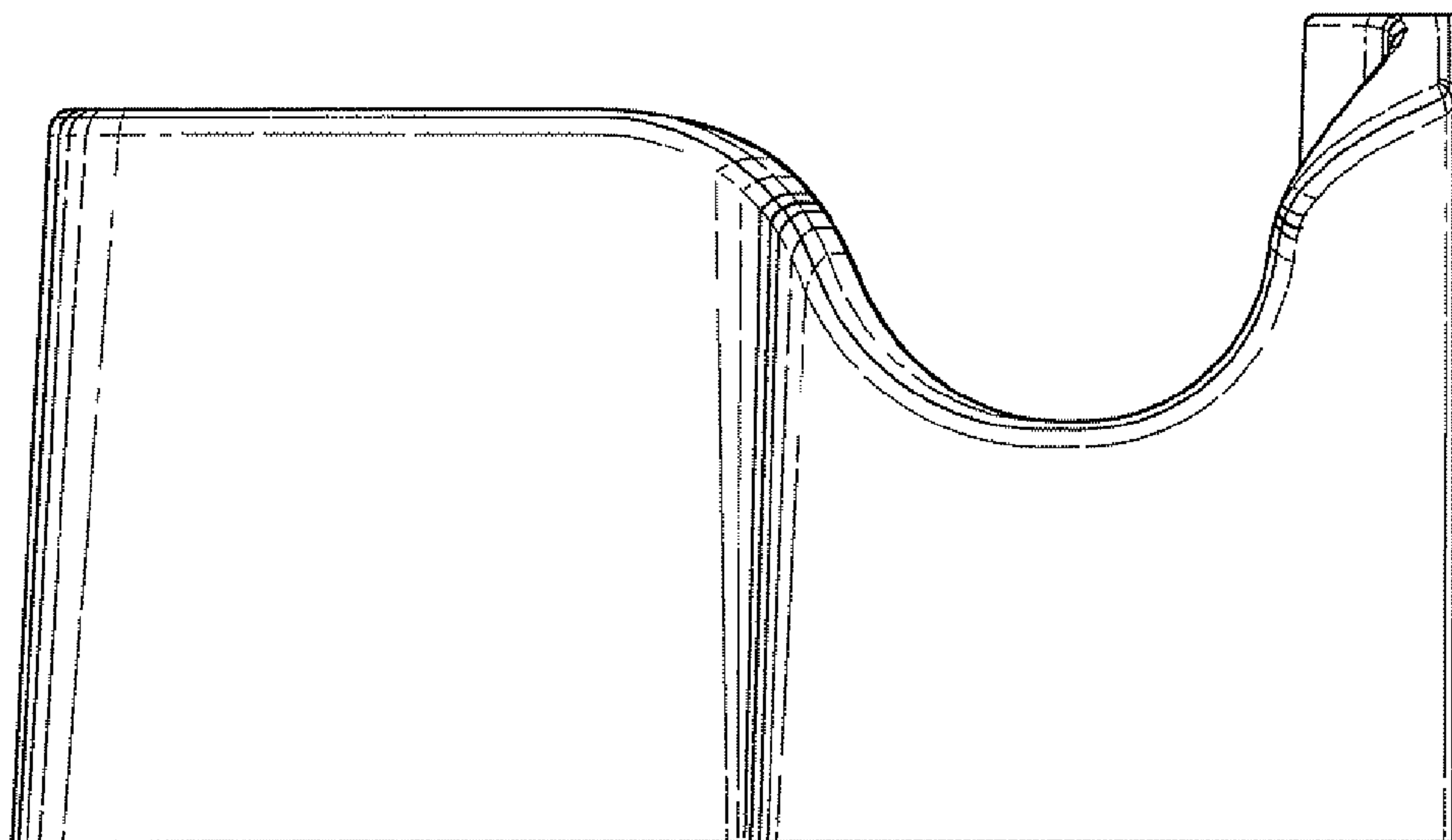


FIG. 5

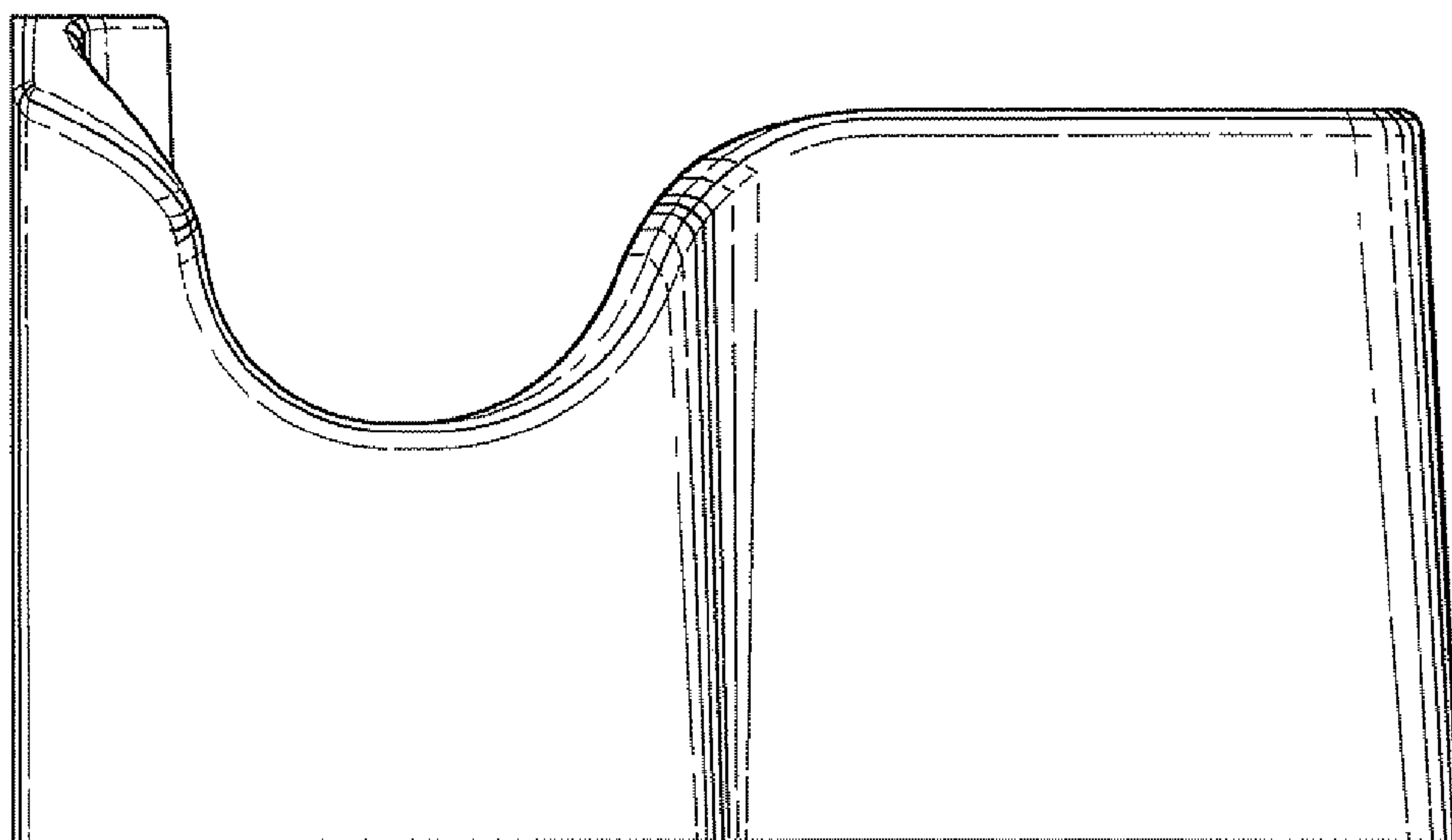


FIG. 6

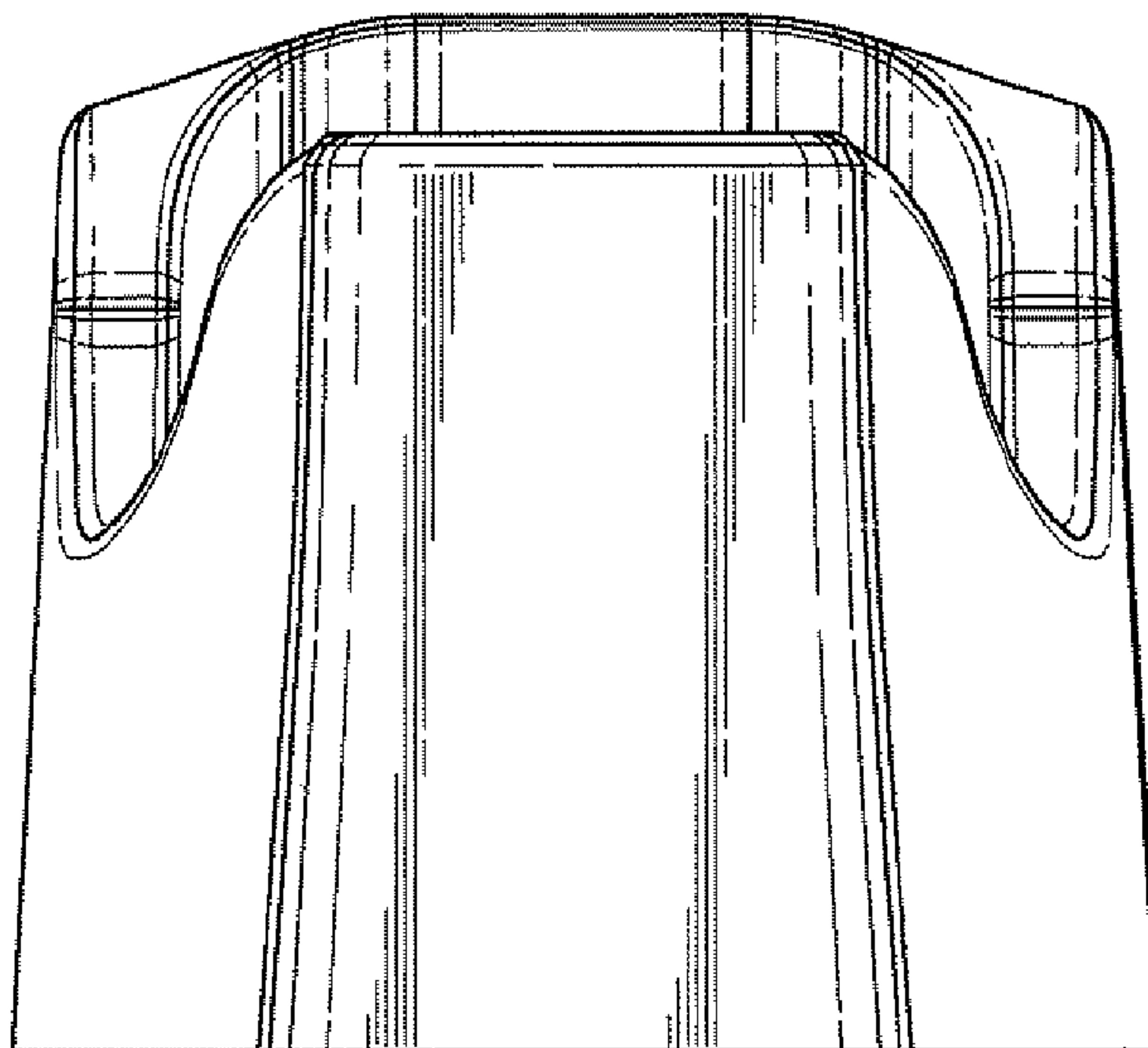


FIG. 7

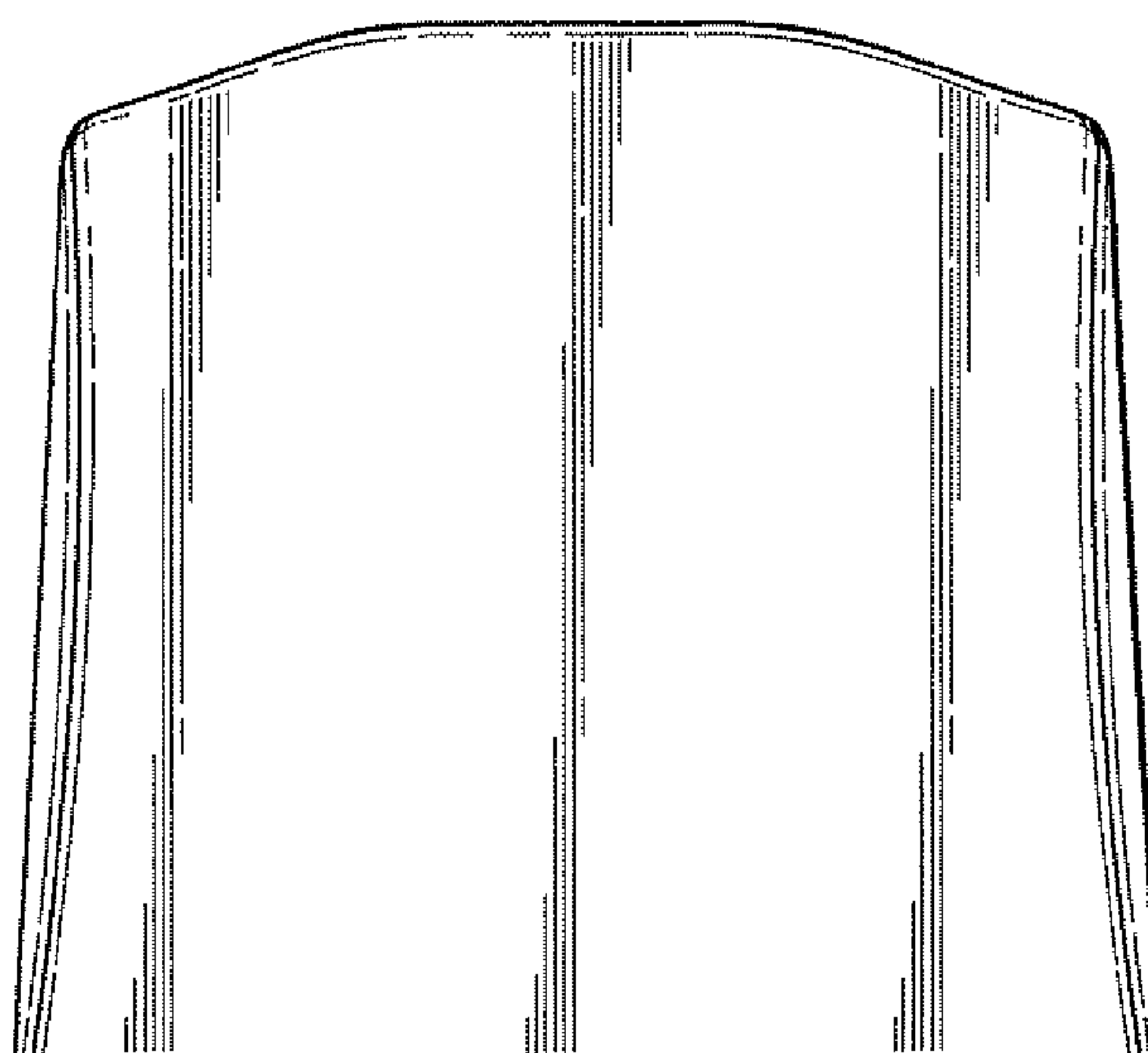


FIG. 8