



US00D583954S

(12) **United States Design Patent**
Genelli

(10) **Patent No.:** **US D583,954 S**

(45) **Date of Patent:** **** Dec. 30, 2008**

(54) **SPA TABLE FOR FACE AND BODY TREATMENTS AND MASSAGES**

(75) Inventor: **Angelo Silvio Genelli**, Azzanello (IT)

(73) Assignee: **Brusaferrri & C.S.R.L.**, Milan (IT)

(**) Term: **14 Years**

(21) Appl. No.: **29/306,393**

(22) Filed: **Apr. 9, 2008**

Related U.S. Application Data

(62) Division of application No. 29/295,531, filed on Oct. 1, 2007.

(51) **LOC (8) Cl.** **24-04**

(52) **U.S. Cl.** **D24/183**

(58) **Field of Classification Search** D24/183,
D24/188; 108/36, 115, 132; 5/111, 600,
5/607, 610-614, 618, 620, 622, 632; 601/24,
601/98, 134, 146; 606/240-242; D6/367;
219/218

See application file for complete search history.

(56) **References Cited**

U.S. PATENT DOCUMENTS

- 3,281,141 A * 10/1966 Smiley et al. 5/614
- D249,359 S * 9/1978 Stott et al. D24/183
- D260,172 S 8/1981 Kyle
- 4,333,638 A 6/1982 Gilotti
- 4,943,041 A 7/1990 Romein
- 5,009,170 A 4/1991 Spehar
- D344,802 S * 3/1994 Kuck et al. D24/183
- 5,324,911 A * 6/1994 Cranston et al. 219/218
- 5,335,676 A 8/1994 O'Brien
- D360,692 S 7/1995 Gambino
- 5,524,555 A 6/1996 Fanuzzi
- 5,676,062 A 10/1997 Lloyd
- D386,584 S 11/1997 Frei

- D392,741 S * 3/1998 Blanchard et al. D24/183
- D403,772 S 1/1999 Fanuzzi
- D405,284 S 2/1999 van den Heuvel
- 5,974,979 A 11/1999 Grady et al.
- 6,000,345 A 12/1999 Gillotti
- D420,225 S * 2/2000 Lamb et al. D6/367
- 6,076,472 A 6/2000 Lloyd
- D434,151 S 11/2000 Fanuzzi
- D436,176 S 1/2001 Fanuzzi
- 6,182,578 B1 2/2001 Fanuzzi
- D439,670 S 3/2001 Sommer
- D467,344 S 12/2002 van den Heuvel
- 6,684,426 B1 2/2004 Lin et al.
- 6,705,234 B1 3/2004 Miller et al.
- 6,938,287 B1 9/2005 Mahshie
- 7,066,547 B1 6/2006 Russell et al.
- D533,667 S 12/2006 Roleder
- D553,246 S * 10/2007 Banryu D24/183

* cited by examiner

Primary Examiner—Louis S Zarfaz

Assistant Examiner—Mark Cavanna

(74) *Attorney, Agent, or Firm*—Young & Thompson

(57) **CLAIM**

The ornamental design for a spa table for face and body treatments and massages, as shown and described.

DESCRIPTION

FIG. 1 is a top, front and side perspective view of a spa table for face and body treatments and massages, showing my new design;

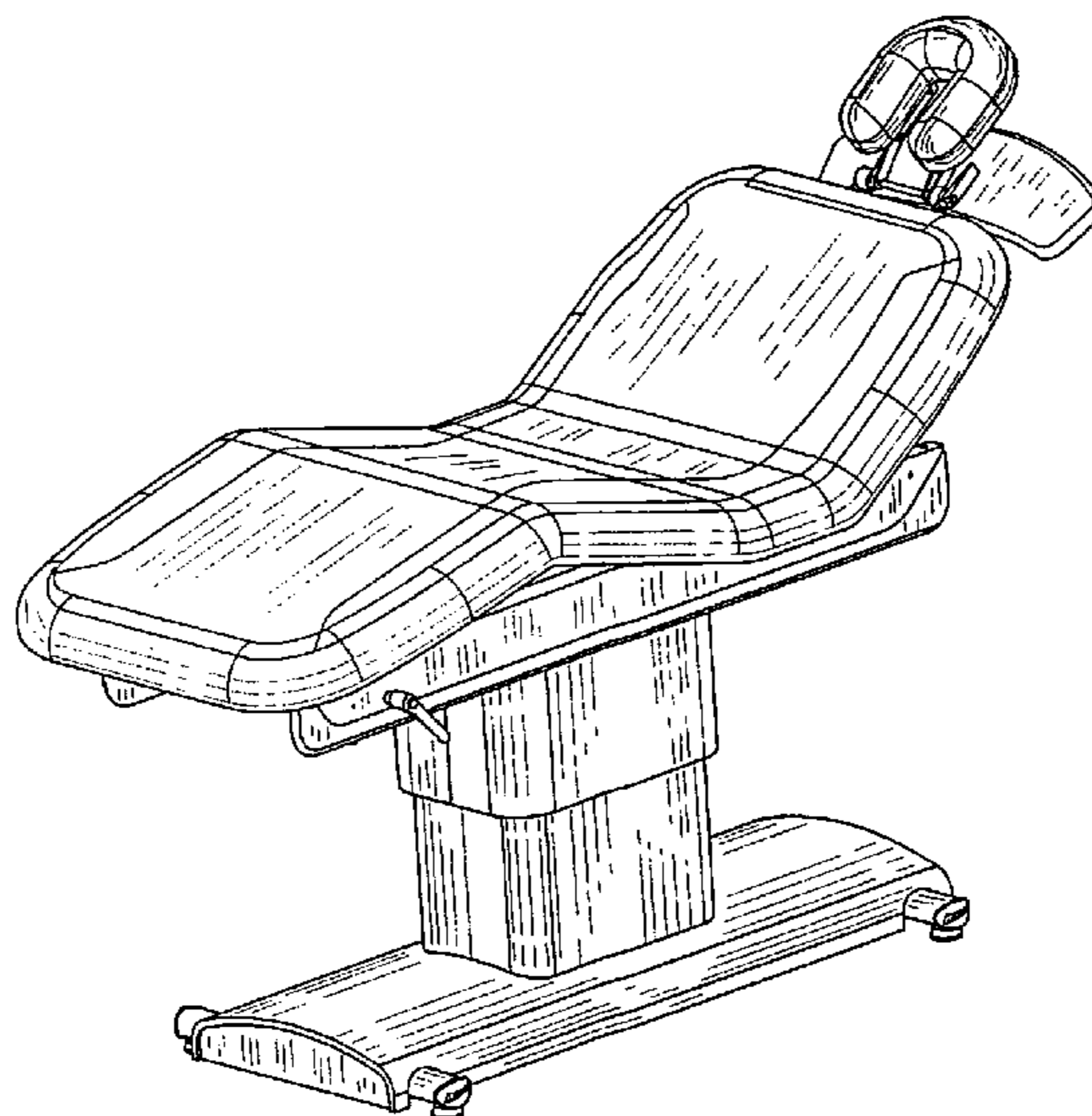
FIG. 2 is a view similar to FIG. 1 but with the parts in a different position;

FIG. 3 is a side elevational view thereof;

FIG. 4 is a top plan view thereof; and,

FIG. 5 is a side elevational view thereof from the left of FIG. 3.

1 Claim, 2 Drawing Sheets



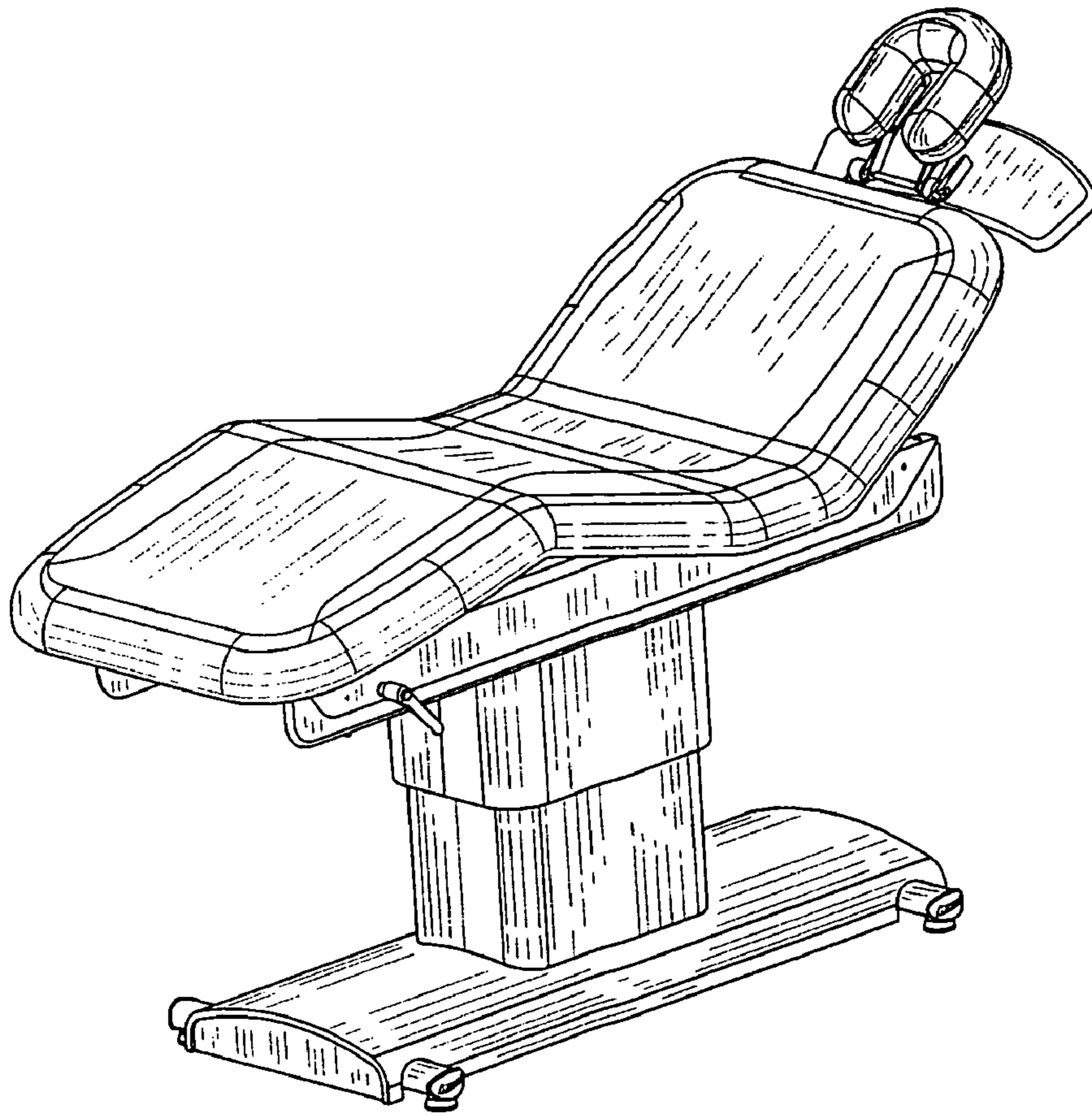


FIG. 1

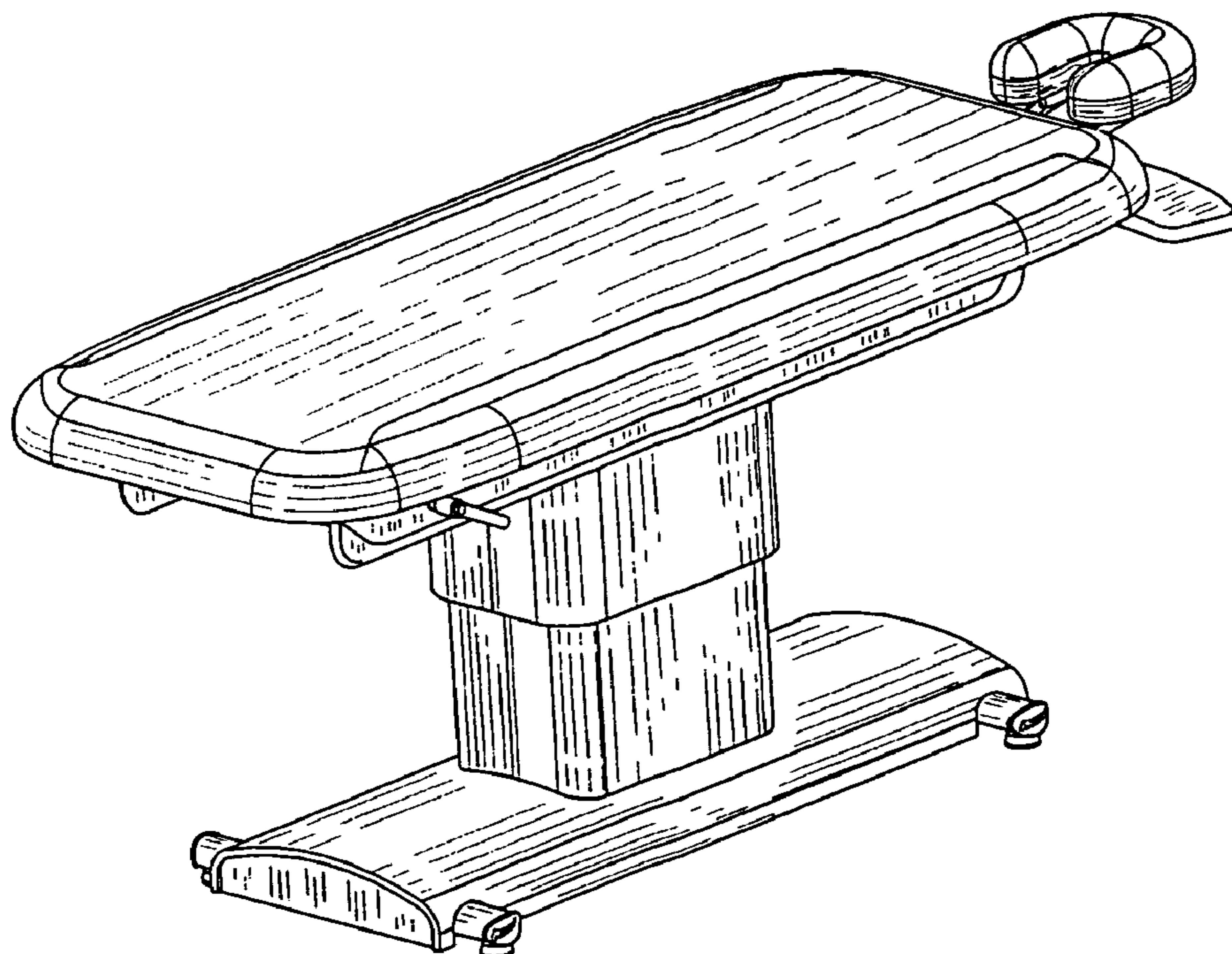


FIG. 2

FIG. 3

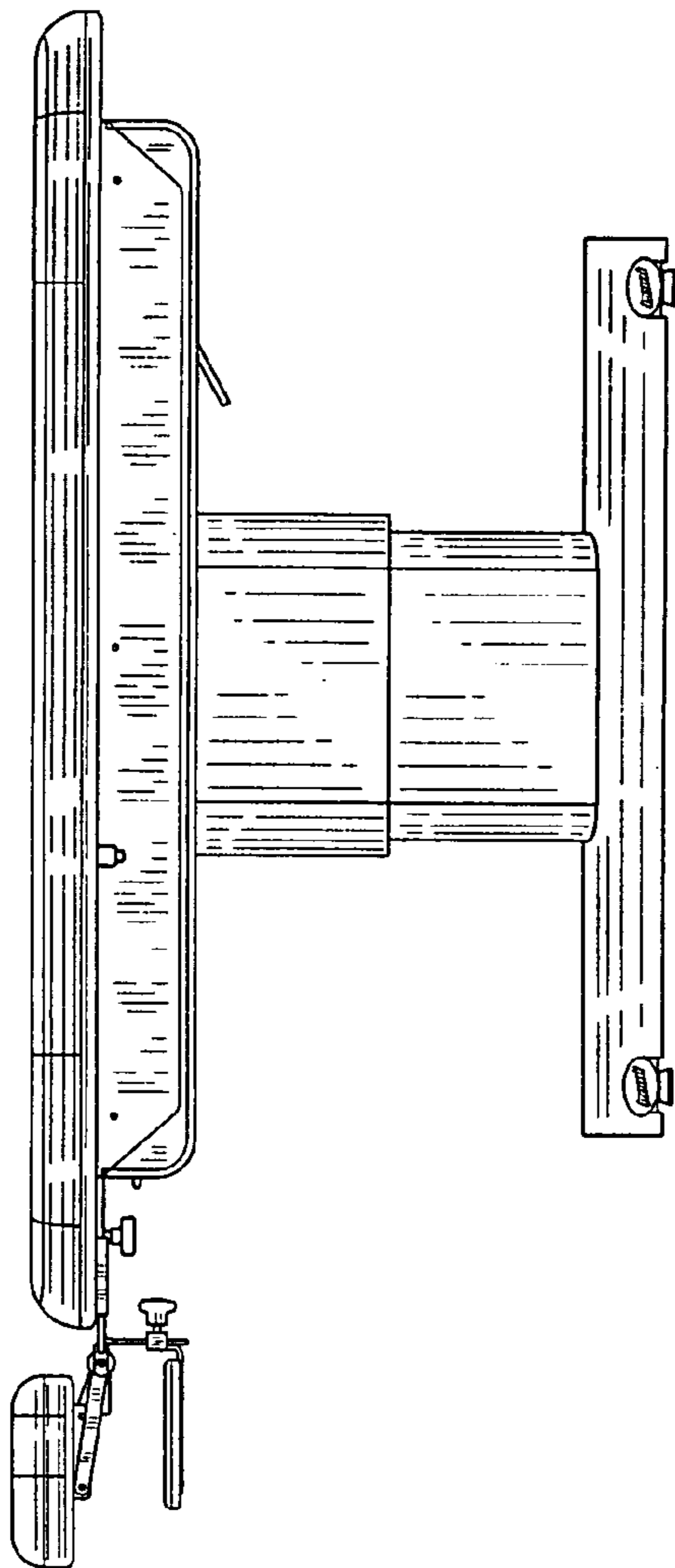


FIG. 4

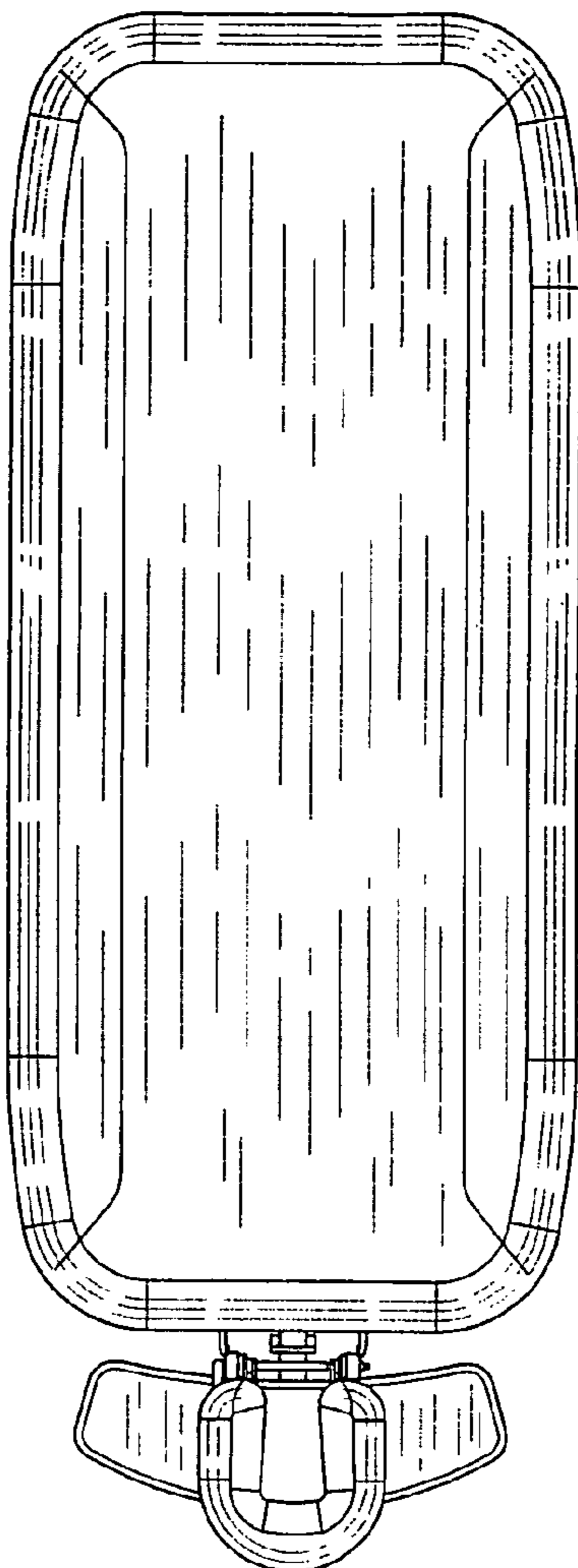


FIG. 5

