



US00D583952S

(12) **United States Design Patent**
Genelli

(10) **Patent No.:** **US D583,952 S**

(45) **Date of Patent:** **** Dec. 30, 2008**

(54) **SPA TABLE FOR FACE AND BODY TREATMENTS AND MESSAGES**

(75) Inventor: **Angelo Silvio Genelli, Azzanello (IT)**

(73) Assignee: **Brusaferrri & C.S.R.L., Milan (IT)**

(**) Term: **14 Years**

(21) Appl. No.: **29/295,531**

(22) Filed: **Oct. 1, 2007**

(30) **Foreign Application Priority Data**

Mar. 29, 2007 (EM) 000698634-0001

(51) **LOC (8) Cl.** **24-04**

(52) **U.S. Cl.** **D24/183**

(58) **Field of Classification Search** D24/183,
D24/188; 108/36, 115, 132; 5/111, 600,
5/607, 610-613, 618, 620, 622, 632; 601/24,
601/98, 134, 146; 606/240-242

See application file for complete search history.

(56) **References Cited**

U.S. PATENT DOCUMENTS

D260,172	S	*	8/1981	Kyle	D6/392
4,333,638	A	*	6/1982	Gillotti	5/613
4,943,041	A	*	7/1990	Romein	5/620
5,009,170	A	*	4/1991	Spehar	108/36
D344,802	S	*	3/1994	Kuck et al.	D24/183
5,335,676	A	*	8/1994	O'Brien	5/620
D360,692	S	*	7/1995	Gambino	D24/193
5,524,555	A	*	6/1996	Fanuzzi	108/132
5,676,062	A	*	10/1997	Lloyd	108/36
D386,584	S	*	11/1997	Frei	D24/183

D392,741	S	*	3/1998	Blanchard et al.	D24/183
D403,772	S	*	1/1999	Fanuzzi	D24/183
D405,284	S	*	2/1999	van den Heuvel	D6/367
5,974,979	A	*	11/1999	Grady et al.	108/36
6,000,345	A	*	12/1999	Gillotti	108/132
6,076,472	A	*	6/2000	Lloyd	108/36
D434,151	S	*	11/2000	Fanuzzi	D24/183
D436,176	S	*	1/2001	Fanuzzi	D24/183
6,182,578	B1	*	2/2001	Fanuzzi	108/36
D439,670	S	*	3/2001	Sommer	D24/183
D467,344	S	*	12/2002	van den Heuvel	D24/183
6,684,426	B1	*	2/2004	Lin et al.	5/620
6,705,234	B1	*	3/2004	Miller et al.	108/36
6,938,287	B1	*	9/2005	Mahshie	5/111
7,066,547	B1	*	6/2006	Russell et al.	108/115
D533,667	S	*	12/2006	Roleder	D24/183

* cited by examiner

Primary Examiner—Robert A. Delehanty

Assistant Examiner—Mark Cavanna

(74) *Attorney, Agent, or Firm*—Young & Thompson

(57) **CLAIM**

The ornamental design for a spa table for face and body treatments and massages, as shown.

DESCRIPTION

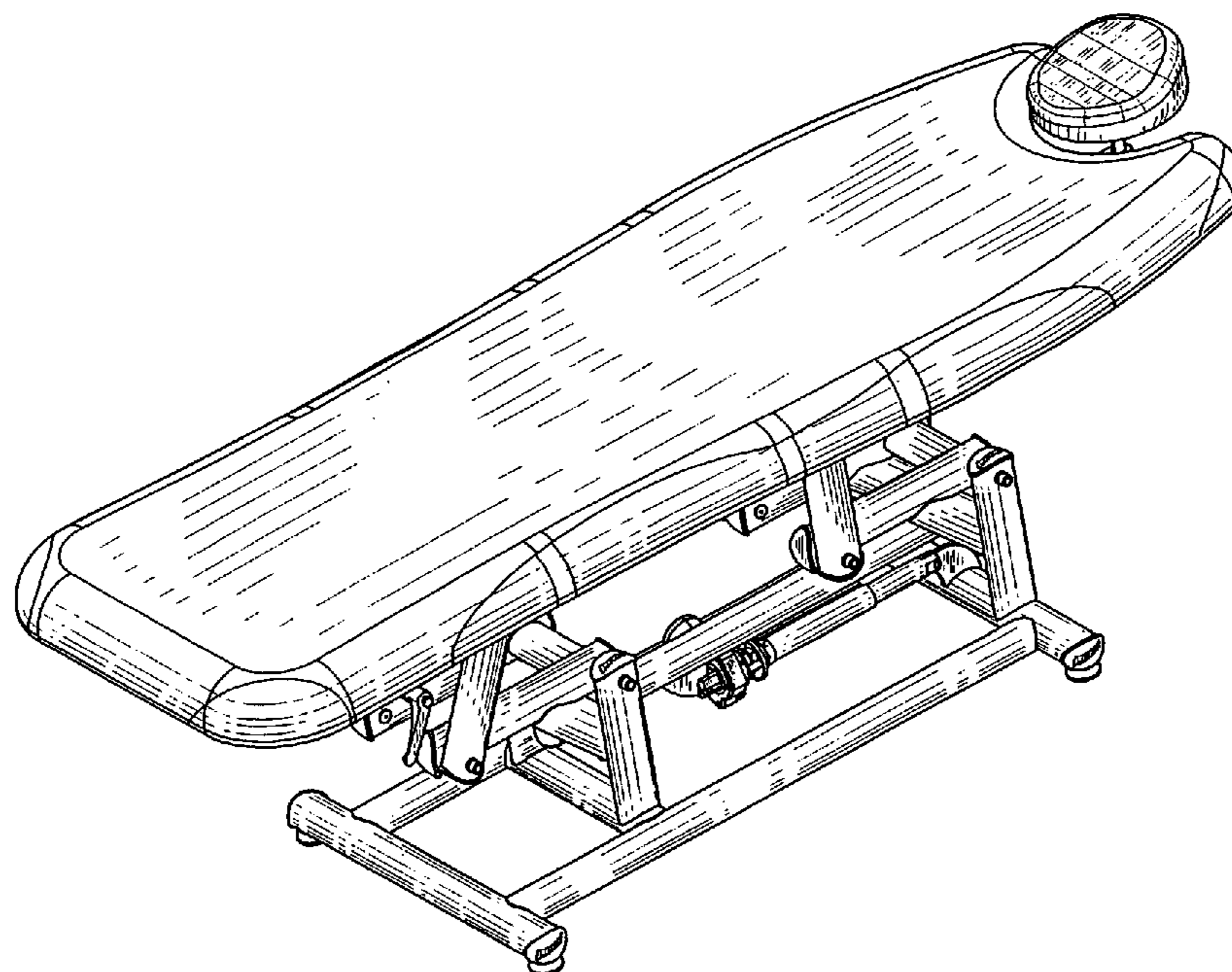
FIG. 1 is a top, front and side perspective view of a spa table for face and body treatments and massages, showing my new design;

FIG. 2 is a side elevational view thereof;

FIG. 3 is a top plan view thereof; and,

FIG. 4 is an end elevational view thereof from the right of FIG. 2.

1 Claim, 2 Drawing Sheets



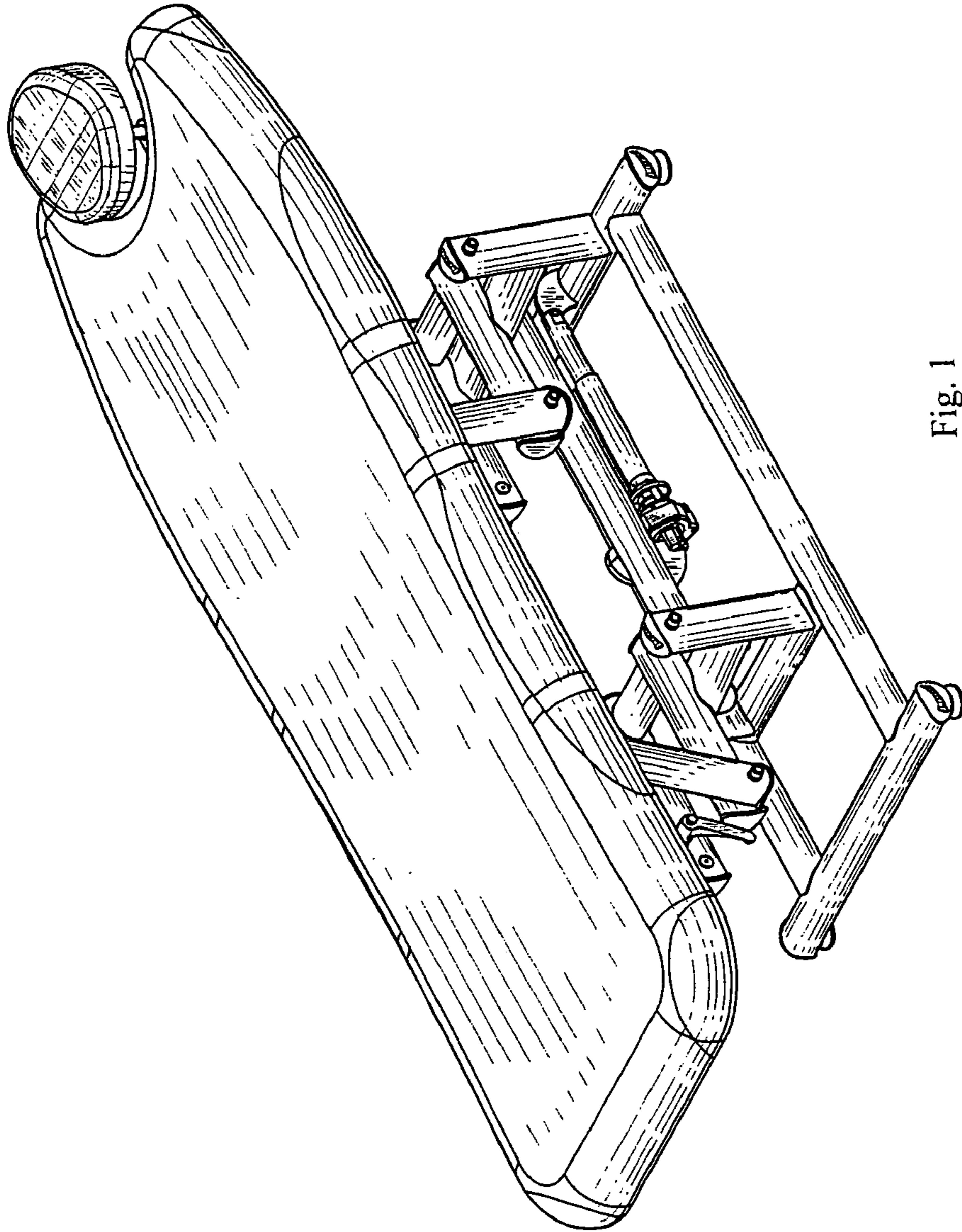


Fig. 1

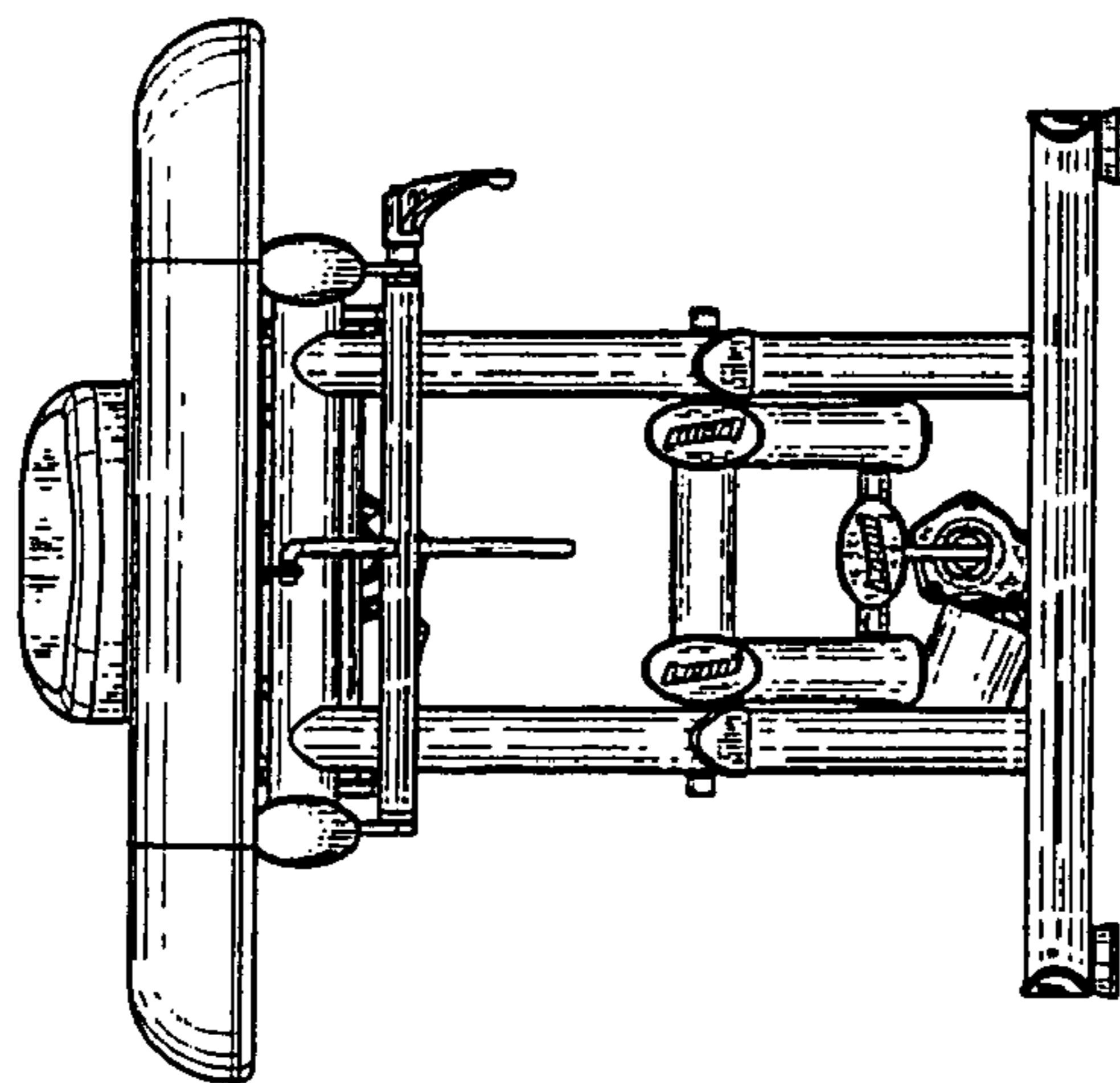


Fig. 4

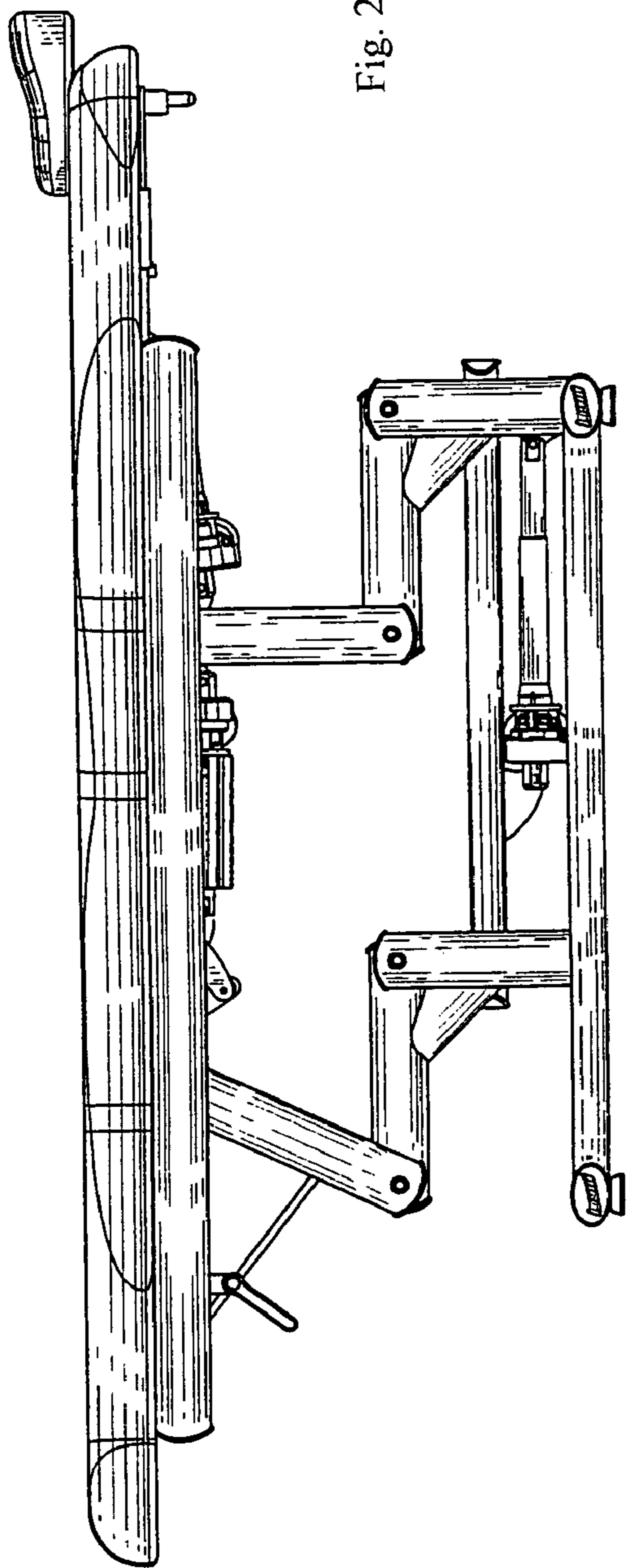


Fig. 2

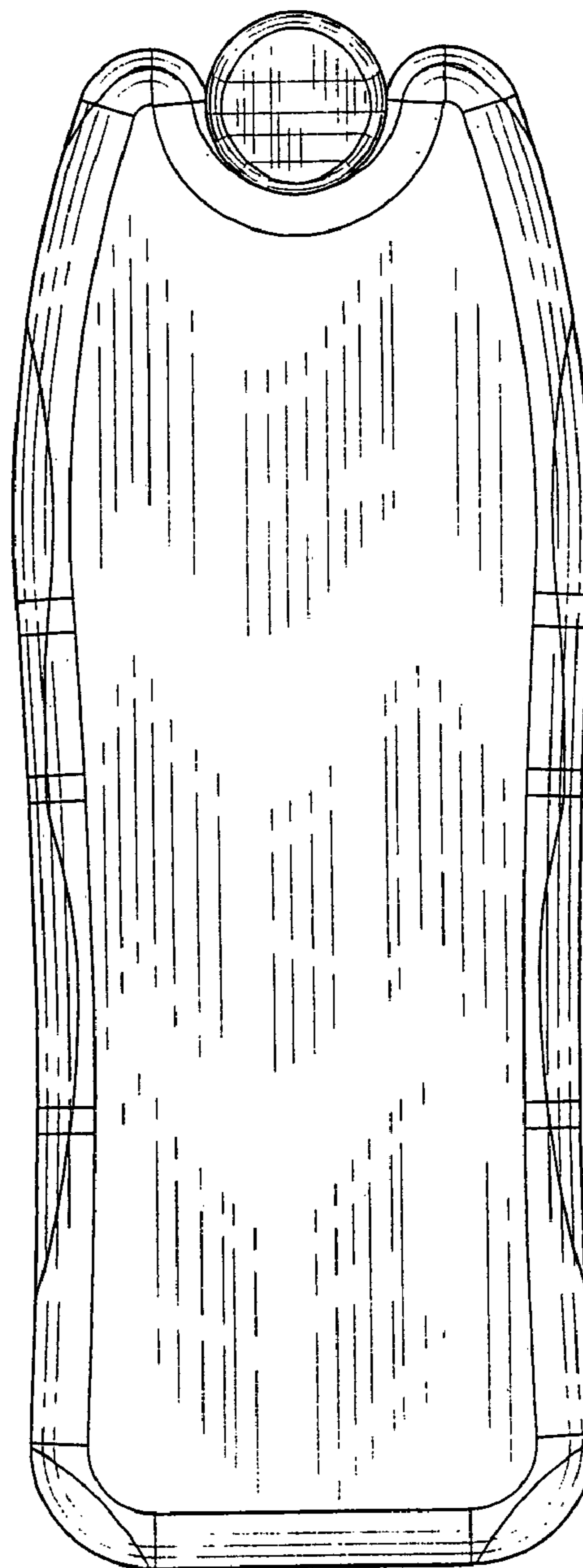


Fig. 3