



US00D583951S

(12) **United States Design Patent**
Lewis

(10) **Patent No.:** **US D583,951 S**
(45) **Date of Patent:** **** Dec. 30, 2008**

(54) **DENTAL EQUIPMENT UNIT WITH
ARTICULATED ARM AND TOOL HOLDER**

(75) Inventor: **David Lewis, Ishøj (DK)**

(73) Assignee: **Heka Dental ApS, Ishøj (DK)**

(**) Term: **14 Years**

(21) Appl. No.: **29/276,805**

(22) Filed: **Feb. 6, 2007**

(30) **Foreign Application Priority Data**

Aug. 11, 2006 (EM) 000579404

(51) **LOC (8) Cl.** **24-99**

(52) **U.S. Cl.** **D24/177**

(58) **Field of Classification Search** D24/152-154,
D24/177-179, 186; D12/421, 178, 316;
378/97; D6/500, 501; 280/304.1; 422/82.05
See application file for complete search history.

(56) **References Cited**

U.S. PATENT DOCUMENTS

- D202,618 S * 10/1965 Maurer D24/177
- D206,267 S * 11/1966 Maurer D24/178
- 3,346,957 A * 10/1967 Maurer et al. 433/79
- D209,139 S * 11/1967 Maurer D24/177
- D210,945 S * 5/1968 McGouirk D24/178
- 3,445,934 A * 5/1969 Harris 433/79

- 3,755,899 A * 9/1973 Betush 433/28
- D233,990 S * 12/1974 Booth D24/177
- D246,534 S * 11/1977 Buckley D24/177
- D292,526 S * 10/1987 Nakayama D24/172
- D336,381 S * 6/1993 Nordstrom D10/98
- D351,231 S * 10/1994 Austin et al. D24/177
- D458,378 S * 6/2002 Bevington D24/177

* cited by examiner

Primary Examiner—Charles A Rademaker

Assistant Examiner—Charles D Hanson

(74) *Attorney, Agent, or Firm*—William J. Sapone; Coleman Sudol Sapone P.C.

(57) **CLAIM**

The ornamental design for dental equipment unit with articulated arm and tool holder, as shown and described.

DESCRIPTION

FIG. 1 is a perspective view of dental equipment unit with articulated arm and tool holder showing my new design;

FIG. 2 is a front view thereof;

FIG. 3 is a right side view thereof;

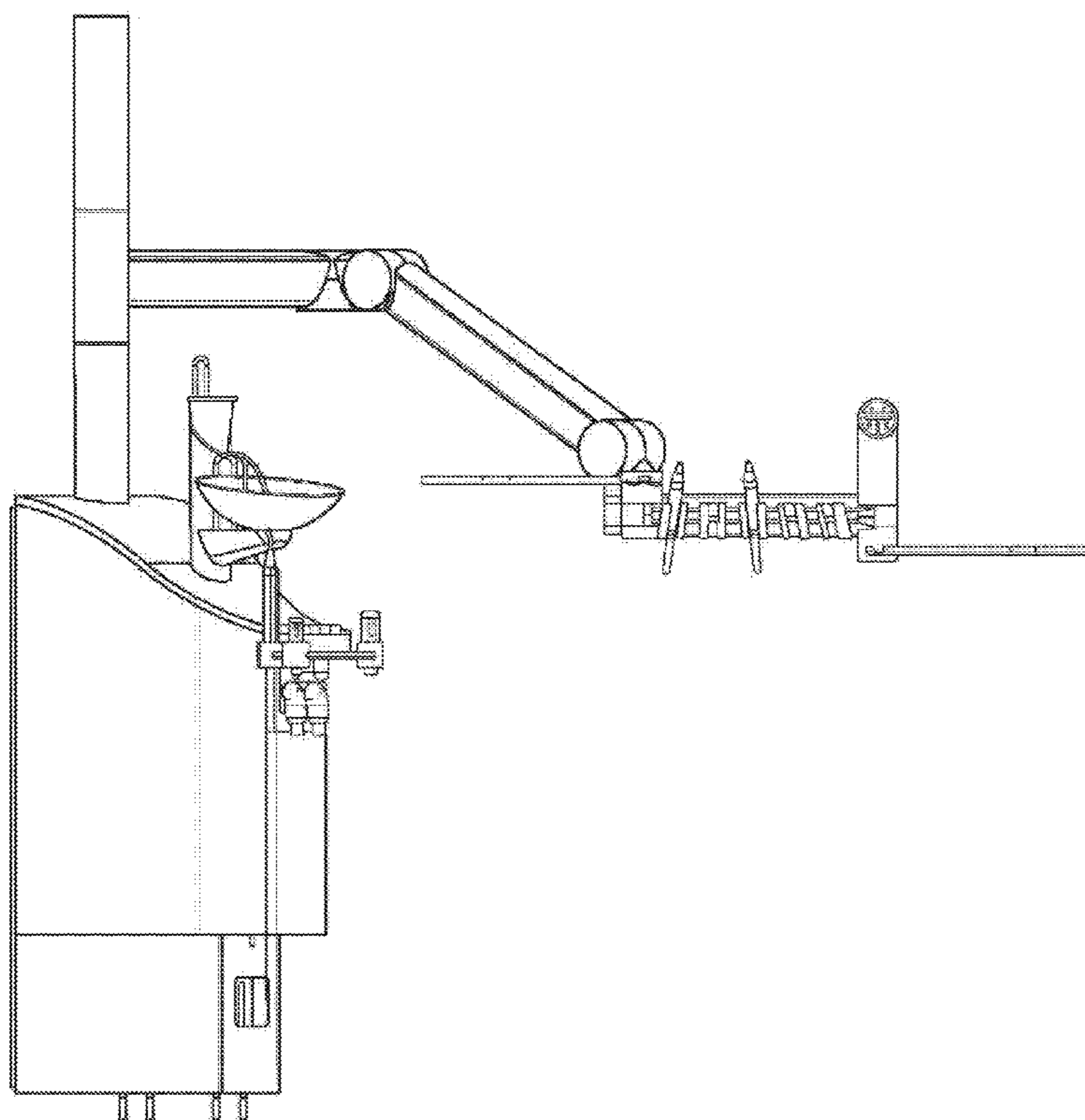
FIG. 4 is a left side view thereof;

FIG. 5 is a top view thereof;

FIG. 6 is a rear view thereof; and,

FIG. 7 is a bottom view thereof.

1 Claim, 7 Drawing Sheets



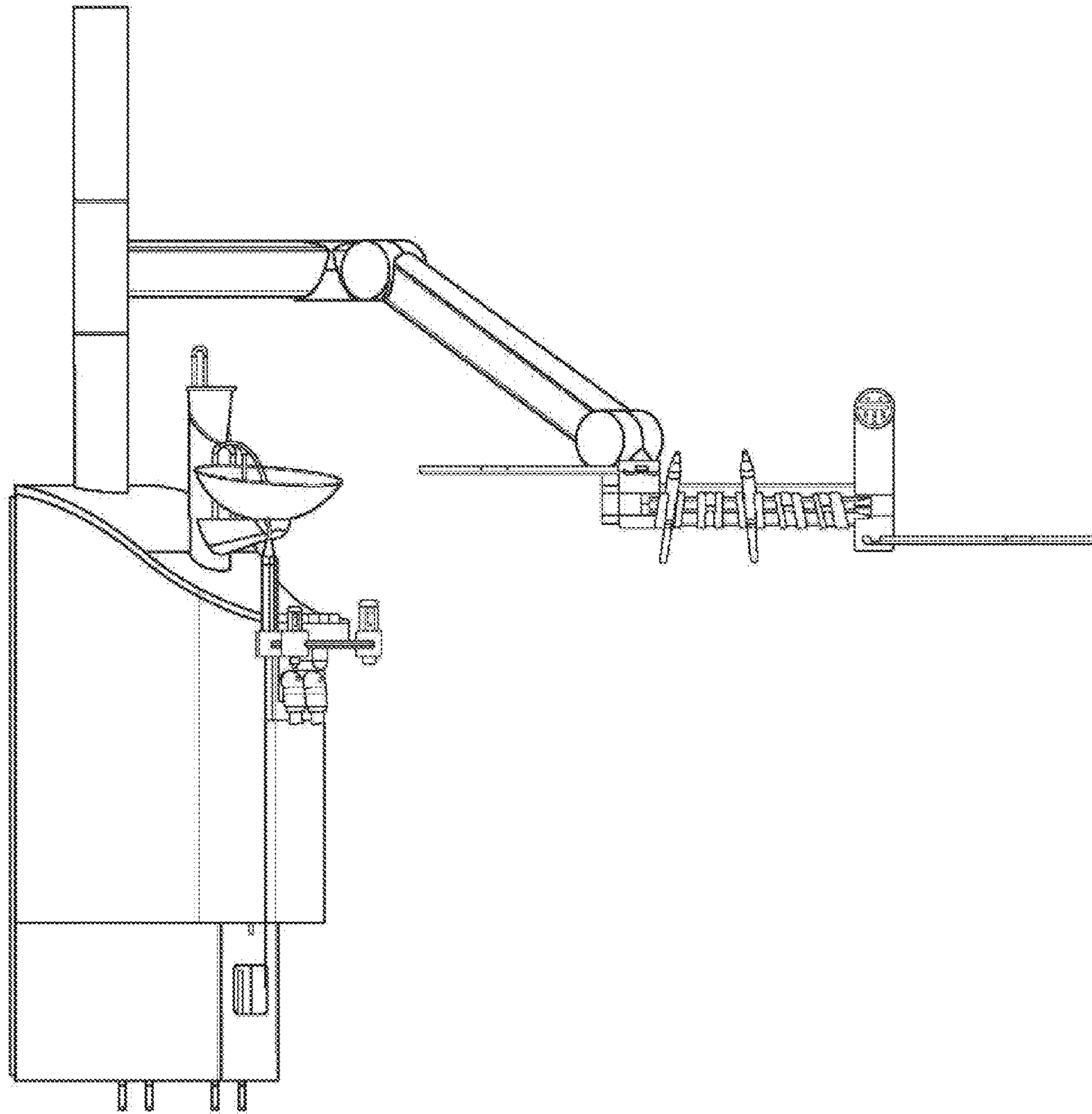


FIG. 1

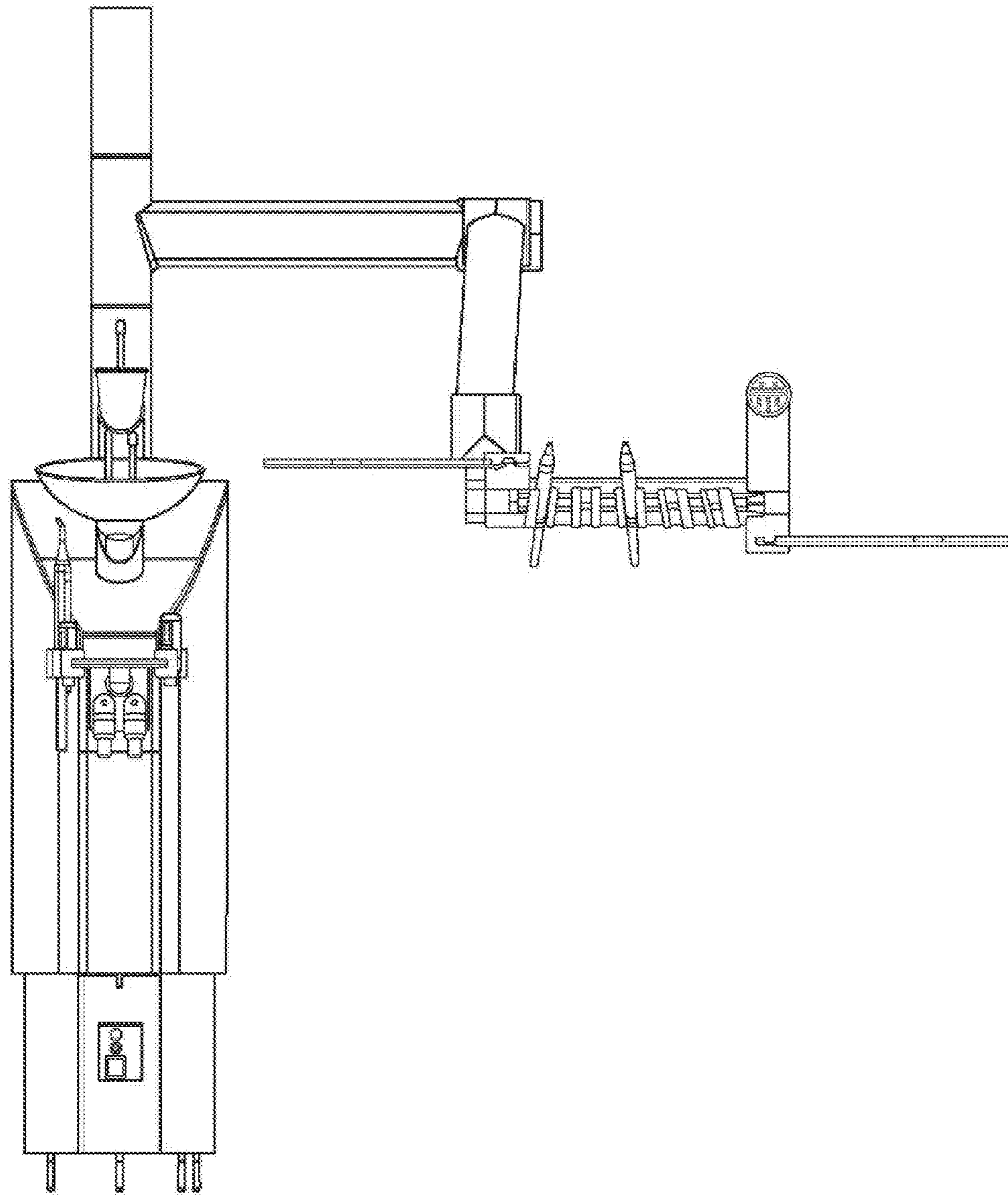


FIG. 2

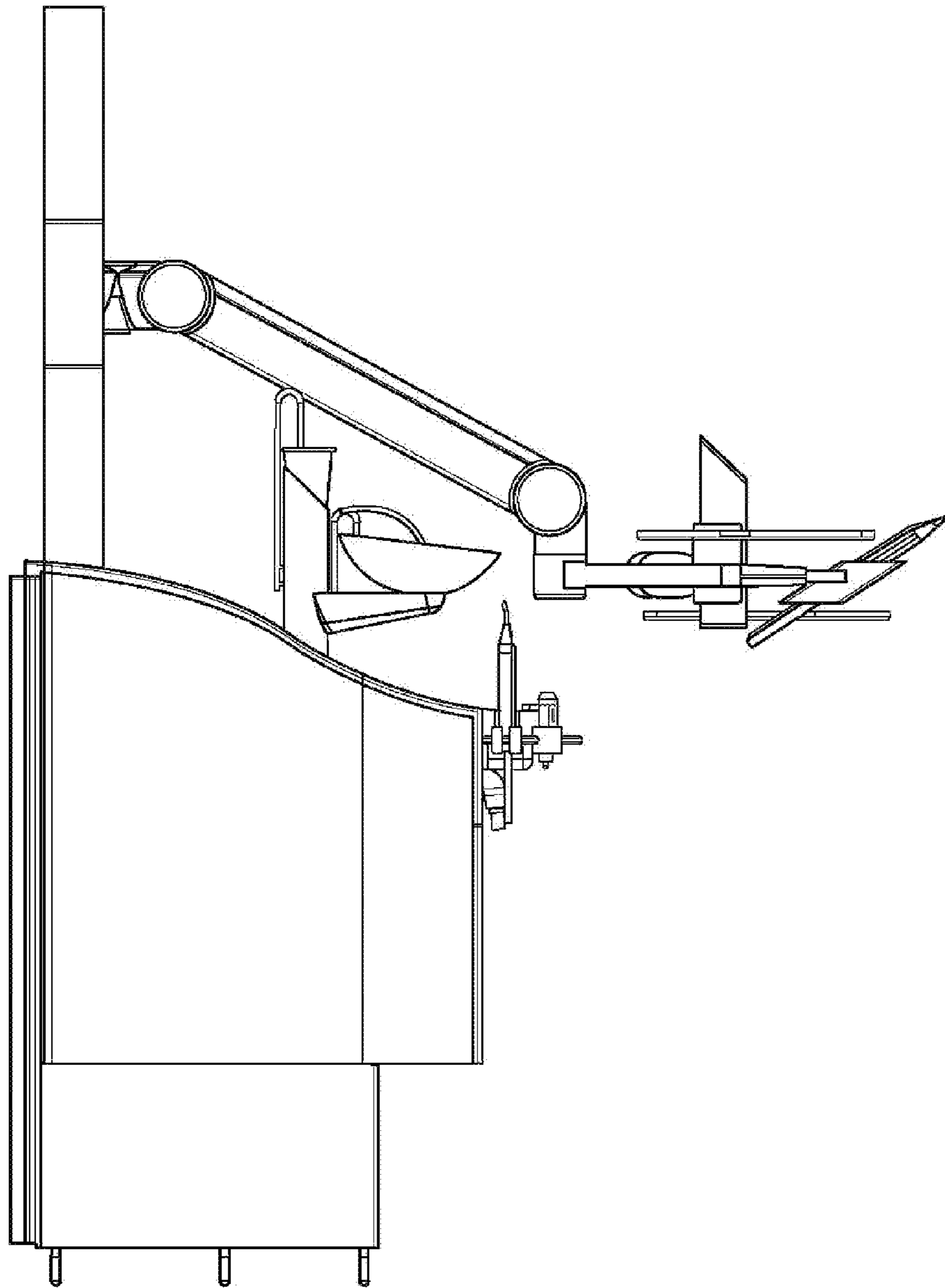


FIG. 3

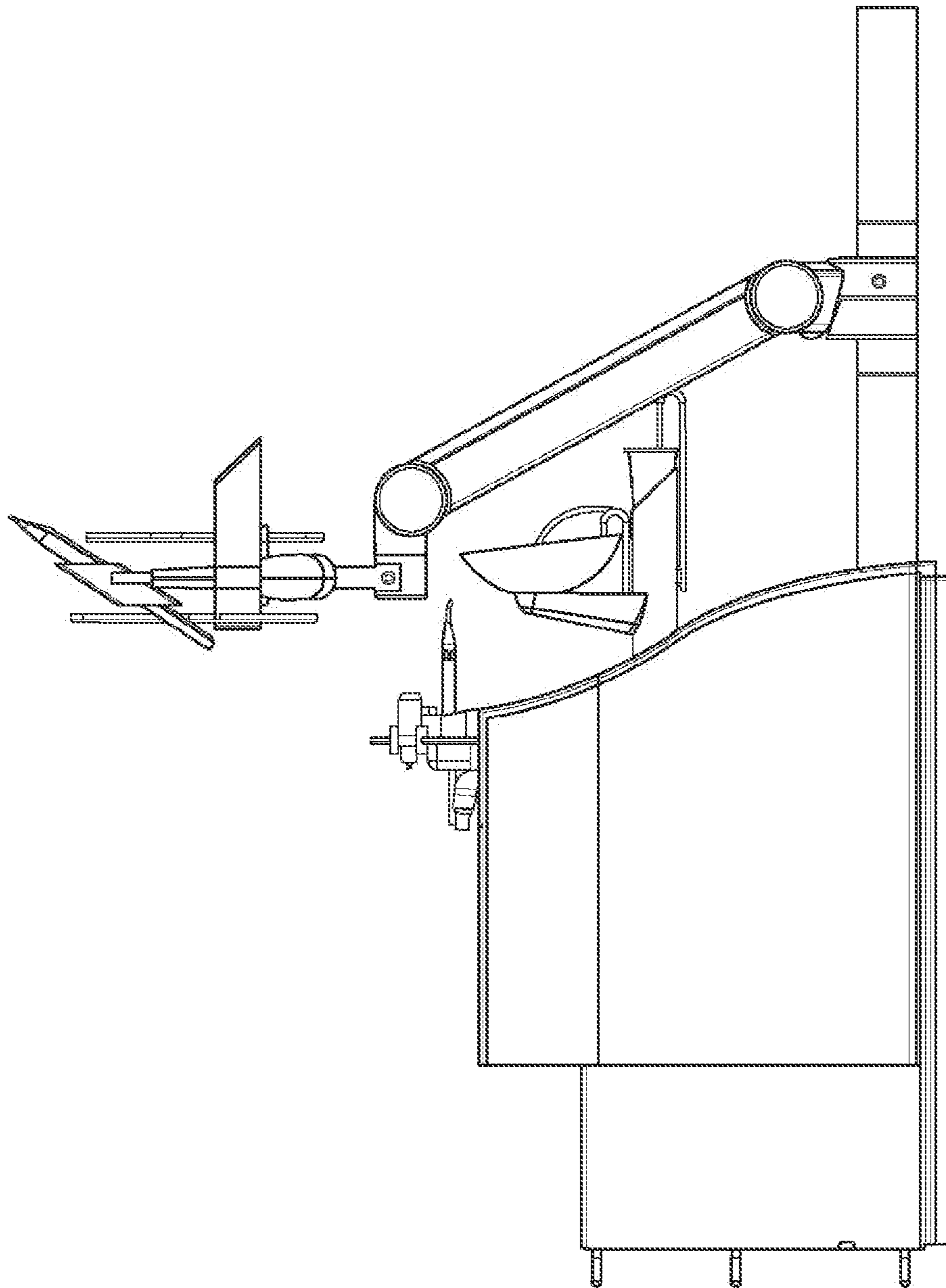


FIG. 4

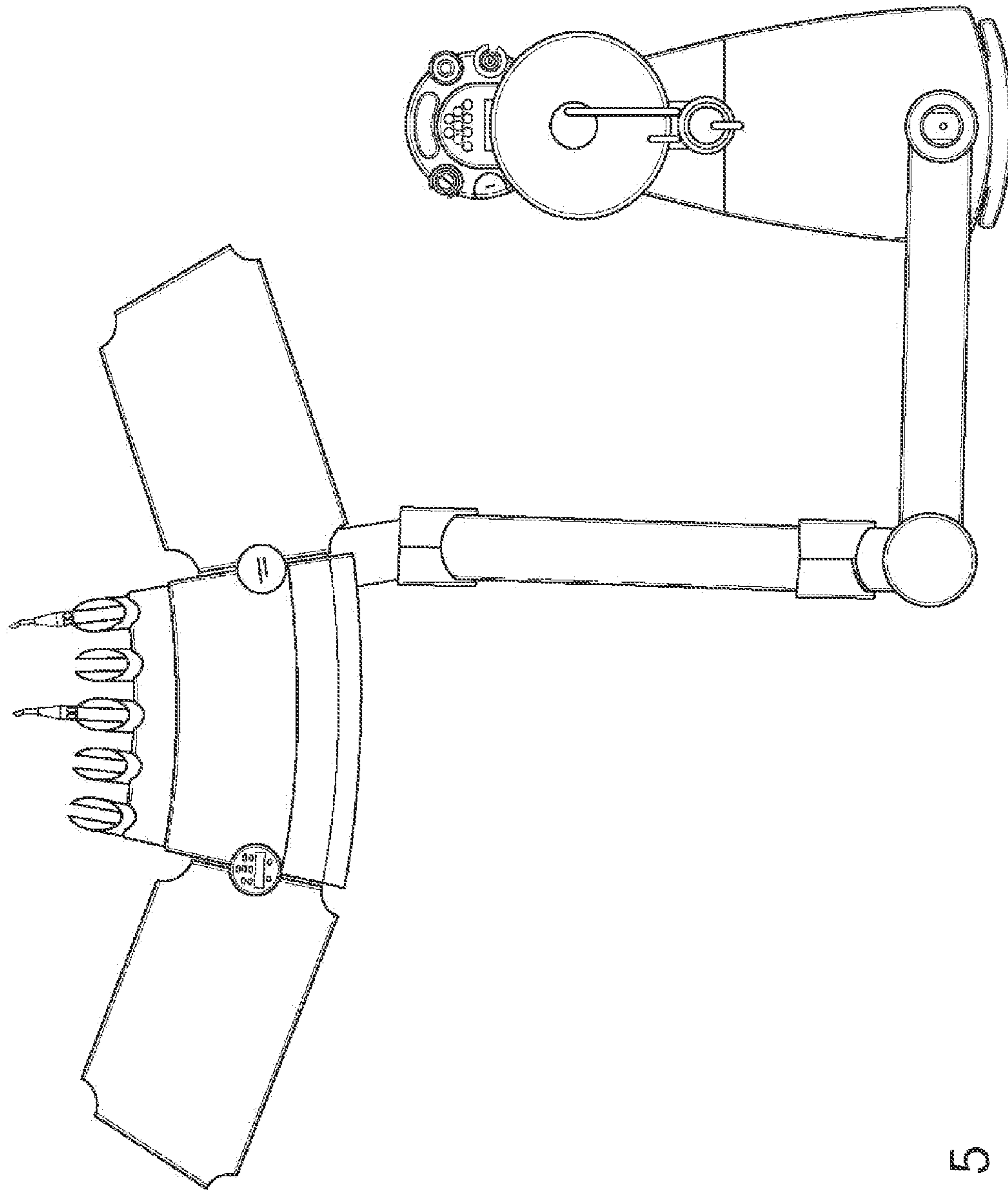


FIG. 5

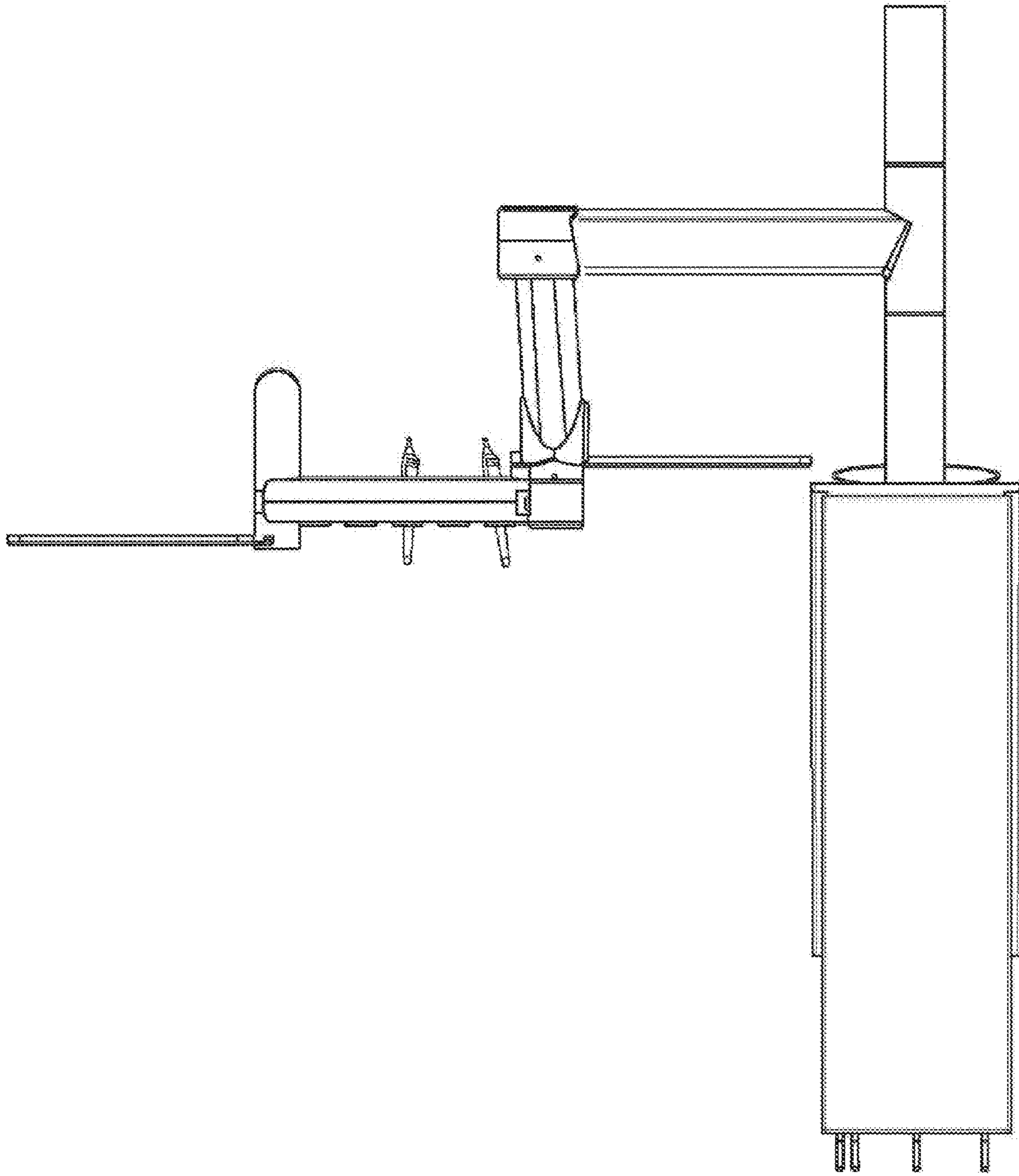


FIG. 6

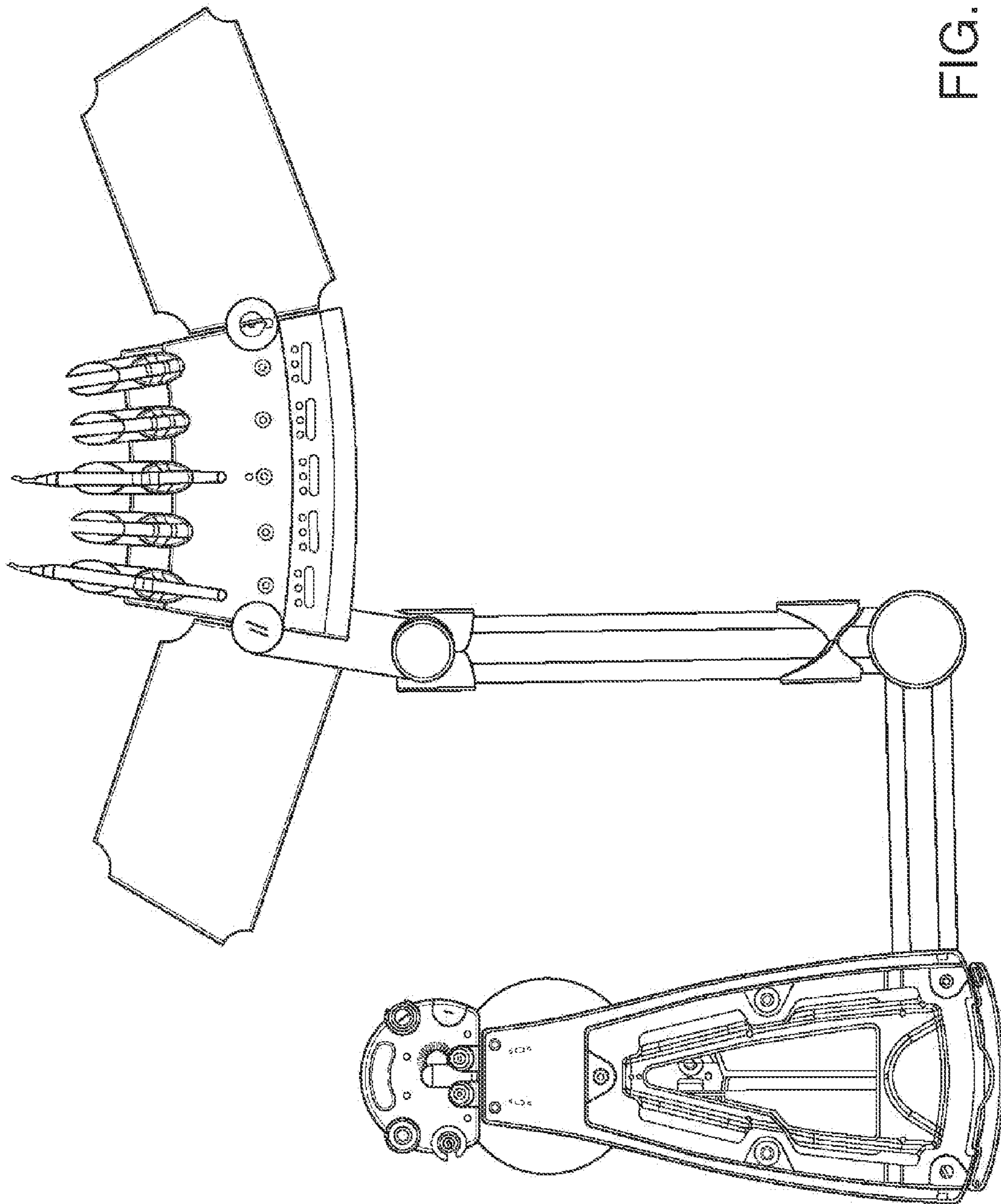


FIG. 7