



US00D583948S

(12) **United States Design Patent**  
**Hachimaru et al.**

(10) **Patent No.:** **US D583,948 S**  
(45) **Date of Patent:** **\*\* Dec. 30, 2008**

(54) **SPHYGMOMANOMETER**

(75) Inventors: **Izumi Hachimaru**, Kyoto (JP); **Tadashi Koike**, Kyoto (JP); **Yukiko Mitsunami**, Otsu (JP); **Yosuke Fujii**, Takatsuki (JP); **So Noguchi**, Hirakata (JP); **Shuji Tsuruta**, Ibaraki (JP); **Dong-Mei Wang**, Dalian Liaoning (CN); **Zhen-Hong Qu**, Dalian Liaoning (CN); **Hua-Li Zhao**, Dalian Liaoning (CN); **Gang Yin**, Dalian Liaoning (CN); **Kai Zhong**, Dalian Liaoning (CN)

(73) Assignee: **Omron Healthcare Co., Ltd**, Kyoto (JP)

(\*\*) Term: **14 Years**

(21) Appl. No.: **29/279,394**

(22) Filed: **Apr. 30, 2007**

(30) **Foreign Application Priority Data**

Oct. 31, 2006 (JP) ..... 2006-029758

(51) **LOC (8) Cl.** ..... **24-02**

(52) **U.S. Cl.** ..... **D24/165**

(58) **Field of Classification Search** ..... D24/165-169,  
D24/186; D10/98; 600/479-480, 485, 490,  
600/493-495, 499, 500

See application file for complete search history.

(56) **References Cited**

**U.S. PATENT DOCUMENTS**

- D398,999 S \* 9/1998 Maeda et al. .... D24/165
- D407,492 S \* 3/1999 Lubs et al. .... D24/165
- D473,945 S \* 4/2003 Nakanishi et al.
- D537,944 S \* 3/2007 Eda et al. .... D24/165
- D548,839 S \* 8/2007 Kobayakawa et al. .... D24/165
- D574,496 S \* 8/2008 Kitamura et al. .... D24/165

**FOREIGN PATENT DOCUMENTS**

EP D000455654-0001 12/2005

**OTHER PUBLICATIONS**

Office Action for corresponding Japanese application No. D2006-029758 dated Aug. 28, 2007.

Russian Office Action dated Apr. 1, 2008 in corresponding Russian Patent Application No. 2007501363, with English translation.

\* cited by examiner

*Primary Examiner*—Louis S Zarfaz

*Assistant Examiner*—Anhdao Doan

(74) *Attorney, Agent, or Firm*—Harness, Dickey & Pierce PLC

(57) **CLAIM**

The ornamental design for a sphygmomanometer, as shown and described.

**DESCRIPTION**

FIG. 1 is a perspective view of a sphygmomanometer showing our new design;

FIG. 2 is a front elevational view thereof;

FIG. 3 is a rear elevational view thereof;

FIG. 4 is a top plan view thereof;

FIG. 5 is a bottom plan view thereof;

FIG. 6 is a right side elevational view thereof;

FIG. 7 is a left side elevational view thereof; and,

FIG. 8 is a top plan view according to reference arrow 8 of FIG. 6 thereof.

The alternating dot and dash lines immediately adjacent the shaded areas represent the bounds of the claim, and the evenly spaced broken lines are included for the purpose of illustrating portions of the sphygmomanometer that form no part of the claimed design. None of the broken lines form a part of the claimed design.

**1 Claim, 6 Drawing Sheets**

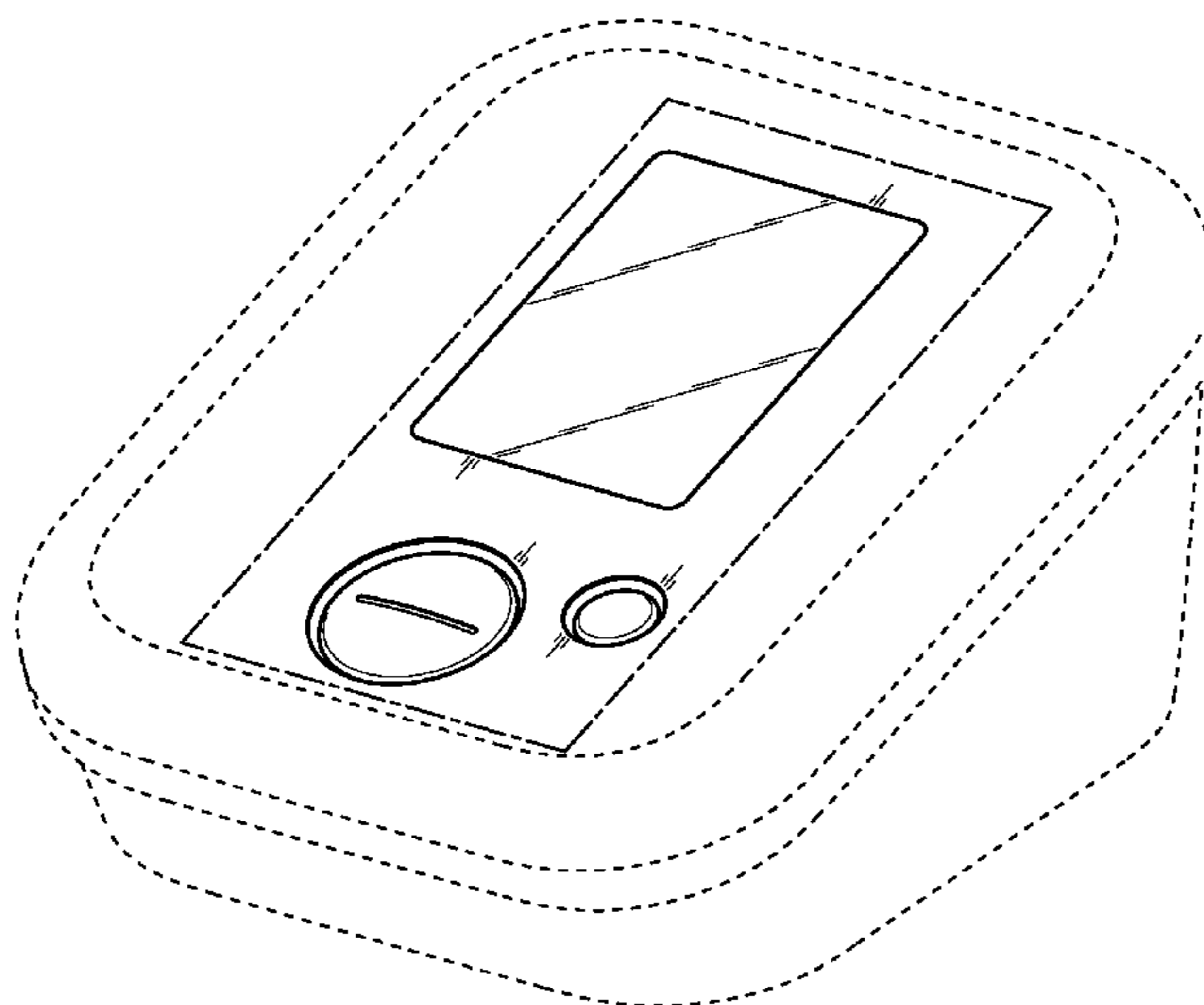


Fig. 1

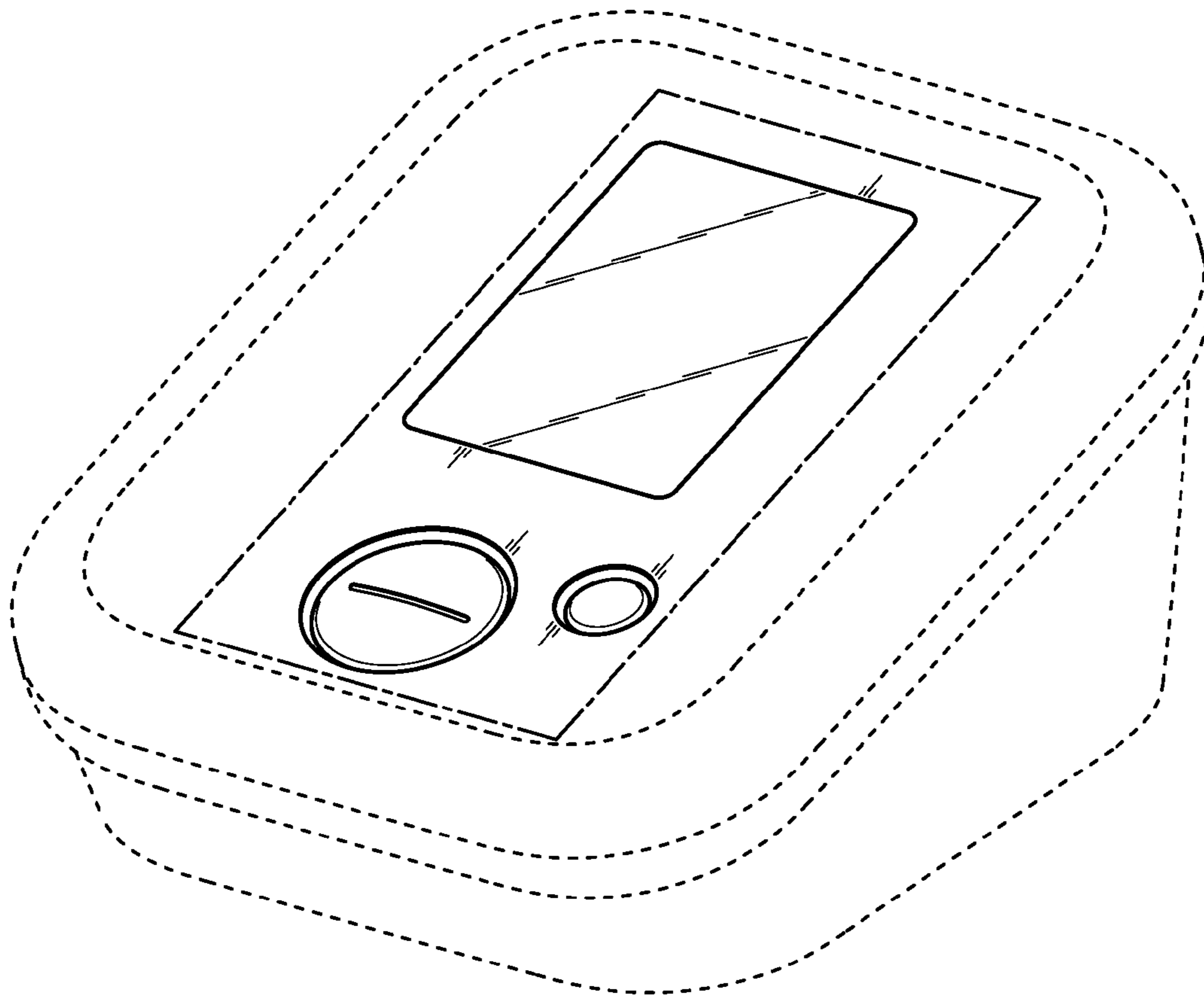


Fig. 2

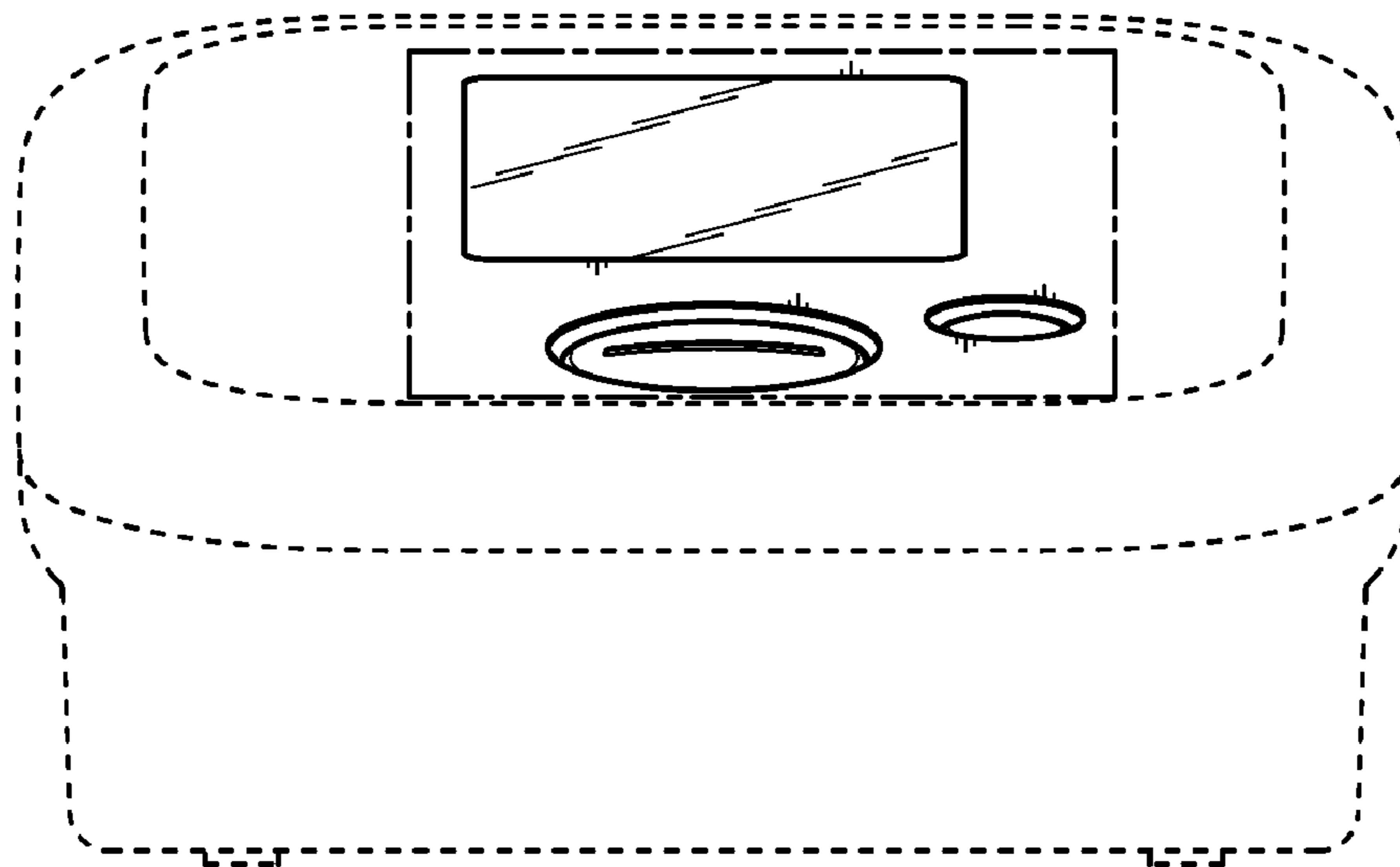


Fig. 3

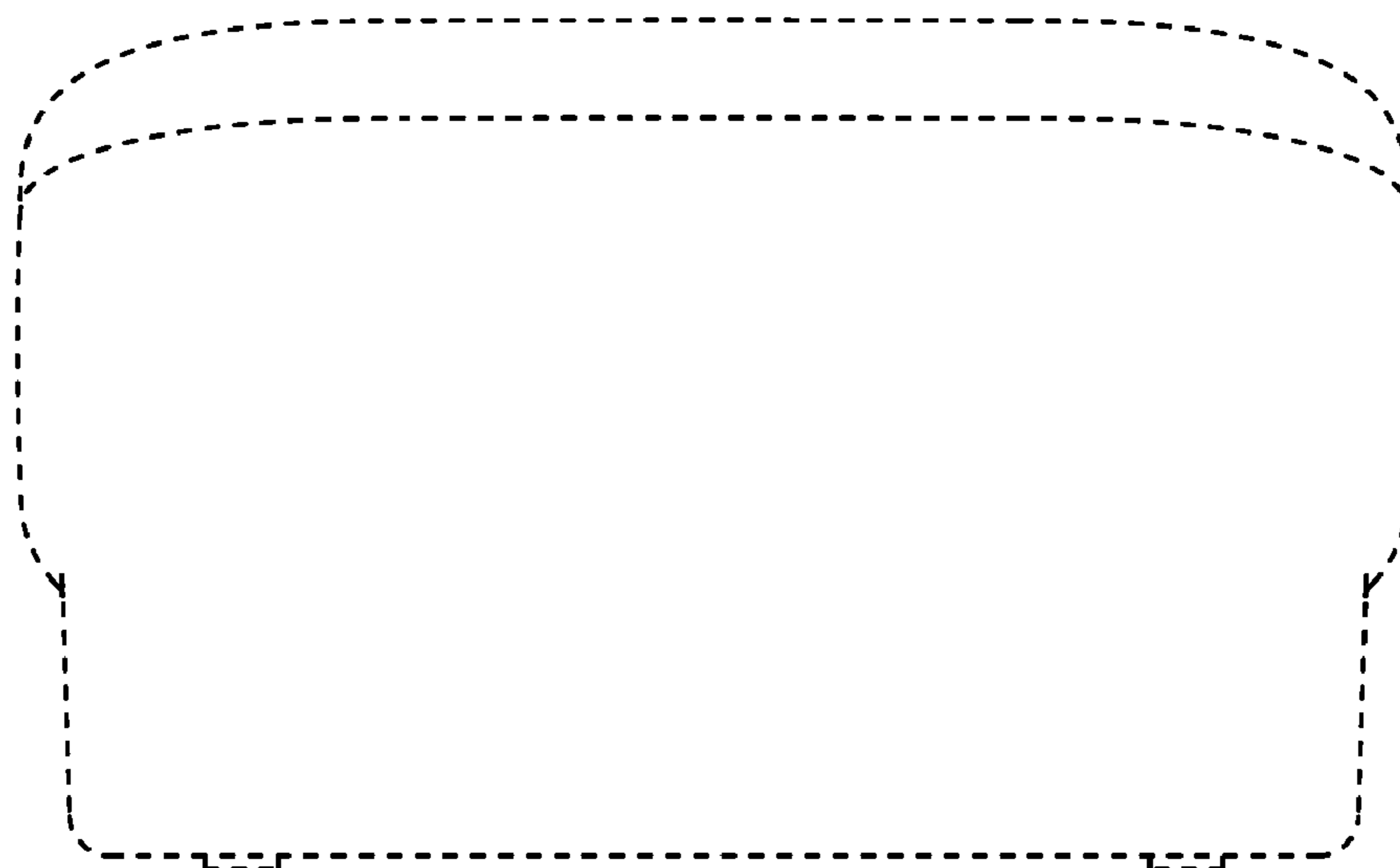


Fig. 4

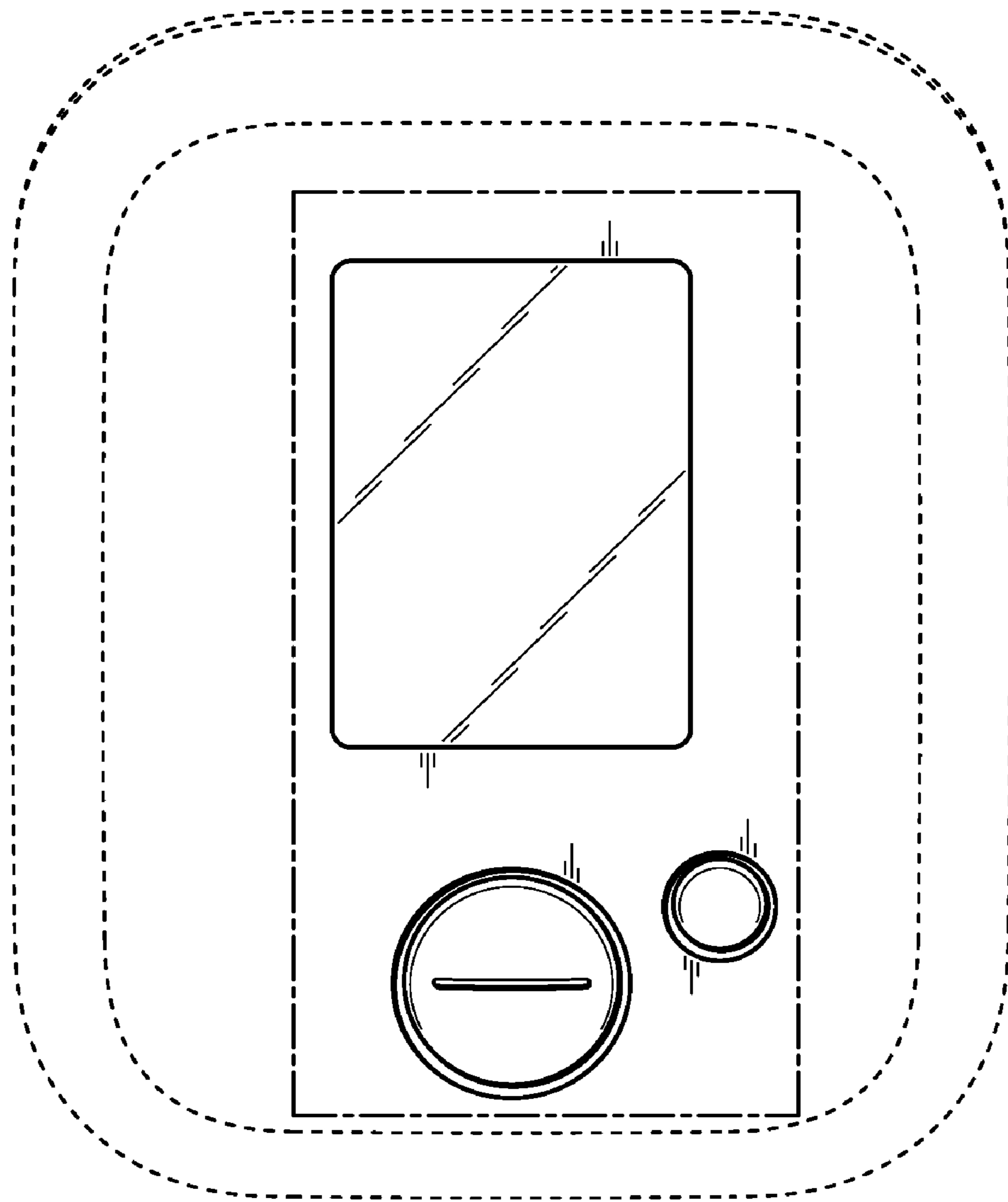


Fig. 5

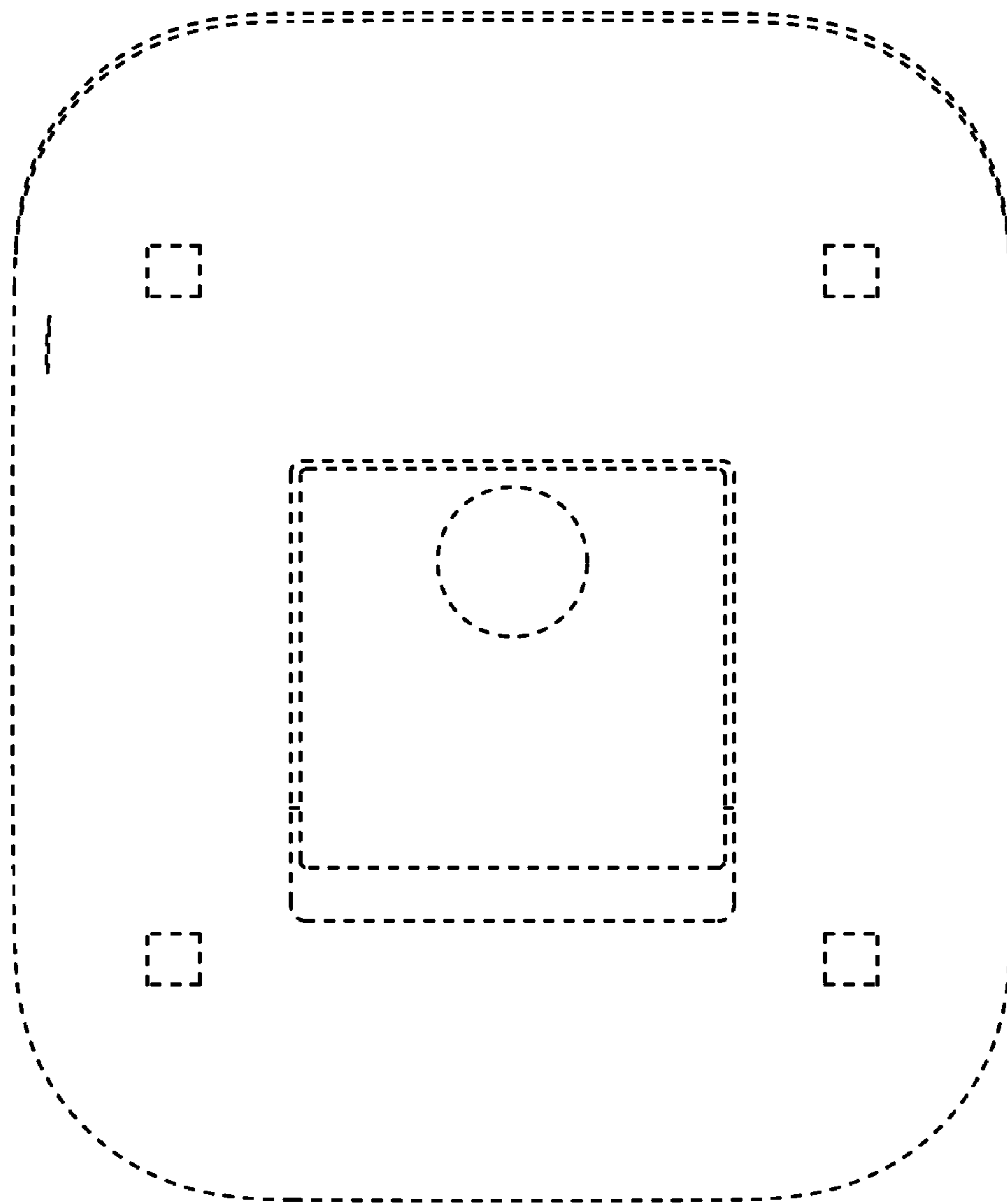


Fig. 6

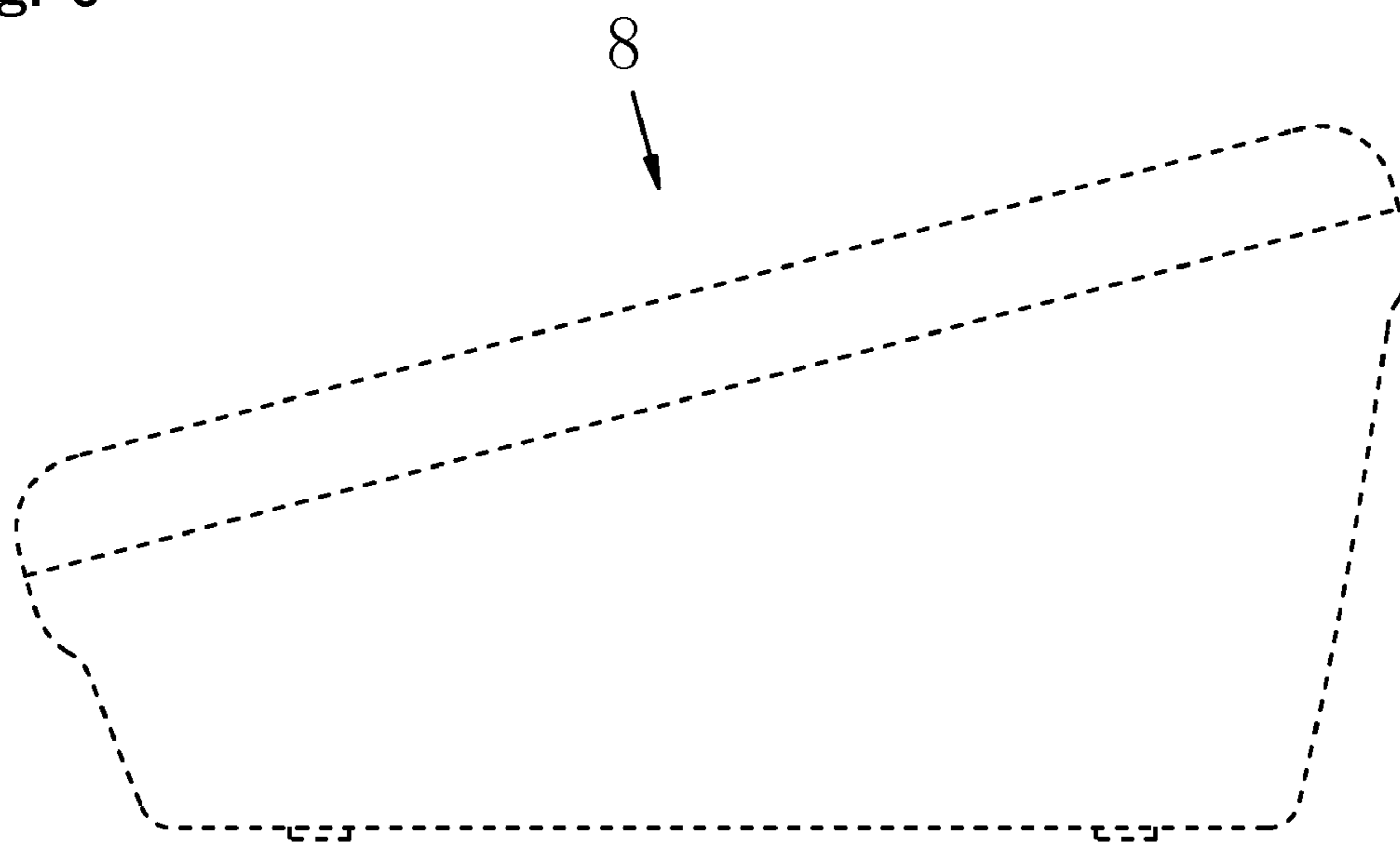


Fig. 7

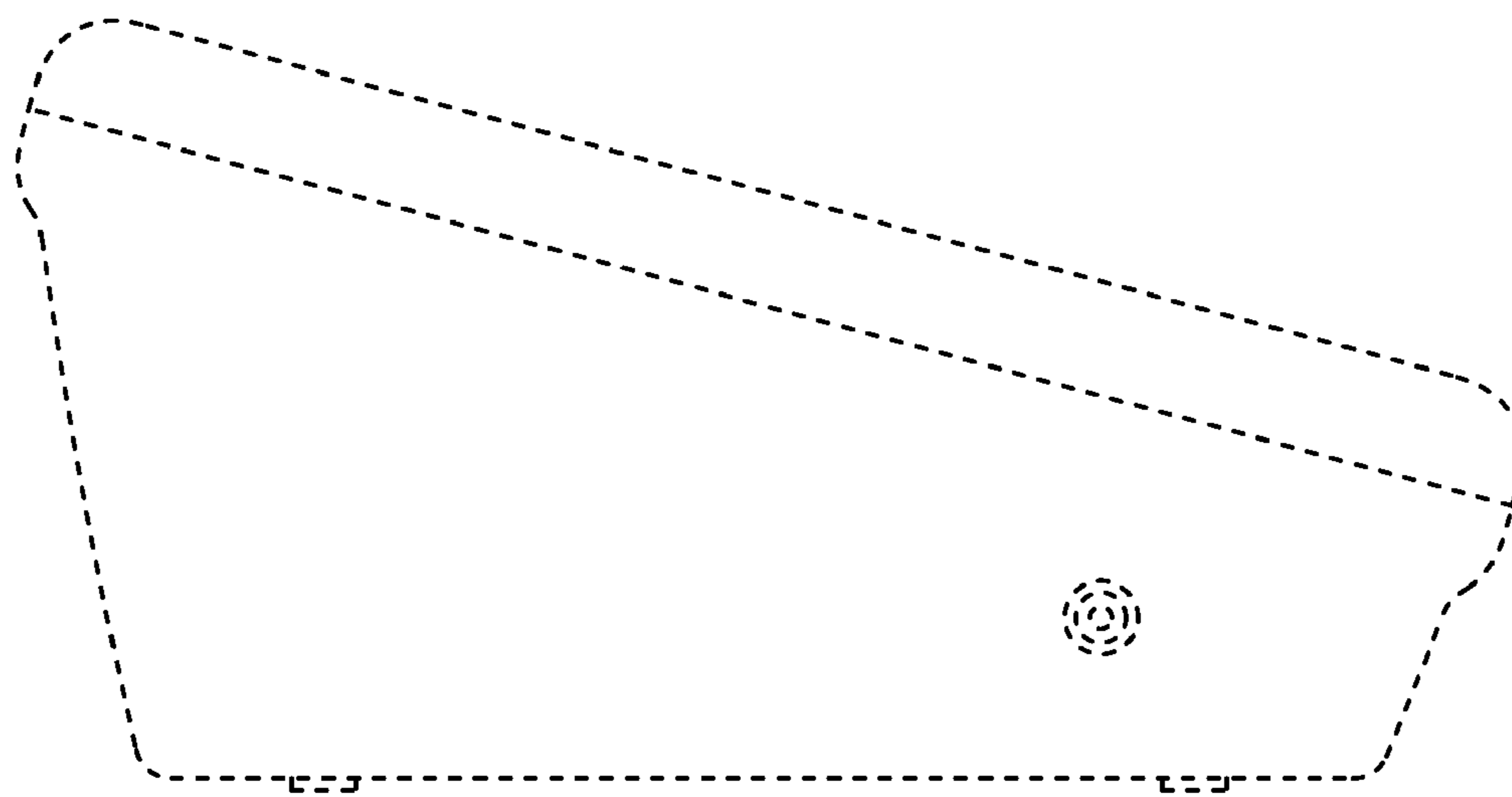


Fig. 8

