

US00D583947S

(12) **United States Design Patent**  
**Abel et al.**

(10) **Patent No.:** **US D583,947 S**

(45) **Date of Patent:** **\*\* Dec. 30, 2008**

(54) **RESPIRATOR HEAD CRADLE**

2006/0213521 A1\* 9/2006 Radney ..... 128/207.11  
2007/0235033 A1\* 10/2007 Reier et al. .... 128/207.11

(75) Inventors: **Nathan A. Abel**, White Bear Lake, MN (US); **James R. Betz**, Hudson, WI (US); **Sean M. Burke**, St. Paul, MN (US); **Michael J. Lynch**, Hudson, WI (US); **Matthew D. Reier**, St. Paul, MN (US); **Andrew S. Viner**, Roseville, MN (US)

(73) Assignee: **3M Innovative Properties Company**, St. Paul, MN (US)

(\*\*) Term: **14 Years**

(21) Appl. No.: **29/282,528**

(22) Filed: **Jul. 23, 2007**

(51) **LOC (8) Cl.** ..... **24-04**

(52) **U.S. Cl.** ..... **D24/164**

(58) **Field of Classification Search** ..... D24/110,  
D24/110.3, 110.5, 164; 128/204.18, 206.27,  
128/207.11, 207.17

See application file for complete search history.

(56) **References Cited**

U.S. PATENT DOCUMENTS

3,013,556	A *	12/1961	Galleher, Jr. ....	128/207.11
5,269,296	A *	12/1993	Landis .....	128/207.18
5,481,763	A	1/1996	Brostrom et al.	
D402,422	S	12/1998	Ho	
6,691,324	B1	2/2004	Nakamura	
6,732,733	B1	5/2004	Brostrom et al.	
D506,552	S *	6/2005	Trammell .....	D24/164
7,036,508	B2 *	5/2006	Kwok .....	128/207.11
D540,940	S *	4/2007	Amarasinghe et al. ..	D24/110.1
D545,960	S *	7/2007	Fu et al. ....	D24/110.1
D550,834	S *	9/2007	Samaras .....	D24/110
7,296,575	B1 *	11/2007	Radney .....	128/207.11
2003/0084903	A1	5/2003	Fecteau et al.	
2004/0073989	A1 *	4/2004	Horn .....	128/207.11

OTHER PUBLICATIONS

U.S. Appl. No. 11/278,269; Inventors: Nathan A. Abel, James R. Betz, Sean M. Burke, Michael J. Lynch, Matthew D. Reier, and Andrew S. Viner; filed Mar. 31, 2006; total pgs. 31 including drawings.

Product Literature: Aearo Technologies, "AOSafety Quickfit", 2006, 2 pgs.

Product Literature: Aearo Technologies, "AOSafety Respiratory Protection", 2006, 20 pgs.

"QuickFit Replacement Parts—Headgear with Slider", Aearo Technologies, 2003, URL [http://www.aosafety.com/industrial/resp\\_detail.cfm?prod\\_family=QuickFit%20Repl%20Parts&ind\\_prod\\_num=50664-00000001](http://www.aosafety.com/industrial/resp_detail.cfm?prod_family=QuickFit%20Repl%20Parts&ind_prod_num=50664-00000001); 2 pgs.

\* cited by examiner

*Primary Examiner*—Louis S Zarfaz

*Assistant Examiner*—Anhdao Doan

(74) *Attorney, Agent, or Firm*—Kenneth B. Wood

(57) **CLAIM**

The ornamental design for a respirator head cradle, as shown and described.

**DESCRIPTION**

FIG. 1 is a perspective view of a first embodiment of a new design for a respirator head cradle;

FIG. 2 is a top view of the first embodiment;

FIG. 3 is a back view thereof;

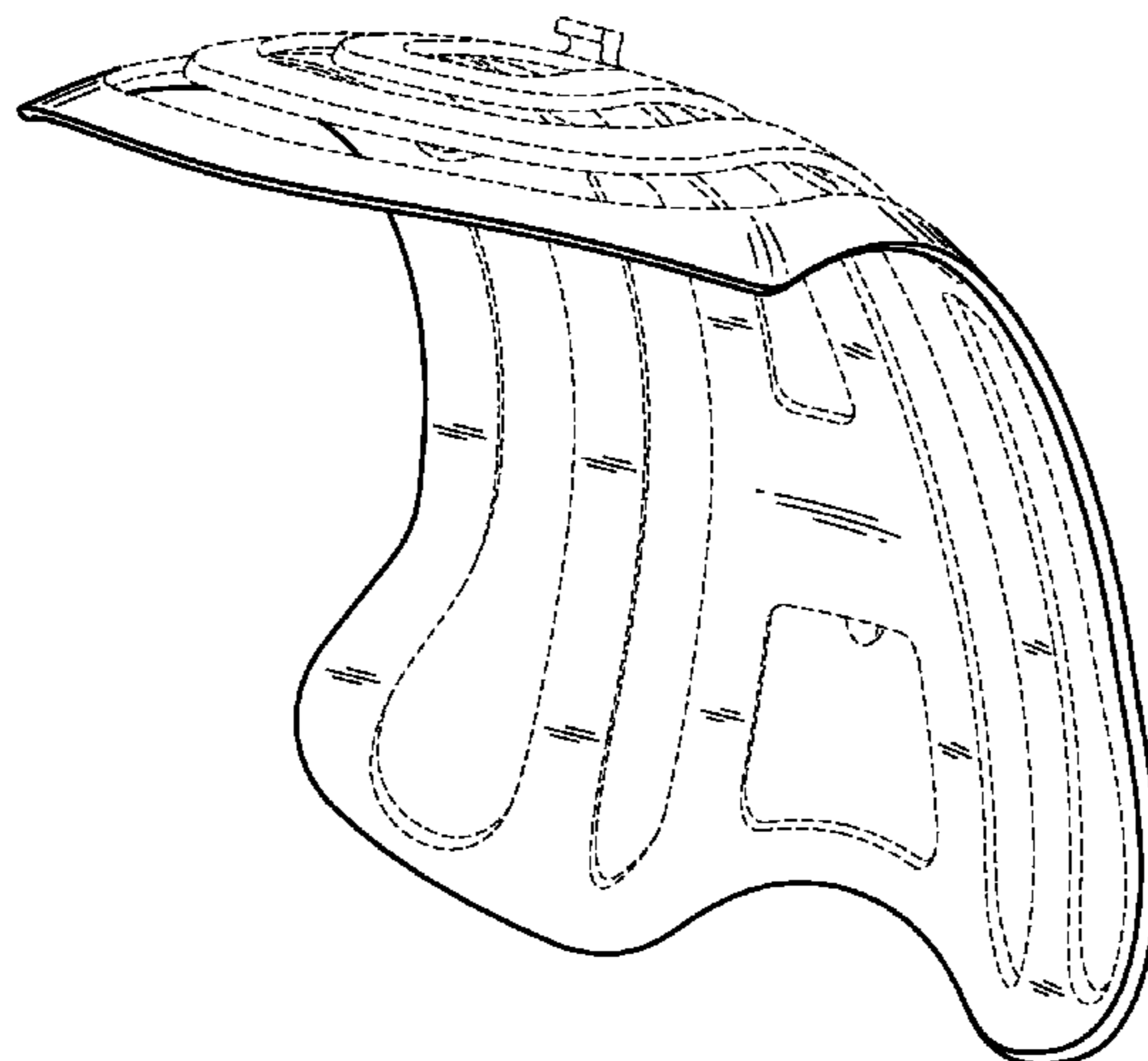
FIG. 4 is a bottom view thereof;

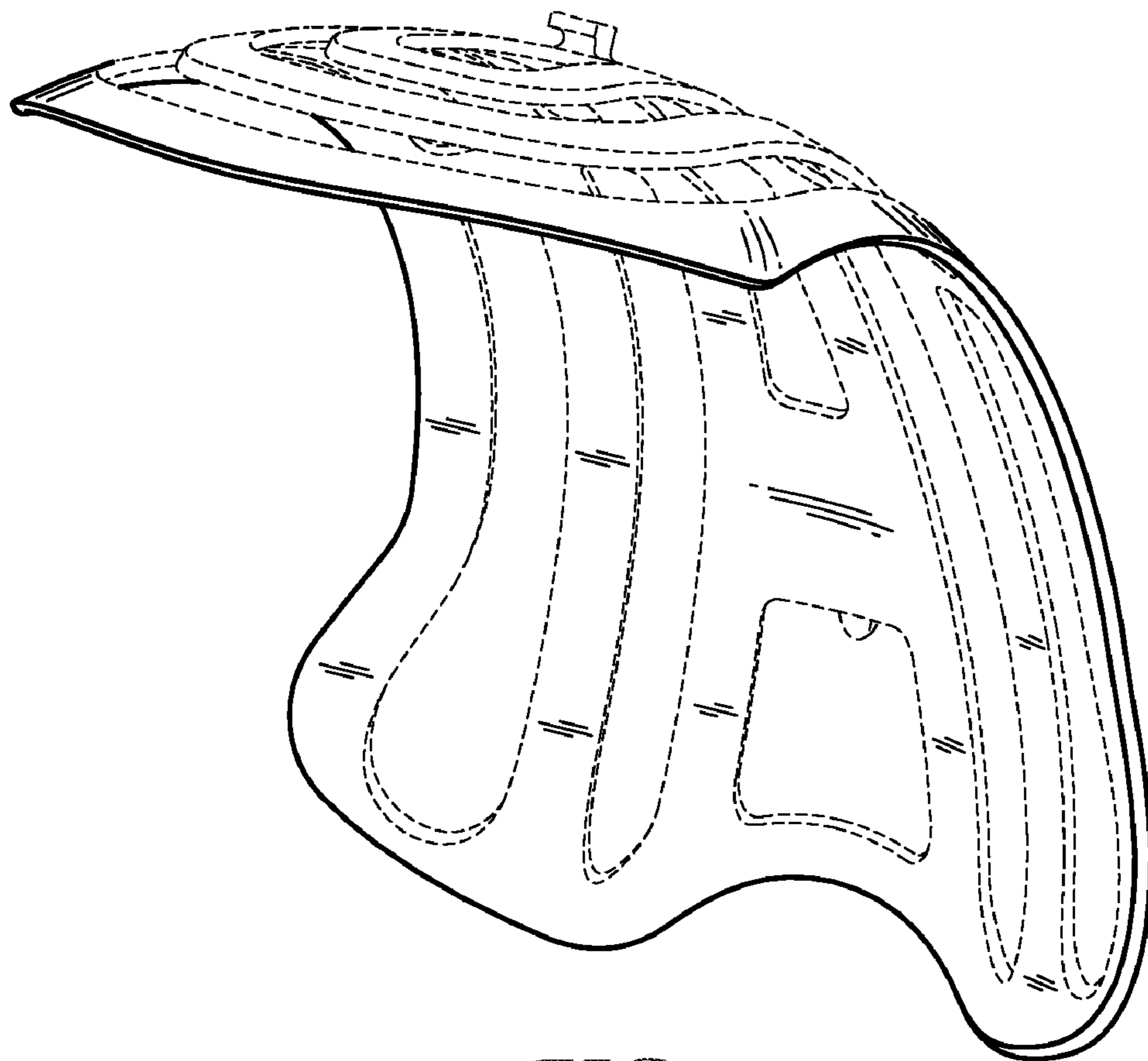
FIG. 5 is a left side view thereof, the right side view being a mirror image of the left side view; and,

FIG. 6 is a front view thereof.

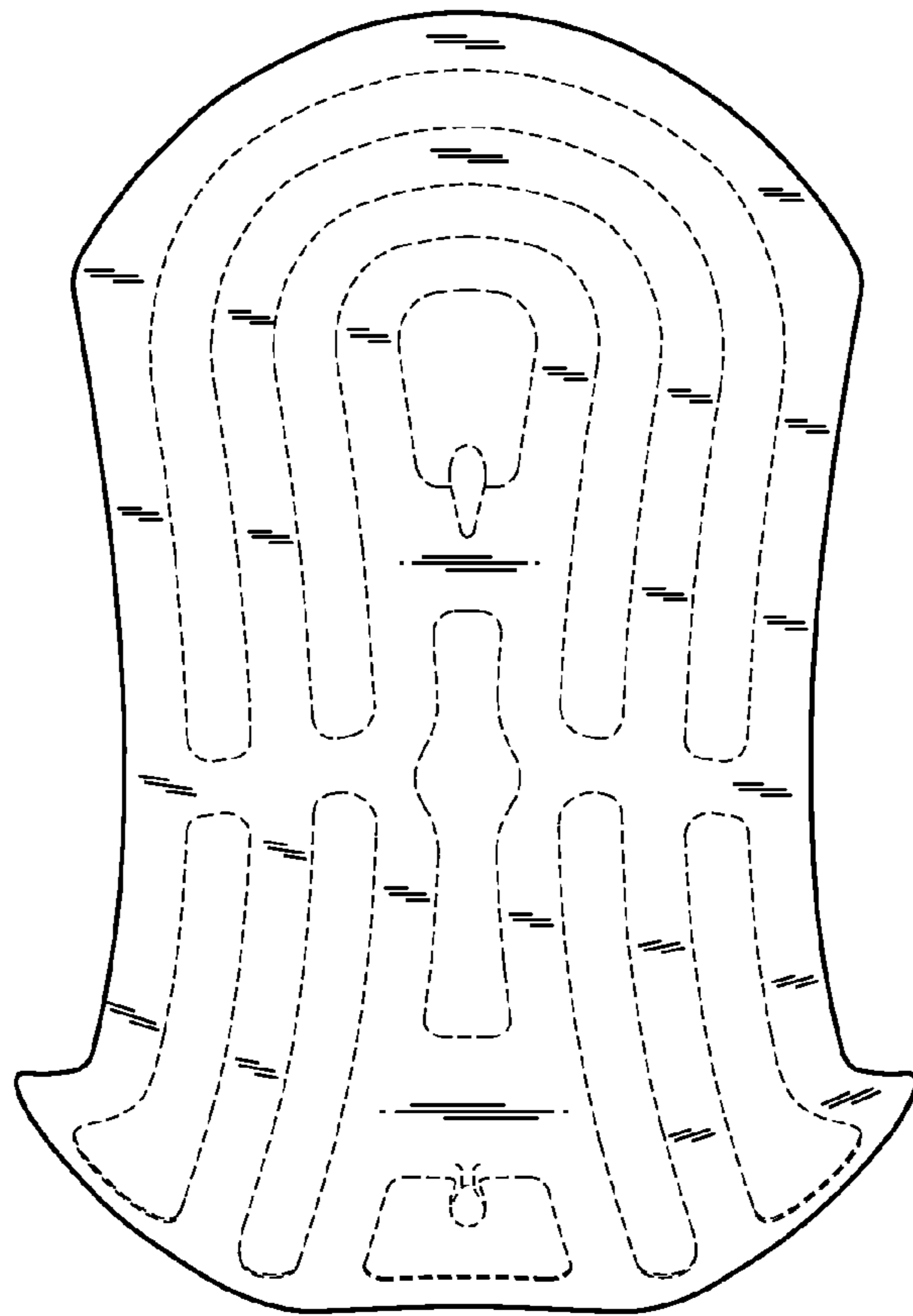
The broken lines in the drawings represent the bounds of the claim and form no part of the claimed design.

**1 Claim, 3 Drawing Sheets**

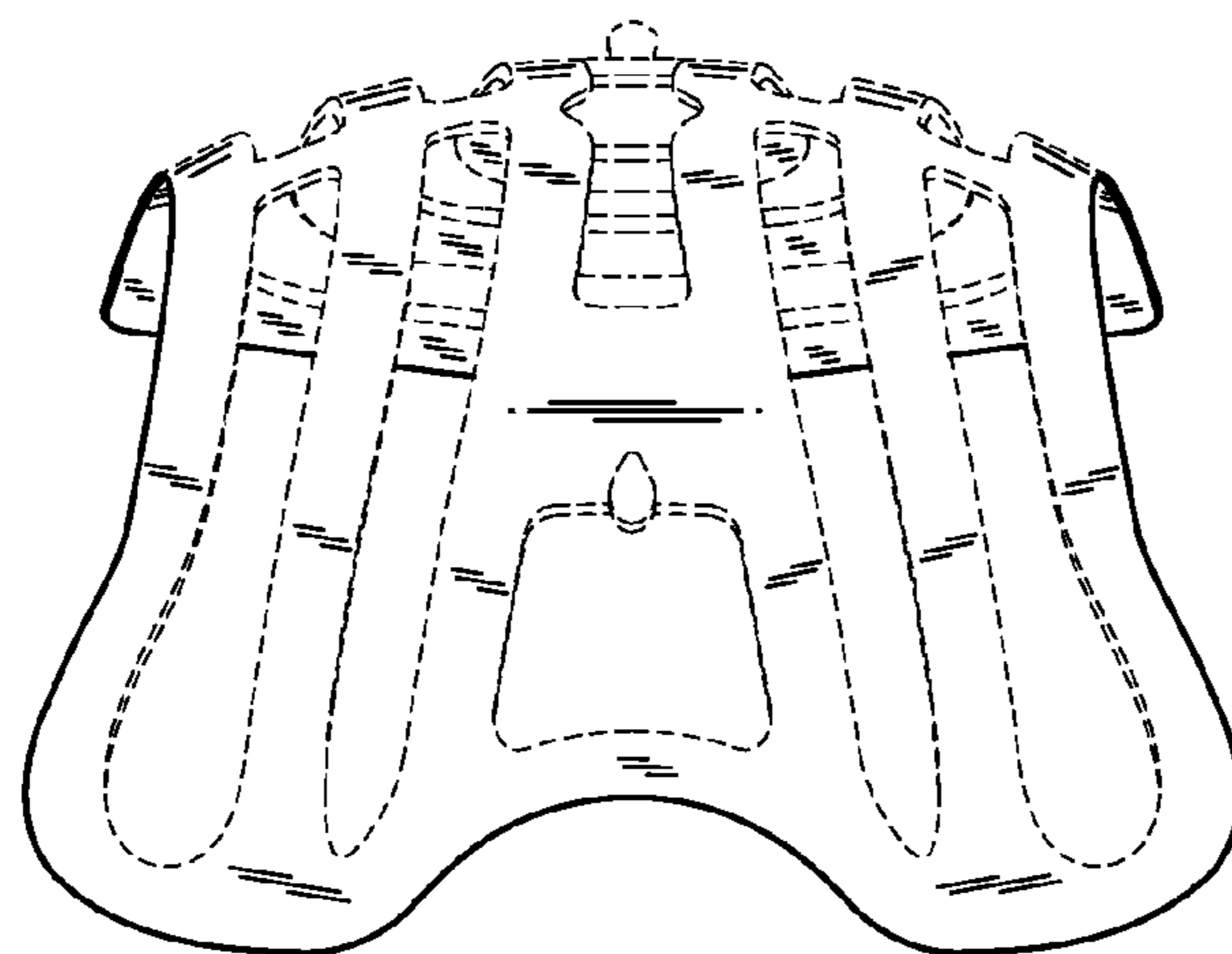




*FIG. 1*



*FIG. 2*



*FIG. 3*

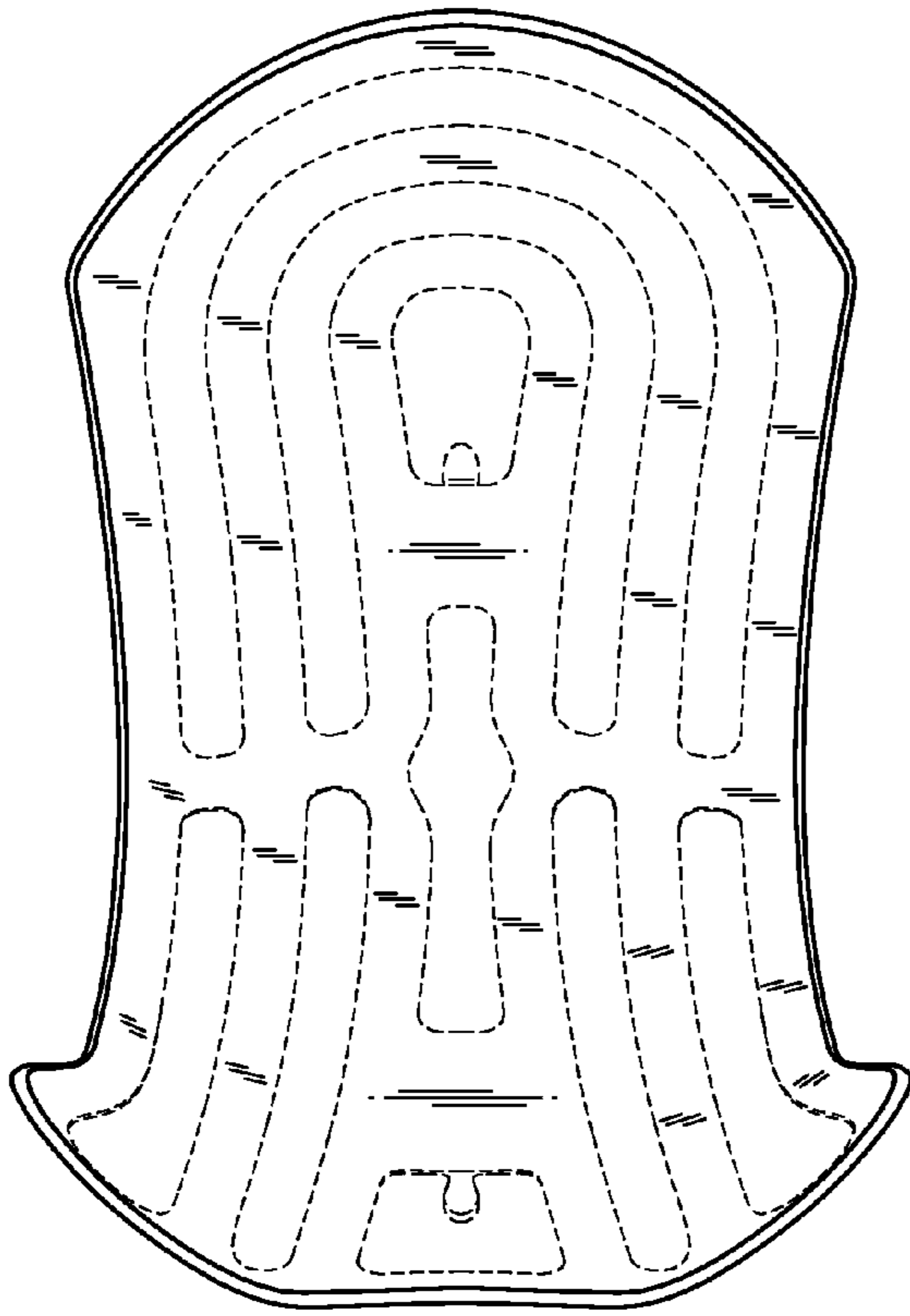


FIG. 4

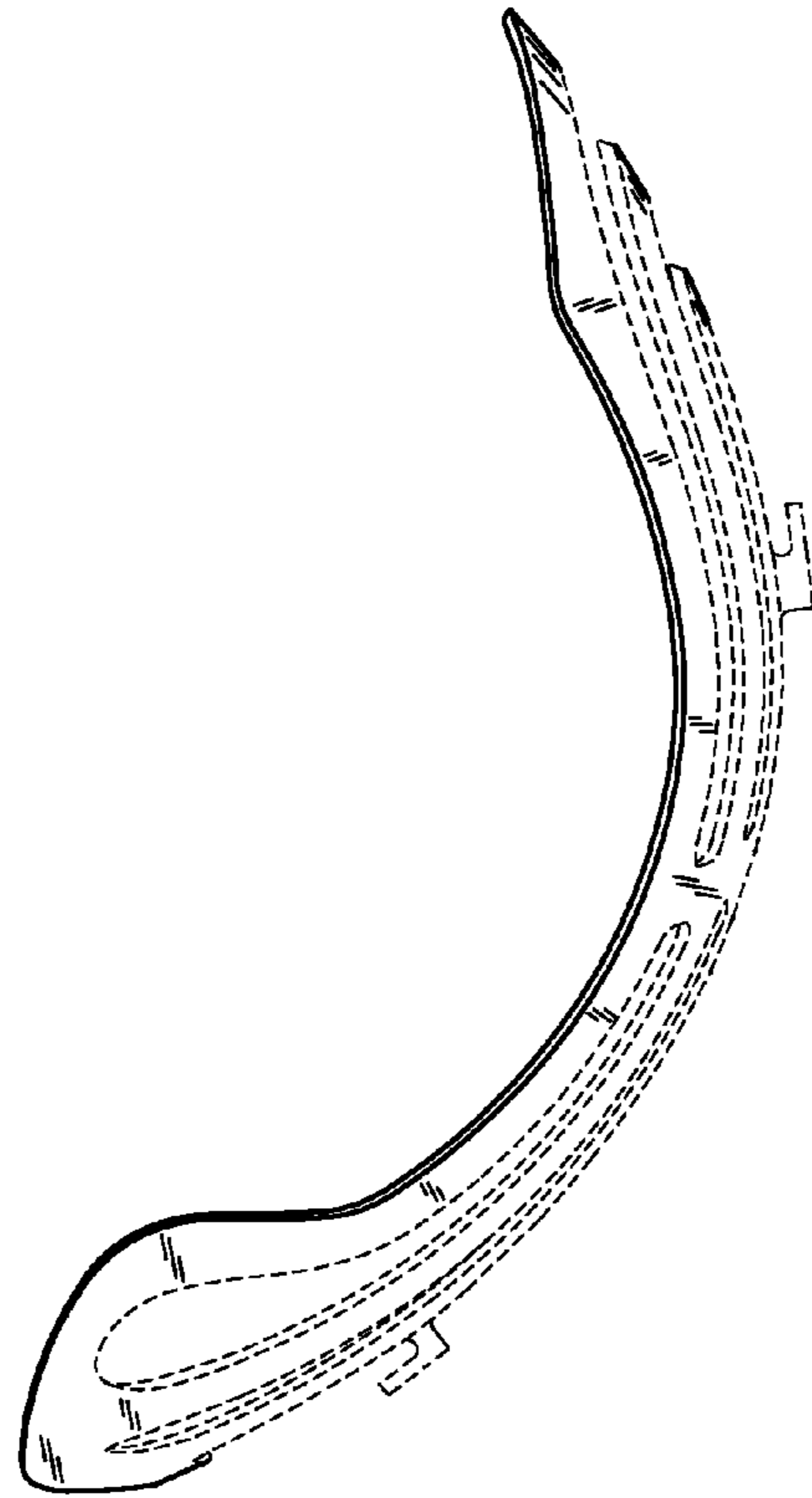


FIG. 5

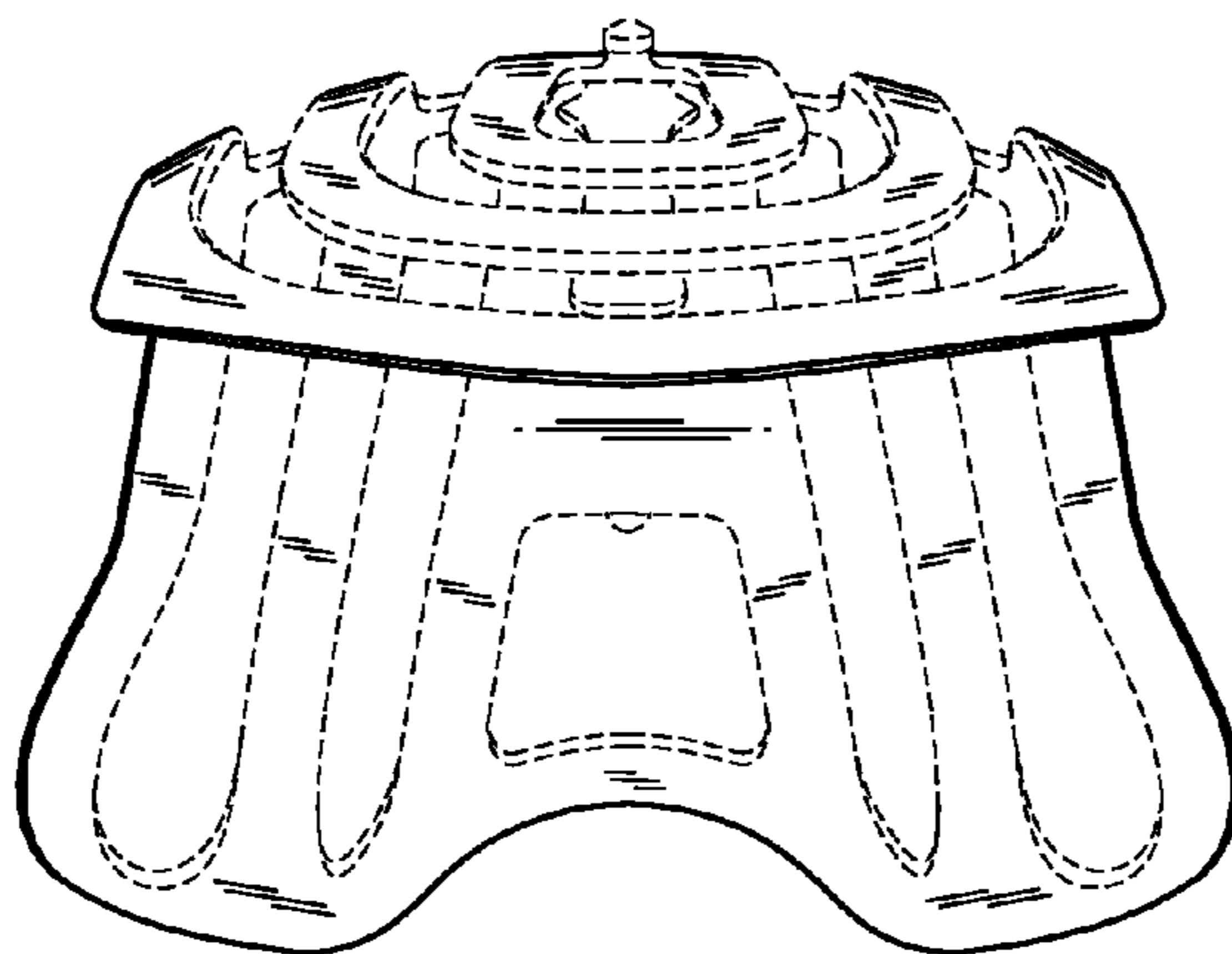


FIG. 6