



US00D583946S

(12) **United States Design Patent**
Schendel

(10) **Patent No.:** **US D583,946 S**

(45) **Date of Patent:** **** Dec. 30, 2008**

(54) **ORTHODONTIC ANCHORAGE SCREW**

(76) Inventor: **Stephen A. Schendel**, 54 Loyola Ave.,
Menlo Park, CA (US) 94025

(**) Term: **14 Years**

(21) Appl. No.: **29/310,311**

(22) Filed: **Aug. 8, 2008**

Related U.S. Application Data

(62) Division of application No. 29/285,725, filed on Apr.
9, 2007, now Pat. No. Des. 574,958.

(51) **LOC (8) Cl.** **24-03**

(52) **U.S. Cl.** **D24/156; D8/387**

(58) **Field of Classification Search** D24/155,
D24/156, 107; 433/173, 176; D8/387, 388
See application file for complete search history.

(56) **References Cited**

U.S. PATENT DOCUMENTS

D263,878 S *	4/1982	Edwardson	D24/156
D264,125 S *	4/1982	Biggs	D24/156
D324,731 S *	3/1992	Sullivan	D24/156
D358,212 S *	5/1995	Sullivan	D24/156
D366,115 S *	1/1996	Sullivan	D24/156
D401,694 S *	11/1998	Daftary	D24/155

D470,939 S *	2/2003	Daftary	D24/156
6,619,958 B2 *	9/2003	Beaty et al.	433/173
6,722,884 B2 *	4/2004	Ashman	433/173
D503,803 S *	4/2005	Shalaby et al.	D24/156
D507,650 S *	7/2005	Teich	D24/156
D551,543 S *	9/2007	Williams et al.	D8/387
2003/0224328 A1 *	12/2003	Sapian	433/173

* cited by examiner

Primary Examiner—Charles A Rademaker

(74) *Attorney, Agent, or Firm*—Rodgers & Rodgers

(57) **CLAIM**

The ornamental design for an orthodontic anchorage screw,
as shown and described.

DESCRIPTION

FIG. 1 is a perspective view of an orthodontic anchorage
screw showing my new design;

FIG. 2 is a top plan view thereof;

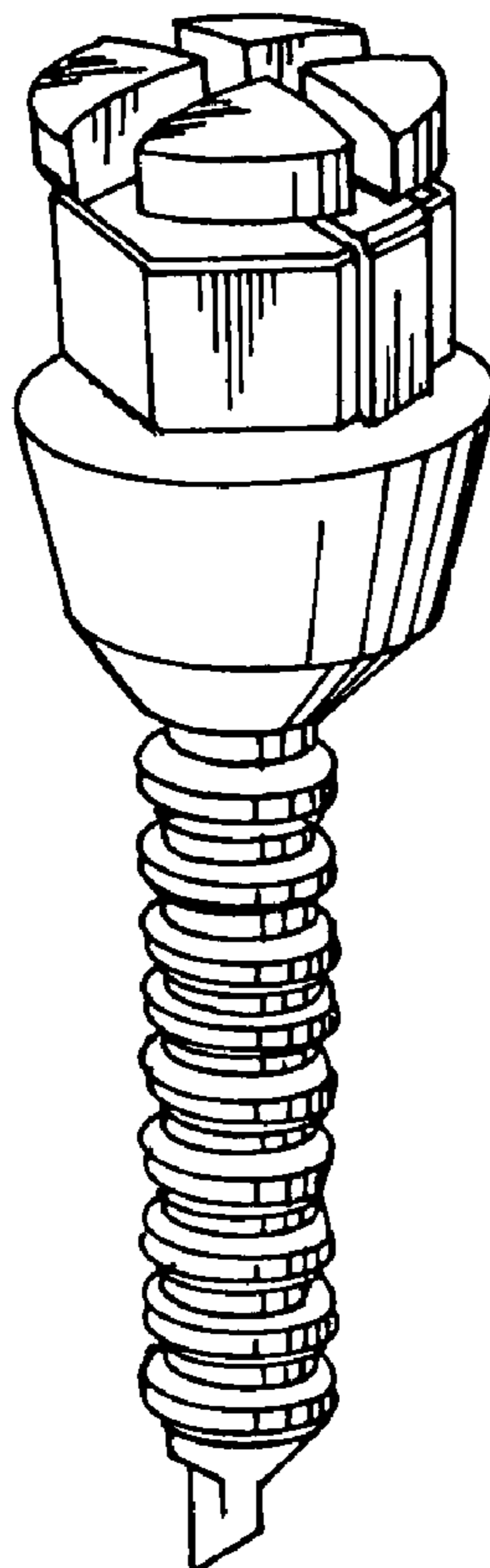
FIG. 3 is a bottom plan view thereof;

FIG. 4 is a front elevational view thereof;

FIG. 5 is a right side elevation thereof, the side opposite being
substantially a mirror image; and,

FIG. 6 is a rear elevational view thereof.

1 Claim, 1 Drawing Sheet



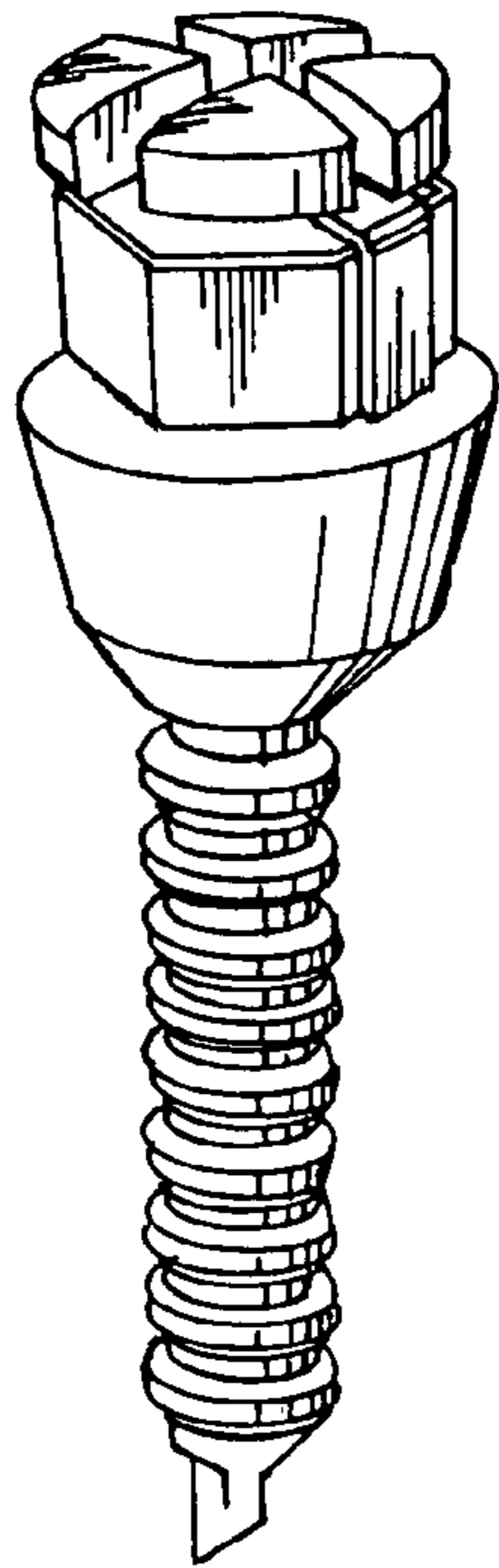


FIG. 1

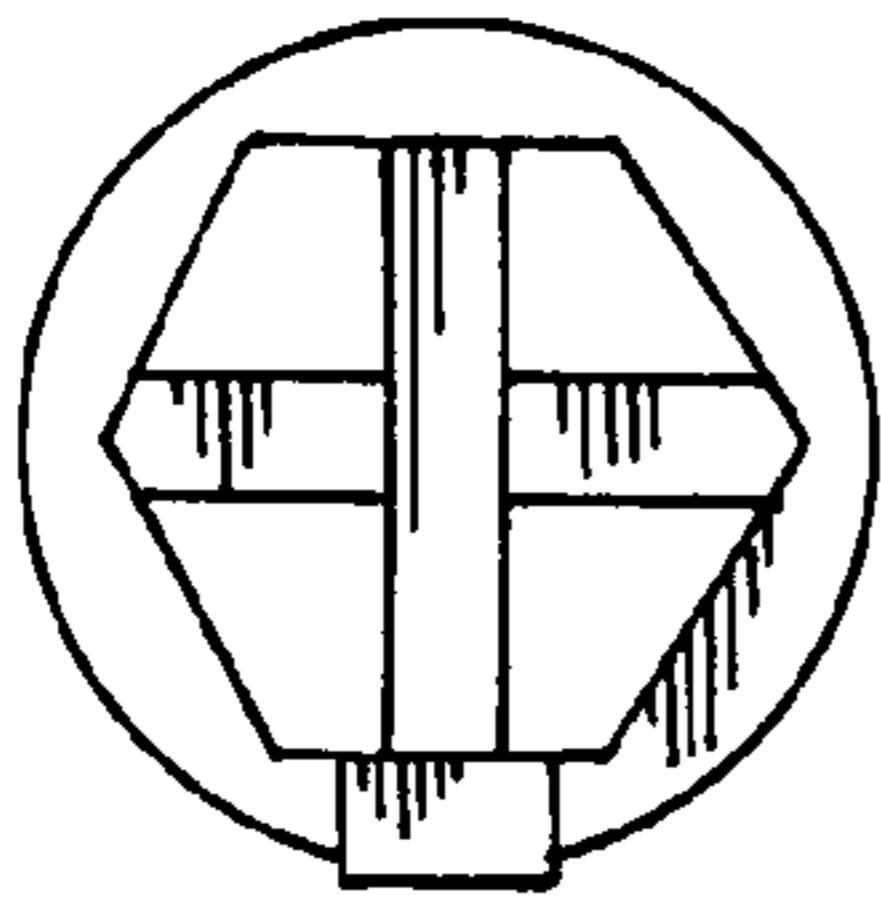


FIG. 2

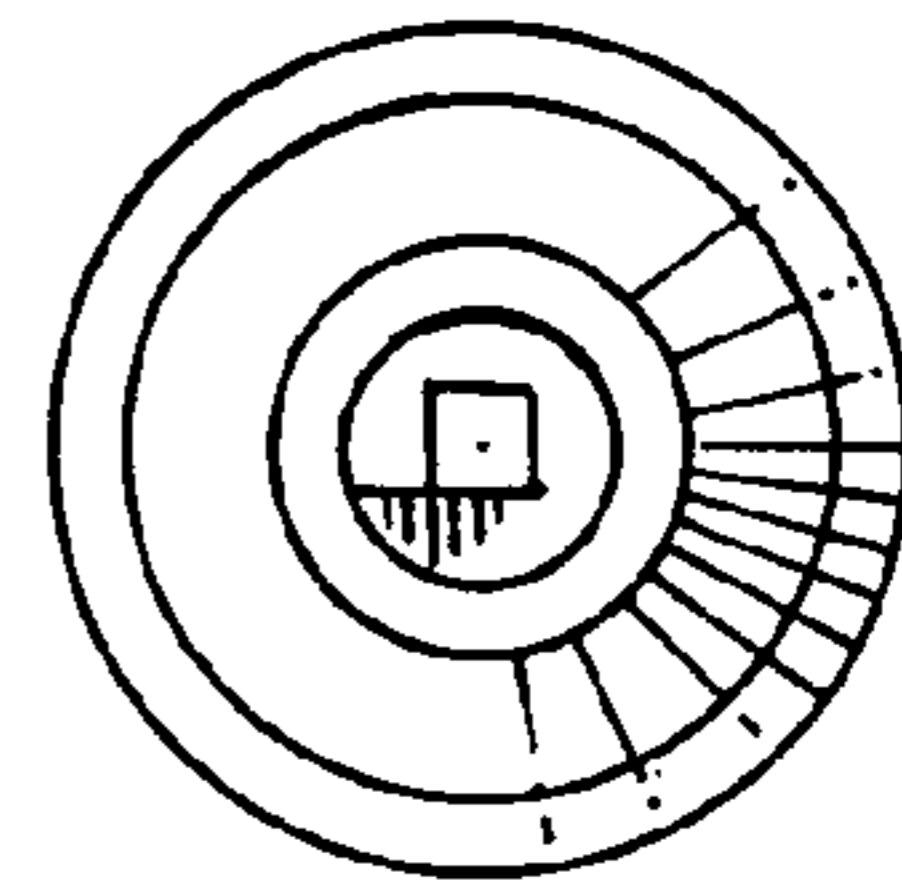


FIG. 3

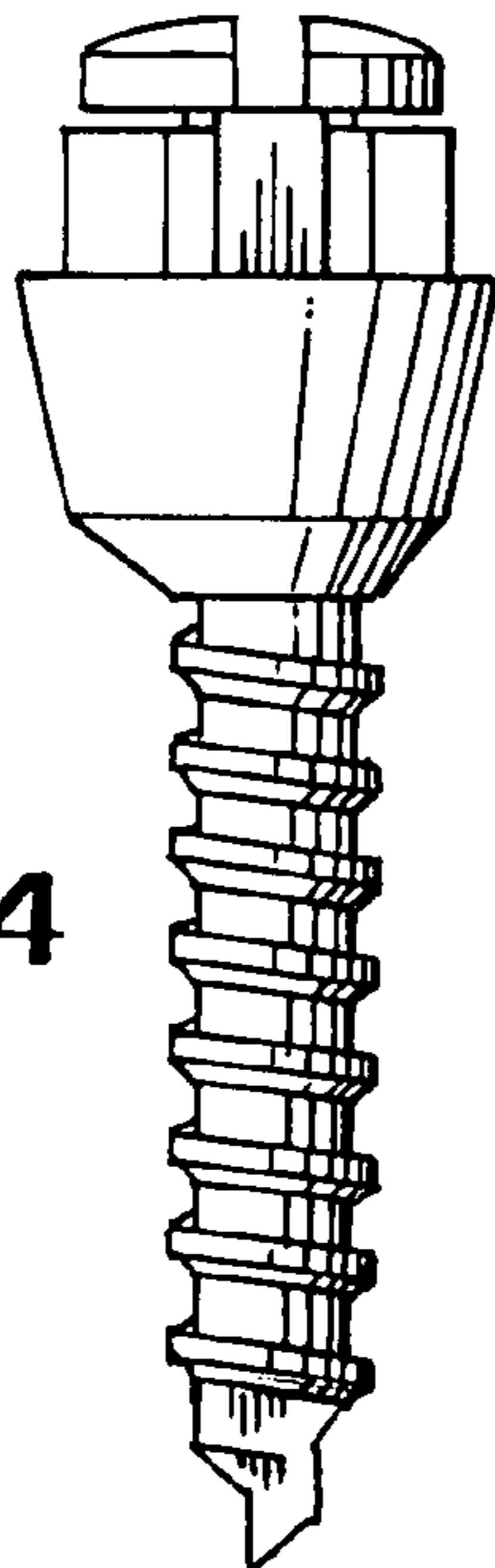


FIG. 4

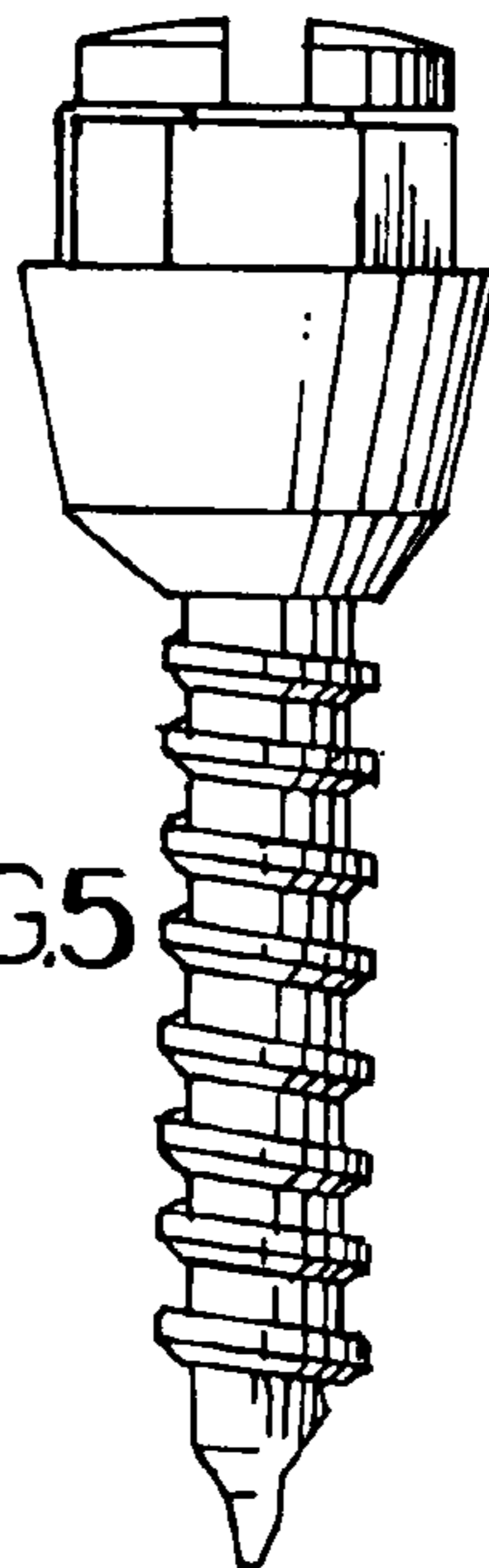


FIG. 5

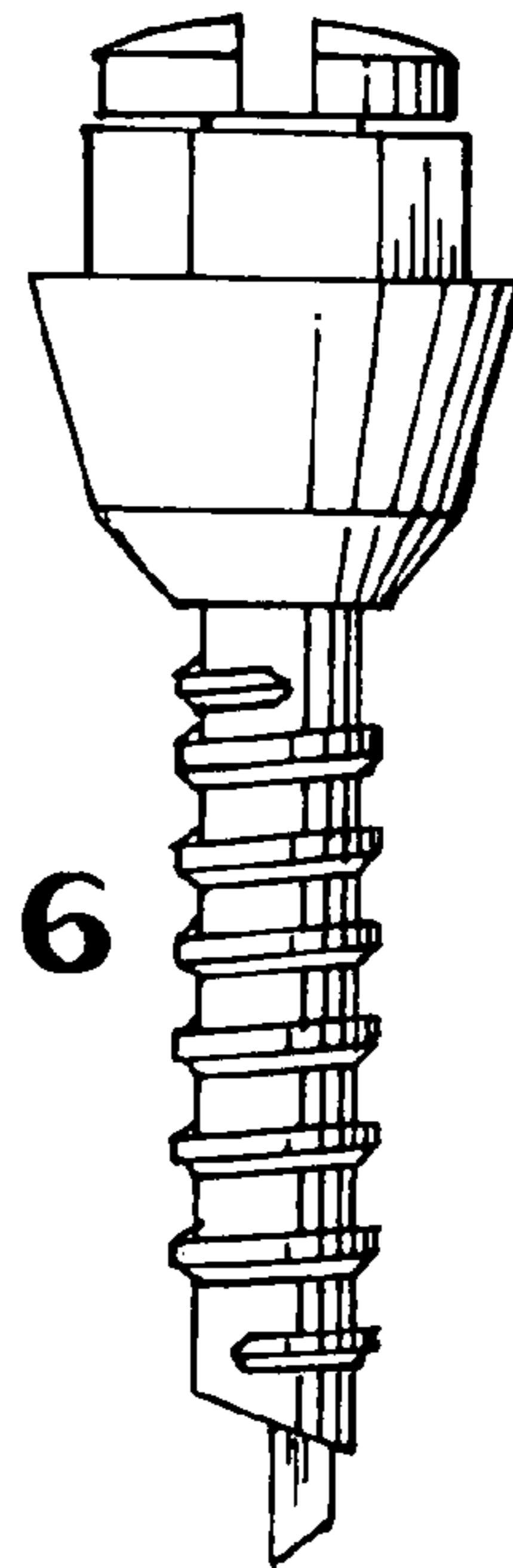


FIG. 6