



US00D583944S

(12) **United States Design Patent**  
**Nishida et al.**

(10) **Patent No.:** **US D583,944 S**  
(45) **Date of Patent:** **\*\* Dec. 30, 2008**

(54) **IMPLANT FOR MEDICAL APPLICATIONS**

(75) Inventors: **Koutaro Nishida**, Kobe (JP); **Setuo Kinoshita**, Kasai (JP)

(73) Assignees: **Kinoshita Giken Corporation**, Kasai-shi (JP); **Koutaro Nishida**, Kobe-shi (JP)

(\*\*) Term: **14 Years**

(21) Appl. No.: **29/301,301**

(22) Filed: **Feb. 20, 2008**

**Related U.S. Application Data**

(62) Division of application No. 29/270,716, filed on Dec. 29, 2006, now Pat. No. Des. 566,841.

(30) **Foreign Application Priority Data**

Jul. 3, 2006 (JP) ..... 2006-017456

(51) **LOC (8) Cl.** ..... **24-03**

(52) **U.S. Cl.** ..... **D24/155**

(58) **Field of Classification Search** ..... D24/155, D24/156; 606/61, 72, 74; 623/16.11, 17.11, 623/17.16, 17.17, 11.1; D21/76; 433/173  
See application file for complete search history.

(56) **References Cited**

**U.S. PATENT DOCUMENTS**

- D225,970 S \* 1/1973 O'Donnell ..... D8/387
- D263,878 S \* 4/1982 Edwardson ..... D24/156
- D296,362 S \* 6/1988 Branemark ..... D24/156
- D310,956 S \* 10/1990 Huska ..... D8/387
- D317,200 S \* 5/1991 Jorneus ..... D24/156
- D319,500 S \* 8/1991 Soderberg ..... D24/156
- 5,364,400 A \* 11/1994 Rego et al. .... 606/72
- D374,080 S \* 9/1996 Broberg ..... D24/156
- D414,556 S \* 9/1999 Broberg et al. .... D24/156

- D455,212 S \* 4/2002 Albrektsson et al. .... D24/155
- D469,535 S \* 1/2003 Lidskog et al. .... D24/156
- D496,260 S \* 9/2004 Echazabal ..... D8/387
- D507,650 S \* 7/2005 Teich ..... D24/156

\* cited by examiner

*Primary Examiner*—Charles A Rademaker

(74) *Attorney, Agent, or Firm*—Alleman Hall McCoy Russell & Tuttle LLP

(57) **CLAIM**

The ornamental design for an implant for medical applications, as shown and described.

**DESCRIPTION**

FIG. 1 is a left side elevation of an implant for medical applications showing our new design;

FIG. 2 is a right side elevation thereof;

FIG. 3 is a top plan view thereof;

FIG. 4 is a bottom plan view thereof;

FIG. 5 is a front perspective view thereof;

FIG. 6 is a rear perspective view thereof;

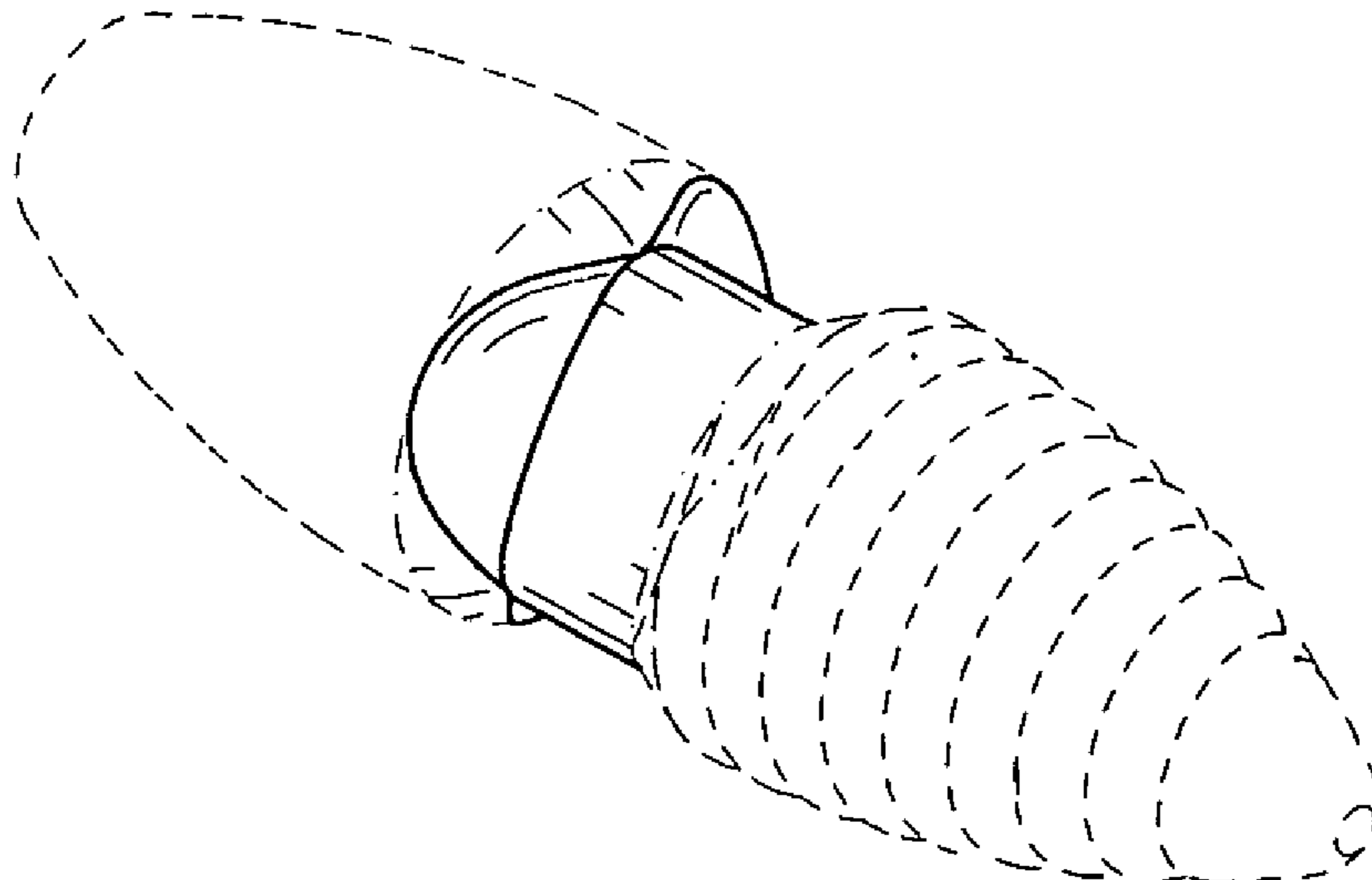
FIG. 7 is a cross-sectional view thereof taken along reference lines 7—7 in FIG. 1; and,

FIG. 8 is another cross-sectional view thereof taken along reference lines 8—8 in FIG. 3.

The broken line shown in the figure drawings is included for the purpose of illustrating the boundary of claimed subject matter and structural environment and form no part of the claimed design.

The single dot dashed lines shown in FIGS. 1—8 form the boundary of the claimed design and the remaining dashed lines illustrate environment and form no part of the claimed design.

**1 Claim, 2 Drawing Sheets**



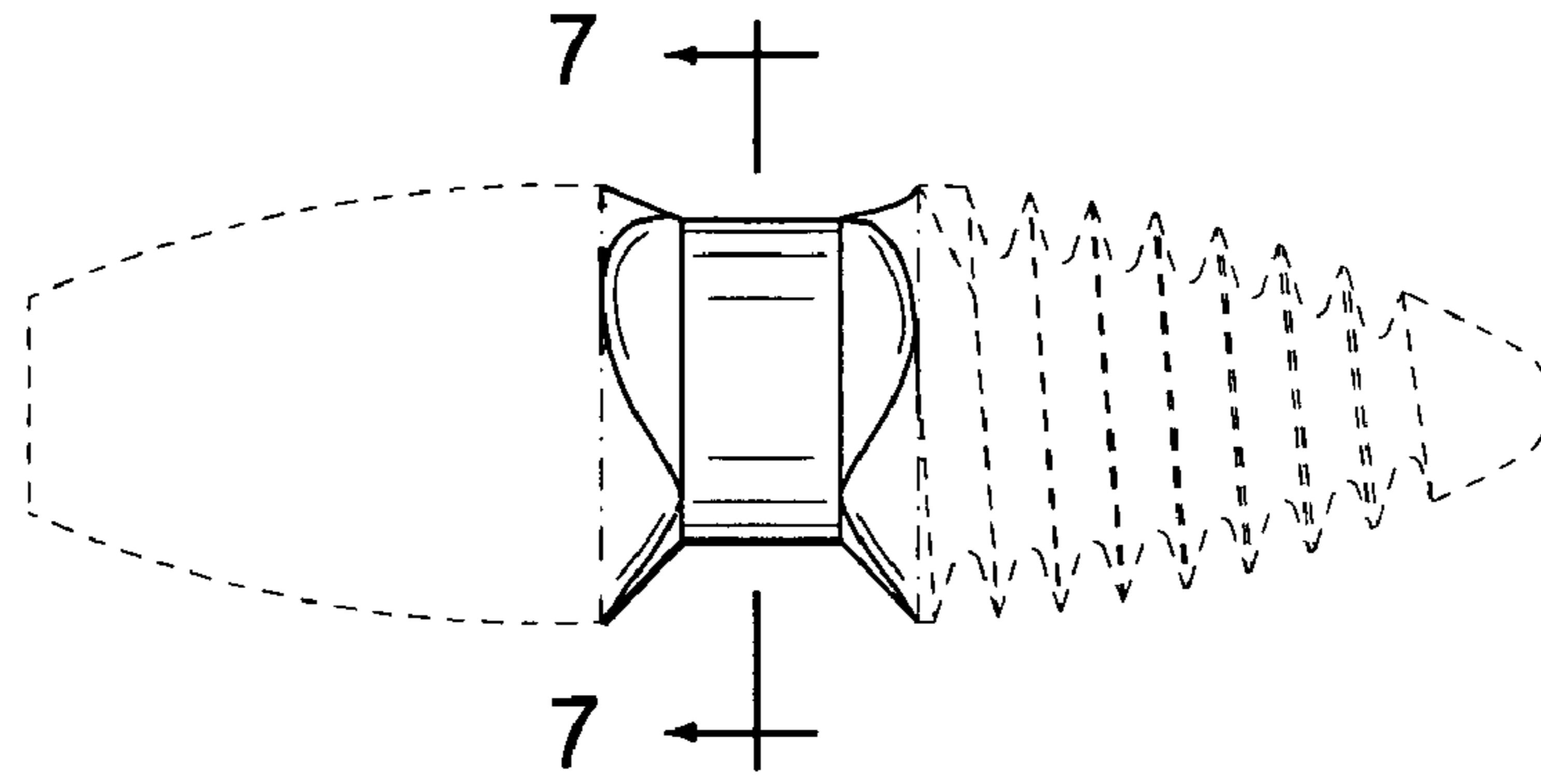


Fig. 1

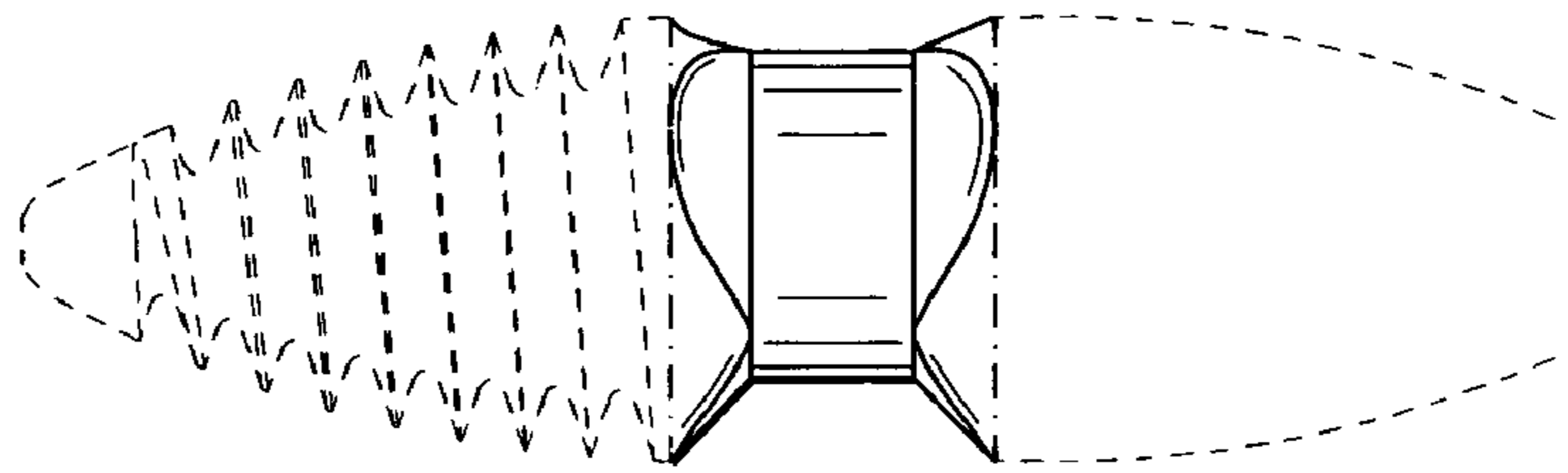


Fig. 2

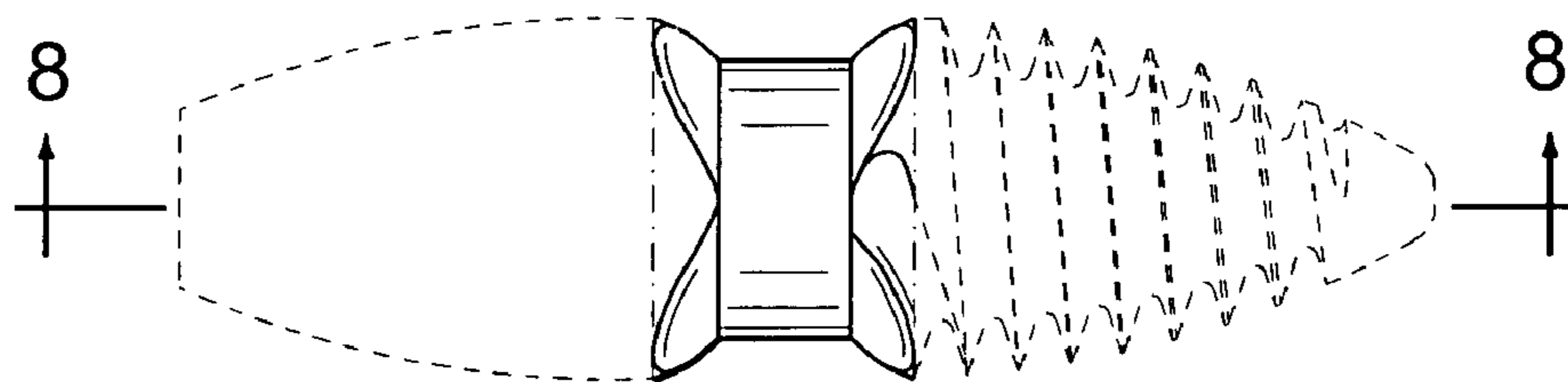


Fig. 3

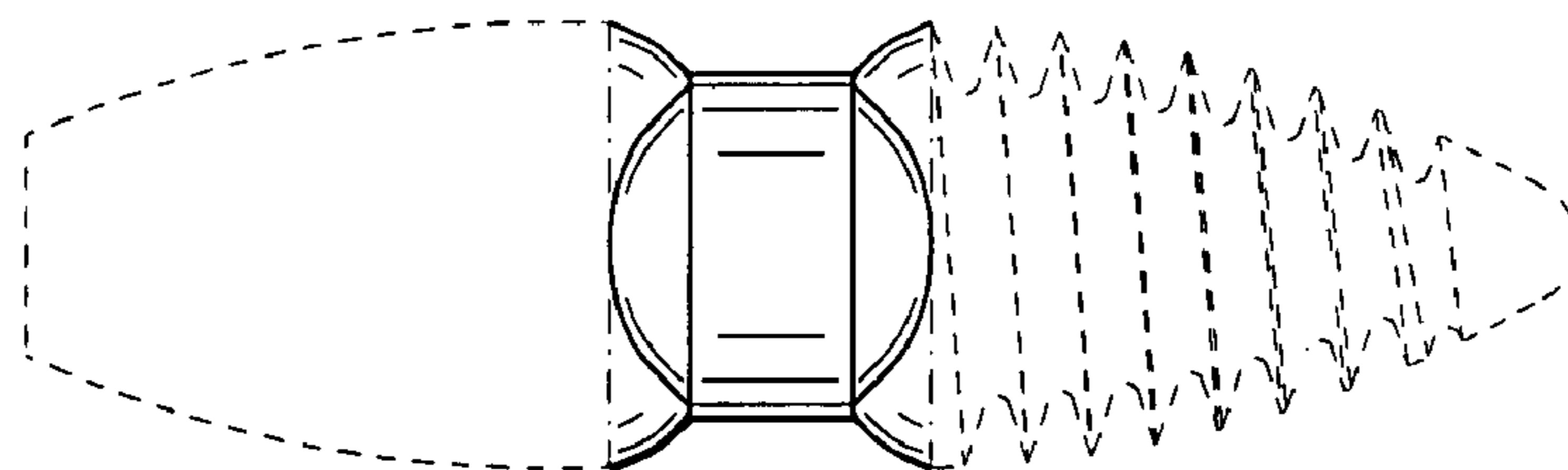


Fig. 4

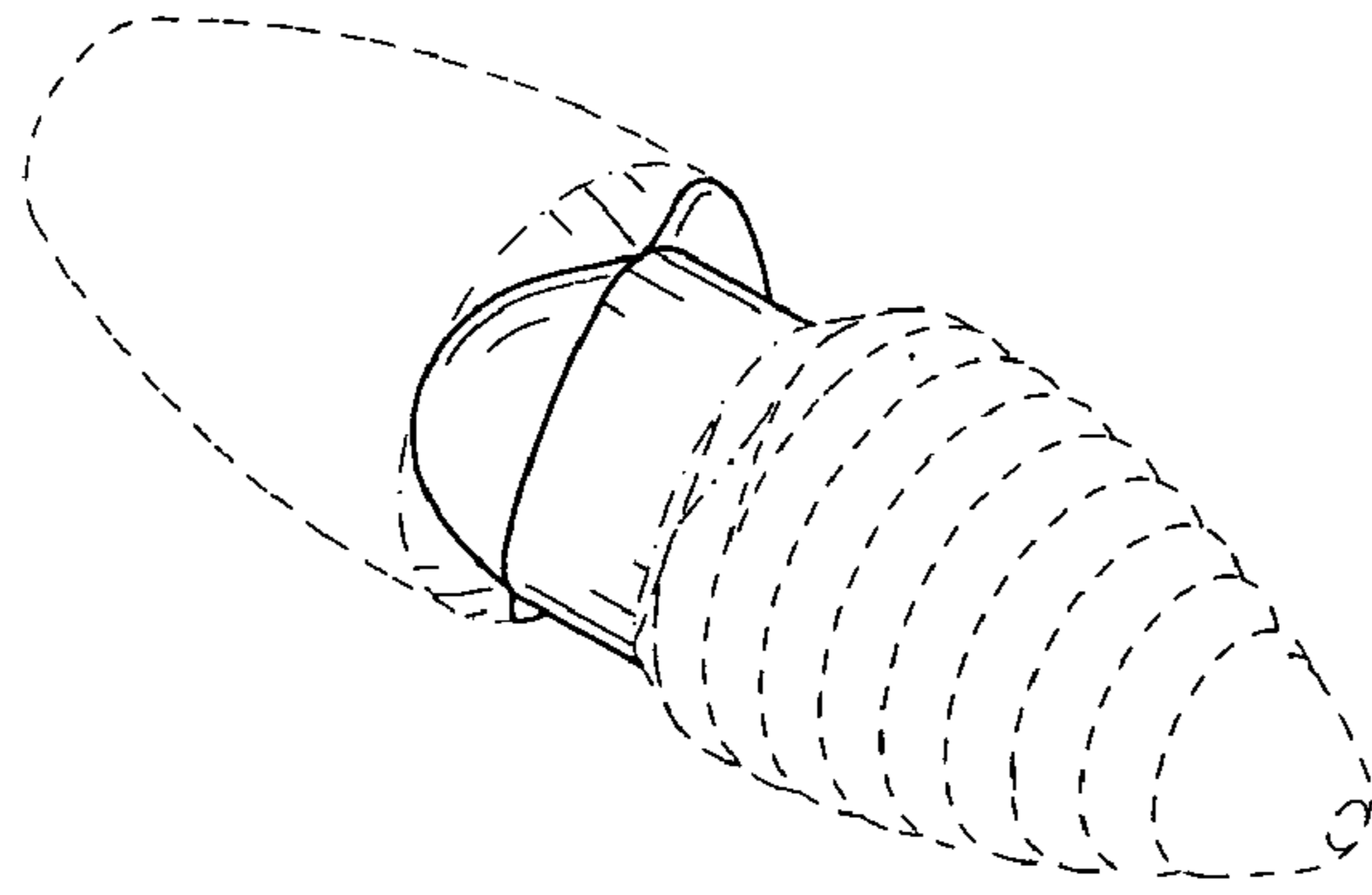


Fig. 5

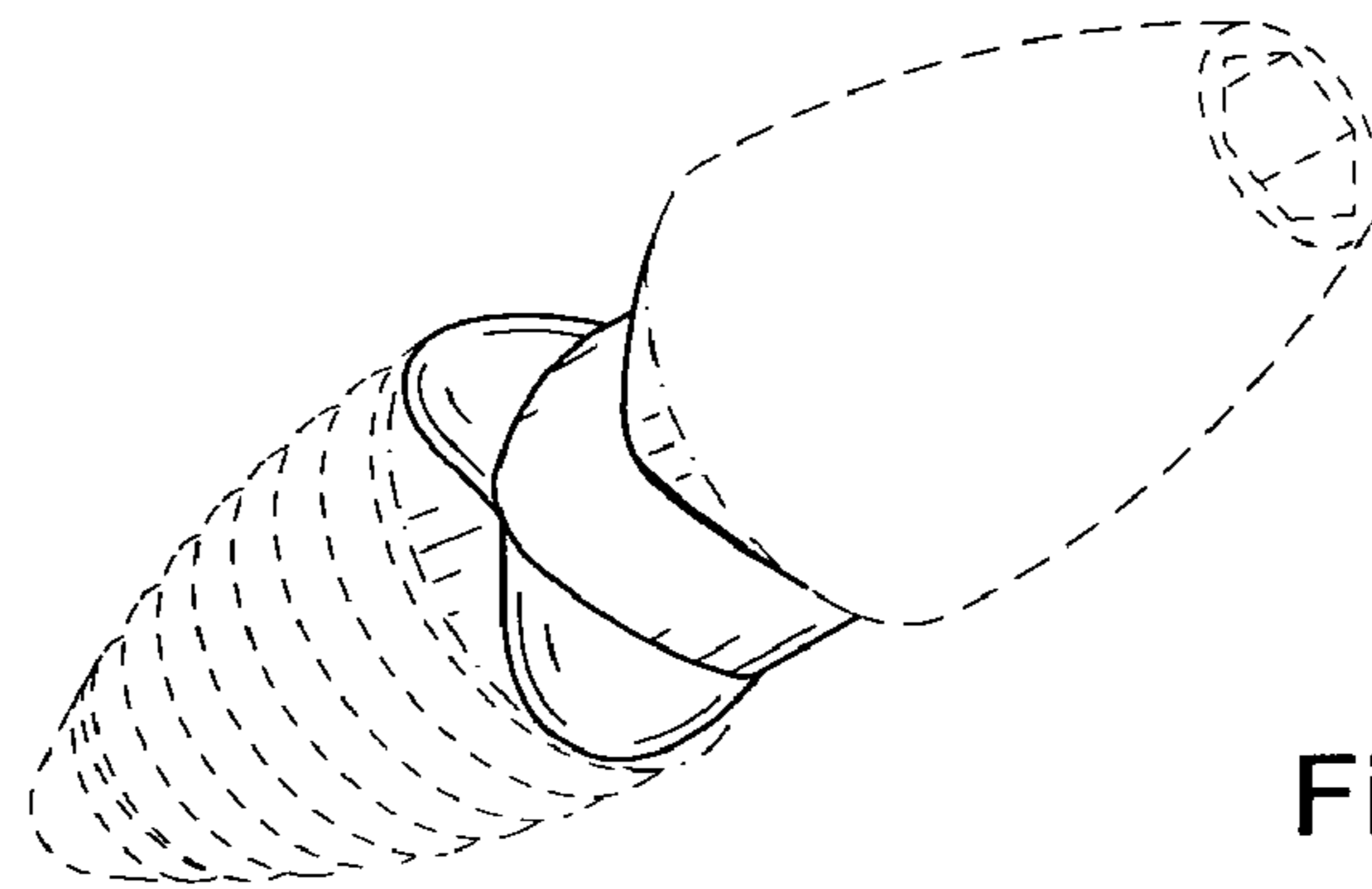


Fig. 6

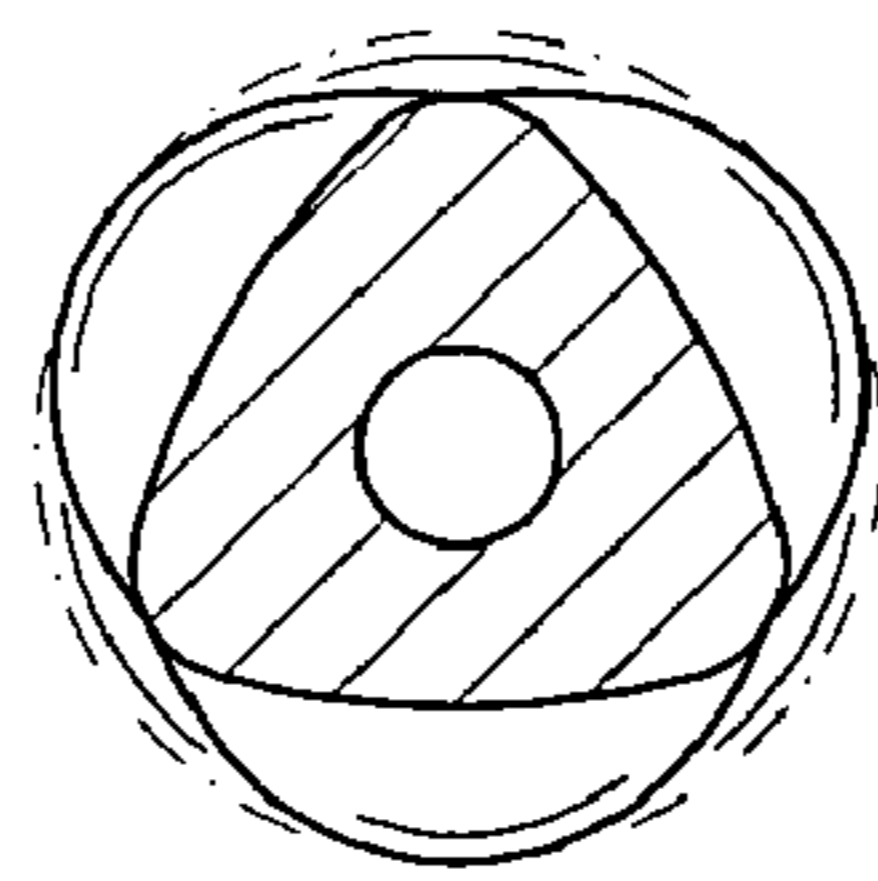


Fig. 7

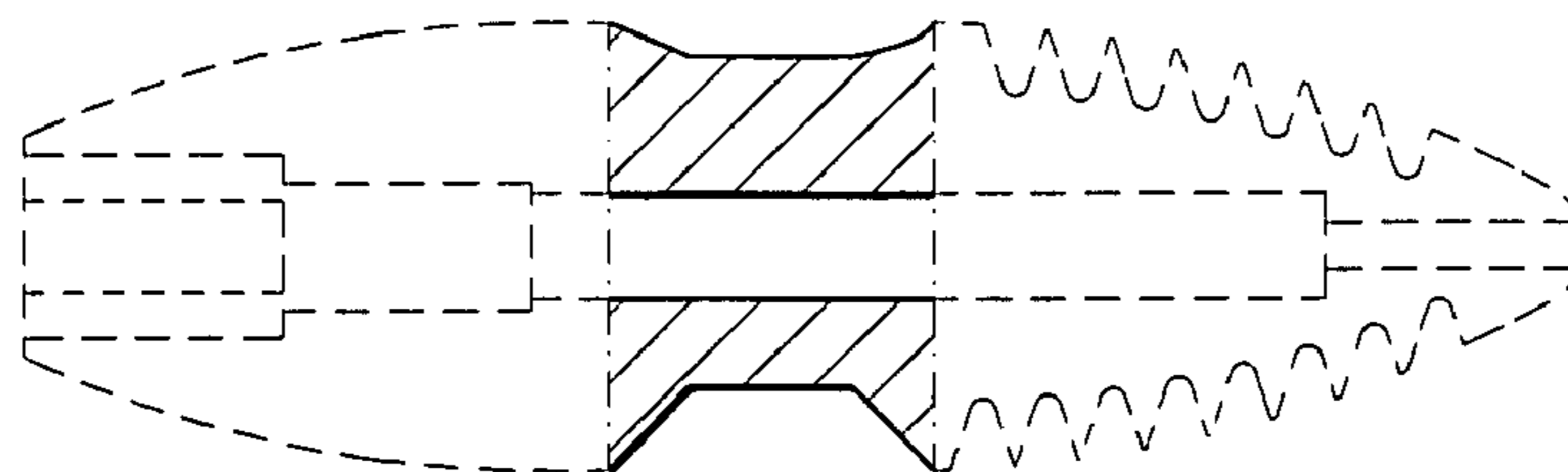


Fig. 8