



US00D583939S

(12) **United States Design Patent**  
**Simmons et al.**

(10) **Patent No.:** **US D583,939 S**

(45) **Date of Patent:** **\*\* Dec. 30, 2008**

(54) **FLEXIBLE PROTECTIVE COVER FOR PREVENTING FLUID FROM ENTERING AN OPEN EPIDERMAL SITE**

(76) Inventors: **Kathy A. Simmons**, 25323 Intrepid La., Galveston, TX (US) 77554; **Mary E. Simmons**, 25323 Intrepid La., Galveston, TX (US) 77554

(\*\*) Term: **14 Years**

(21) Appl. No.: **29/284,924**

(22) Filed: **Sep. 18, 2007**

(51) **LOC (8) Cl.** ..... **24-02**

(52) **U.S. Cl.** ..... **D24/133; D24/130; D24/128**

(58) **Field of Classification Search** ..... D24/133, D24/130, 127, 128, 189; 128/DIG. 6; 602/3, 602/79

See application file for complete search history.

(56) **References Cited**

**U.S. PATENT DOCUMENTS**

3,307,547	A *	3/1967	Jones et al.	602/79
2004/0143202	A1 *	7/2004	Artenstein	602/3
2004/0243073	A1 *	12/2004	Lockwood et al.	604/313
2005/0234485	A1 *	10/2005	Seegert et al.	606/172
2007/0265586	A1 *	11/2007	Joshi et al.	604/313

\* cited by examiner

*Primary Examiner*—Ian Simmons  
*Assistant Examiner*—Carissa C Fitts  
(74) *Attorney, Agent, or Firm*—Buskop Law Group, PC; Wendy Buskop

(57) **CLAIM**

The ornamental design for a flexible protective cover for preventing fluid from entering an open epidermal site, as shown and described.

**DESCRIPTION**

FIG. 1 depicts a perspective view of an outside surface of a flexible protective cover.

FIG. 2 depicts a perspective view of an inside surface of the flexible protective cover.

FIG. 3 depicts an elevated top view of the flexible protective cover.

FIG. 4 depicts an elevated bottom view of the flexible protective cover.

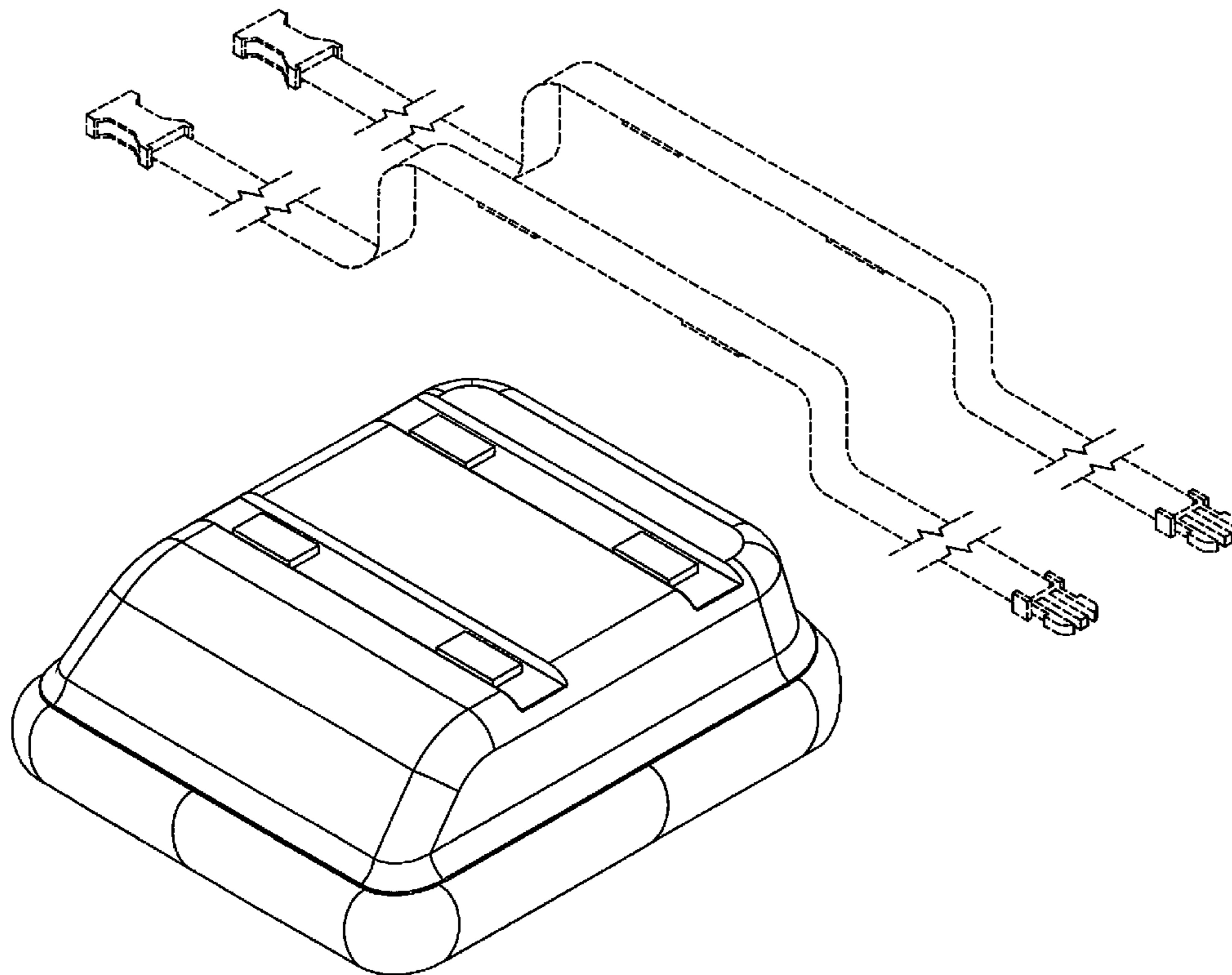
FIG. 5 depicts an elevated side view of the flexible protective cover.

FIG. 6 depicts an elevated front view of the flexible protective cover; and,

FIG. 7 depicts an elevated rear view of the flexible protective cover.

The broken line showing is for illustrative purposes only and forms no part of the claimed design.

**1 Claim, 7 Drawing Sheets**



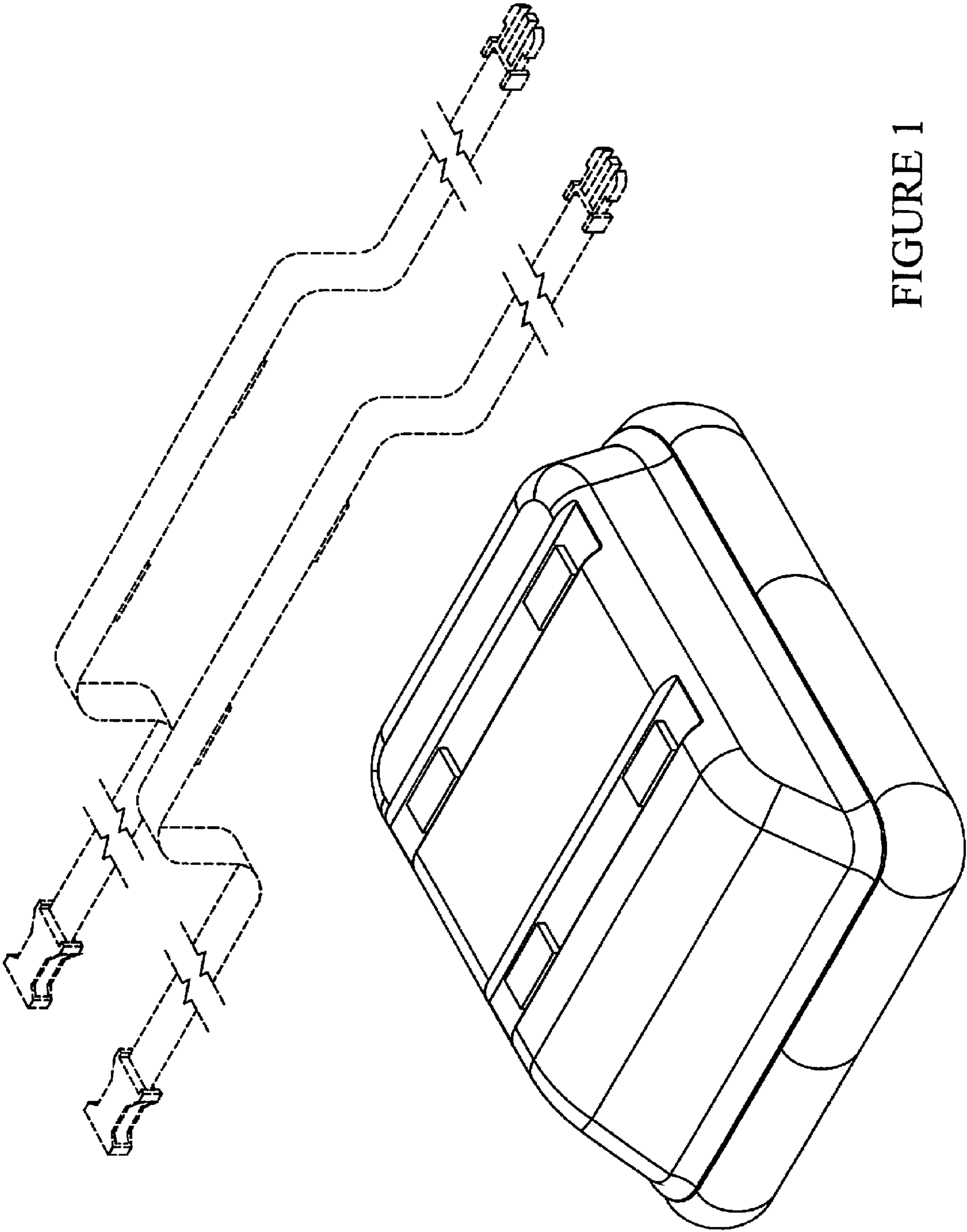


FIGURE 1

FIGURE 2

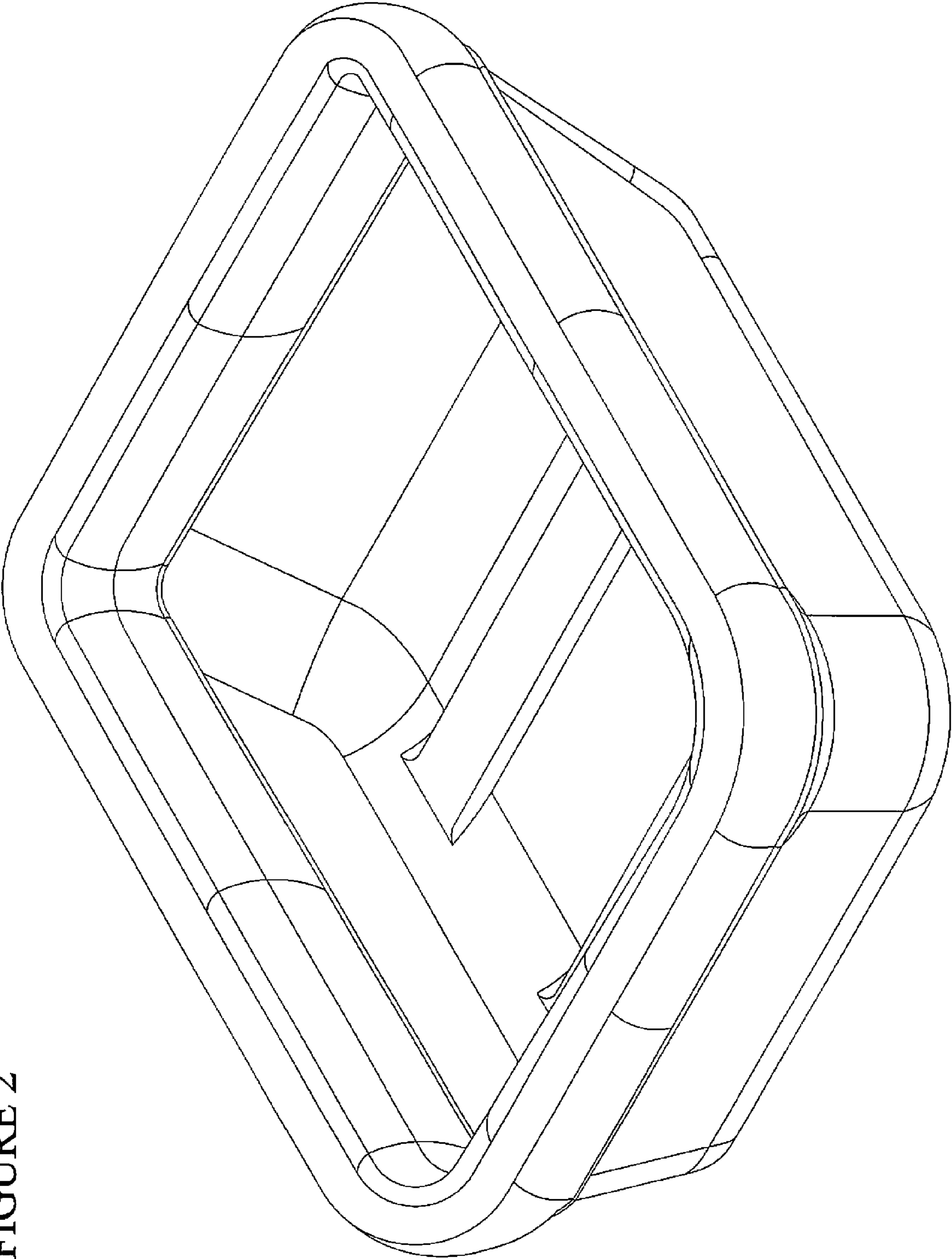


FIGURE 3

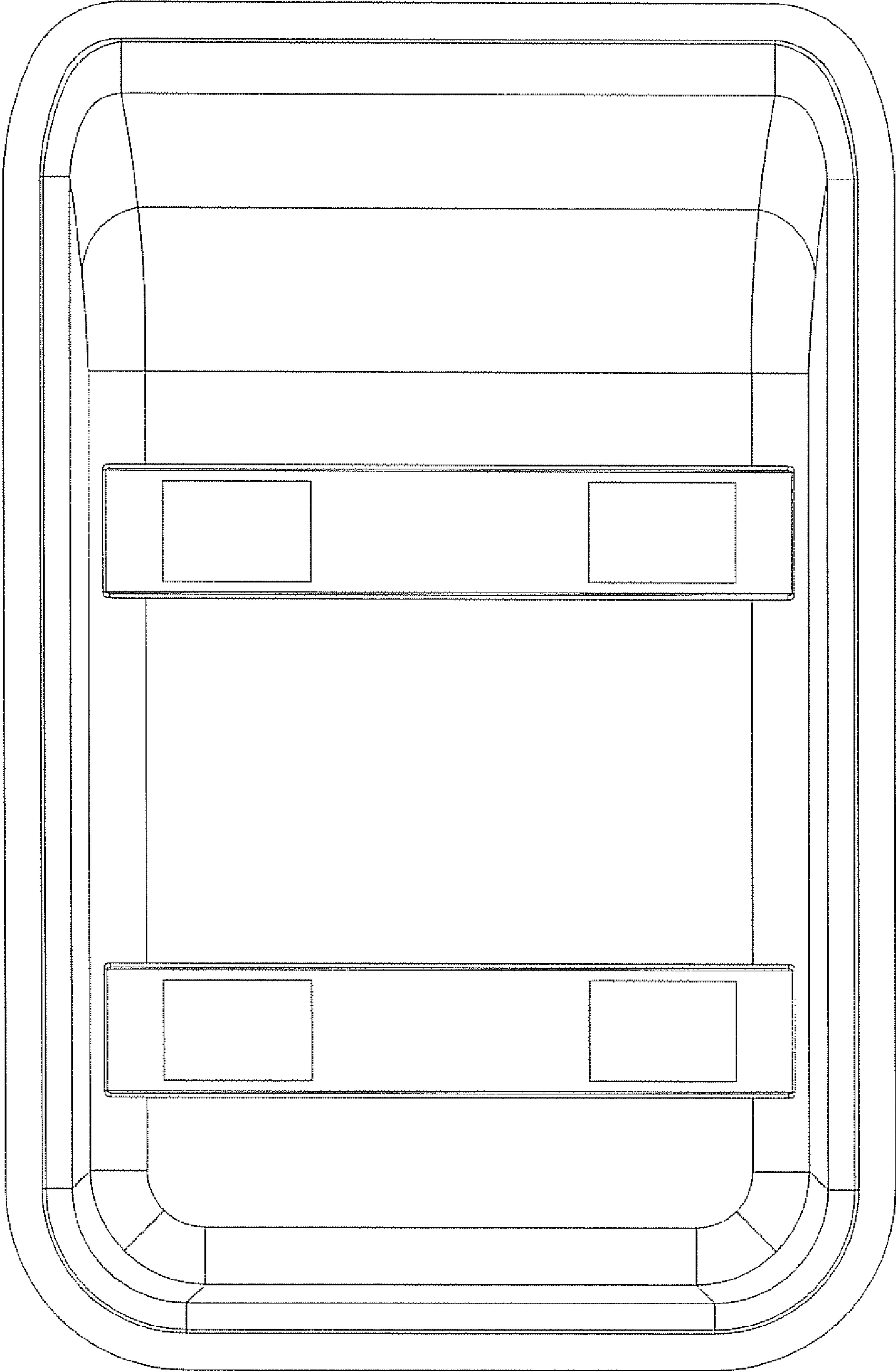




FIGURE 4

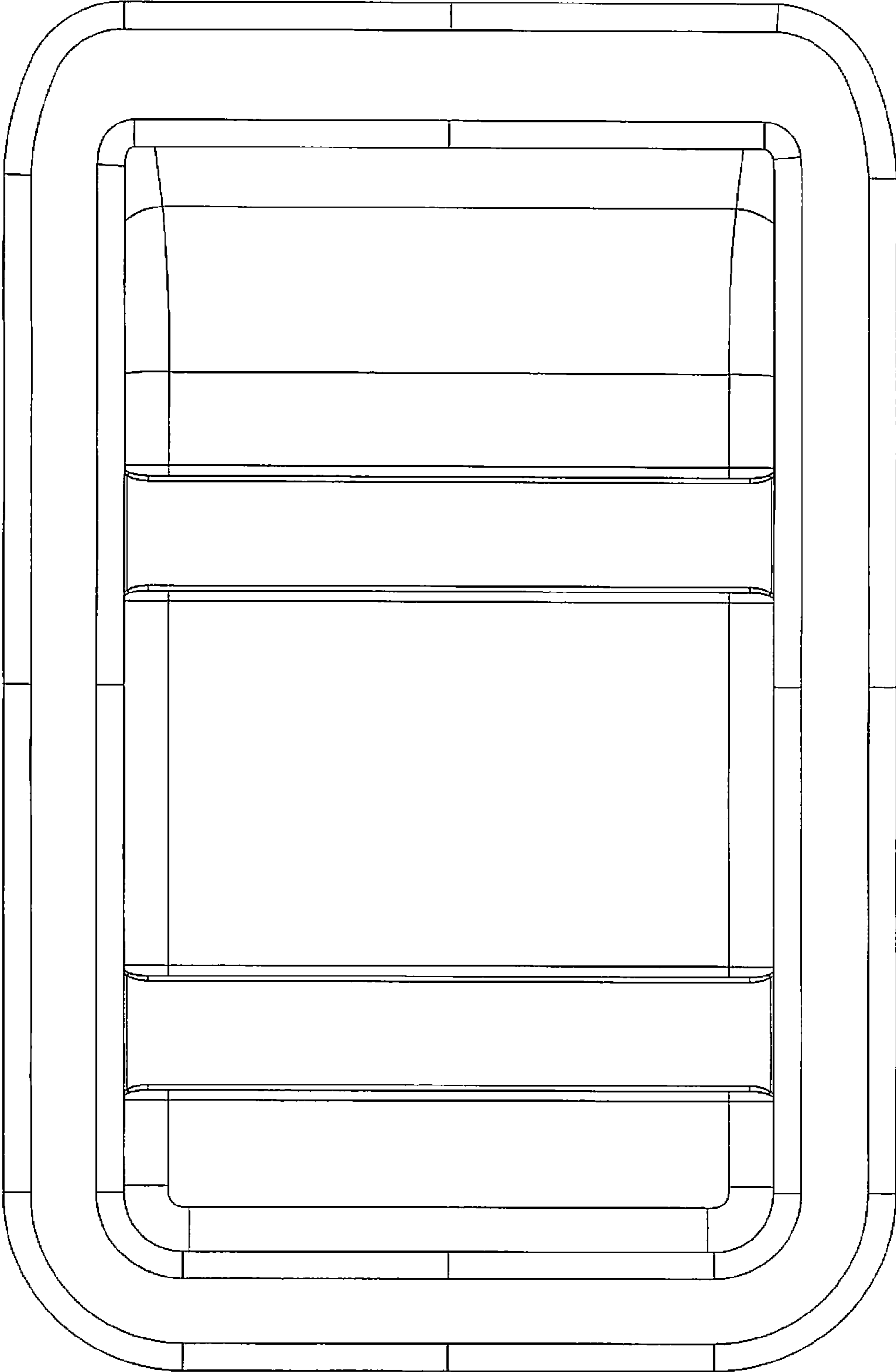


FIGURE 5

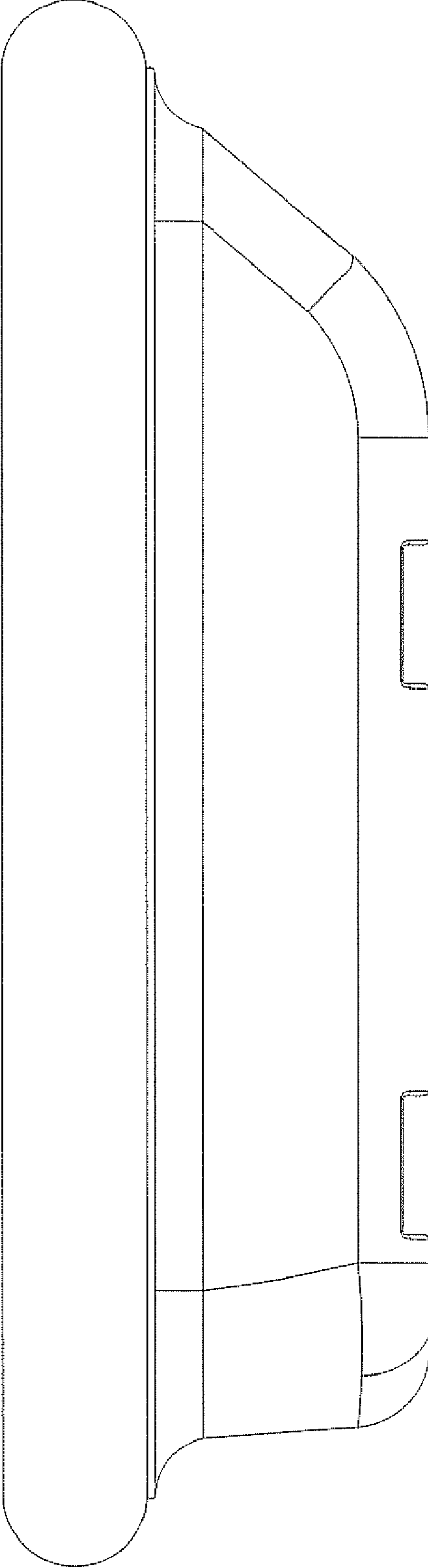


FIGURE 6

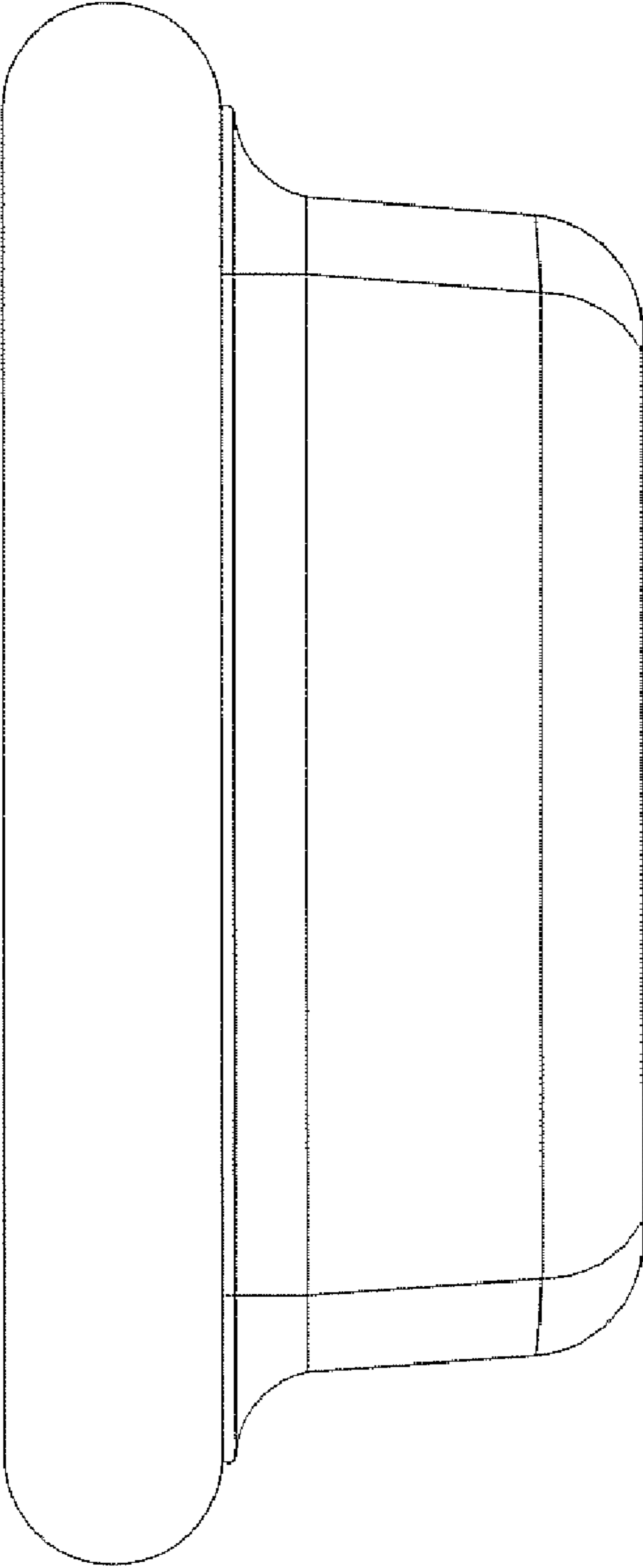


FIGURE 7

