



US00D583938S

(12) **United States Design Patent**  
**Sudo**

(10) **Patent No.:** **US D583,938 S**  
(45) **Date of Patent:** **\*\* Dec. 30, 2008**

(54) **PISTON FOR SYRINGE**

(75) Inventor: **Masamichi Sudo**, Sumida-ku (JP)

(73) Assignee: **Daikyo Seiko, Ltd.**, Tokyo (JP)

(\*\*) Term: **14 Years**

(21) Appl. No.: **29/294,100**

(22) Filed: **Dec. 21, 2007**

(51) **LOC (8) Cl.** ..... **24-02**

(52) **U.S. Cl.** ..... **D24/130**

(58) **Field of Classification Search** ..... D24/112,  
D24/114, 127-131; 206/363-364, 367; 604/54,  
604/110, 192, 263, 295

See application file for complete search history.

(56) **References Cited**

**U.S. PATENT DOCUMENTS**

D203,730	S	*	2/1966	Coanda	.....	D24/130
D205,269	S	*	7/1966	Gray	.....	D24/130
3,807,119	A	*	4/1974	Shields	.....	53/471
3,814,941	A	*	6/1974	Czaplinski	.....	250/432 R
4,299,238	A	*	11/1981	Baidwan et al.	.....	600/576
D287,053	S	*	12/1986	Bucchianeri et al.	.....	D24/130
4,775,364	A	*	10/1988	Alles	.....	604/110
4,934,379	A	*	6/1990	Marzolf et al.	.....	600/578
4,966,593	A	*	10/1990	Lennox	.....	604/198
5,885,256	A	*	3/1999	Chern et al.	.....	604/192
5,894,870	A	*	4/1999	Maxwell	.....	141/27
5,899,883	A	*	5/1999	Chern et al.	.....	604/110
D426,884	S	*	6/2000	Srisathapat et al.	.....	D24/114
6,511,459	B1	*	1/2003	Fago	.....	604/181

6,800,071	B1	*	10/2004	McConnell et al.	.....	604/155
2002/0077598	A1	*	6/2002	Yap et al.	.....	604/155
2002/0082560	A1	*	6/2002	Yang	.....	604/181
2004/0039334	A1	*	2/2004	Li	.....	604/110
2007/0107204	A1	*	5/2007	Brinkhues	.....	29/592

\* cited by examiner

*Primary Examiner*—Louis S Zarfaz

*Assistant Examiner*—Eric L Goodman

(74) *Attorney, Agent, or Firm*—Chapman and Cutler LLP

(57) **CLAIM**

The ornamental design for a piston for syringe, as shown and described.

**DESCRIPTION**

FIG. 1 is a perspective view of a piston for syringe showing my new design;

FIG. 2 is a top plan view thereof;

FIG. 3 is a front elevational view thereof, the rear elevational, right side elevational, and left side elevational views being identical thereto;

FIG. 4 is a bottom plan view thereof;

FIG. 5 is a bottom perspective view thereof;

FIG. 6 is a sectional view thereof taken along line 6—6 of FIG. 4; and,

FIG. 7 is a front elevational view thereof.

The broken lines are for illustrative purposes only and form no part of the claimed design.

**1 Claim, 1 Drawing Sheet**

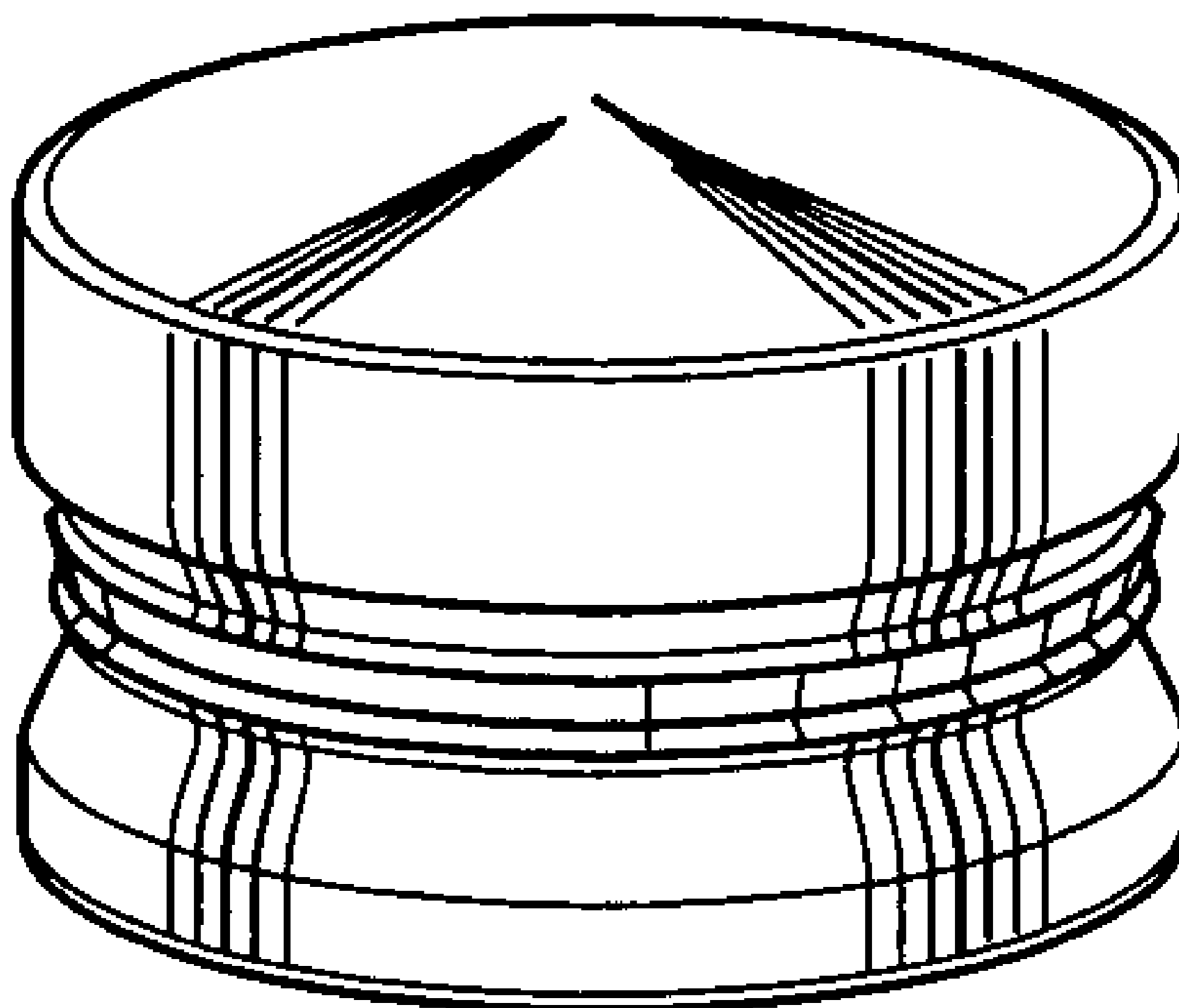


Fig. 1

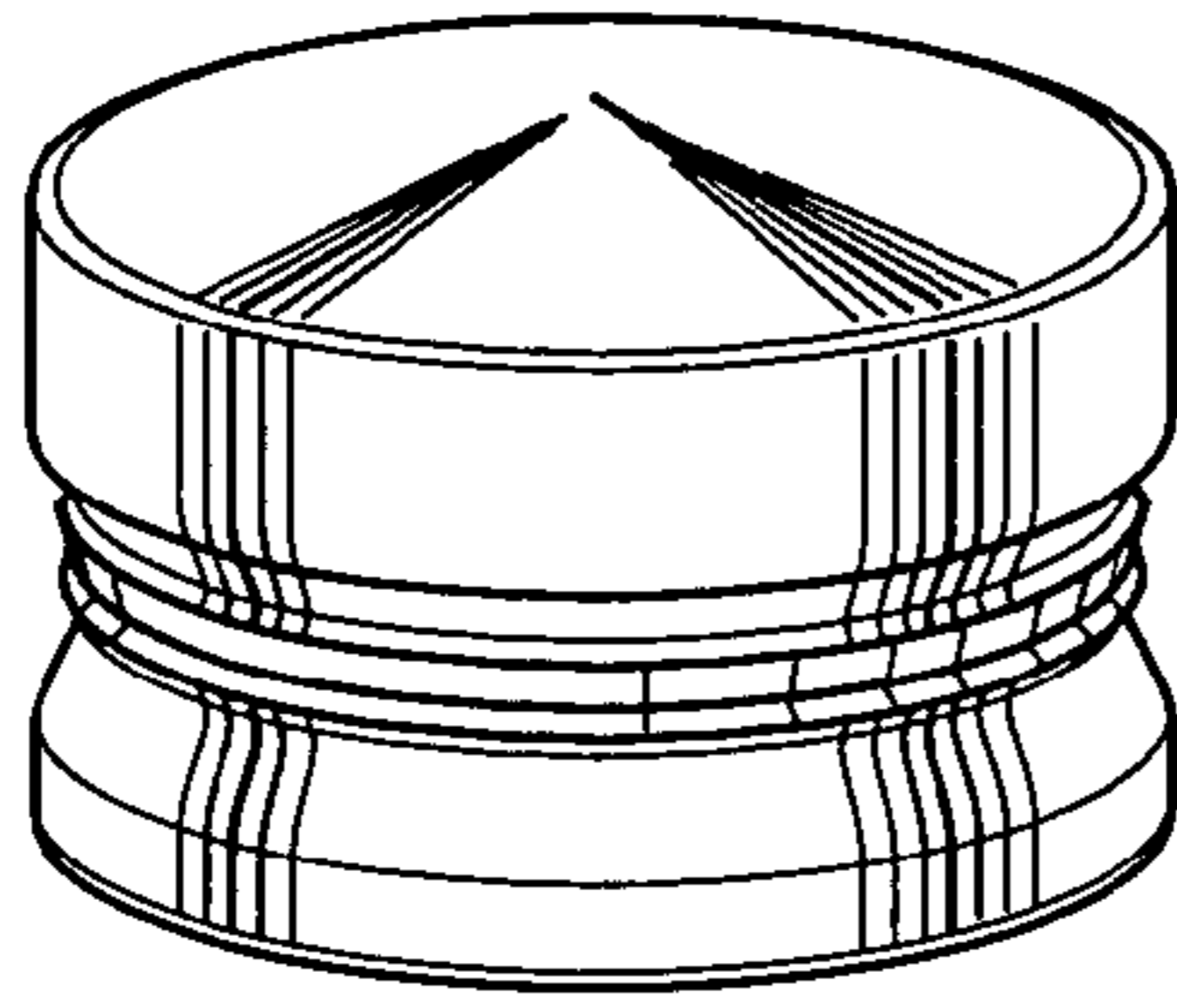


Fig. 2

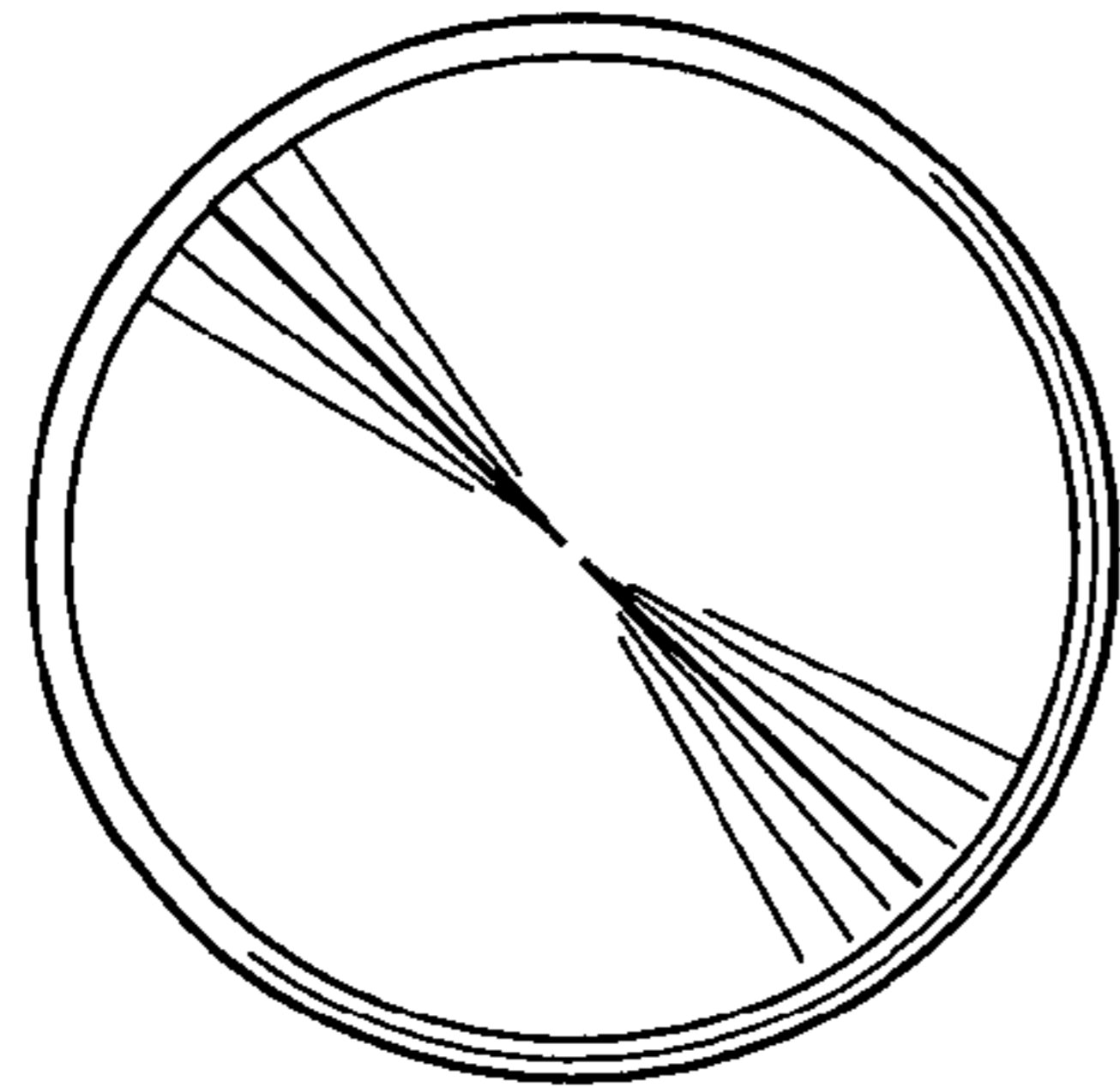


Fig. 3

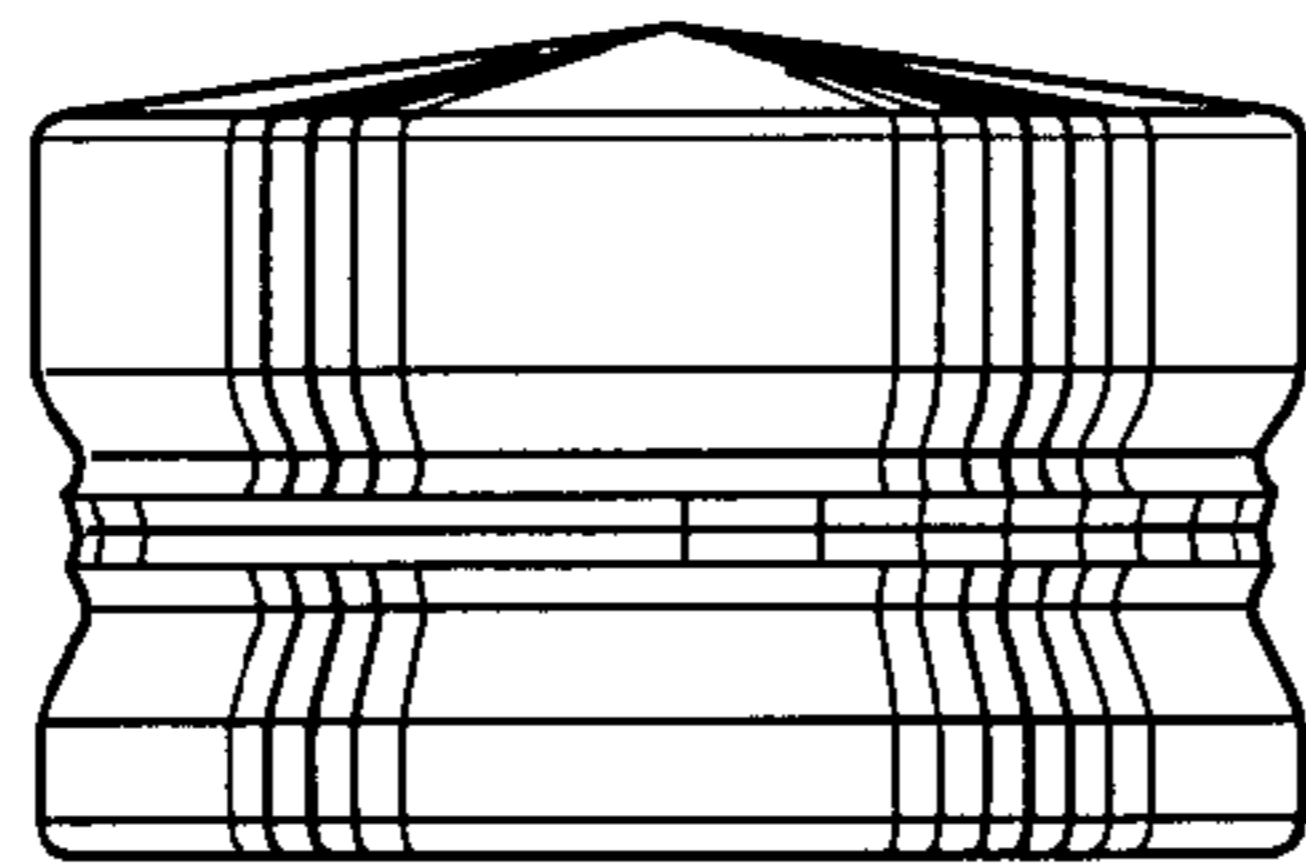


Fig. 4

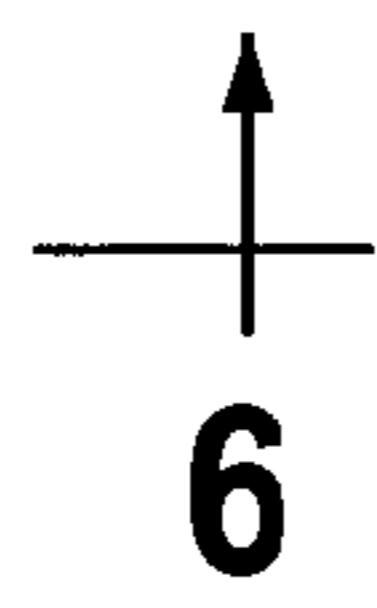
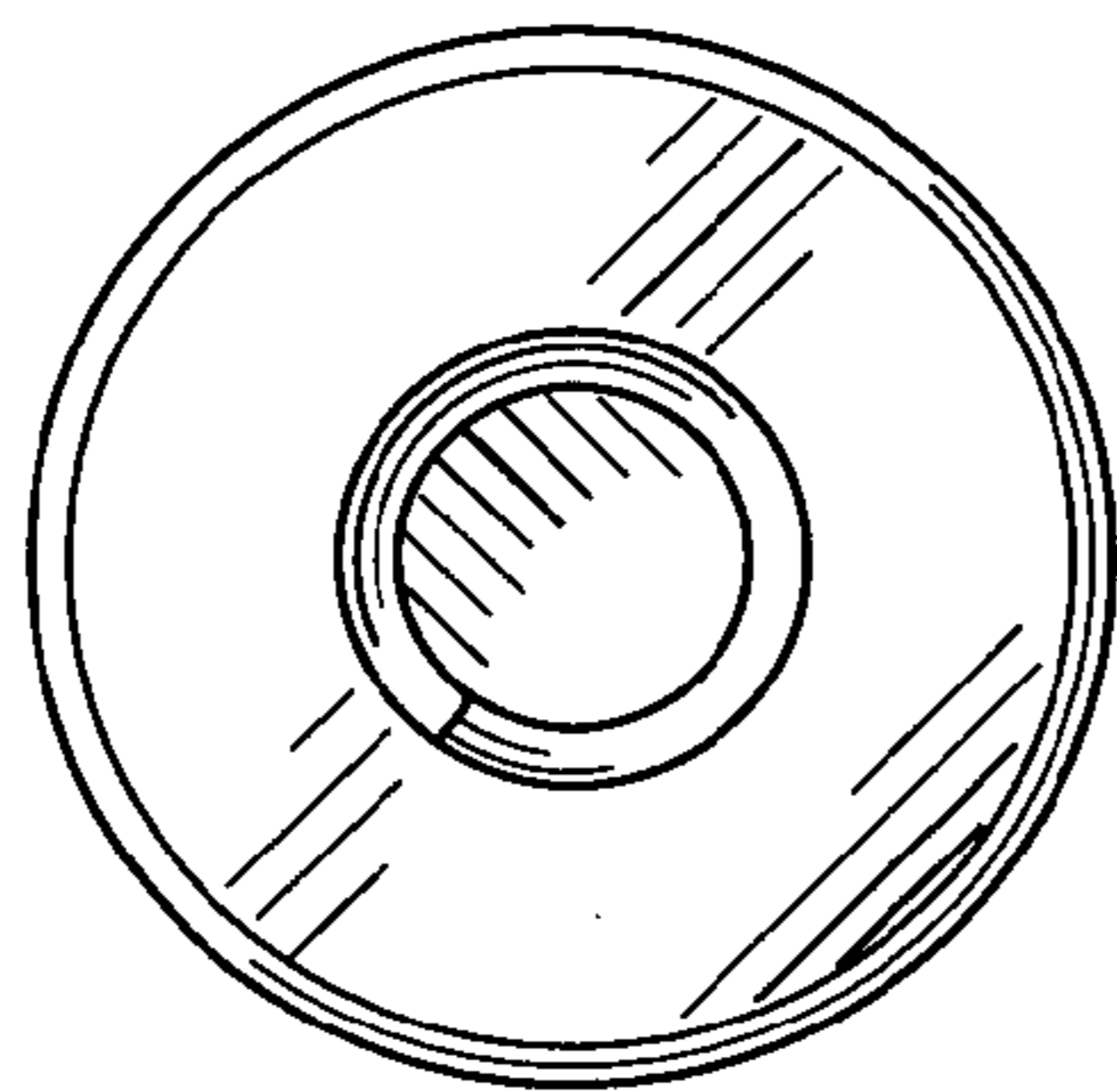
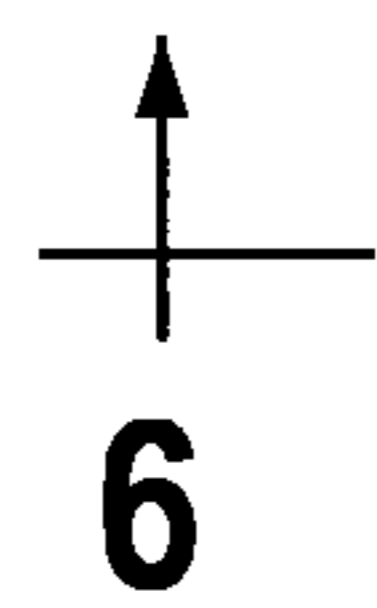


Fig. 5

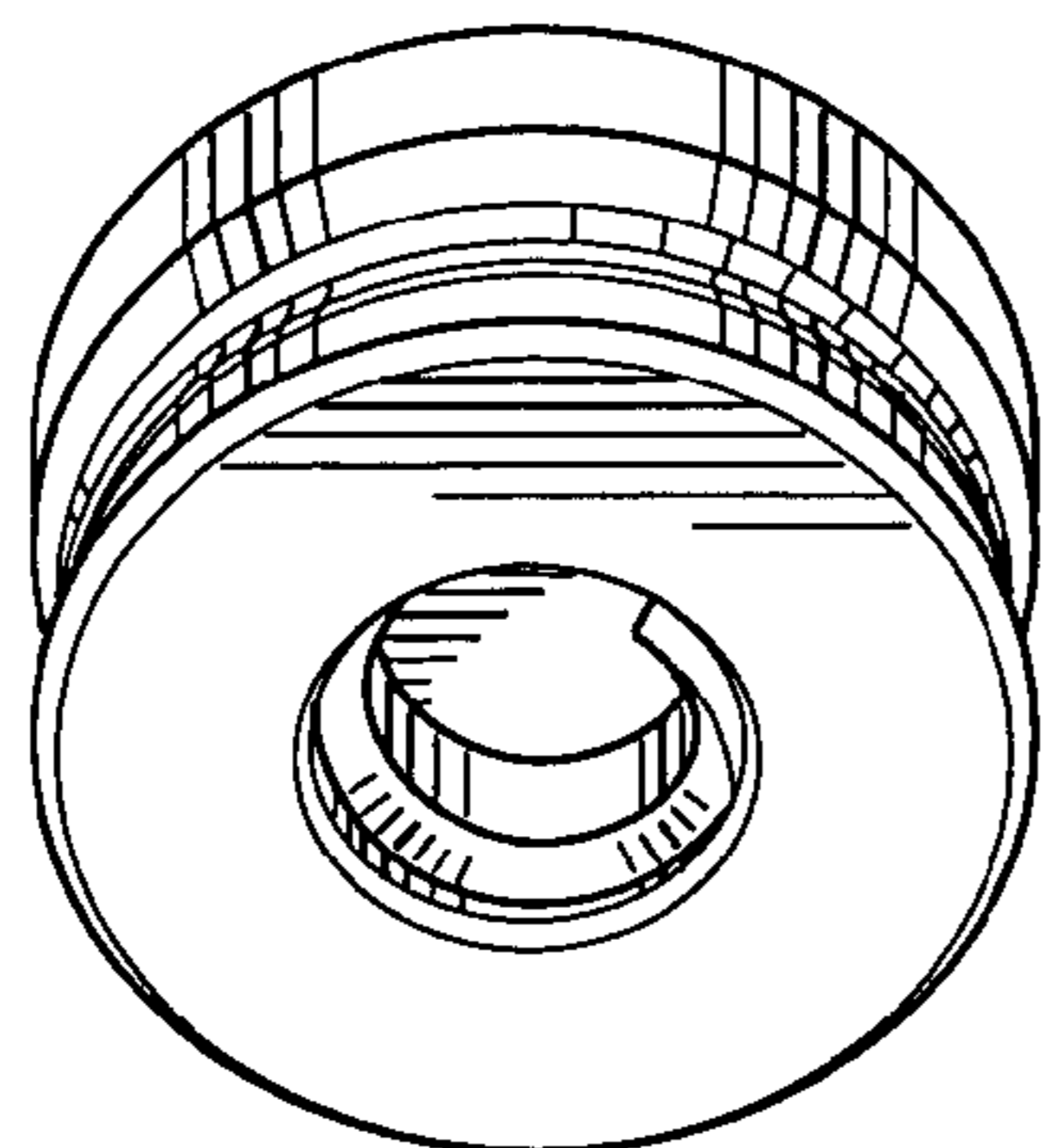


Fig. 6

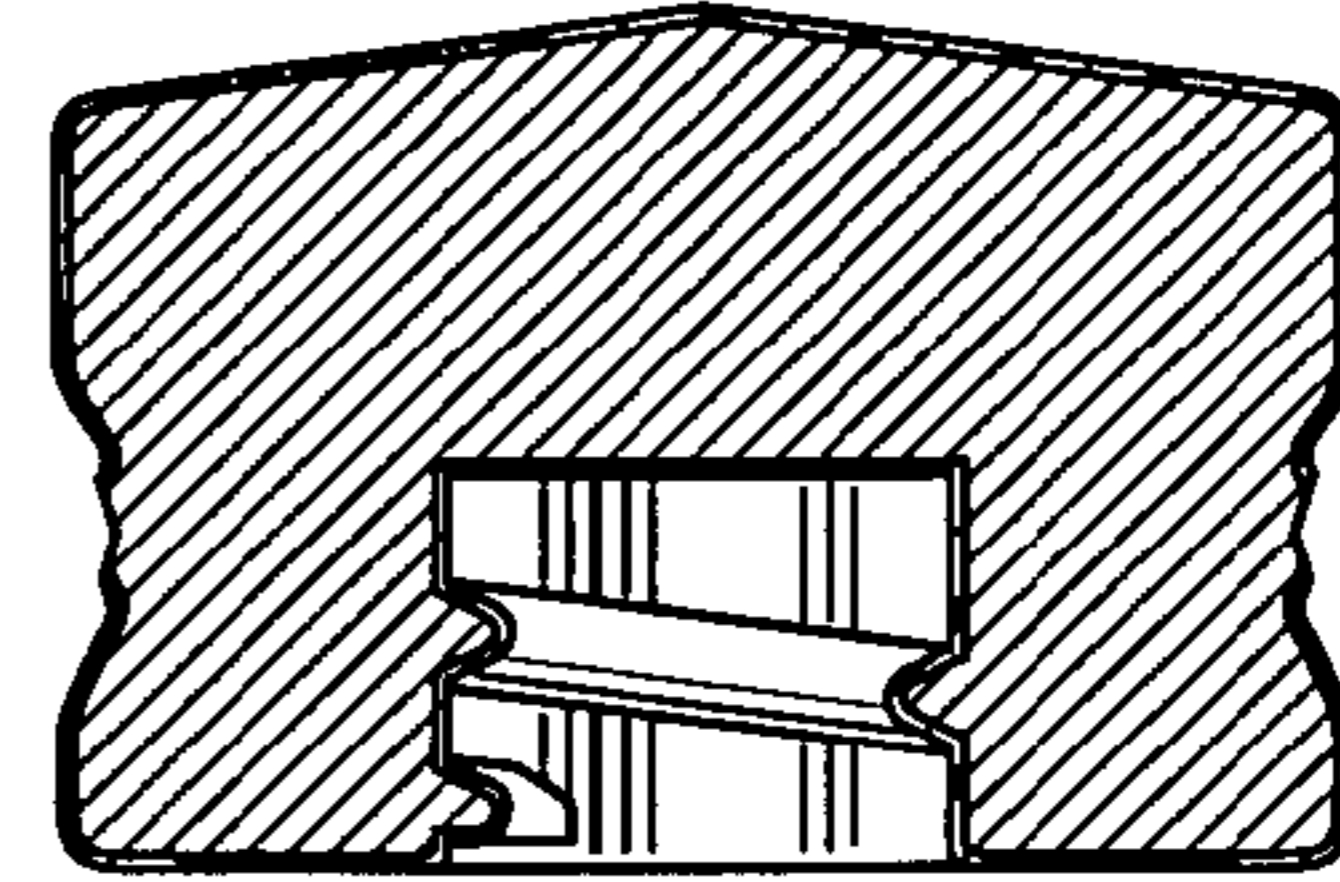


Fig. 7

