



US00D583937S

(12) **United States Design Patent**
White

(10) **Patent No.:** **US D583,937 S**
(45) **Date of Patent:** **** Dec. 30, 2008**

(54) **INFANT-PATIENT BRACELET FOB FOR I.V. ADMINISTRATION SETS**

(76) Inventor: **James E. White**, 4127 E. Churchill, Springfield, MO (US) 65809

(**) Term: **14 Years**

(21) Appl. No.: **29/291,400**

(22) Filed: **Aug. 28, 2007**

Related U.S. Application Data

(63) Continuation-in-part of application No. 29/243,805, filed on Nov. 30, 2005, now Pat. No. Des. 550,353.

(51) **LOC (8) Cl.** **24-02**

(52) **U.S. Cl.** **D24/128**

(58) **Field of Classification Search** D24/127-130, D24/191, 112, 114; 128/DIG. 15, DIG. 26; 604/174, 176, 180, 241-242

See application file for complete search history.

(56) **References Cited**

U.S. PATENT DOCUMENTS

D217,702 S	5/1970	Volk et al.	D24/129
D217,795 S	6/1970	Spaven et al.	D24/129
3,630,195 A	12/1971	Santomieri	604/180
D223,043 S	2/1972	Ratner	D24/112
D258,387 S	2/1981	De Frank	D24/128
D290,041 S	5/1987	Scott	D24/128
4,662,873 A *	5/1987	Lash et al.	604/179
4,878,897 A	11/1989	Katzin	604/86
5,084,026 A	1/1992	Shapiro	604/179
5,116,324 A	5/1992	Brierley et al.	604/180
5,316,246 A	5/1994	Scott et al.	248/68.1
5,470,321 A	11/1995	Forster et al.	604/174
5,643,216 A	7/1997	White	604/174
5,693,032 A *	12/1997	Bierman	604/180
D414,872 S	10/1999	Doyle	D24/191

D457,240 S	5/2002	Islava	D24/130
6,500,154 B1 *	12/2002	Hakky et al.	604/174
D484,592 S	12/2003	Ryhman et al.	D24/128
D539,906 S *	4/2007	White	D24/128
D543,277 S *	5/2007	White	D24/128
D550,353 S *	9/2007	White	D24/128
2002/0133121 A1	9/2002	Bierman	604/174
2004/0167475 A1	8/2004	Wright et al.	604/180
2007/0142782 A2 *	6/2007	Bierman	604/174
2007/0282273 A1 *	12/2007	Bierman	604/174

* cited by examiner

Primary Examiner—Louis S Zarfaz

Assistant Examiner—Eric L Goodman

(74) *Attorney, Agent, or Firm*—Jonathan A. Bay

(57) **CLAIM**

The ornamental design for an infant-patient bracelet fob for I.V. administration sets, as shown and described.

DESCRIPTION

FIG. 1 is a perspective view thereof an infant-patient bracelet fob for I.V. administration sets;

FIG. 2 is a top plan view thereof;

FIG. 3 is a rear elevational view thereof;

FIG. 4 is a front elevational view thereof;

FIG. 5 is a left side elevational view thereof;

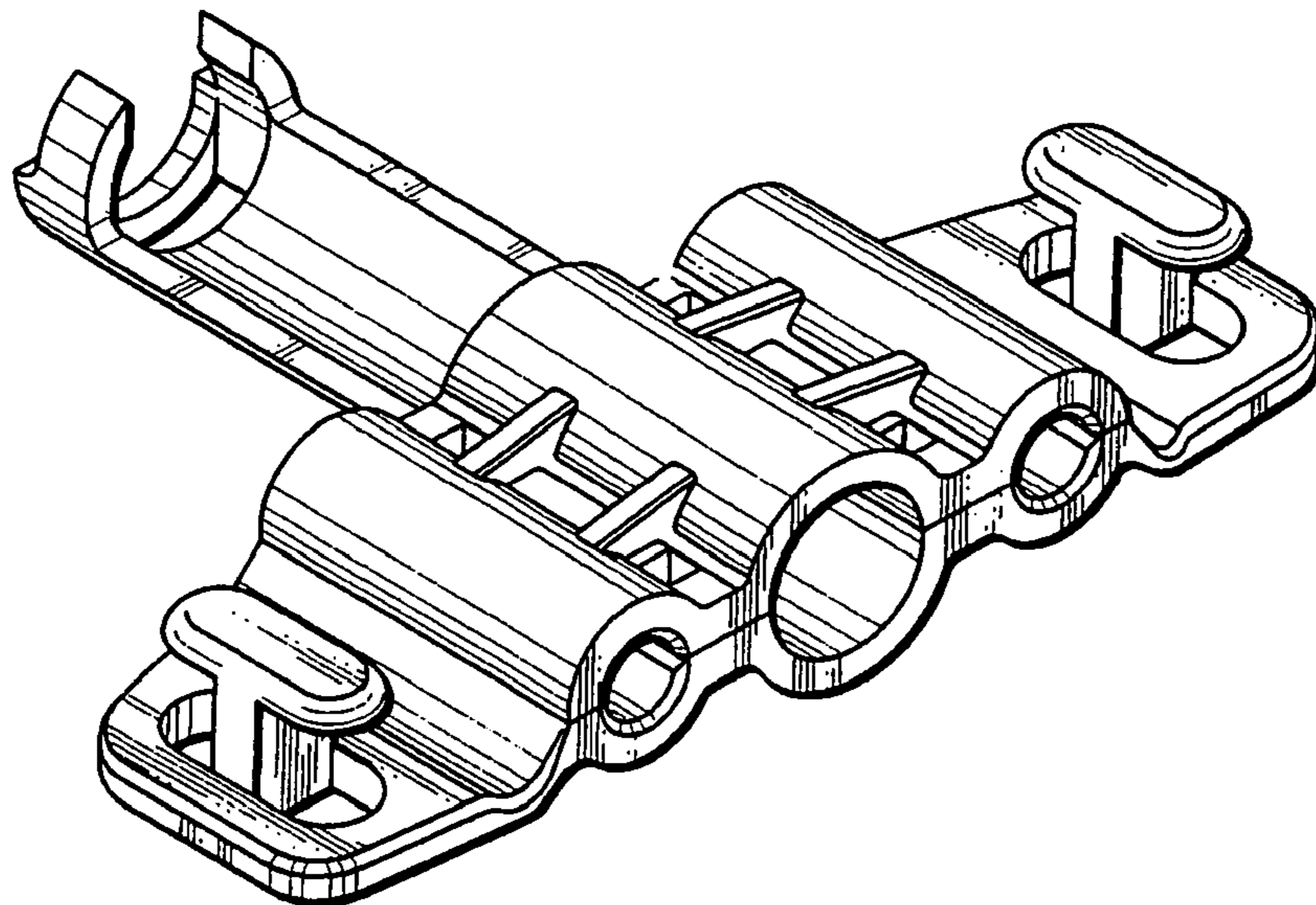
FIG. 6 is a right side elevational view thereof;

FIG. 7 is a bottom plan view thereof; and,

FIG. 8 is a perspective view comparable to FIG. 1 except showing I.V. tubing and apertured elastic banding in broken lines for illustrative purposes only and forming no part of the claimed design; and,

FIG. 9 is an exploded view of FIG. 1.

1 Claim, 5 Drawing Sheets



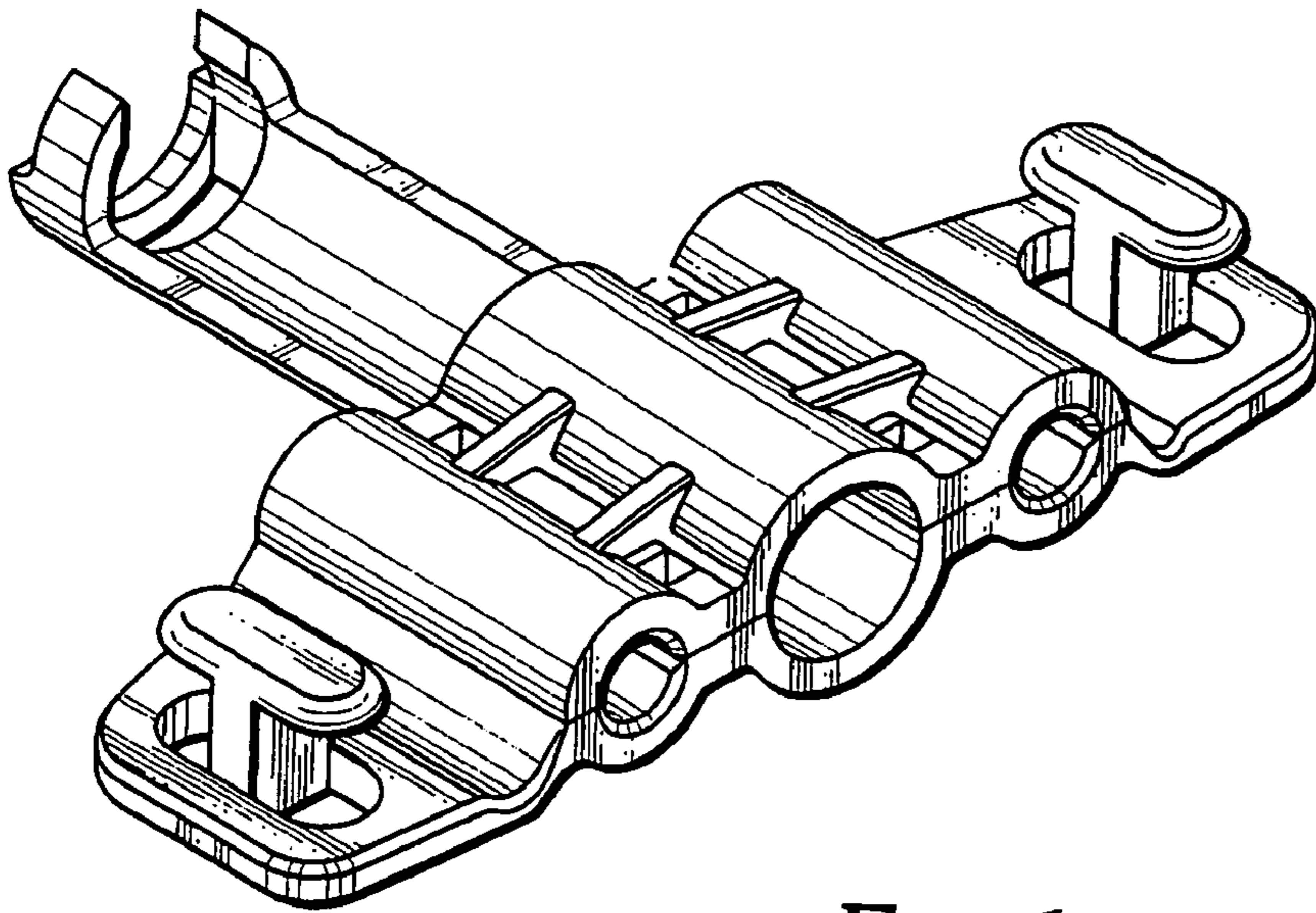


FIG. 1.

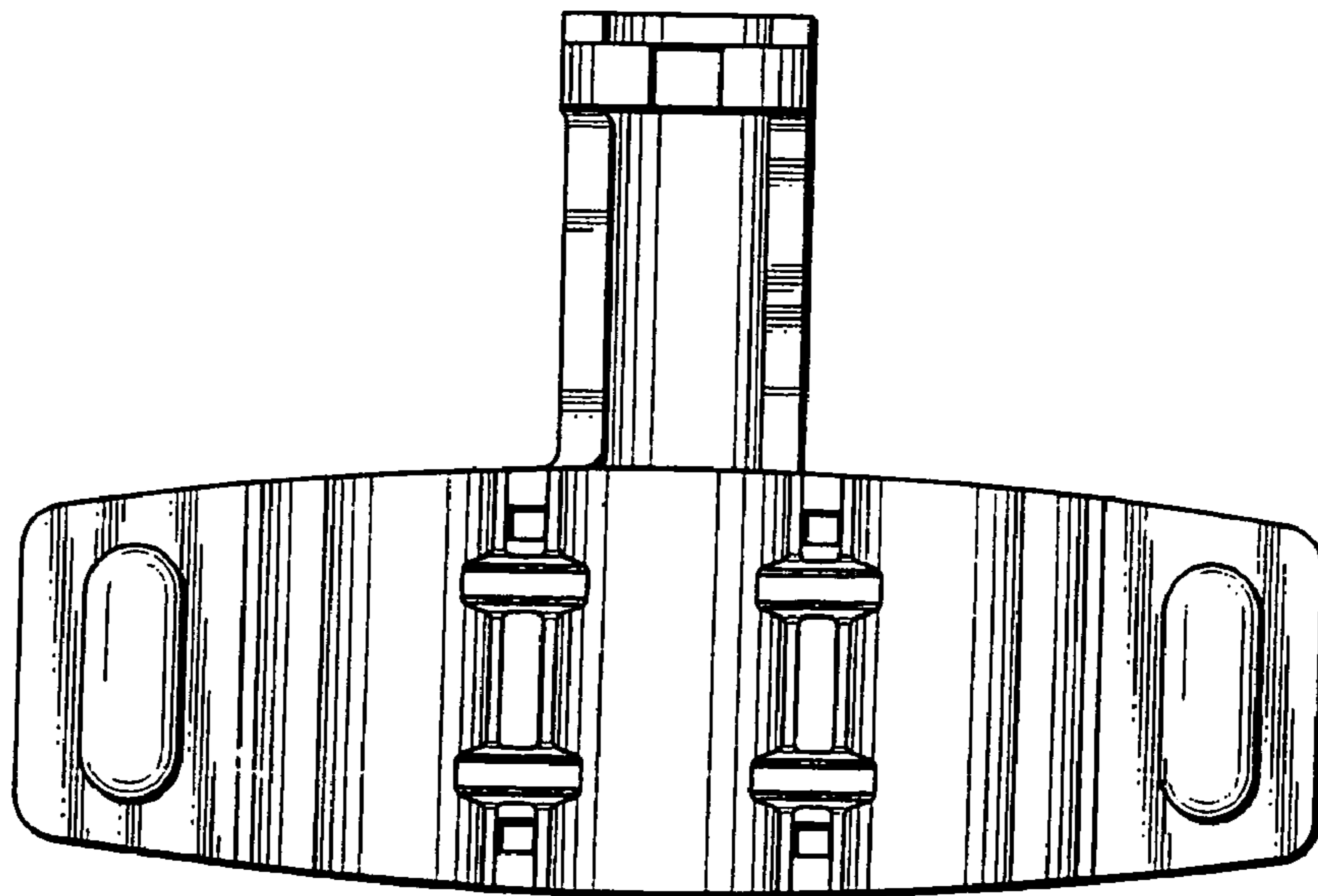


FIG. 2.

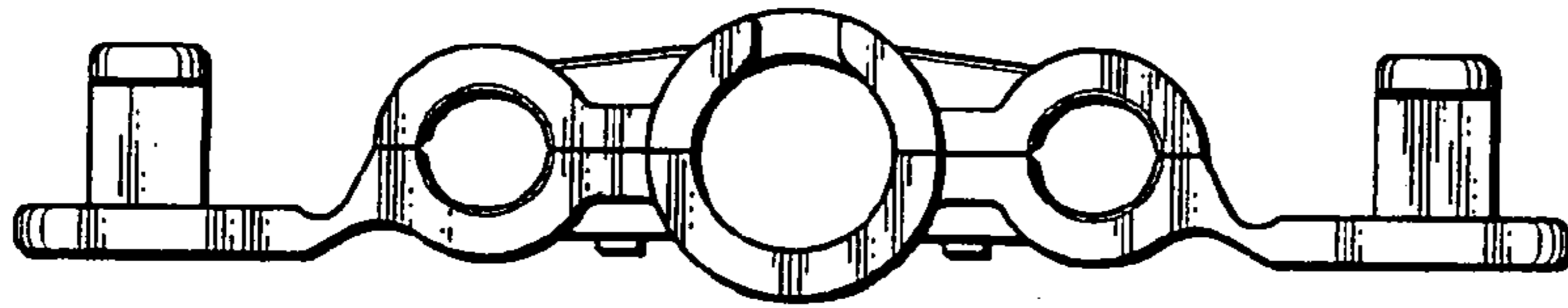


FIG. 3.

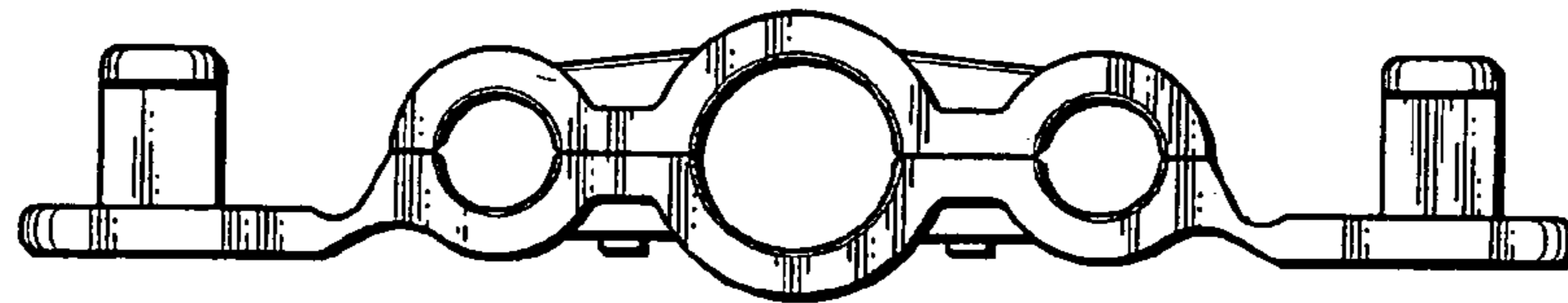


FIG. 4.

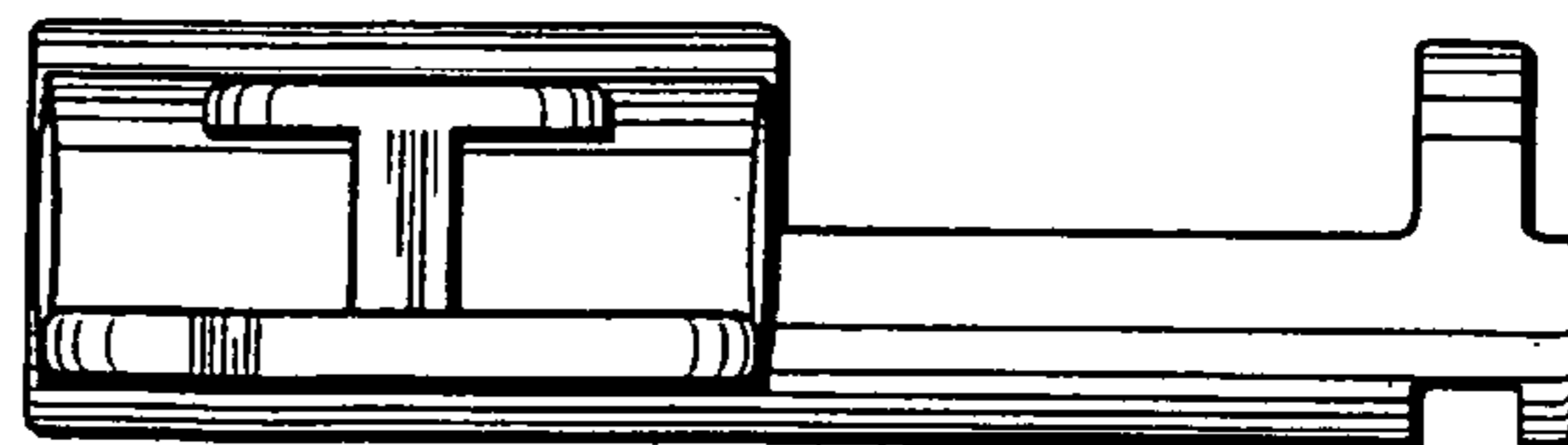


FIG. 5.

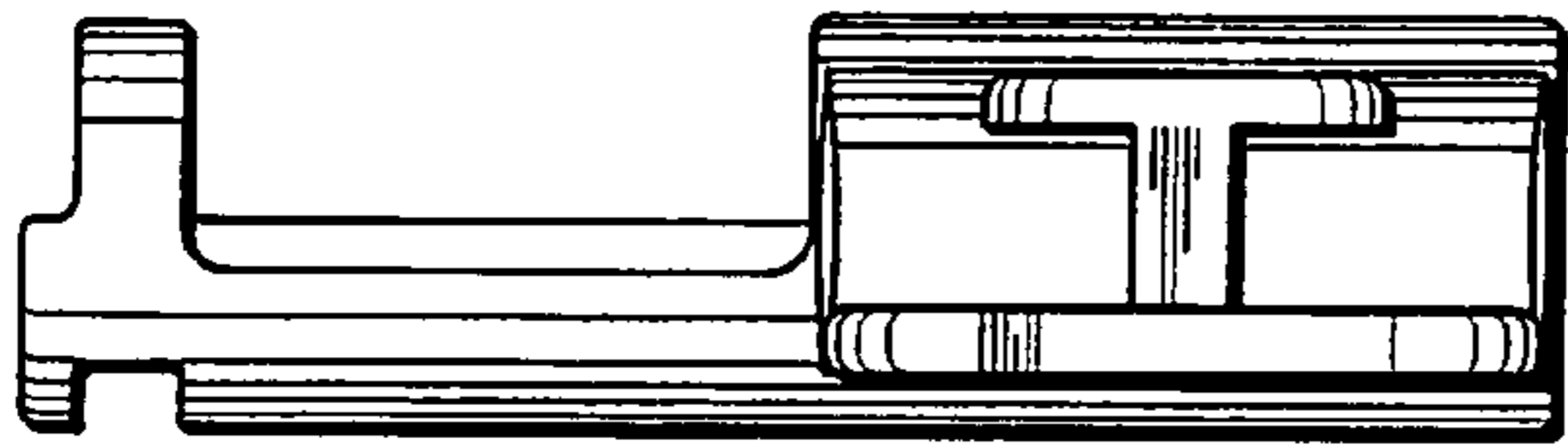


FIG. 6.

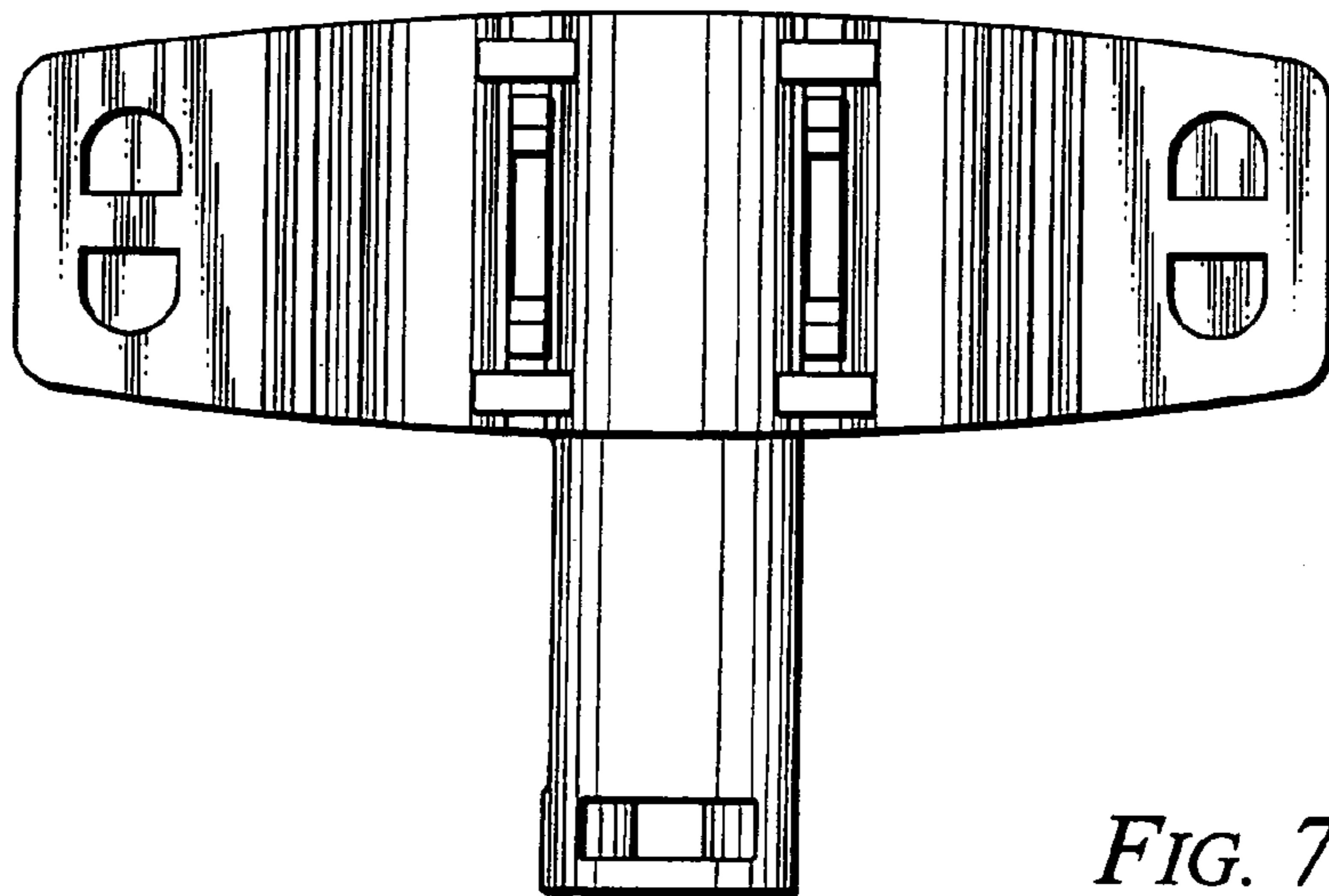


FIG. 7.

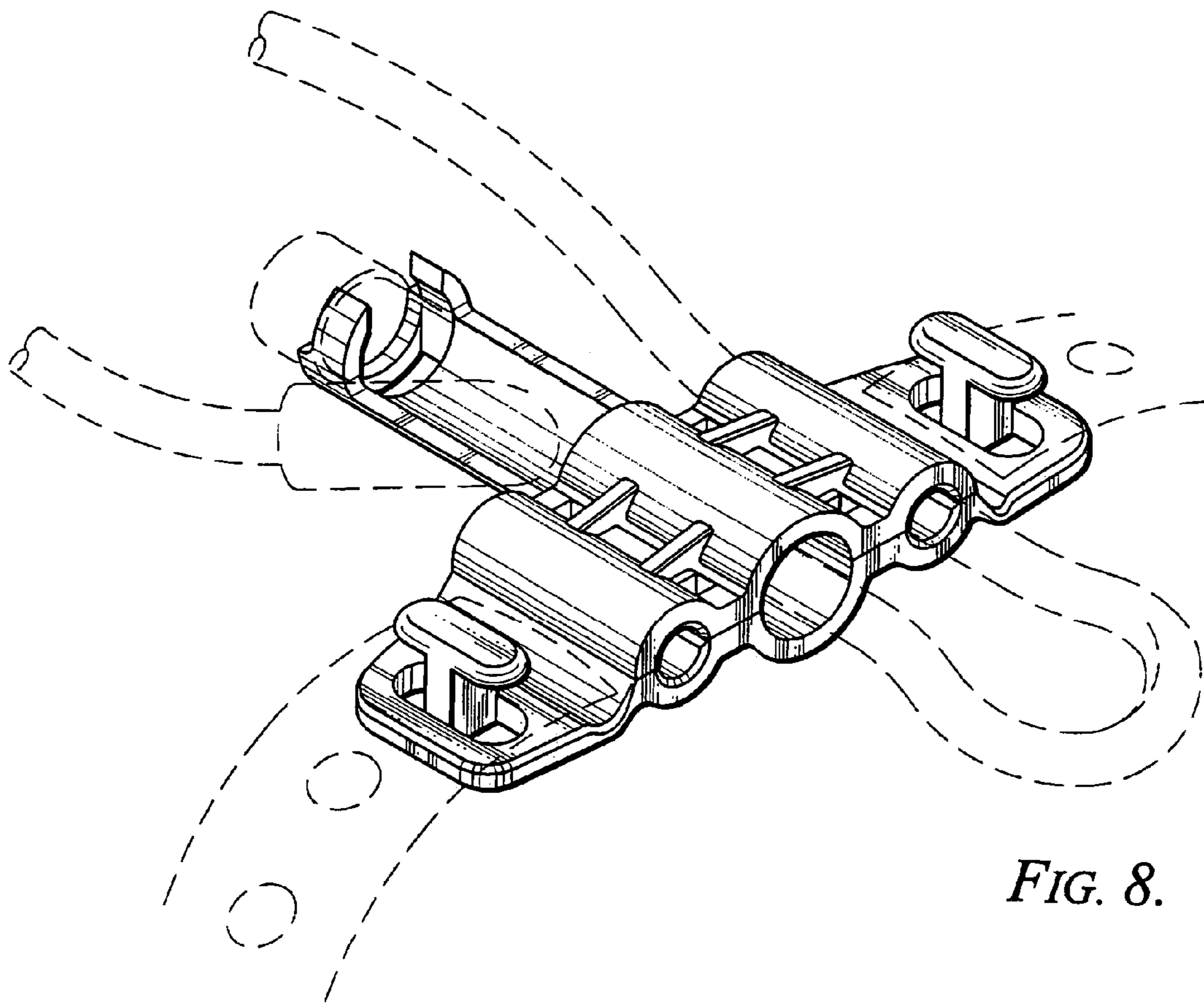


FIG. 8.

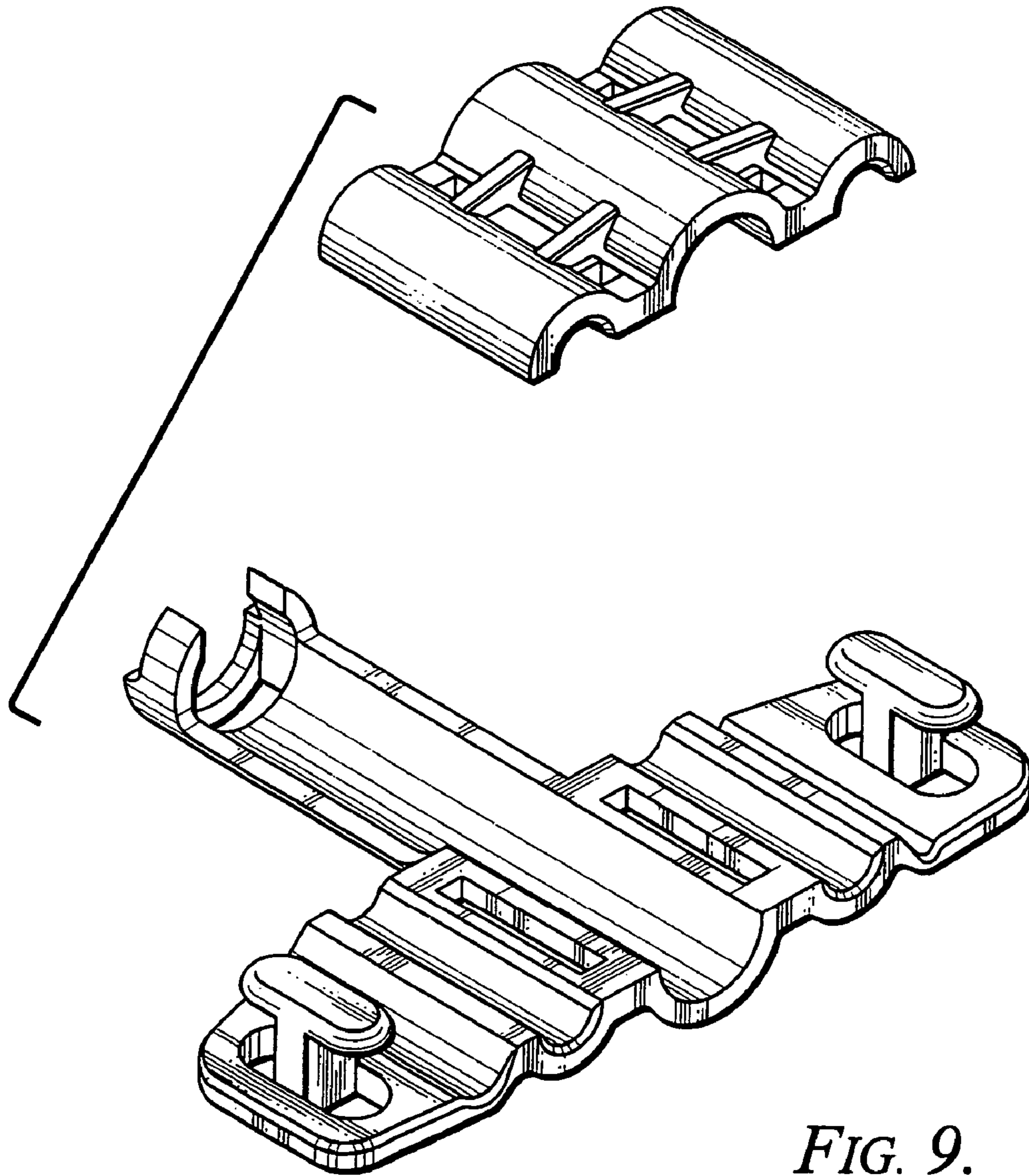


FIG. 9.