



US00D583931S

(12) **United States Design Patent**
Rosenkranz et al.

(10) **Patent No.:** **US D583,931 S**
(45) **Date of Patent:** **** Dec. 30, 2008**

(54) **NASAL MASK**

(75) Inventors: **Mark E. Rosenkranz**, Parma, OH (US);
Tom Sprinkle, Rocky River, OH (US);
Mary B. Whitesel, Grafton, OH (US);
Valentine A. Hodos, Cleveland, OH
(US); **Neal J. Curran**, Lakewood, OH
(US)

(73) Assignee: **Invacare Corporation**, Elyria, OH (US)

(**) Term: **14 Years**

(21) Appl. No.: **29/203,730**

(22) Filed: **Apr. 16, 2004**

Related U.S. Application Data

(63) Continuation-in-part of application No. 29/157,682,
filed on Mar. 22, 2002, now abandoned.

(51) **LOC (8) Cl.** **29-02**

(52) **U.S. Cl.** **D24/110.4; D24/110.1**

(58) **Field of Classification Search** **D24/110.1,**
D24/110.4, 110.5

See application file for complete search history.

(56) **References Cited**

U.S. PATENT DOCUMENTS

697,762 A 4/1902 White

(Continued)

FOREIGN PATENT DOCUMENTS

AU A-32914/95 2/1996

(Continued)

Primary Examiner—Ian Simmons

Assistant Examiner—Christopher Lee

(74) *Attorney, Agent, or Firm*—Calfee, Halter & Griswold,
LLP

(57) **CLAIM**

The ornamental design for a nasal mask, as shown and described.

DESCRIPTION

FIG. 1 is a perspective view of a first embodiment of a nasal mask showing the new design;

FIG. 2 is a side view thereof;

FIG. 3 is a front view thereof;

FIG. 4 is other side view thereof;

FIG. 5 is a back view thereof;

FIG. 6 is a bottom view thereof; and

FIG. 7 is a top view;

FIG. 8 is a perspective view of a second embodiment of a nasal mask;

FIG. 9 is a side view thereof;

FIG. 10 is a front view thereof;

FIG. 11 is other side view thereof;

FIG. 12 is a back view thereof;

FIG. 13 is a bottom view thereof;

FIG. 14 is a top view;

FIG. 15 is a perspective view of a third embodiment of a nasal mask;

FIG. 16 is a side view thereof;

FIG. 17 is a front view thereof;

FIG. 18 is other side thereof;

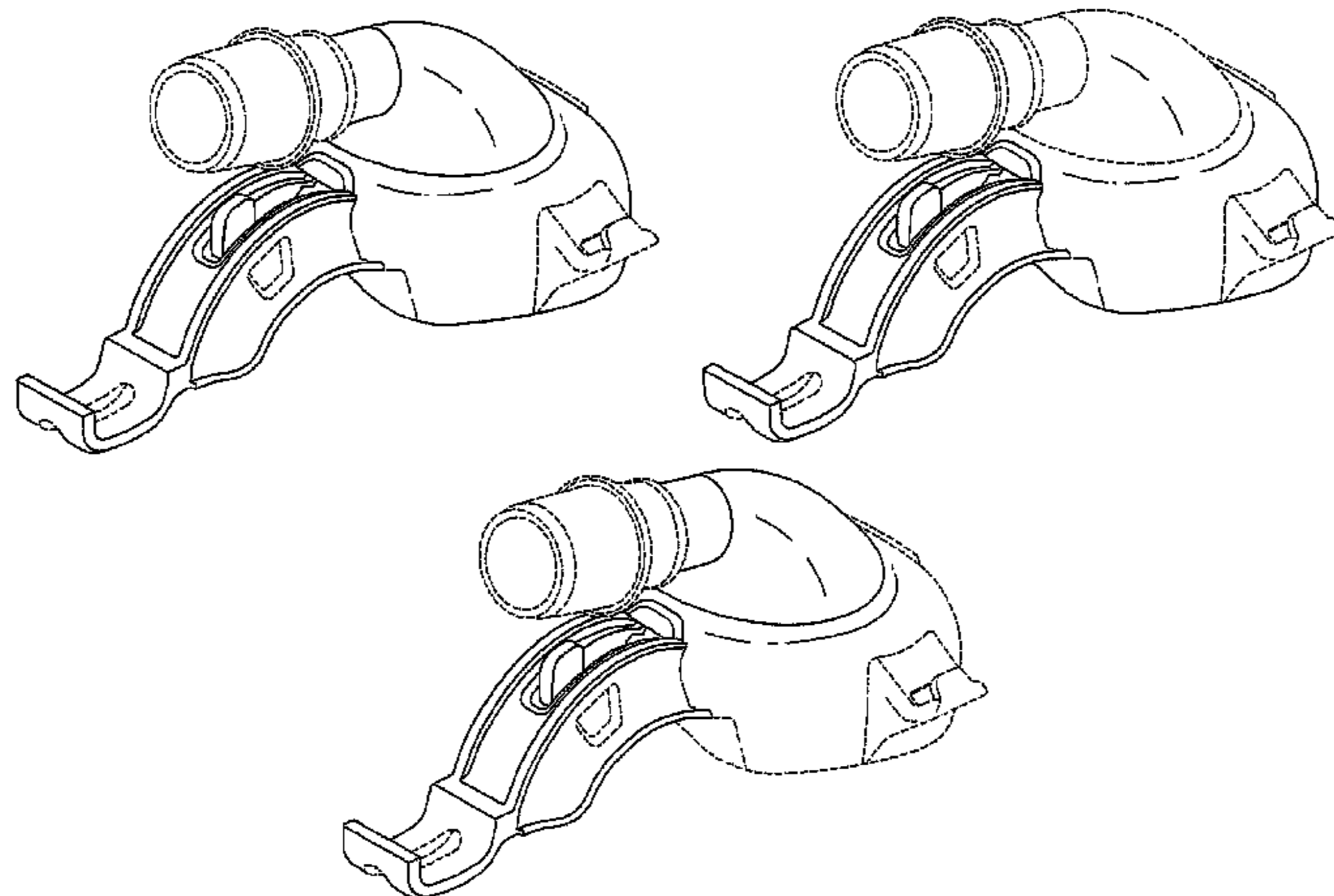
FIG. 19 is a back view thereof;

FIG. 20 is a bottom view thereof; and,

FIG. 21 is a top view.

The portions of the Figures shown in phantom lines are not part of the claimed design but are for illustration only.

1 Claim, 9 Drawing Sheets



US D583,931 S

U.S. PATENT DOCUMENTS					
			4,821,713 A	4/1989	Bauman 128/205.13
781,516 A	1/1905	Guthrie, Jr.	4,841,953 A	6/1989	Dodrill 128/202.27
812,706 A	2/1906	Warbasse	4,848,334 A	7/1989	Bellm 128/207.11
844,097 A	2/1907	Caldwell	4,848,366 A	7/1989	Aita et al. 128/863
1,048,491 A	12/1912	Butcher	4,907,584 A	3/1990	McGinnis 128/206.24
1,081,745 A	12/1913	Johnston et al.	4,910,806 A	3/1990	Baker et al. 2/452
1,192,186 A	7/1916	Greene	4,919,128 A	4/1990	Kopala et al. 128/207.18
1,206,045 A	11/1916	Smith	4,938,210 A	7/1990	Shene 128/203.12
1,632,449 A	6/1927	McKesson	4,938,212 A	7/1990	Snook et al. 128/205.24
1,635,275 A	7/1927	Johnson	4,944,310 A	7/1990	Sullivan 128/848
1,653,572 A	12/1927	Jackson	4,971,051 A	11/1990	Toffolon 128/206.26
1,926,027 A	9/1933	Biggs	4,986,269 A	1/1991	Hakkinen 128/204.23
2,123,353 A	7/1938	Catt	4,989,596 A	2/1991	Macris et al. 128/201.28
2,241,535 A	5/1941	Boothby et al.	4,989,599 A	2/1991	Carter 128/207.18
2,248,477 A	7/1941	Lombard	5,005,568 A	4/1991	Loescher et al. 128/202.28
2,254,854 A	9/1941	O'Connell	5,005,571 A	4/1991	Dietz 128/205.25
2,317,608 A	4/1943	Heidbrink	5,038,776 A	8/1991	Harrison et al. 128/207.11
2,371,965 A	3/1945	Lehmberg	5,042,473 A	8/1991	Lewis 128/205.24
2,376,871 A	5/1945	Fink	5,046,200 A	9/1991	Feder 2/452
2,415,846 A	2/1947	Randall	5,063,922 A	11/1991	Hakkinen 128/200.16
2,438,058 A	3/1948	Kincheloe	5,069,205 A	12/1991	Urso 128/201.24
2,578,621 A	12/1951	Yant	5,109,839 A	5/1992	Blasdell et al. 128/203.12
2,765,788 A	10/1956	Raiche	5,109,840 A	5/1992	Daleiden 128/205.13
2,939,458 A	6/1960	Lundquist	5,117,819 A	6/1992	Servidio et al. 128/204.18
3,013,556 A	12/1961	Galleher, Jr.	5,121,745 A	6/1992	Israel 128/202.28
3,182,659 A	5/1965	Blout	5,133,347 A	7/1992	Huenebeck 128/205.24
3,189,027 A	6/1965	Bartlett, Jr.	5,140,980 A	8/1992	Haughey et al. 128/201.25
3,193,624 A	7/1965	Webb et al.	5,140,982 A	8/1992	Bauman 128/205.13
3,238,943 A	3/1966	Holley	5,159,938 A	11/1992	Laughlin 128/858
3,315,674 A	4/1967	Bloom et al.	5,178,138 A	1/1993	Walstrom et al. 128/200.23
3,330,273 A	7/1967	Bennett	D333,015 S	2/1993	Farmer et al. D29/8
3,330,274 A	7/1967	Bennett	5,231,983 A	8/1993	Matson et al. 128/207.14
3,362,420 A	1/1968	Blackburn, et al.	5,233,978 A	8/1993	Callaway 128/205.25
3,363,833 A	1/1968	Laerdal	5,265,595 A	11/1993	Rudolph 128/204.18
3,556,122 A	1/1971	Laerdal	5,279,289 A	1/1994	Kirk 128/205.23
3,580,051 A	5/1971	Blevins 73/40	5,280,784 A	1/1994	Kohler 128/200.14
3,700,000 A	10/1972	Hesse et al. 137/494	5,311,862 A	5/1994	Blasdell et al. 128/205.25
3,720,235 A	3/1973	Schrock 138/137	5,322,057 A	6/1994	Raabe et al. 128/203.12
3,725,953 A	4/1973	Johnson et al. 2/14 W	5,343,878 A	9/1994	Scarberry et al. 128/898
3,779,164 A	12/1973	Study 101/334	5,357,951 A	10/1994	Ratner 128/205.24
3,982,532 A	9/1976	Halldin et al. 128/146	5,372,130 A	12/1994	Stern et al. 128/205.25
4,077,404 A	3/1978	Elam 128/145.8	5,388,571 A	2/1995	Roberts et al. 128/203.12
4,167,185 A	9/1979	Lewis 128/146.7	5,404,871 A	4/1995	Goodman et al. 128/200.14
4,226,234 A	10/1980	Gunderson 128/205.24	5,419,318 A	5/1995	Tayebi 128/205.27
4,245,632 A	1/1981	Houston 128/205.13	5,429,126 A	7/1995	Bracken 128/207.11
4,263,908 A	4/1981	Mizerak 128/205.25	5,429,683 A	7/1995	Le Mitoard 128/206.24
4,266,540 A	5/1981	Panzik et al. 128/207.13	5,431,158 A	7/1995	Tirota 128/206.21
4,304,229 A	12/1981	Curtin 128/201.11	5,438,981 A	8/1995	Starr et al. 128/205.24
4,328,797 A	5/1982	Rollins, III et al. 128/202.27	5,441,046 A	8/1995	Starr et al. 128/207.11
4,347,205 A	8/1982	Stewart 264/130	5,477,852 A	12/1995	Landis et al. 128/207.18
4,354,488 A	10/1982	Bartos 128/205.25	5,479,920 A	1/1996	Piper et al. 128/204.23
4,402,316 A	9/1983	Gadberry 128/201.15	5,488,948 A	2/1996	Dubruille et al. 128/207.11
4,412,537 A	11/1983	Tiger 128/204.17	5,492,116 A	2/1996	Scarberry et al. 128/206.24
4,467,799 A	8/1984	Steinberg 128/206.14	5,501,214 A	3/1996	Sabo 128/205.24
4,522,639 A	6/1985	Ansire et al. 55/314	5,509,404 A	4/1996	Lloyd et al. 128/200.14
4,558,710 A	12/1985	Eichler 128/720	5,517,986 A	5/1996	Starr et al. 128/206.24
4,559,940 A	12/1985	McGinnis 128/206.26	5,538,000 A	7/1996	Rudolph 128/205.25
4,616,647 A	10/1986	McCreadie 128/206.19	5,540,223 A	7/1996	Starr et al. 128/205.25
4,622,964 A	11/1986	Flynn 128/205.24	5,546,936 A	8/1996	Virag et al. 128/207.14
4,655,213 A	4/1987	Rapoport et al. 128/205.25	5,558,090 A	9/1996	James 128/207.18
4,665,570 A	5/1987	Davis 2/428	RE35,339 E	10/1996	Rapoport 128/204.18
4,671,271 A	6/1987	Bishop et al. 128/206.11	5,560,354 A	10/1996	Berthon-Jones et al. 128/205.25
4,677,975 A	7/1987	Edgar et al. 128/200.14		11/1996	Johnson 128/200.14
4,677,977 A	7/1987	Wilcox 128/206.24	5,570,682 A	11/1996	Starr et al. 128/207.11
H397 H	1/1988	Stark 128/206.24	5,570,689 A	12/1996	Starr et al. D24/110.1
4,739,755 A	4/1988	White et al. 128/206.12	D377,089 S	1/1997	Scarberry et al. 128/206.24
4,770,169 A	9/1988	Schmoegner et al. .. 128/207.13	5,592,938 A	3/1997	Rubsamen et al. 364/509
4,774,941 A	10/1988	Cook 128/205.13	5,608,647 A	7/1997	Baran 128/207.14
4,782,832 A	11/1988	Trimble et al. 128/207.18	5,642,730 A	7/1997	Starr et al. 128/205.24
4,799,477 A	1/1989	Lewis 128/206.24	5,647,355 A	7/1997	Barnett et al. 128/206.24
4,809,692 A	3/1989	Nowacki et al. 128/206.24	5,647,357 A	7/1997	Griffiths 128/206.24
4,819,629 A	4/1989	Jonson 128/203.22	5,649,532 A	7/1997	Oren 128/207.12
			5,649,533 A		

US D583,931 S

Page 3

5,655,520 A	8/1997	Howe et al.	128/203.13	2003/0019495 A1	1/2003 Palkon et al.	128/206.21
5,655,527 A	8/1997	Scarberry et al.	128/206.24	FOREIGN PATENT DOCUMENTS		
5,657,752 A	8/1997	Landis et al.	128/207.13	AU	A-41018/97	4/1998
5,662,101 A	9/1997	Ogden et al.	128/205.25	AU	A-89312/98	1/1999
5,666,946 A	9/1997	Langenback	128/200.16	AU	712236	11/1999
5,673,690 A	10/1997	Tayebi et al.	128/206.24	AU	724360	9/2000
D385,960 S	11/1997	Rudolph	D24/110.4	AU	728849	1/2001
5,685,296 A	11/1997	Zdrojkowski et al. ..	128/205.24	CA	1039144	9/1978
5,690,102 A	11/1997	Bertheau et al.	128/207.11	CA	2261790	2/1998
D388,873 S	1/1998	Richards et al.	D24/110.4	CA	2295457	7/2000
5,715,814 A	2/1998	Ebers	128/206.18	CA	2298129	8/2000
5,724,965 A	3/1998	Handke et al.	128/207.13	DE	159396 A	3/1905
5,738,094 A	4/1998	Hoftman	128/206.26	DE	207751	4/1907
5,746,201 A	5/1998	Kidd	128/206.24	DE	459104 C1	4/1928
5,758,642 A	6/1998	Choi	128/206.21	DE	701690 C1	1/1941
5,813,423 A	9/1998	Kirchgeorg	128/202.28	DE	1104122	4/1961
5,832,918 A	11/1998	Pantino	128/205.25	DE	3015279 A1	10/1981
D402,755 S	12/1998	Kwok	D24/110.4	DE	3345067 A1	5/1985
5,884,624 A	3/1999	Barnett et al.	128/206.24	DE	3537505 A1	4/1987
5,887,587 A	3/1999	Groenke	128/207.13	DE	3539073 A1	5/1987
5,896,857 A	4/1999	Hely et al.	128/205.24	DE	4004157 C1	4/1991
5,921,239 A	7/1999	McCall et al.	128/205.25	DE	4343205 A1	6/1995
D412,745 S	8/1999	Scheu	D24/110.4	DE	19735359 A1	1/1998
5,937,851 A	8/1999	Serowski et al.	128/202.27	DE	29723101 U	5/1998
5,937,855 A	8/1999	Zdrojkowski et al. ..	128/205.24	DE	3707952 A1	9/1998
5,941,245 A	8/1999	Hannah et al.	128/207.11	DE	29810846 U	12/1999
5,954,052 A	9/1999	McDonald et al.	128/206.27	DE	19962515 A1	7/2001
5,957,132 A	9/1999	McDonald et al.	128/207.11	EP	0054154	10/1981
6,029,660 A	2/2000	Calluud et al.	128/203.12	EP	0178925	10/1985
6,035,852 A	3/2000	Hoftman	128/206.26	EP	0252052	7/1987
6,039,044 A	3/2000	Sullivan	128/205.25	EP	0264772 A1	10/1987
D428,987 S	8/2000	Kwok	D24/110.4	EP	0386605 A1	2/1990
D428,988 S	8/2000	Smart	D24/110.4	EP	0427474 A2	11/1990
6,112,746 A	9/2000	Kwok et al.	128/207.13	EP	0462701 A1	5/1991
6,119,693 A	9/2000	Kwok et al.	128/207.11	EP	0602424 B1	11/1993
6,119,694 A	9/2000	Correa et al.	128/207.13	EP	0608684 A1	1/1994
6,123,071 A	9/2000	Berthon-Jones et al.	128/204.18	EP	0697225 B1	7/1995
6,123,082 A	9/2000	Berthon-Jones	128/863	EP	0747078	6/1996
D435,650 S	12/2000	Kwok	D24/110.4	EP	0821978 A2	7/1997
6,189,532 B1	2/2001	Hely et al.	128/205.24	EP	1 027 905 A2	8/2000
6,192,866 B1	2/2001	Araki et al.	123/479	FR	1 100 270	5/1954
6,196,223 B1	3/2001	Belfer et al.	128/206.25	FR	2574657 A1	6/1986
D443,355 S *	6/2001	Gunaratnam et al.	D24/110.4	FR	2658725 A1	8/1991
6,357,440 B1	3/2002	Hansen et al.	128/206.19	FR	2749176 A1	12/1997
6,357,441 B1	3/2002	Kwok et al.	128/207.13	GB	848215	9/1960
6,374,826 B1	4/2002	Gunaratnam et al.	128/206.27	GB	1395391	5/1975
6,412,487 B1	7/2002	Gunaratnam et al.	128/206.24	GB	1467828	3/1977
6,422,238 B1	7/2002	Lithgow	128/207.11	GB	2145335 A	3/1985
6,439,230 B1	8/2002	Gunaratnam et al.	128/206.21	GB	2164569	3/1986
D464,427 S *	10/2002	Smart	D24/110.1	GB	2147506 A	4/1987
6,463,931 B1	10/2002	Kwok et al.	128/207.11	GB	2147506 A	4/1987
6,467,483 B1	10/2002	Kopacko et al.		GB	2267648 A	7/1996
D468,421 S *	1/2003	Smart	D24/110.1	JP	9216240 A	8/1997
D468,823 S *	1/2003	Smart	D24/110.1	WO	WO 80/01044	5/1980
2001/0035188 A1	11/2001	Gleason et al.	128/205.25	WO	WO 82/03548	10/1982
2002/0005198 A1	1/2002	Kwok et al.	128/205.25	WO	WO 86/06969	12/1986
2002/0005201 A1	1/2002	Gradon et al.	128/207.11	WO	WO 87/01950	4/1987
2002/0014241 A1	2/2002	Gradon et al.	128/205.25	WO	WO 91/03277	3/1991
2002/0023649 A1	2/2002	Gunaratnam et al.	128/205.25	WO	WO 92/15353	9/1992
2002/0023650 A1	2/2002	Gunaratnam et al.	128/205.25	WO	WO 92/20395	11/1992
2002/0026934 A1	3/2002	Lithgow et al.	128/97.1	WO	WO 93/01854	2/1993
2002/0029780 A1	3/2002	Frater et al.	128/206.24	WO	WO 94/02190	2/1994
2002/0029781 A1	3/2002	Kwok et al.	128/207.13	WO	WO 94/16759	8/1994
2002/0083948 A1	7/2002	Kwok et al.	128/206.24	WO	WO 94/20051	9/1994
2002/0104540 A1	8/2002	Kwok et al.	128/205.25	WO	WO 94/20051	9/1994
2002/0108613 A1	8/2002	Gunaratnam et al.	128/205.25	WO	WO 95/02428	1/1995
2002/0148473 A1	10/2002	Kwok et al.	128/207.11	WO	WO 96/17643	6/1996
2002/0157672 A1	10/2002	Gunaratnam et al.	128/205.25	WO	WO 96/25983	8/1996
				WO	WO 96/39206	12/1996
				WO	WO 97/07847	3/1997
				WO	WO 97/41911	11/1997
				WO	WO 98/04310	2/1998
				WO	WO 98/11930	3/1998

US D583,931 S

Page 4

WO	WO 98/18514	5/1998
WO	WO 98/24499	6/1998
WO	WO 98/26829	6/1998
WO	WO 98/26830	6/1998
WO	WO 98/48878	11/1998
WO	WO 00/57942	10/2000
WO	WO 00/78381	12/2000

WO	WO 00/78381 A1	12/2000
WO	WO 00/78382 A1	12/2000
WO	WO 00/78383 A1	12/2000
WO	WO 00/78384	12/2000
WO	WO 00/78384 A1	12/2000
WO	WO 02/45784 A1	6/2002

* cited by examiner

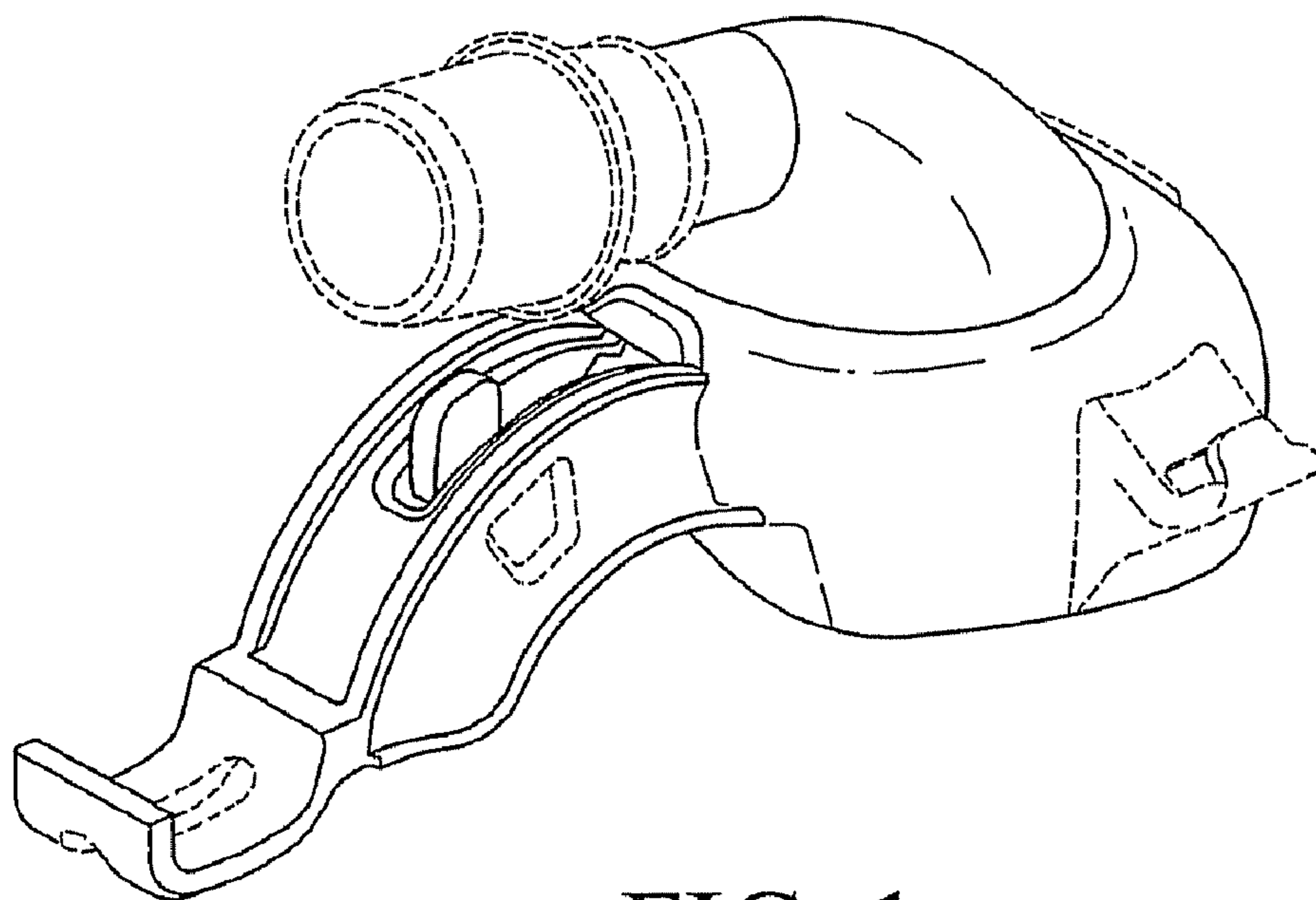


FIG. 1

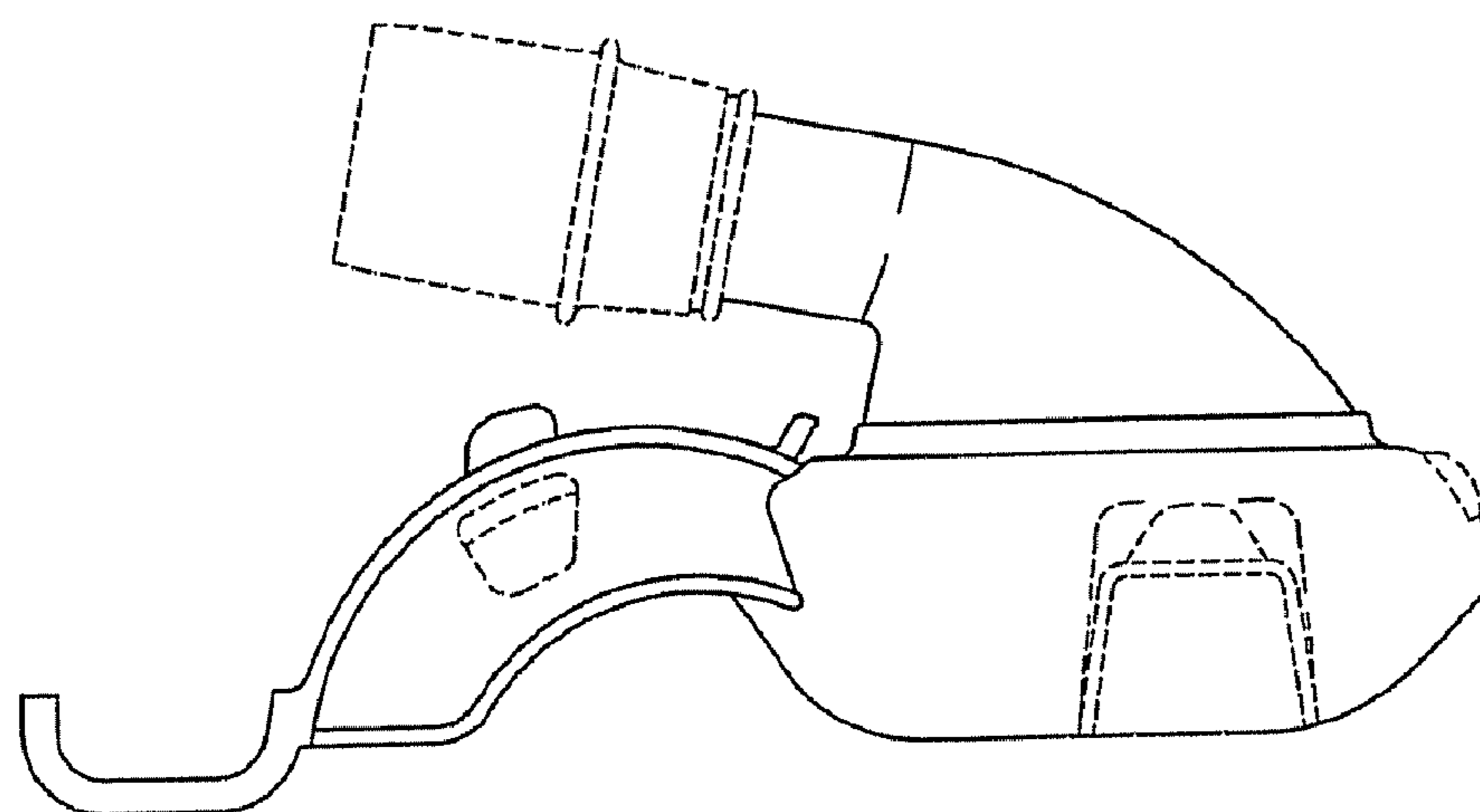


FIG. 2

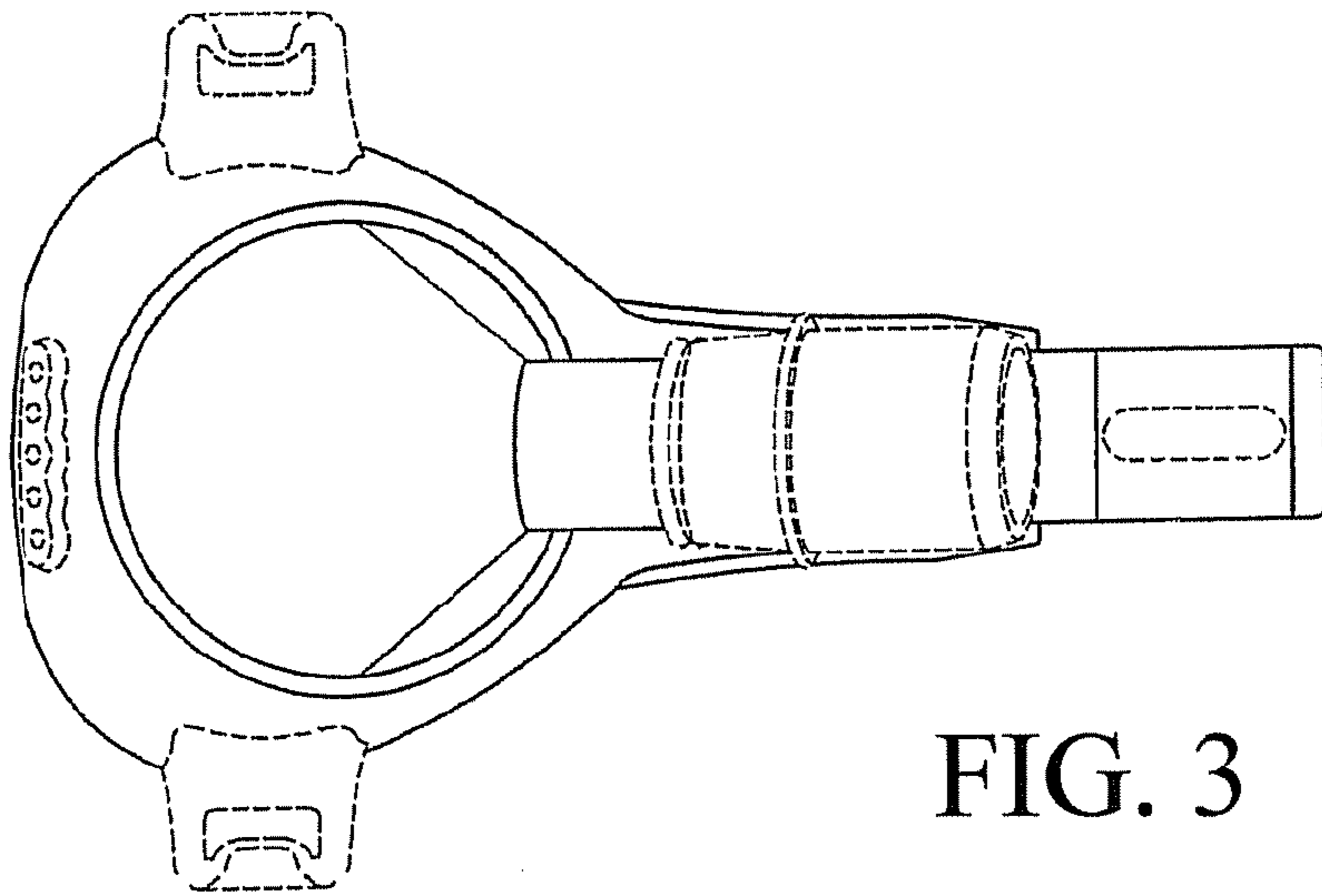


FIG. 3

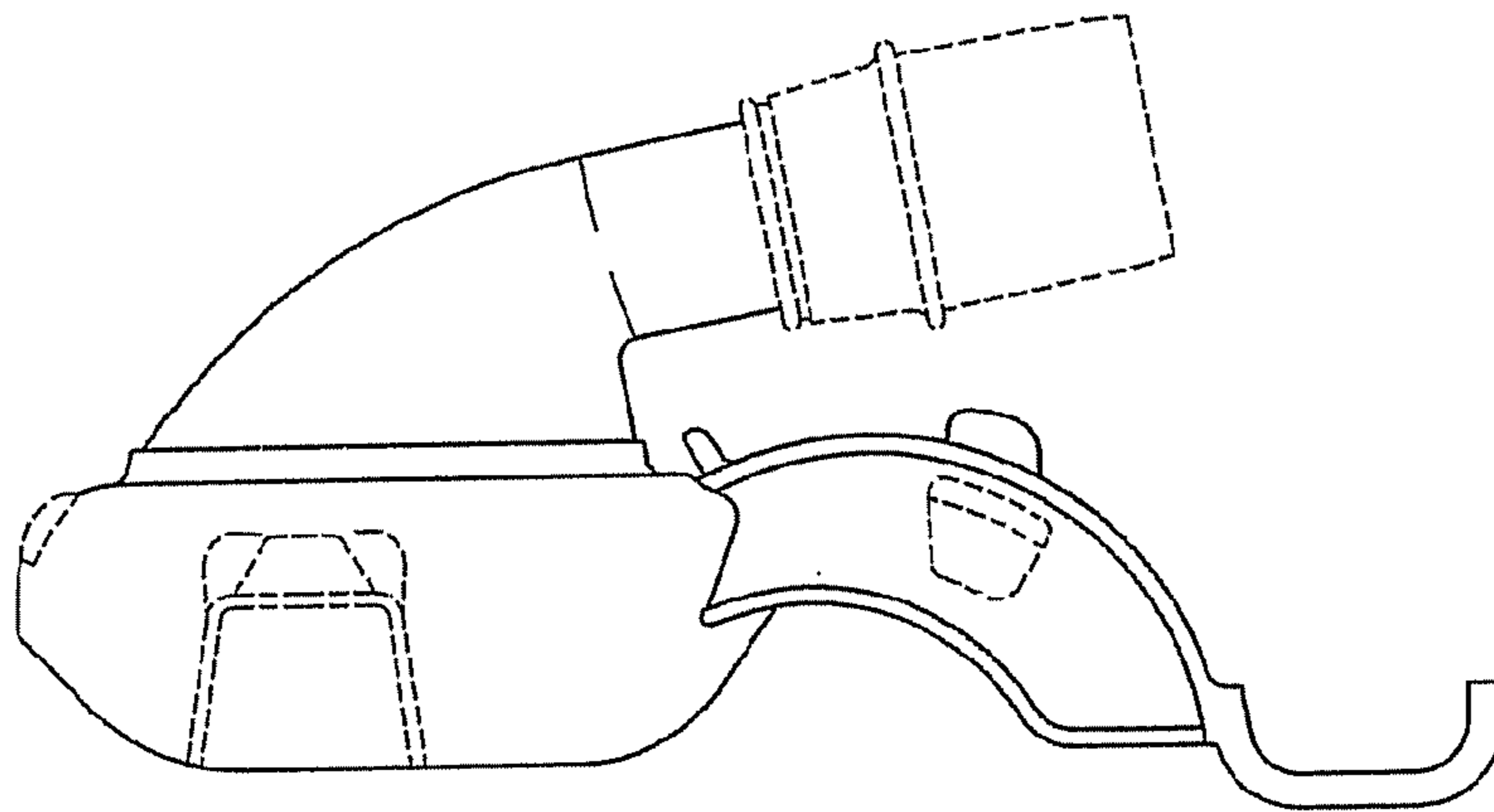


FIG. 4

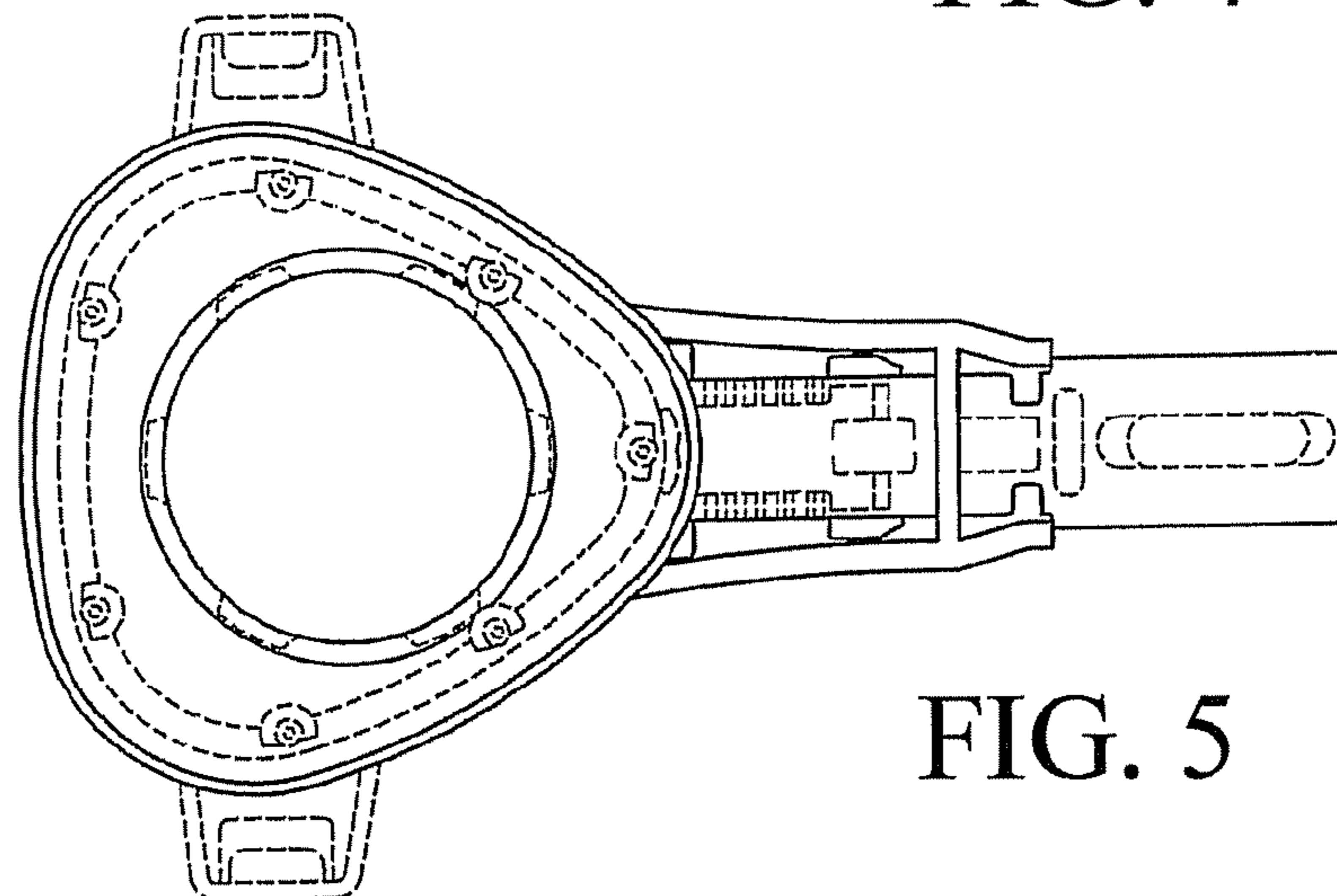


FIG. 5

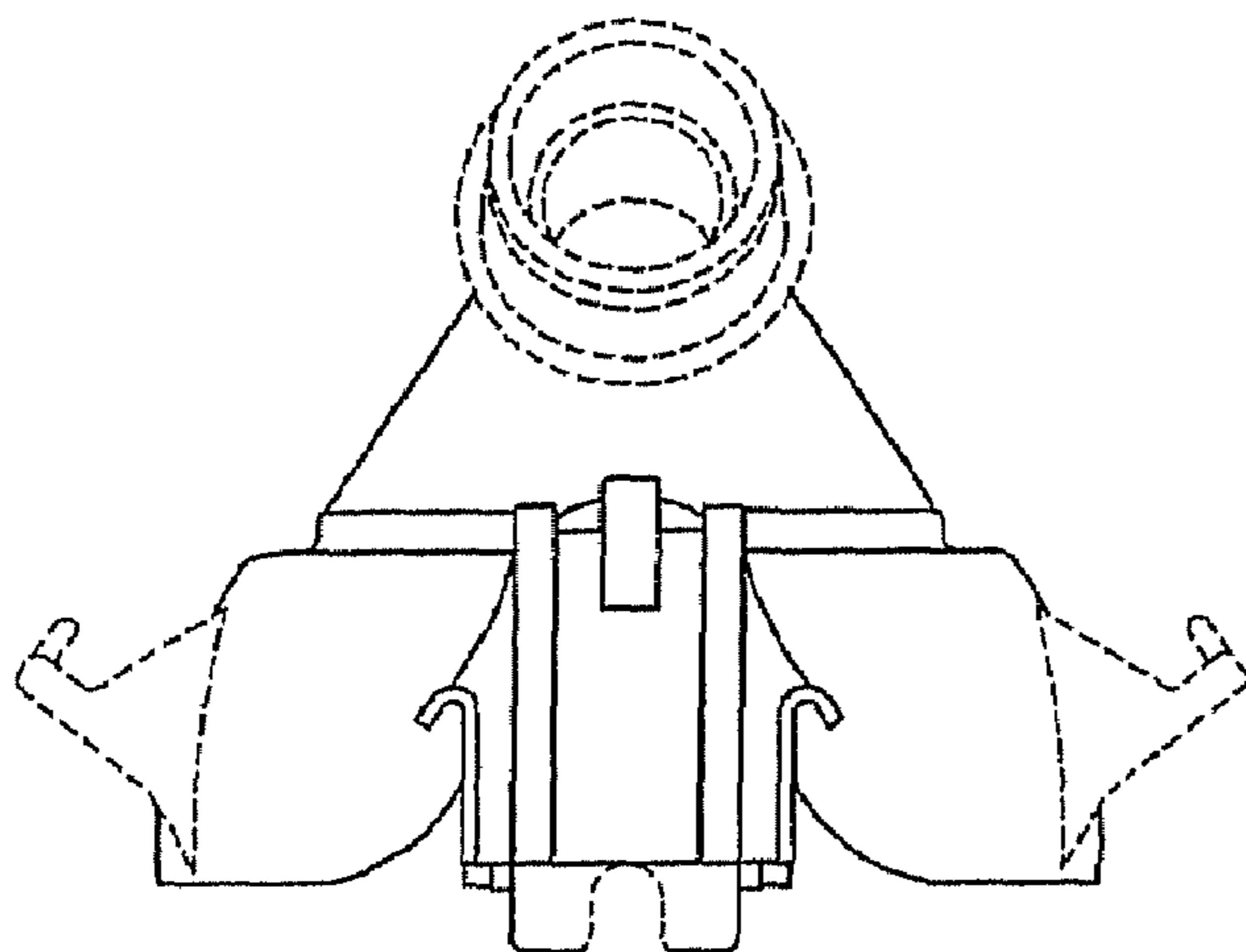


FIG. 6

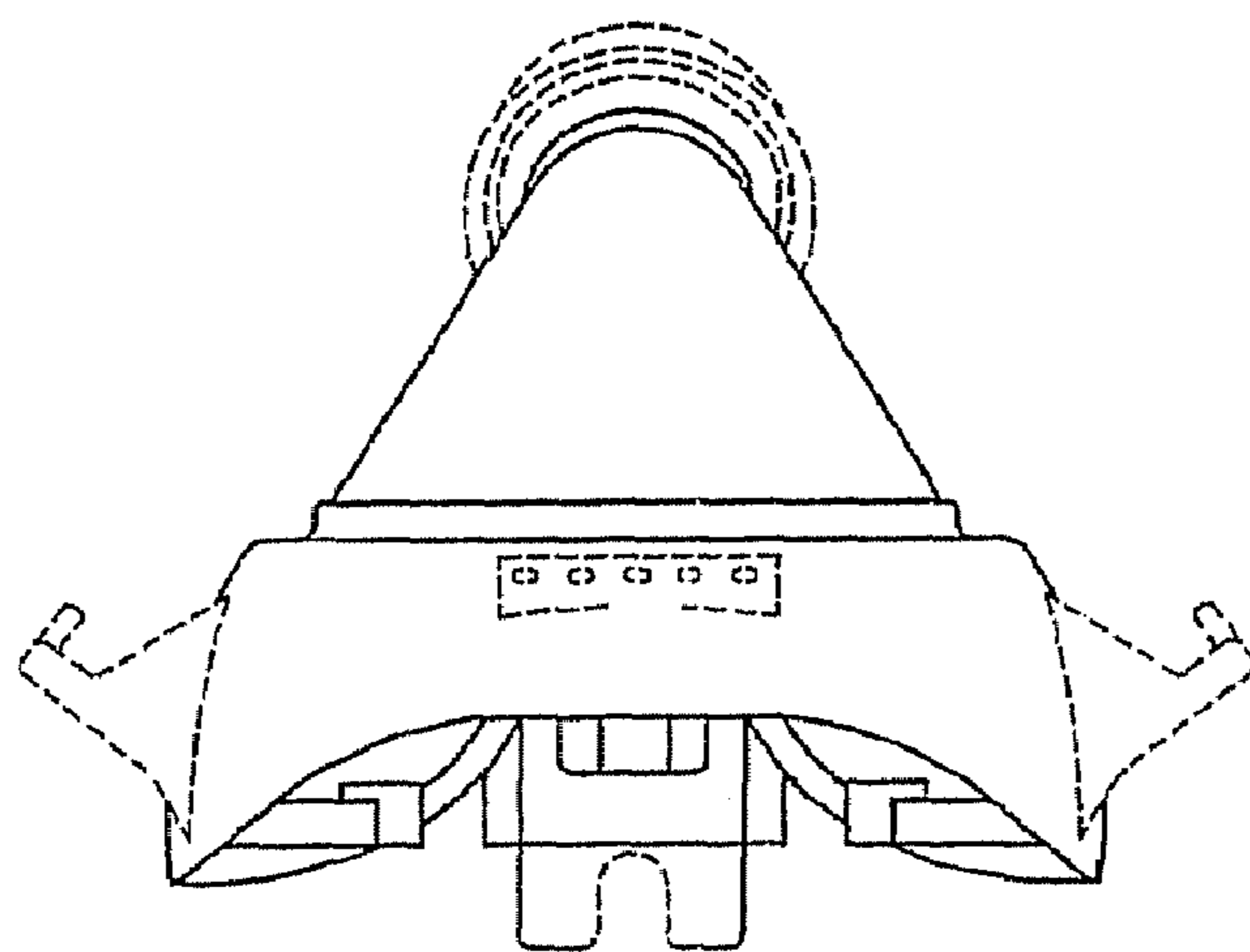


FIG. 7

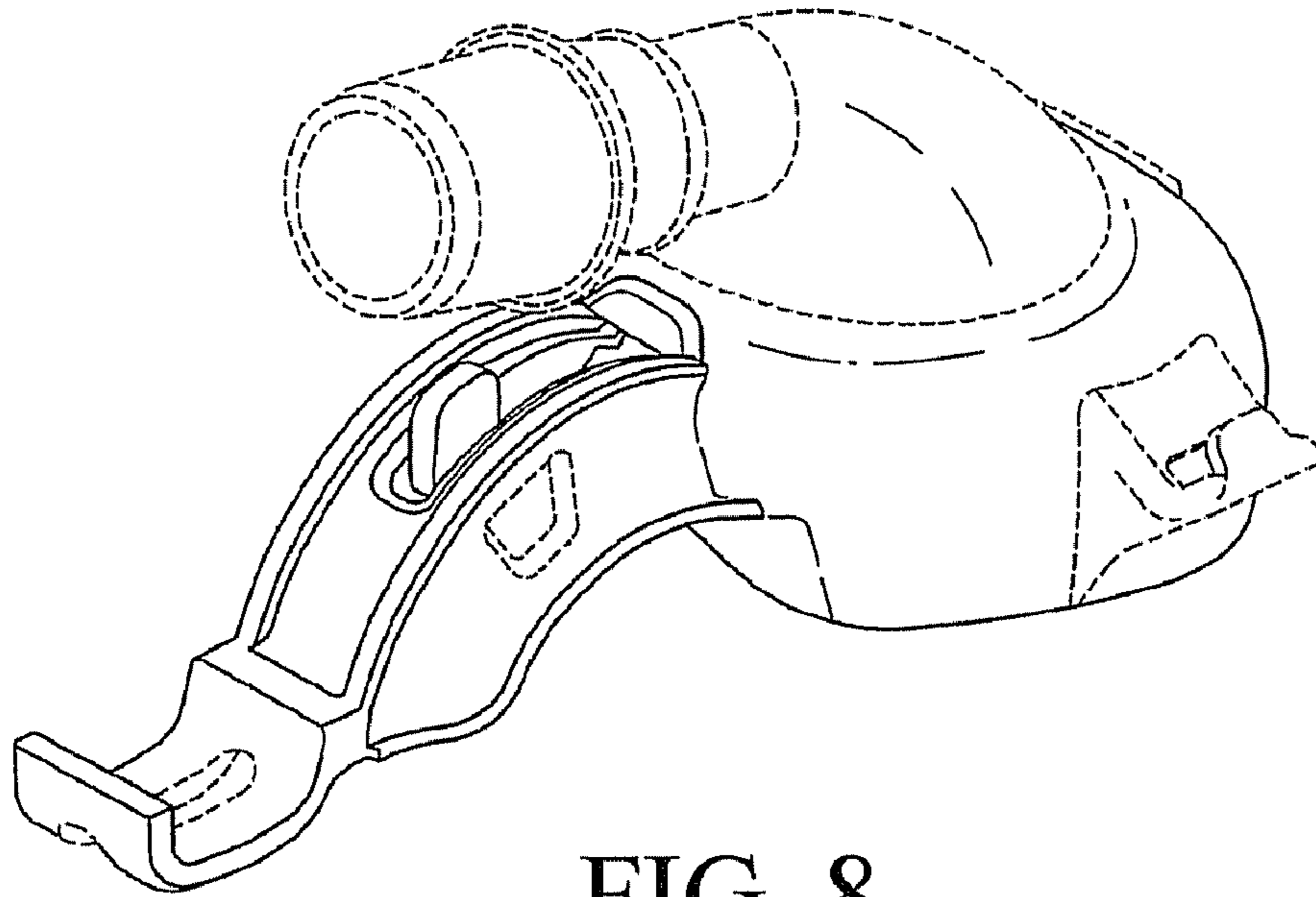


FIG. 8

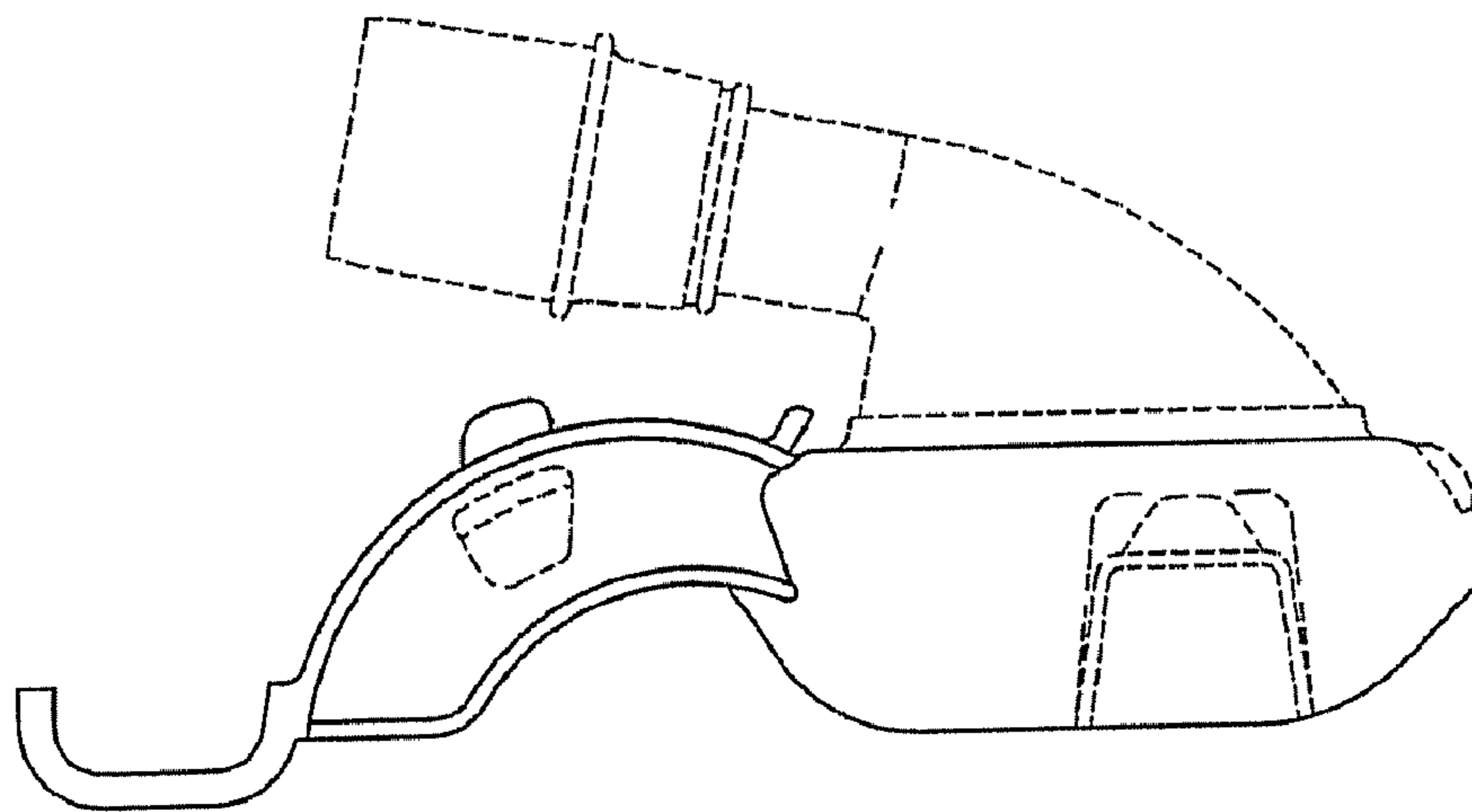


FIG. 9

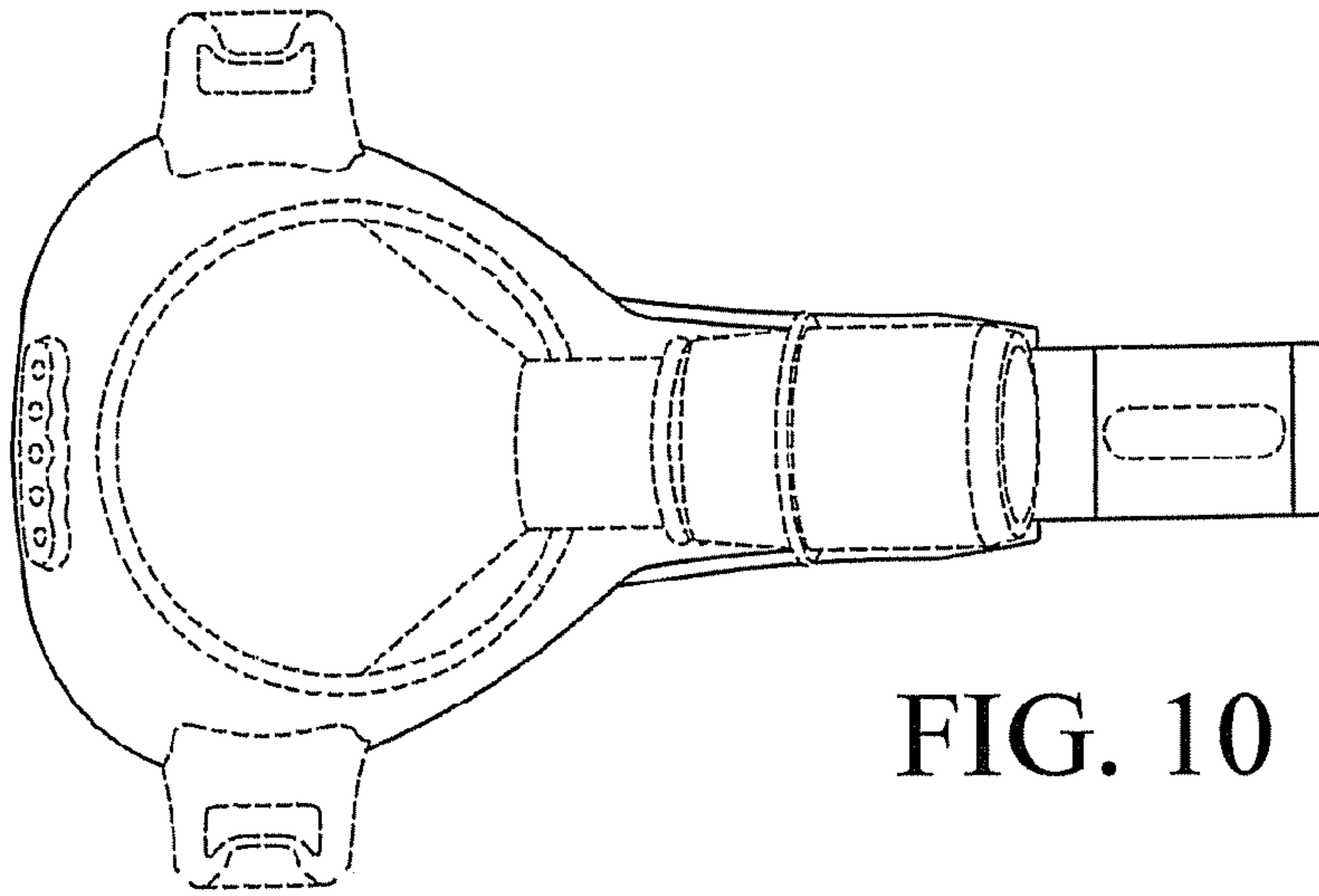


FIG. 10

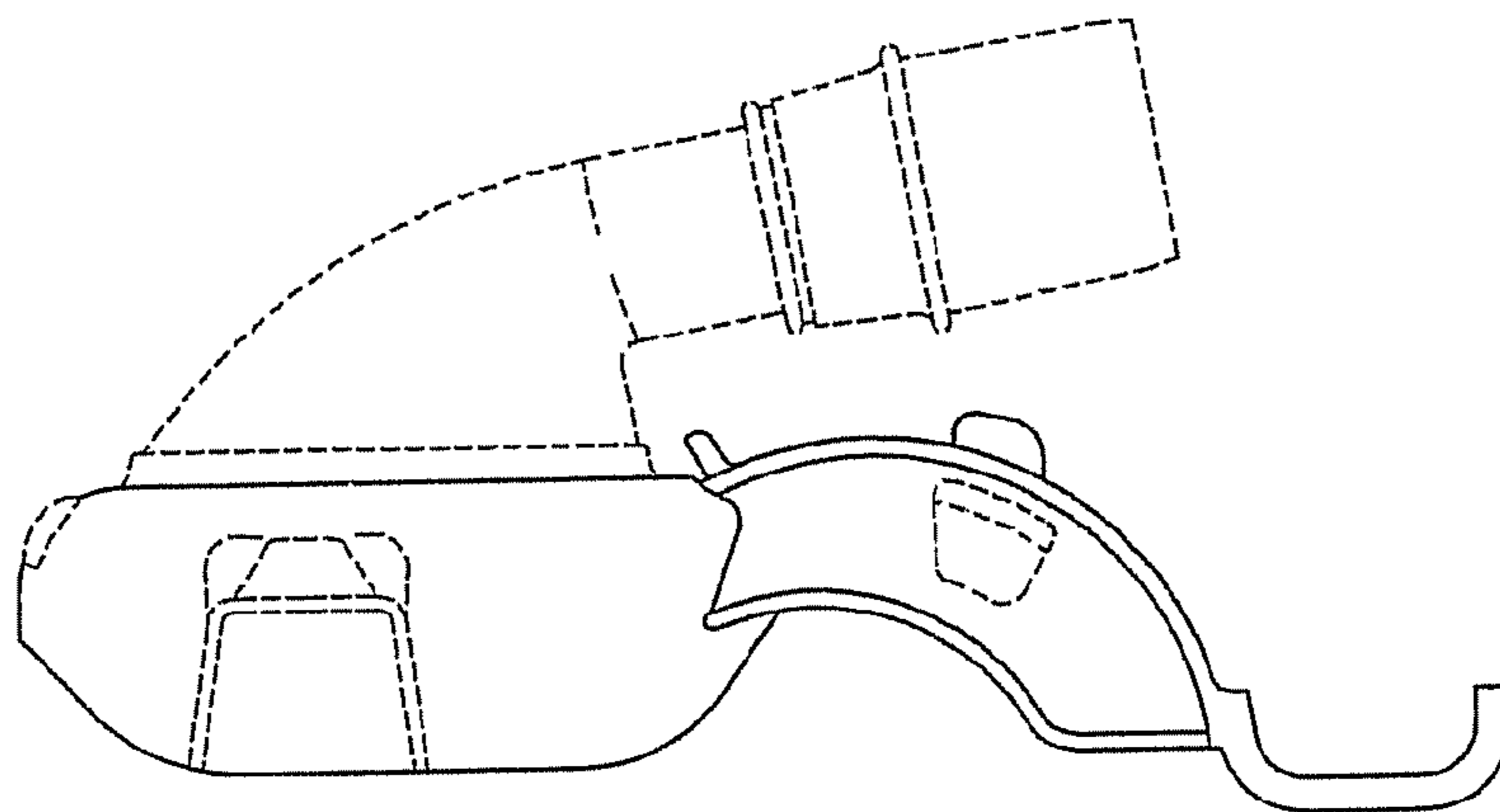


FIG. 11

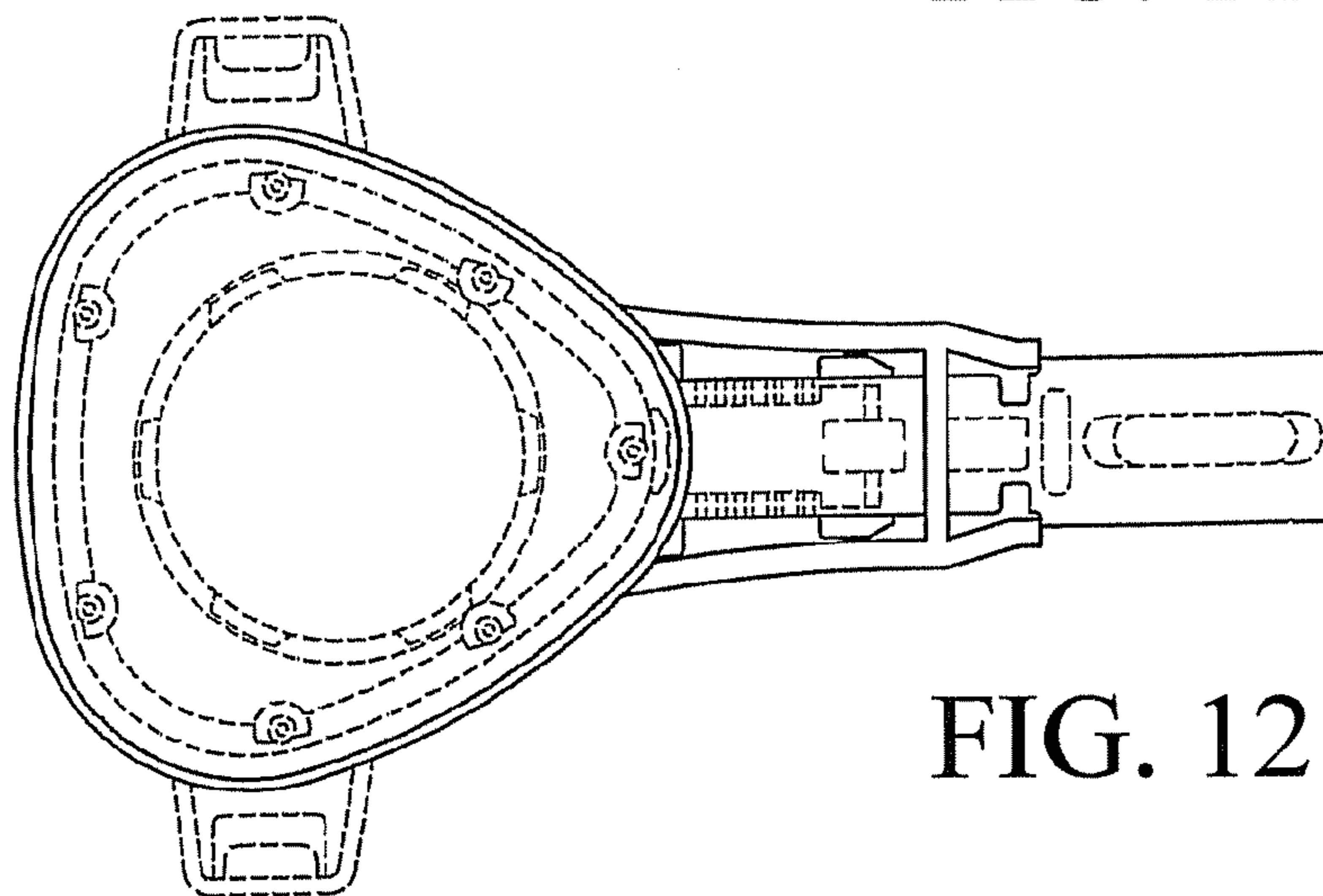


FIG. 12

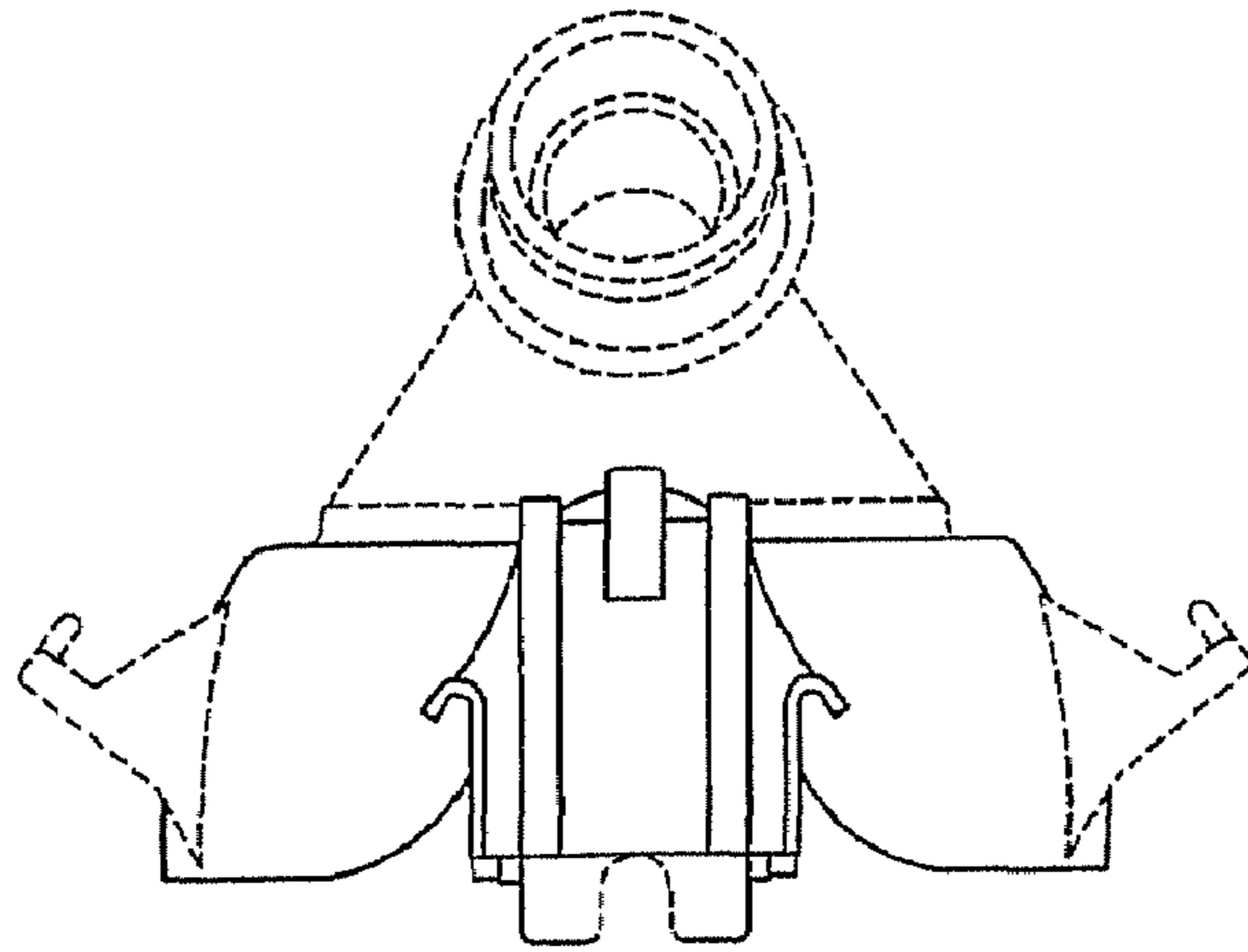


FIG. 13

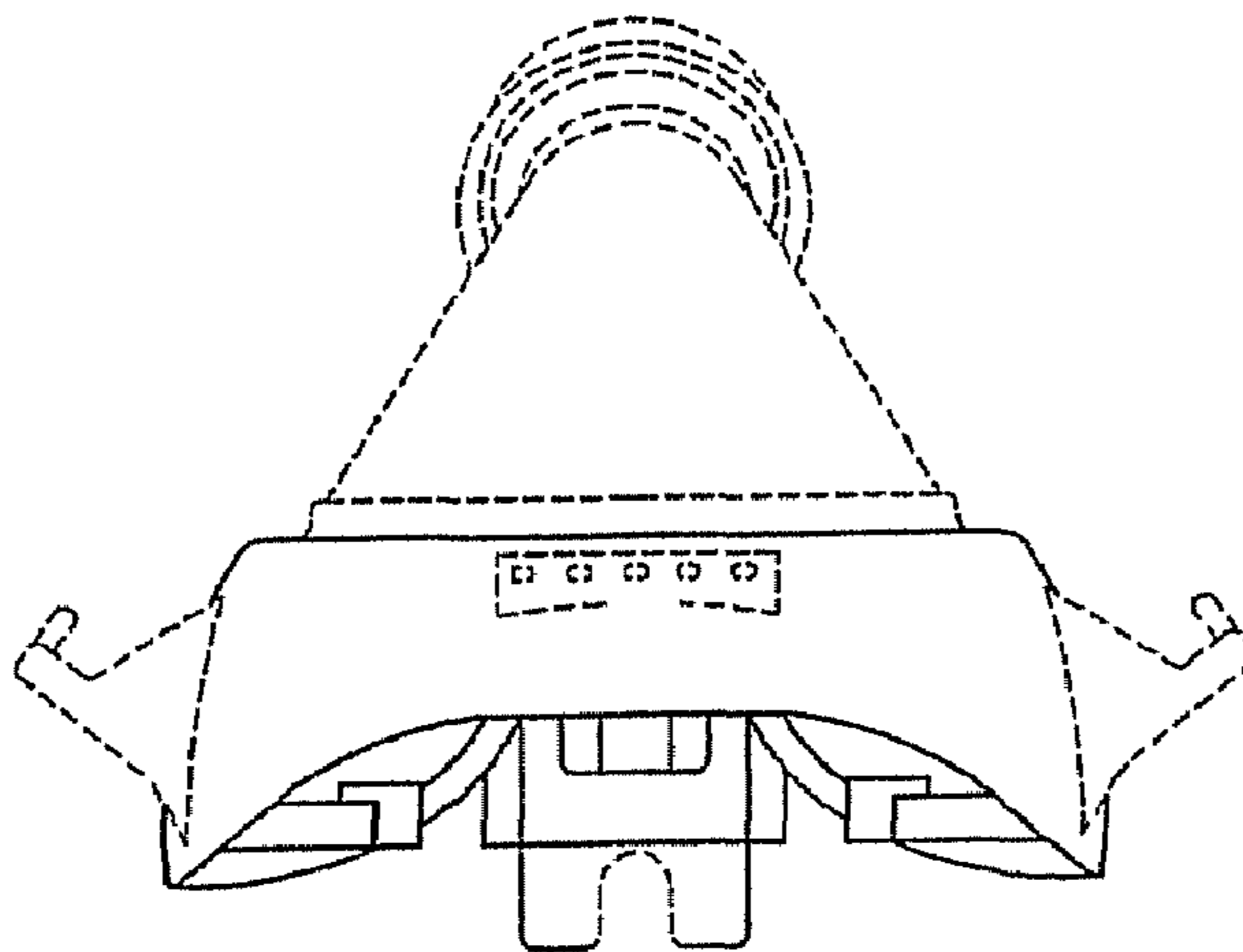


FIG. 14

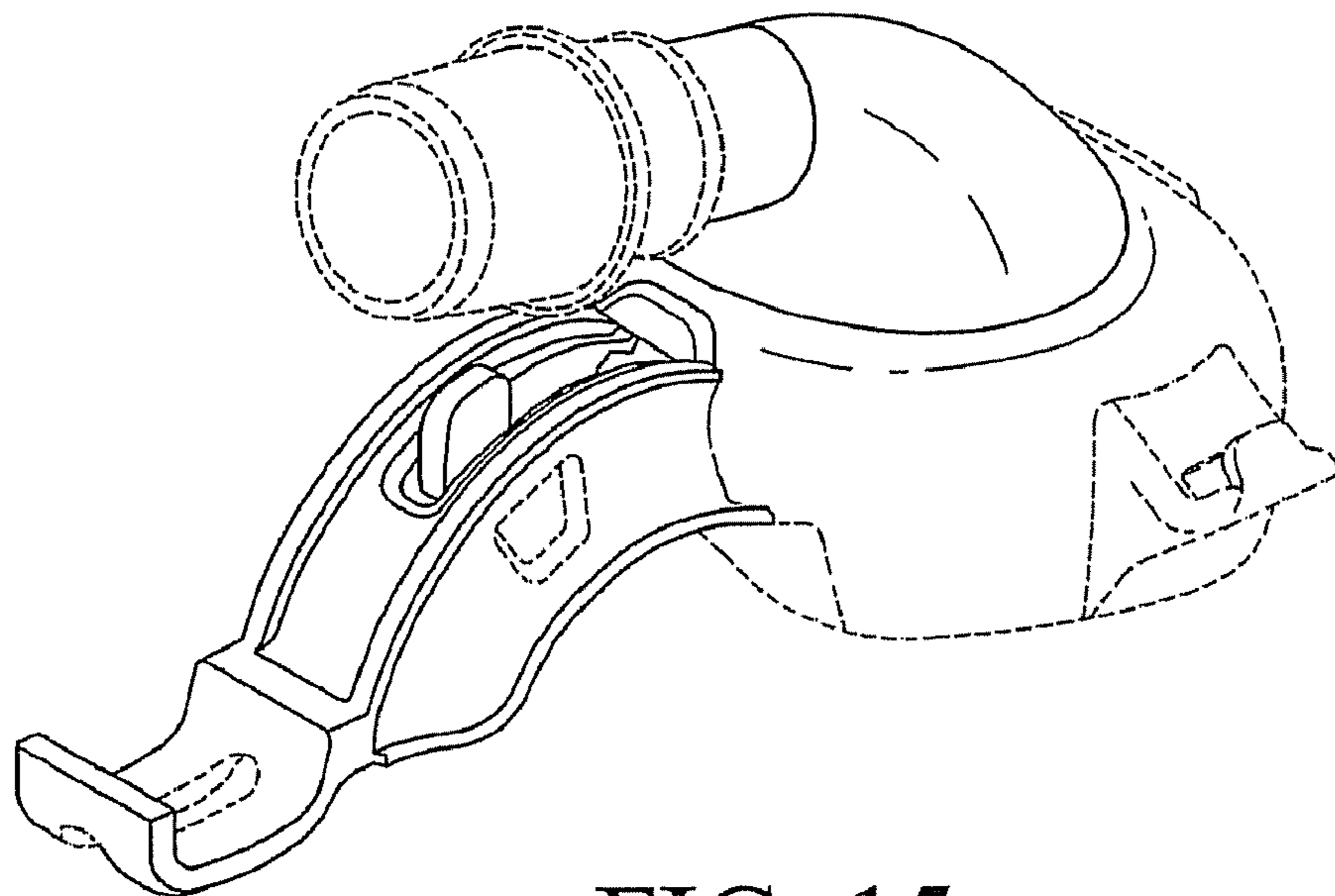


FIG. 15

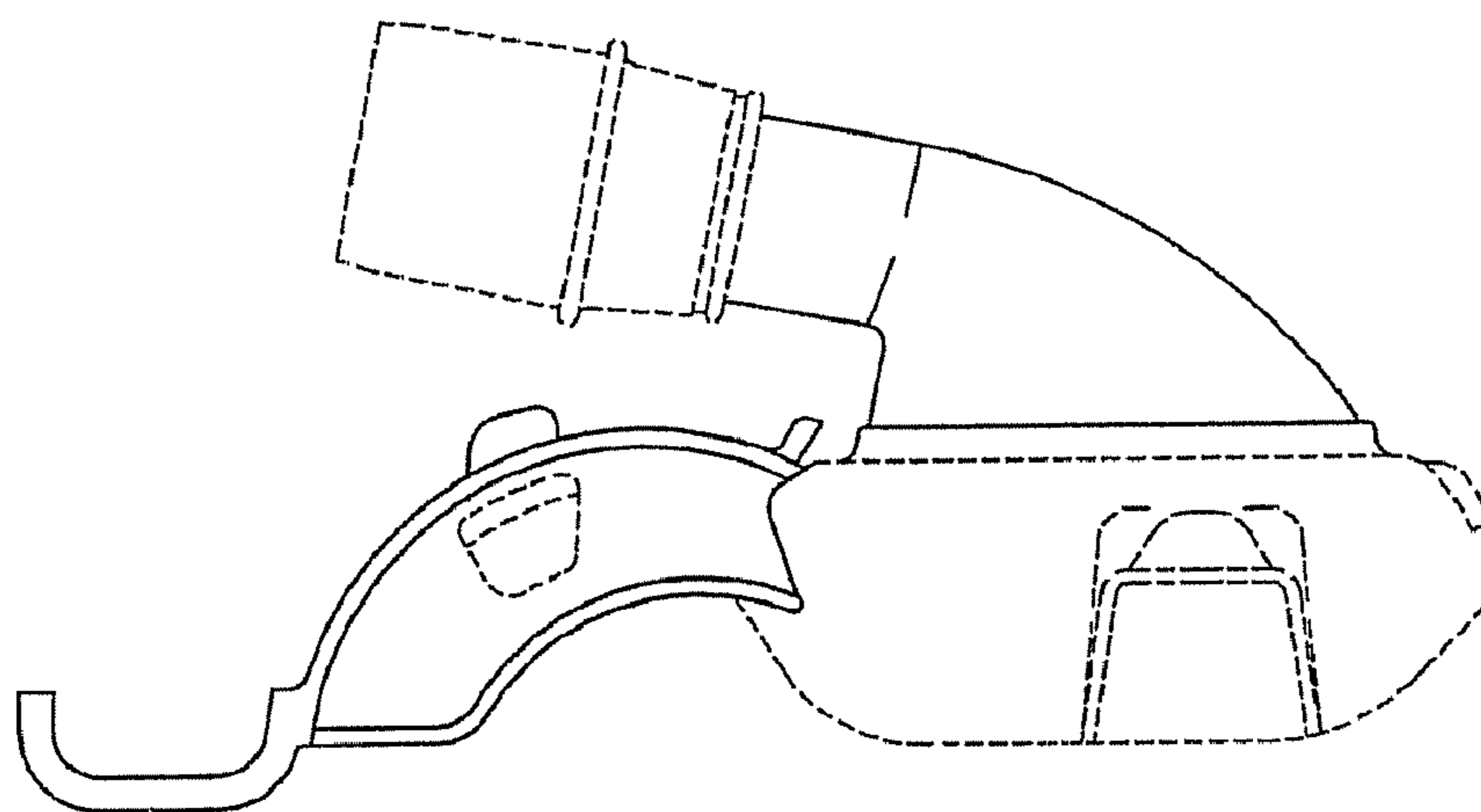


FIG. 16

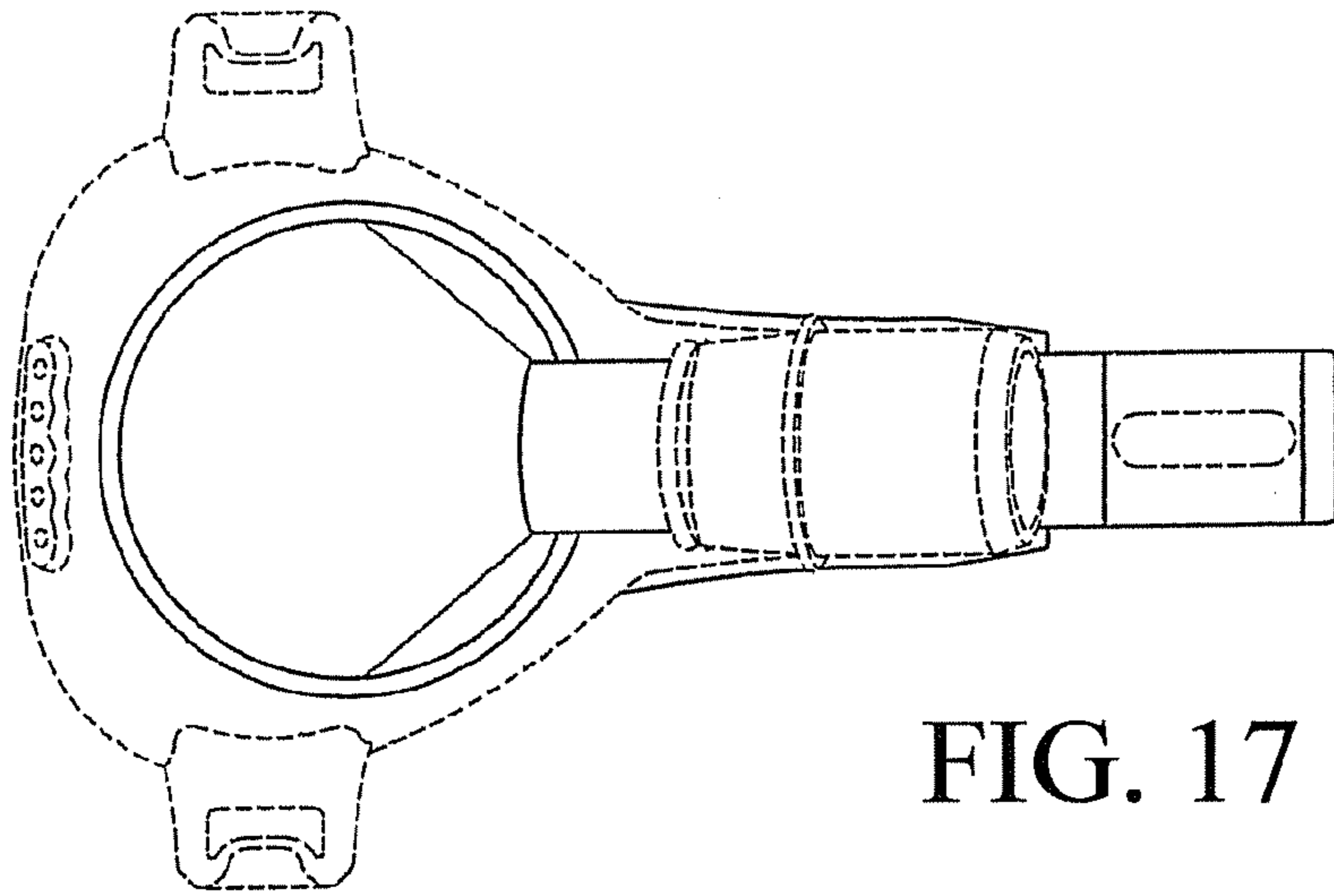


FIG. 17

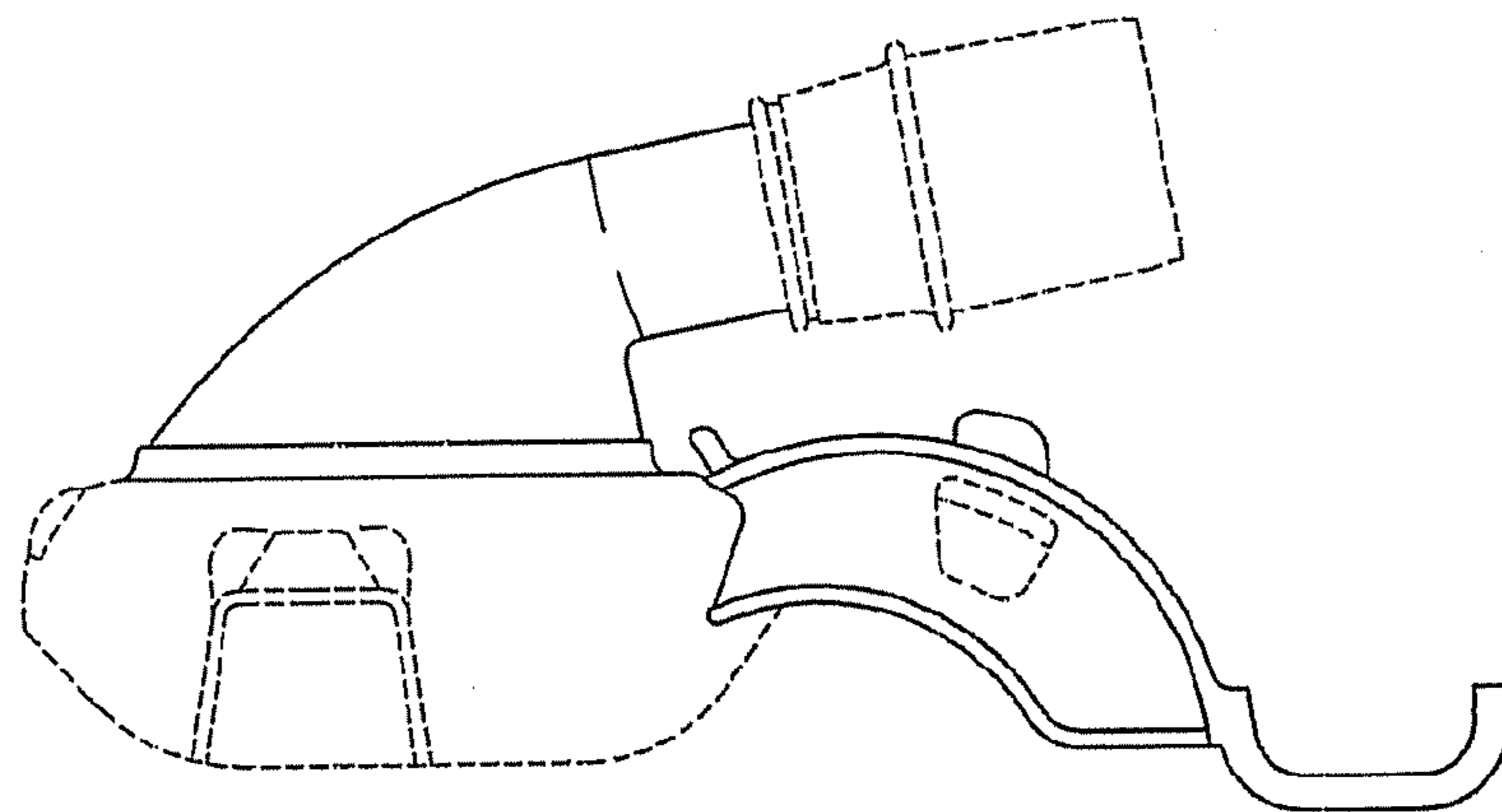


FIG. 18

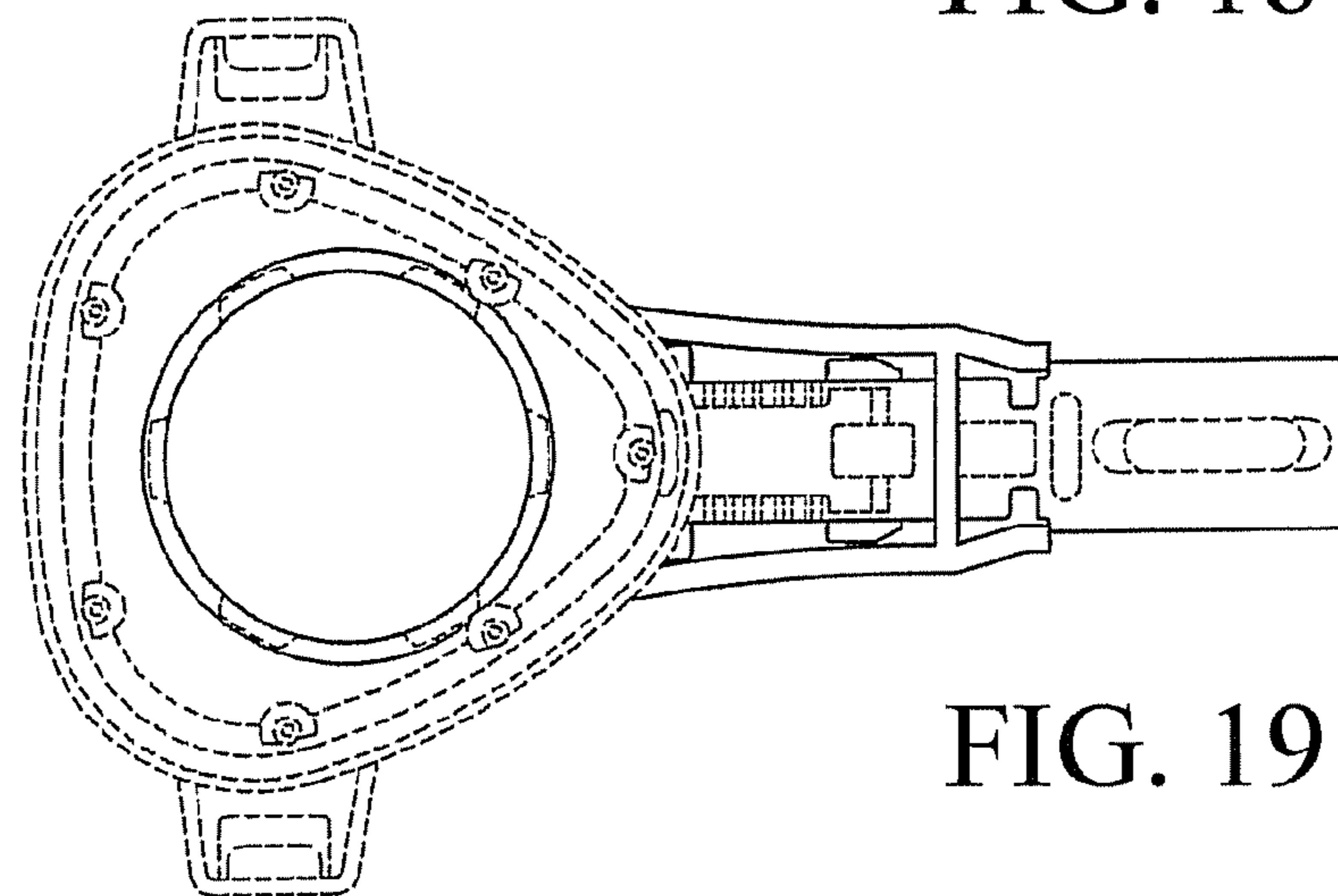


FIG. 19

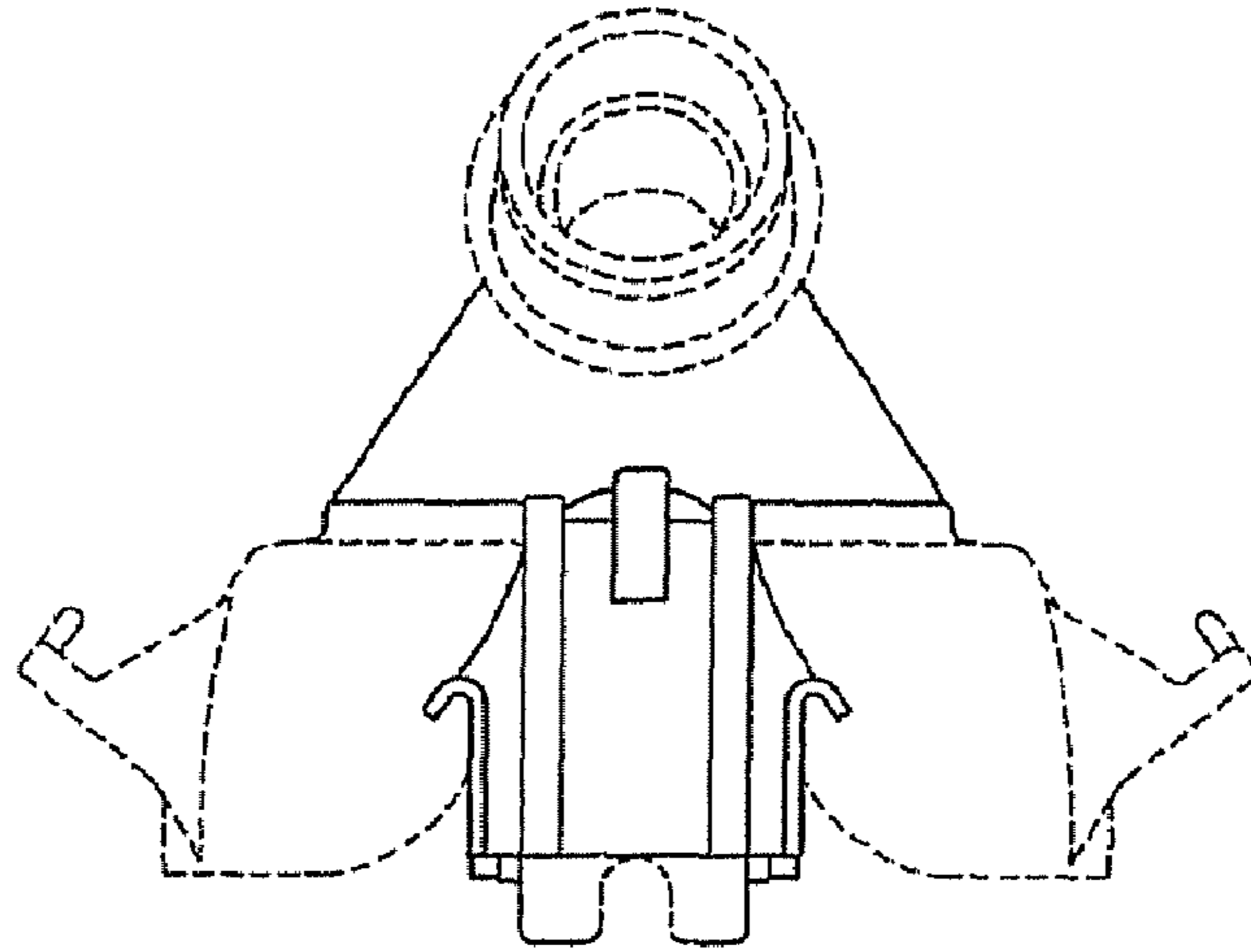


FIG. 20

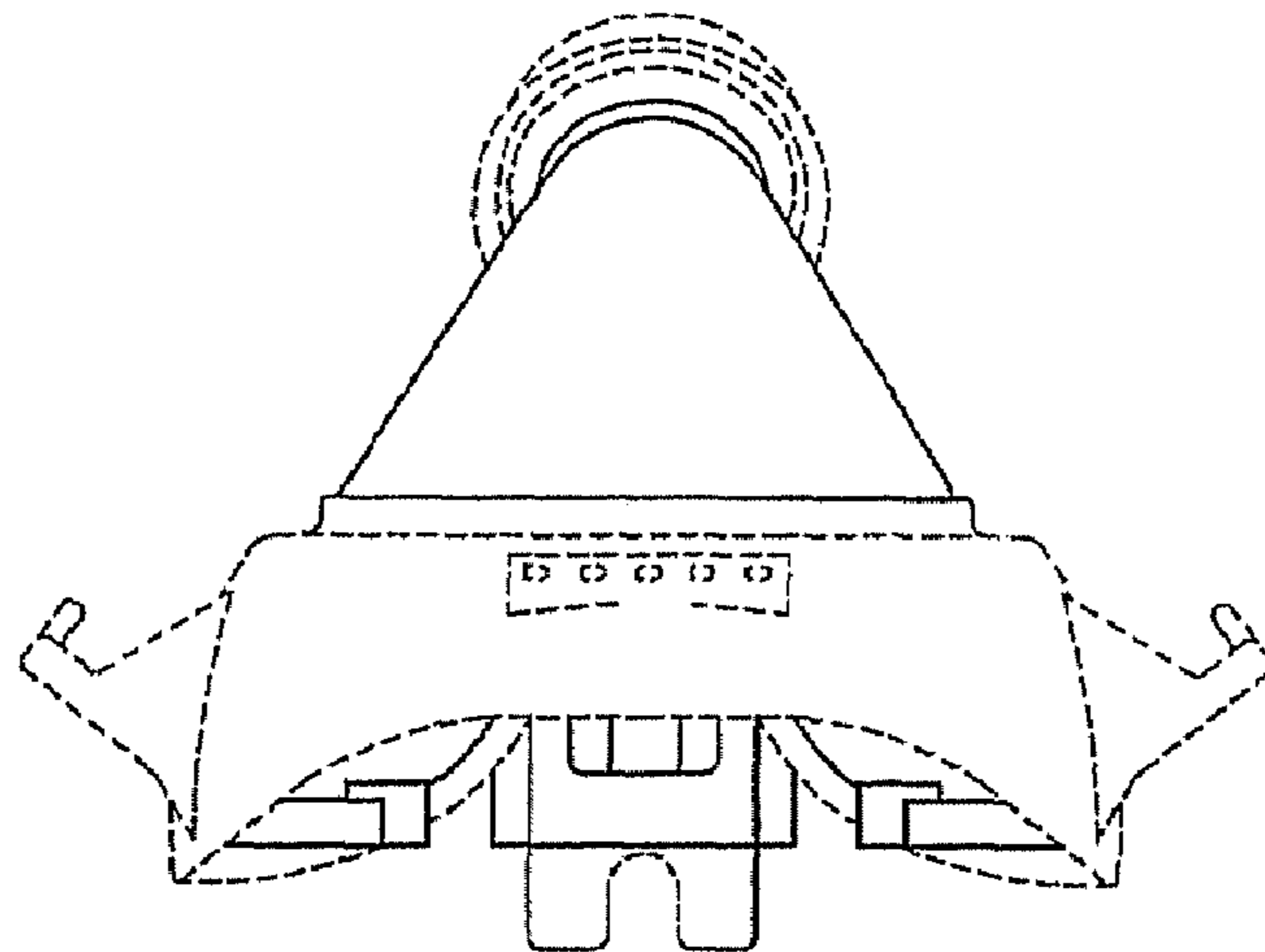


FIG. 21